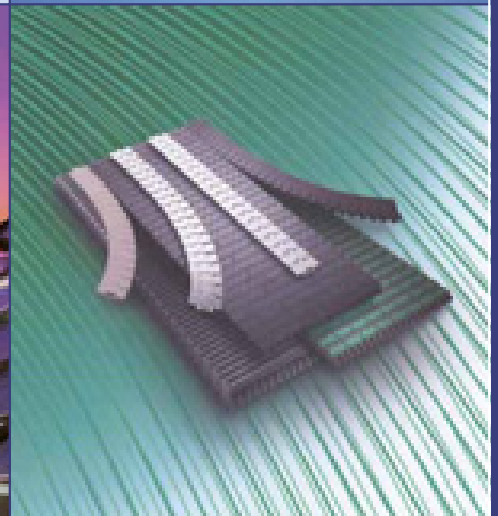
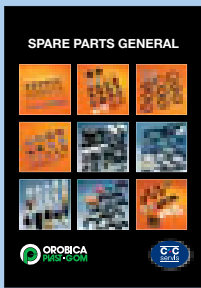


PRODUCT KATALOG

C+C
servis





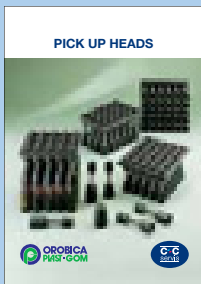
SPARE PARTS GENERAL

1



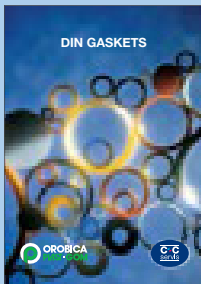
OTHER TOP PARTS

2



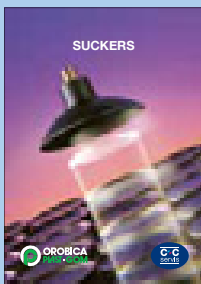
PICK UP HEADS

3



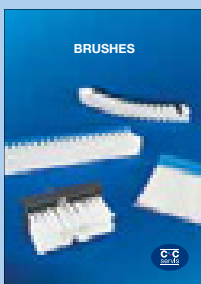
DIN GASKETS

4



SUCKERS

5



BRUSHES

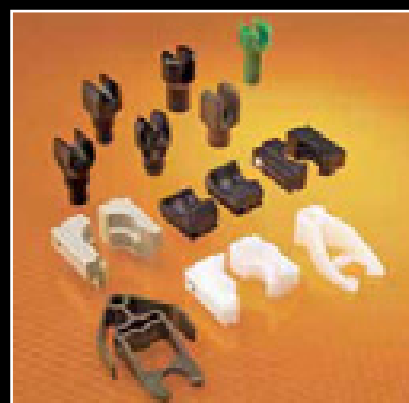
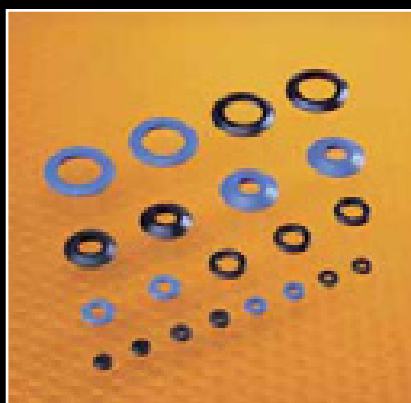
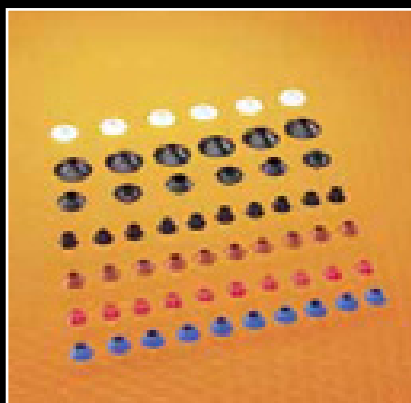
6



PET IR LAMPS

7

SPARE PARTS GENERAL



INDEX
INDEX
INDEX
ÍNDICE

COD.	PAG.	Materiali Material - Matériel Material - Material
028.0001.105	124	AL
028.0001.130	121	PA6+FV
028.0002.105	124	AL
028.0003.105	124	AL
028.0004.105	124	AL
028.0005.105	124	AL
028.0006.105	124	AL
028.0007.105	124	AL
028.0008.105	124	AL
028.0009.105	124	AL
028.0010.130	121	PA6
028.0010.136	124	PA6
028.00101.136	124	PA6
028.0011.105	124	AL
028.0013.020	121	NBR/80
028.0014.004	121	NR/70
028.0015.020	121	NBR/80
028.0016.020	121	NBR/80
028.0017.020	121	NBR/80
028.0019.105	124	AL
028.0020.105	124	AL
028.0021.105	124	AL
028.0023.105	124	AL
028.0024.105	124	AL
028.0025.105	124	AL
028.0026.105	124	AL
028.0027.01.105	124	AL
028.0027.105	121	AL
028.0028.105	124	AL
028.0030.105	124	AL
028.0032.130	122	PA6+FV
028.0033.105	124	AL
028.0034.105	124	AL
028.0035.130	122	PA6
028.0036.130	122	PA6
028.0037.130	122	PA6
028.0038.105	122	AL
028.0039.105	124	AL
028.0041.105	124	AL
028.0043.105	124	AL
028.0044.130	122	PA6+FV
028.0047.130	121	PA6
028.0048.130	122	PA6+FV
028.0050.105	124	AL
028.0051.105	124	AL
029.0001.110	124	AISI302
029.0002.110	124	AISI302
029.0003.110	123	AISI302
029.0004.110	123	AISI302
029.0005.110	123	AISI302
029.0006.110	123	AISI302
029.0007.110	124	AISI302
029.0008.110	124	AISI302
029.0009.110	124	AISI302
029.0011.110	124	AISI302
029.0012.110	123	AISI302
029.0013.110	124	AISI302
029.0014.110	124	AISI302
029.0016.110	123	AISI302
029.0017.110	124	AISI302
029.0018.110	124	AISI302
029.0019.110	124	AISI302

COD.	PAG.	Materiali Material - Matériel Material - Material
029.0023.110	124	AISI302
029.0030.110	124	AISI302
029.0032.110	124	AISI302
029.0038.110	124	AISI302
030.0001.101	96	OTTONE
030.0003	97	PA6
030.0023	116	PA6
032.0400	104	FEZN
032.0401	104	FEZN
032.0403	104	FEZN
032.0406	104	FEZN
032.0407	99	FEZN
032.0409	105	FEZN
032.0410	108	FEZN
032.0417	106	FEZN
033.0001	2	NBR/70-EPDM/70- VMQ/70-FKM/70
033.0002	2	NBR/70-EPDM/70- VMQ/70-FKM/70
033.0100	2	NBR/70-EPDM/70- VMQ/70-FKM/70
033.0101	2	NBR/70-EPDM/70- VMQ/70-FKM/70
033.0102	2	NBR/70-EPDM/70- VMQ/70-FKM/70
033.0103	2	NBR/70-EPDM/70- VMQ/70-FKM/70
033.0104	2	NBR/70-EPDM/70- VMQ/70-FKM/70
033.0105	2	NBR/70-EPDM/70- VMQ/70-FKM/70
033.0106	2	NBR/70-EPDM/70- VMQ/70-FKM/70
033.0107	2	NBR/70-EPDM/70- VMQ/70-FKM/70
033.0108	2	NBR/70-EPDM/70- VMQ/70-FKM/70
033.0109	2	NBR/70-EPDM/70- VMQ/70-FKM/70
033.0110	2	NBR/70-EPDM/70- VMQ/70-FKM/70
033.0111	2	NBR/70-EPDM/70- VMQ/70-FKM/70
033.0112	2	NBR/70-EPDM/70- VMQ/70-FKM/70
033.0113	2	NBR/70-EPDM/70- VMQ/70-FKM/70
033.0114	2	NBR/70-EPDM/70- VMQ/70-FKM/70
033.0115	2	NBR/70-EPDM/70- VMQ/70-FKM/70
033.0116	2	NBR/70-EPDM/70- VMQ/70-FKM/70
033.0117	2	NBR/70-EPDM/70- VMQ/70-FKM/70
033.0118	2	NBR/70-EPDM/70- VMQ/70-FKM/70
033.0119	2	NBR/70-EPDM/70- VMQ/70-FKM/70
033.0120	2	NBR/70-EPDM/70- VMQ/70-FKM/70
033.0121	2	NBR/70-EPDM/70-

COD.	PAG.	Materiali Material - Matériel Material - Material
		VMQ/70-FKM/70
033.0122	2	NBR/70-EPDM/70- VMQ/70-FKM/70
033.0123	2	PUR
033.0124	2	NBR/70-EPDM/70- VMQ/70-FKM/70
033.0125	2	TPU/80
033.0126	2	NBR/70-EPDM/70- VMQ/70-FKM/70
033.0127	2	NBR/70-EPDM/70- VMQ/70-FKM/70
033.0128	2	NBR/70-EPDM/70- VMQ/70-FKM/70
033.0300	2	NBR/70-EPDM/70- VMQ/70-FKM/70
033.0301	2	NBR/70-EPDM/70- VMQ/70-FKM/70
033.0302	2	NBR/70-EPDM/70- VMQ/70-FKM/70
033.0303	2	NBR/70-EPDM/70- VMQ/70-FKM/70
033.0304	2	NBR/70-EPDM/70- VMQ/70-FKM/70
033.0305	2	NBR/70-EPDM/70- VMQ/70-FKM/70
033.0306	2	NBR/70-EPDM/70- VMQ/70-FKM/70
033.0500	2	NBR/70-EPDM/70- VMQ/70-FKM/70
033.0501	2	NBR/70-EPDM/70- VMQ/70-FKM/70
033.0502	3	NBR/70-EPDM/70- VMQ/70-FKM/70
033.0503	2	NBR/70-EPDM/70- VMQ/70-FKM/70
033.0504	2	NBR/70-EPDM/70- VMQ/70-FKM/70
033.0600	3	NBR/70-EPDM/70- VMQ/70-FKM/70
033.0700	3	NBR/70-EPDM/70- VMQ/70-FKM/70
033.0701	3	VMQ/70
033.0702	3	VMQ/70
033.0703	3	VMQ/70
033.0704	3	VMQ/70
033.0705	3	VMQ/70
033.0706	3	VMQ/70
033.0707	3	VMQ/70
033.0900	3	NBR/70-VMQ/70-FKM/70
033.0901	3	NBR/70-FKM/70
033.1100	3	NBR/70-VMQ/70-FKM/70
033.1101	4	NBR/70-VMQ/70-FKM/70
033.1102	4	NBR/70-VMQ/70-FKM/70
033.1301	4	NBR/70-VMQ/70-FKM/70
034.0001	6	NBR/70
034.0002	6	NBR/55-NBR/70
034.0003	6	NBR/70
034.0004	6	NBR/70
034.0005	6	TPU/90-NBR/80-EPDM/70
034.0006	6	NBR/70
034.0007	6	NBR/70
034.0008	6	NBR/70

INDEX
INDEX
INDEX
ÍNDICE

COD.	PAG.	Materiali Material - Matériel Material - Material
034.0009	6	NBR/70
034.0010	6	NBR/70
034.0011	6	NBR/70
034.0012	6	NBR/70
034.0013	6	NBR/70
034.0014	6	NBR/70
034.0015	6	VMQ/60
034.0016	6	NBR/50
034.0017	6	EPDM/70
034.0100	7	NBR/55-NBR/70
034.0101	7	NBR/55-NBR/70
034.0102	7	NBR/70
034.0103	7	NBR/70
034.0104	7	NBR/55-NBR/70-EPDM/70
034.0105	7	NBR/55-NBR/70-EPDM/70
034.0106	7	NBR/70
034.0107	7	NBR/70
034.0108	6	NBR/70
034.0109	7	NBR/70
034.0110	7	NBR/70
034.0111	7	NBR/60
034.0113	7	NBR/70
034.0114	7	NBR/70
034.0200	7	NBR/70
034.0201	7	NBR/55-NBR/70-VMQ/55
034.0202	7	NBR/70
034.0203	7	NBR/80
034.0204	7	NBR/70-FKM/70
034.0205	7	NBR/70
034.0206	7	NBR/70
034.0207	7	NBR/50-NBR/70-EPDM/70
034.0208	7	NBR/70-VMQ/60
034.0209	7	NBR/70-EPDM/80
034.0210	7	NBR/70
034.0211	7	NBR/70
034.0212	7	NBR/70-EPDM/80
034.0213	7	NBR/70-NBR/90
034.0214	7	NBR/70
034.0215	8	NBR/70-FKM/70
034.0216	8	NBR/70
034.0217	8	NBR/70
034.0218	8	NBR/70
034.0219	8	NBR/70
034.0220	8	NBR/70
034.0221	9	TPU
034.0222	7	NBR/80
034.0300	9	NBR/60-NBR/70-EPDM/80-FKM/70
034.0301	9	NBR/70
034.0302	9	NBR/70-EPDM/50-EPDM/70-FKM
034.0303	9	NBR/70
034.0304	9	NBR/70
034.0305	9	EPDM/80
034.0400	9	NBR/55-NBR/80
034.0401	9	NBR/70-EPDM/70-EPDM/80
034.0402	9	NBR/70-NBR/80
034.0403	10	NBR/70-NBR/80
034.0404	10	NBR/70-EPDM/70-FKM/70
034.0405	10	NBR/70-EPDM/70
034.0406	10	NBR/70-NBR/80
034.0407	10	NBR/70-NBR/80

COD.	PAG.	Materiali Material - Matériel Material - Material
034.0408	7	NBR/70-NBR/80
034.0409	11	NBR/70-NBR/80
034.0410	11	NBR/70-NBR/80
034.0411	11	NBR/70-NBR/80
034.0412	11	NBR/70-NBR/80
034.0413	11	NBR/70-NBR/80
034.0414	11	NBR/70-NBR/80
034.0415	12	NBR/70-NBR/80
034.0416	12	NBR/70-NBR/80
034.0417	12	NBR/70-NBR/80
034.0418	12	NBR/70-NBR/80
034.0419	12	NBR/70-NBR/80
034.0420	12	NBR/70-NBR/80
034.0421	13	NBR/70-NBR/80-EPDM/70
034.0422	13	NBR/70-NBR/80-EPDM/80
034.0423	13	NBR/70-NBR/80
034.0424	13	NBR/70-NBR/80
034.0425	13	NBR/70-NBR/80
034.0426	13	NBR/70-NBR/80
034.0428	13	NBR/70-EPDM/70
034.0429	14	NBR/70-NBR/80
034.0430	14	NBR/70-NBR/80
034.0431	14	NBR/70-NBR/80
034.0432	14	NBR/70-EPDM/70
034.0433	14	NBR/70-NBR/80
034.0434	14	NBR/55-NBR/70
034.0435	15	NBR/70-EPDM/80
034.0436	15	NBR/70-NBR/80
034.0437	15	NBR/70
034.0438	15	NBR/70-NBR/80
034.0439	15	NBR/70
034.0440	15	NBR/50
034.0441	15	VMQ/50
034.0442	13	NBR/70-NBR/80
034.0443	15	VMQ/50-VMQ/70
034.0444	15	NBR/70
034.0445	16	NBR/70-NBR/80
034.0446	16	NBR/70-NBR/80
034.0447	16	NBR/70-NBR/80
034.0448	13	NBR/70-NBR/80
034.0449	16	NBR/70-NBR/80
034.0450	16	NBR/70-NBR/80
034.0451	15	VMQ/50
034.0452	13	NBR/80
034.0453	16	NBR/80-EPDM/80
034.04531	16	NBR/80-EPDM/80
034.0454	13	NBR/70-NBR/80
034.0456	17	EPDM/70
034.0457	17	NBR/80-EPDM/80
034.0458	34	VMQ/50-VMQ/70
034.0459	17	NBR/80
034.0461	17	NBR/70
034.0462	17	NBR/70
034.0463	17	NBR/80
034.0465	18	NBR/80
034.0466	10	NBR/80-EPDM/80
034.0467	10	NBR/70-EPDM/70
034.0468	18	AISI+NBR/70
034.0469	18	AISI+NBR/80
034.0470	18	NBR/80
034.0471	18	EPDM/80
034.0472	18	AISI+NBR/70

COD.	PAG.	Materiali Material - Matériel Material - Material
034.0473	19	EPDM/70-FKM/70
034.0474	19	EPDM/60
034.0475	19	NBR/80
034.0476	19	NBR/70
034.0479	19	NBR/80
034.0484	19	NBR/70-EPDM/70-FKM/70
034.0485	6	EPDM/80
034.0486	34	VMQ/50-70
034.0487	20	TPU/65
034.04871	20	TPU/65
034.0488	20	NBR/90-EPDM/80
034.0489	20	NBR/70
034.0490	12	EPDM/50-VMQ/75
034.0492	20	EPDM/50
034.0493	20	EPDM/80
034.0494	20	EPDM/85-NBR/70
034.0496	21	NBR/90
034.0497	21	NBR/70-EPDM/80
034.0499	15	NBR/70
034.0500	15	VMQ/70
034.0501	21	NBR/80-EPDM/80
034.0502	21	EPDM/70
034.0503	21	NBR/70
034.0504	21	FKM/80
034.0506	22	NBR/50-VMQ/70
034.0507	34	VMQ/60
034.0509	22	NBR/70
034.0518	22	NBR/80
034.0519	22	EPDM/80
034.0520	22	TPU/90
034.0521	13	EPDM/80
034.0523	13	NBR/80
034.0529	23	EPDM/70
034.0549	23	FKM/70
034.0551	23	NBR/80
035.0001	32	NBR/70-FKM/70
035.0002	32	NBR/70-FKM/70-EPDM/70
035.0003	32	NBR/70-FKM/70-EPDM/80
035.0004	32	NBR/70-FKM/70-EPDM/80
035.0005	32	NBR/70-FKM/70
035.0006	32	NBR/80-EPDM/80
035.0007	32	NBR/70
035.0008	32	NBR/70-EPDM/70
035.0009	32	NBR/70-EPDM/70
035.0010	32	EPDM/80
035.0011	32	EPDM/80-FKM/70
035.0012	32	EPDM/80-FKM/70
035.0013	32	NBR/50-EPDM/70
035.0050	32	NBR/70-VMQ/70-FKM/70-EPDM/70
035.0051	32	NBR/70-FKM/70
035.0052	32	NBR/70
035.0053	32	NBR/70
035.0054	32	EPDM/80
035.0055	32	EPDM/80
035.0056	32	EPDM/70
035.0058	23	NBR/70
035.0100	32	NBR/70-FKM/70-EPDM/70
035.0101	32	NBR/70-FKM/70-EPDM/70
035.0102	32	NBR/70-FKM/70-EPDM/70
035.0103	32	NBR/70-FKM/70-EPDM/70
035.0104	32	NBR/70-FKM/70-EPDM/70

INDEX
INDEX
INDEX
ÍNDICE

COD.	PAG.	Materiali Material - Matériel Material - Material
035.0105	32	NBR/70-FKM/70-EPDM/70
035.0106	32	NBR/70
035.0107	32	NBR/70
035.0108	32	NBR/70-EPDM/70
035.0109	32	NBR/70
035.0110	32	NBR/70+FKM/70-EPDM/70
035.0111	32	NBR/70-VMQ/70
035.0112	32	NBR/70-FKM/70-EPDM/70
035.0113	32	NBR/70-FKM/70-EPDM/70
035.0114	32	NBR/70-FKM/70-EPDM/70
035.0115	32	EPDM/70-FKM/70
035.0116	32	NBR/70-EPDM/70-EPDM/80
035.0117	32	NBR/70-FKM/70-EPDM/70
035.0120	32	NBR/70-FKM/70-EPDM/70
035.0121	32	NBR/70-FKM/70-EPDM/70
035.0122	32	NBR/70-EPDM/70
035.0123	32	NBR/70-EPDM/70
035.0127	32	NBR/70-FKM/70-EPDM/70
035.0130	32	NBR/70-FKM/70-EPDM/70
035.0200	32	NBR/70
035.0201	32	NBR/70
035.0202	32	NBR/70
035.0205	32	NBR/80
035.0206	32	NBR/80
035.0210	33	NBR/70-EPDM/70
035.0211	33	NBR/70
035.0212	33	NBR/70
035.0213	33	NBR/70
035.0220	33	NR/40-VMQ/70-FKM/70
035.0221	33	NBR/70
035.0300	33	NBR/80
035.0301	33	NBR/80-FKM/70
035.0302	34	NBR/80
035.0303	34	NBR/80
035.0304	33	NBR/70
035.0305	33	NBR/70
035.0306	34	NBR/80
035.0309	34	NBR/80+TESSUTO
035.0310	33	NBR/80
035.0311	33	NBR/80
035.0312	33	NBR/80-EPDM/80
035.0313	33	NBR/80
035.0315	33	NBR/80
035.0319	33	NBR/80
035.0324	34	NBR/70-EPDM/70
035.0325	42	FKM/70-EPDM/60
035.0326	42	FKM/70
035.0327	34	FKM/70-EPDM/80
035.0329	42	NBR/80+TESSUTO
035.0331	43	EPDM-NBR/80+TESSUTO
035.0332	43	NBR/80+TESSUTO
035.0333	43	EPDM-NBR/80+TESSUTO
035.0339	43	EPDM+PTFE
035.0343	42	EPDM/70
035.0356	35	HNBR/70
035.0357	35	FKM GF/80
035.1000	34	NBR/70-FKM/70
035.1001	34	NBR/70
035.1002	34	NBR/70
035.1003	34	NBR/70-FKM/70-EPDM/70
035.1004	34	NBR/70
035.1005	34	PA

COD.	PAG.	Materiali Material - Matériel Material - Material
035.1006	34	VMQ/60
035.1007	34	NBR/70-FKM/70
035.1008	34	NBR/70-VMQ/70-FKM/70
035.1011	34	NBR/70-EPDM/70
035.1012	34	EPDM/70
035.1013	34	VMQ/70-FKM/70
035.1014	34	EPDM/70
035.1015	34	NBR/90
035.1016	34	FKM/70
035.1017	34	VMQ/70-FKM/70
035.1018	34	VMQ/70-FKM/70
035.1019	34	EPDM/70
035.1020	34	EPDM/70
035.1021	34	VMQ/70
035.1025	34	PE
035.1500	25	NBR/60
035.1501	25	NBR/60
035.1502	25	NBR/80
035.1503	25	NBR/50
035.1504	25	NBR/60
035.1505	25	NBR/60
035.1506	26	NR/40
035.1507	26	NBR/60
035.1508	26	NBR/60
035.1509	26	NBR/60
035.1510	26	FKM/60
035.1511	26	NBR/60
035.1512	27	NBR/50
035.1514	27	NBR/50
035.1515	27	NBR/50
035.1516	27	NBR/50
035.1517	27	NBR/70
035.1518	27	NBR/70
035.1519	28	NBR/60
035.1520	28	NBR/60
035.1521	28	EPDM/50
035.1522	28	FKM/50
035.1523	28	FKM/50
035.1524	28	FKM/50
035.1525	28	FKM/50
035.1526	29	FKM/50
035.1527	29	FKM/50
035.1528	29	FKM/50
035.1529	28	FKM/50
035.1530	29	FKM/50
035.1531	29	FKM/50
035.1532	29	FKM/50
035.1533	29	FKM/50
035.1534	29	FKM/50
035.1535	29	FKM/50
035.1536	30	FKM/50
035.1537	30	EPDM/50
035.1538	30	EPDM/50
035.1549	30	VMQ/70
035.1553	30	NBR/80
035.1561	30	EPDM/60
035.2001	37	POM
035.2002	37	POM
035.2003	37	POM
035.2004	37	POM
035.2005	37	PP
035.2006	37	POM

COD.	PAG.	Materiali Material - Matériel Material - Material
035.2007	38	POM
035.2009	38	POM
035.2010	38	POM
035.2011	38	POM
035.2012	38	POM
035.2013	38	POM
035.2014	39	POM
035.2015	39	POM
035.2016	34	POM
035.2017	39	POM
035.2018	39	POM
035.2019	40	POM
035.2020	39	POM
035.2021	39	POM
035.2022	40	POM
035.2023	40	POM
035.2024	40	POM
035.2025	40	POM/TURCITE
035.2027	41	POM
035.2028	41	PA6
035.2029	41	TURCITE
035.2030	41	TURCITE
035.2031	41	TURCITE
035.2032	41	TURCITE
035.2033	41	TURCITE
035.2034	42	TURCITE+AISI
035.2035	42	PTFE
035.2036	42	TURCITE
035.2039	42	ARNITE
036.0001	48	POM
036.0002	46	POM
036.0003	47	AISI
036.0101	48	POM
036.0102	48	POM
036.0103	46	POM
036.0104	43	POM
036.0105	43	POM
036.0106	44	POM
036.0107	44	POM
036.0108	44	POM
036.0109	44	POM
036.0111	47	POM
036.0112	44	POM
036.0113	47	POM
036.0114	44	POM
036.0117	45	POM
036.1000	46	POM+NBR/70
036.1001	48	POM+NBR/80
036.1002	48	POM+NBR/80
036.1003	47	POM+AISI304+NBR/80
036.1004	47	POM+AISI304+NBR/80
037.0001	49	PA6+FV
037.0002	49	PA6+FV
037.0003	49	PA6+FV
037.0004	49	PA6+FV
037.0005	49	PA6+FV
037.0006	49	PA6+FV
037.0007	50	PA6+FV
037.0008	50	PA6+FV
037.0009	50	ABS
037.0010	50	PA6+FV
037.0011	50	ABS

INDEX
INDEX
INDEX
ÍNDICE

COD.	PAG.	Materiali Material - Matériel Material - Material
037.0012	50	ABS
037.0013	51	PA6+FV
037.0014	51	PA6+FV
037.0015	51	PA6+FV
037.0016	51	POM
038.0001	73	POMBIANCO
038.00011	63	POMMARRONE
038.0002	73	ABS
038.0003	72	POM
038.0004	72	POM
038.0005	72	POM
038.0006	73	POM
038.0007	73	POM
038.0008	73	POM
038.0009	73	POM
038.0010	73	POM
038.0011	74	PP
040.0001.002	96	NR/60
040.0002.002	96	NR/60
040.0002.075	96	TPU/75
040.0003.002	96	NR/60
040.0004.002	96	NR/60
040.0005.002	96	NR/60
040.0006.002	96	NR/70
040.0007.002	97	NR/60
040.0007.075	97	TPU/75
040.0009.002	97	NR/60
040.00091.002	97	NR/60
040.00092.002	97	NR/60
040.0010.002	97	NR/60
040.0011.002	97	NR/60
040.0012.002	97	NR/60
040.0013.002	98	NR/70
040.0013.075	98	TPU/75-PUR
040.0014.002	98	NR/60
040.0014.075	98	TPU/75
040.0015.002	98	NR/60
040.0016.002	98	NR/60
040.0017.002	98	NR/60
040.0018.002	98	NR/60
040.0019.002	99	NR/60
040.0020.002	99	NR/60
040.0021.002	99	NR/60
040.0022.002	99	NR/60
040.0023.002	99	NR/60
040.0023.075	99	TPU/65
040.0024.002	100	NR/60
040.0025.002	100	NR/60
040.0026.002	96	NR/60
040.0027.002	100	NR/60
040.0027.074	100	PUR/70
040.0027.075	100	TPU/75
040.0028.002	100	NR/60
040.0029.002	100	NR/70
040.0030.002	100	NR/70
040.0031.002	101	NR/60
040.0032.002	101	NR/60
040.0033.002	101	NR/60
040.0034.002	101	NR/60
040.0035.002	101	NR/60
040.0036.002	101	NR/60
040.0037.002	102	NR/60

COD.	PAG.	Materiali Material - Matériel Material - Material
040.0038.002	102	NR/60
040.0039.002	102	NR/60
040.0040.002	102	NR/60
040.0041.002	102	NR/60
040.0042.002	102	NR/60
040.0043.002	102	NR/60
040.0044.002	103	NR/60
040.0045.002	103	NR/60
040.0046.002	103	NR/60
040.0047.002	103	NR/60
040.0048.002	103	NR/60
040.0049.002	103	NR/60
040.0050.002	103	NR/60
040.0050.075	104	TPU/75
040.0051.002	104	NR/70
040.0051.075	104	TPU/75
040.0052.002	104	NR/70
040.0052.075	104	TPU/75
040.0053.002	105	NR/60
040.0053.075	105	TPU/75
040.0054.002	104	NR/60
040.0055.002	104	NR/60
040.0055.075	104	TPU/75
040.00551.002	105	NR/60
040.0056.002	105	NR/60
040.0056.075	105	TPU/75
040.0057.002	105	NR/60
040.0058.002	105	NR/60
040.0058.075	105	TPU/75
040.0059.002	106	NR/60
040.0060.002	106	NR/60
040.0060.075	106	TPU/75
040.0061.002	106	NR/60
040.0062.002	106	NR/60
040.0063.002	106	NR/60
040.00641.002	106	NR/60
040.0065.002	107	NR/60
040.0066.002	107	NR/60
040.0067.002	107	NR/60
040.0068.002	107	NR/60
040.0069.002	107	NR/60
040.0070.002	108	NR/60
040.0071.002	108	NR/70
040.0071.075	108	TPU/75
040.00711.002	107	NR/70
040.00711.075	107	TPU/75
040.0072.002	108	NR/60
040.0073.002	108	NR/60
040.0074.002	108	NR/60
040.0074.075	108	TPU/75
040.0075.002	109	NR/60
040.0076.002	109	NR/60
040.0077.002	109	NR/60
040.0078.002	109	NR/60
040.0079.002	109	NR/60
040.0080.002	109	NR/70
040.0081.002	110	NR/60
040.0082.002	110	NR/70
040.0083.002	110	NR/60
040.0084.002	110	NR/70
040.0084.075	110	TPU/75
040.0085.002	110	NR/60

COD.	PAG.	Materiali Material - Matériel Material - Material
040.0086.002	97	NR/60-TPU/75
040.0087.002	111	NR/60
040.0088.002	111	NR/60
040.0088.074	111	PUR/70
040.0088.075	110	TPU/75
040.0089.075	111	TPU/75
040.0090.075	111	TPU/75
040.0091.002	111	NR/60
040.0092.002	111	NR/60
040.0093.002	112	NR/70
040.0093.075	112	TPU/75
040.0094.002	112	NR/60-TPU/75
040.0095.002	112	NR/60
040.0096.002	112	NR/60
040.0096.075	112	NR/60
040.0097.002	112	NR/60
040.0098.002	106	NR/60
040.0099.002	112	NR/60
040.0099.075	112	TPU/75
040.0100.002	111	NR/60
040.0101.002	113	NR/60
040.0102.002	113	NR/60
040.0103.002	113	NR/60
040.0105.002	113	NR/60
040.0109.002	113	NR/60
040.0110.002	113	NR/60
040.0117.002	113	NR/60
040.0119.002	114	NR/70
040.0120.075	115	TPU/75
040.0121.075	105	TPU/75
040.0122.075	108	TPU/75
040.0123.002	114	NR/60
040.0124.002	114	NR/60
040.0124.074	114	PUR/70
040.0124.075	114	TPU/75
040.01241.075	114	TPU/75
040.0125.002	114	NR/60
040.0127.075	115	PUR/70
040.0129.002	105	NR/60
040.0130.075	115	TPU/75
040.0131.002	114	NR/60
040.0134.074	115	PUR/70
040.0135.074	117	PUR/70
040.0136.002	115	NR/60
040.0137.002	115	NR/60
040.0139.002	116	NR/60
040.0140.002	116	NR/60
040.0141.002	116	NR/60
040.0144.002	116	NR/60
040.0145.002	116	NR/60
040.0147.075	116	TPU/60
040.0148.002	116	NR/60
040.0149.074	117	PUR/70
040.0150.002	117	NR/60
040.0151.002	117	NR/60
040.0152.075	117	TPU/75
040.0153.002	117	NR/60
040.0154.075	118	TPU/75
040.0155.075	118	TPU/75
040.0157	118	TPU/75
040.0158	118	PUR/70
040.0159	118	PUR/70

INDEX
INDEX
INDEX
ÍNDICE

COD.	PAG.	Materiali Material - Matériel Material - Material
040.0160	118	TPU/75
040.0161	119	NR/60
040.0162	119	NR/60
040.0163	119	NR/60
040.0164	119	TPU/70
040.0165	119	TPU/70
040.0167	119	PUR/70
041.0001	53	NBR/80
041.0002	53	NBR/80-TPU/80
041.0003	53	NBR/80
041.0004	53	NBR/80
041.0005	53	NBR/80-PU/80
041.0006	53	NBR/80+TESSUTO
041.0009	54	NBR/80
041.0010	54	NBR/80
041.0016	54	EPDM/75
041.0100	54	NBR/80-FKM/70
041.0101	54	NBR/80-FKM/70-EPDM/80
041.0102	54	NBR/80-FKM/70
041.0103	54	NBR/80-FKM/70
041.0104	54	NBR/80-FKM/70- EPDM/80-TPU/80
041.0105	54	NBR/80
041.0106	54	NBR/80-EPDM/80
041.0107	54	NBR/80-EPDM/80-FKM/70
041.0108	54	NBR/80-EPDM/80
041.0109	54	NBR/80-FKM/70
041.0110	54	FKM/70
041.0111	54	NBR/80-FKM/90
041.0112	54	EPDM/70
041.0113	54	NBR/80
041.0117	54	NBR/80
041.0128	54	NBR/80-FKM/75
041.0200	54	NBR/80-FKM/70-EPDM/70
041.0201	54	NBR/80-FKM/70-EPDM/70
041.0202	54	NBR/80
041.0203	53	NBR/80
041.0204	53	NBR/80-FKM/70
041.0205	53	NBR/80
041.0206	53	PU/80
041.0207	53	PU/80
041.0208	53	PU/80
041.0209	53	NBR/80
041.0210	53	NBR/80
041.0211	53	NBR/80
041.0212	53	NBR/80-PU/80
041.0213	53	NBR/80-PU/80
041.0214	53	NBR/80
041.0215	53	NBR/80
041.0216	53	NBR/80
041.0217	53	NBR/80
041.0218	54	NBR/80
041.0219	54	NBR/80
041.0221	53	NBR/80
041.0222	53	NBR/80
041.0223	53	NBR/80
041.0224	53	NBR/80
041.0225	53	NBR/80-EPDM/70-FKM/70
041.0226	53	NBR/80
041.0231	53	NBR/80
041.0232	54	NBR/80
041.0233	53	NBR/80-FKM/70

COD.	PAG.	Materiali Material - Matériel Material - Material
041.0234	54	NBR/80-EPDM/80
041.0235	54	NBR/80
041.0236	53	NBR/80
041.0237	54	NBR/80
041.0238	54	NBR/80-FKM/70
041.0239	54	NBR/80-VMQ/80
041.0240	54	EPDM/70-FKM/70
041.0241	53	NBR/80
041.0244	53	NBR/80
041.0252	54	NBR/80
041.0253	53	FKM/70
041.0259	54	NBR/80
041.0264	53	EPDM/80
041.0265	53	EPDM/80
041.0270	54	EPDM/80
041.0273	53	TPU/80
041.0274	53	EPDM/80
041.0275	53	PTFE
041.0276	54	EPDM/70
041.0283	53	NBR/80
041.0284	53	FKM G/80
041.0500	54	FKM/70
041.0502	54	NBR/80-FKM/70
041.0503	54	NBR/80-FKM/70
041.0504	54	NBR/80-EPDM/80-FKM/70
041.0505	54	NBR/80-FKM/70
041.0506	54	NBR/80-FKM/70
041.0507	54	NBR/80-FKM/70
041.0508	54	NBR/80-FKM/70
041.0509	54	NBR/80-FKM/70
041.0510	54	NBR/80-FKM/70
041.0511	54	NBR/80-FKM/70
041.0512	53	NBR/80-FKM/70
041.0513	53	NBR/80
041.0514	53	NBR/80-EPDM/80-FKM/70
041.0515	54	NBR/80
041.0516	53	NBR/80
041.0517	53	NBR/80-FKM/70
041.0518	53	NBR/80
041.0519	53	EPDM/70-FKM/70
041.0520	53	NBR/80
041.0521	53	NBR/80
041.0522	54	FKM/70
041.0523	54	FKM/70
041.0524	54	NBR/80
041.0525	54	EPDM/80
041.0526	54	FKM/70
041.1017	54	NBR/80
041.1018	54	NBR/80
041.1019	54	NBR/80+TESSUTO
041.1022	54	FKM/70
041.1023	54	FKM/70
042.0001	58	NBR/80
042.0002	58	NBR/80
042.0003	58	NBR/80
042.0004	58	NBR/80
042.0005	58	NBR/80
042.0006	58	NBR/80
042.0007	58	NBR/80
042.0008	59	NBR/80
042.0009	59	NBR/80
042.0010	59	NBR/80

COD.	PAG.	Materiali Material - Matériel Material - Material
042.0011	59	NBR/80
042.0015	59	NBR/80
042.0016	59	NBR/80
042.0017	60	NBR/80
042.0018	60	NBR/80
042.0019	60	NBR/80
042.0020	60	NBR/80
042.0021	60	NBR/80
042.0022	60	NBR/80
042.0023	61	NBR/80
042.0024	61	NBR/80
042.0025	61	NBR/80
042.0026	61	NBR/80
042.0027	61	NBR/80
042.0028	61	NBR/80
042.0029	62	NBR/80
042.0030	62	NBR/80
042.0031	62	NBR/80
042.0032	62	TPU/90
042.0039	62	NBR/80
042.0040	62	NBR/80
042.0041	63	NBR/80
042.0042	63	NBR/80
042.0043	63	NBR/80
042.0044	63	NBR/80
042.0045	63	NBR/80
042.0046	63	NBR/80
042.0047	64	NBR/80
042.0048	64	NBR/80
042.0049	64	NBR/80
042.0050	64	NBR/80
042.0051	64	NBR/80
042.0052	64	TPU/90
042.0053	65	TPU/90
042.0054	65	NBR/80
043.0001	76	NBR/80-TPU/80
043.0002	76	NBR/80-TPU/80
043.0003	76	NBR/80-TPU/80
043.0004	76	NBR/80-TPU/80
043.0005	76	NBR/80-TPU/80
043.0006	76	NBR/80-TPU/80
043.0007	76	NBR/80-TPU/80
043.0008	76	NBR/80-TPU/80
043.0009	76	NBR/80-TPU/80
043.0010	76	NBR/80-TPU/80
043.0011	76	NBR/80-VULKOLLAN/80
043.0012	76	NBR/80-TPU/80
043.0013	76	NBR/80-TPU/80
043.0014	76	NBR/80-TPU/80
043.0015	76	NBR/80-TPU/80
043.0016	76	NBR/80
043.0017	76	NBR/80
043.0018	77	NBR/80
043.0019	77	AISI+NBR/60+NBR/80-TPU/80
043.0020	77	AISI+NBR/80-TPU/80
043.0021	77	AISI+NBR/60
043.0023	77	NBR/80-TPU/80
043.0024	76	NBR/80-TPU/80
043.0025	76	NBR/80-TPU/80
043.0026	77	NBR/80-TPU/80
043.0027	76	NBR/80-TPU/80
043.0028	76	NBR/80-TPU/80

INDEX

COD.	PAG.	Materiali Material - Matériel Material - Material
043.0029	78	TPU/90
043.0030	78	TPU/90
043.0031	78	TPU/90
043.0032	78	NBR/60-TPU/65- NR/40PUCELLULARE
043.0033	78	NBR/60-TPU/65- NR/40PUCELLULARE
043.0034	78	NBR/60- TPU/65PUCELLULARE
043.0035	77	TPU/80
043.0036	78	AISI+NBR/80AISI+TPU/80
043.0037	78	AISI+NBR/80-TPU/80
043.0038	79	NBR/80
043.0039	76	NBR/80-TPU/80
043.0040	76	NBR/80
043.0041	76	NBR/80
043.0042	76	NBR/80
043.0043	79	AISI+NBR/80
043.0044	76	NBR/80-TPU/80
043.0045	79	NBR/80-TPU/80
043.0046	79	NBR/80-TPU/80
043.0047	76	TPU/80
043.0048	76	NBR/80-PU CELL
043.0049	76	NBR/80
043.0050	79	NBR/80-AISI
043.0051	76	NBR/80-TPU/80
043.0057	77	NBR/80
043.0058	77	NBR/80
043.0061	76	TPU/80
043.0062	79	AISI+NBR/80AISI+TPU/80
043.0063	79	AISI+NBR/80AISI+TPU/80
043.0064	79	AISI+NBR/80AISI+TPU/80
043.0072	77	TPU/80
043.0073	77	TPU/80
043.0074	80	NBR/80-AISI
043.0077	84	PUCELLULARE-NR/40
043.0079	80	NBR/80
043.0080	80	AISI+NBR/80
043.0081	76	TPU/90
043.0083	80	PA66+TPU/90
043.0085	80	NR/50-NBR/60-AISI
043.0086	80	NR/50-NBR/60-AISI
043.0090	81	AISI+VULKOLLAN/80
043.0091	81	TPU/90-AISI
043.0092	85	NBR/60
043.0093	81	NBR/60
043.0095	85	TPU/60
043.1000	82	POM
043.1001	82	POM
043.1002	82	POM
043.1003	83	POM
043.1004	83	POM
043.1005	84	POM
043.1006	84	POM
043.1007	85	AISI
043.1008	85	POM+AISI
043.2001	82	POM+NBR/80POM+ TPU/65POM+ PUCELLULAREN/40
043.2002	82	POM+NBR/80POM+ TPU/65POM+ PUCELLULAREN/40

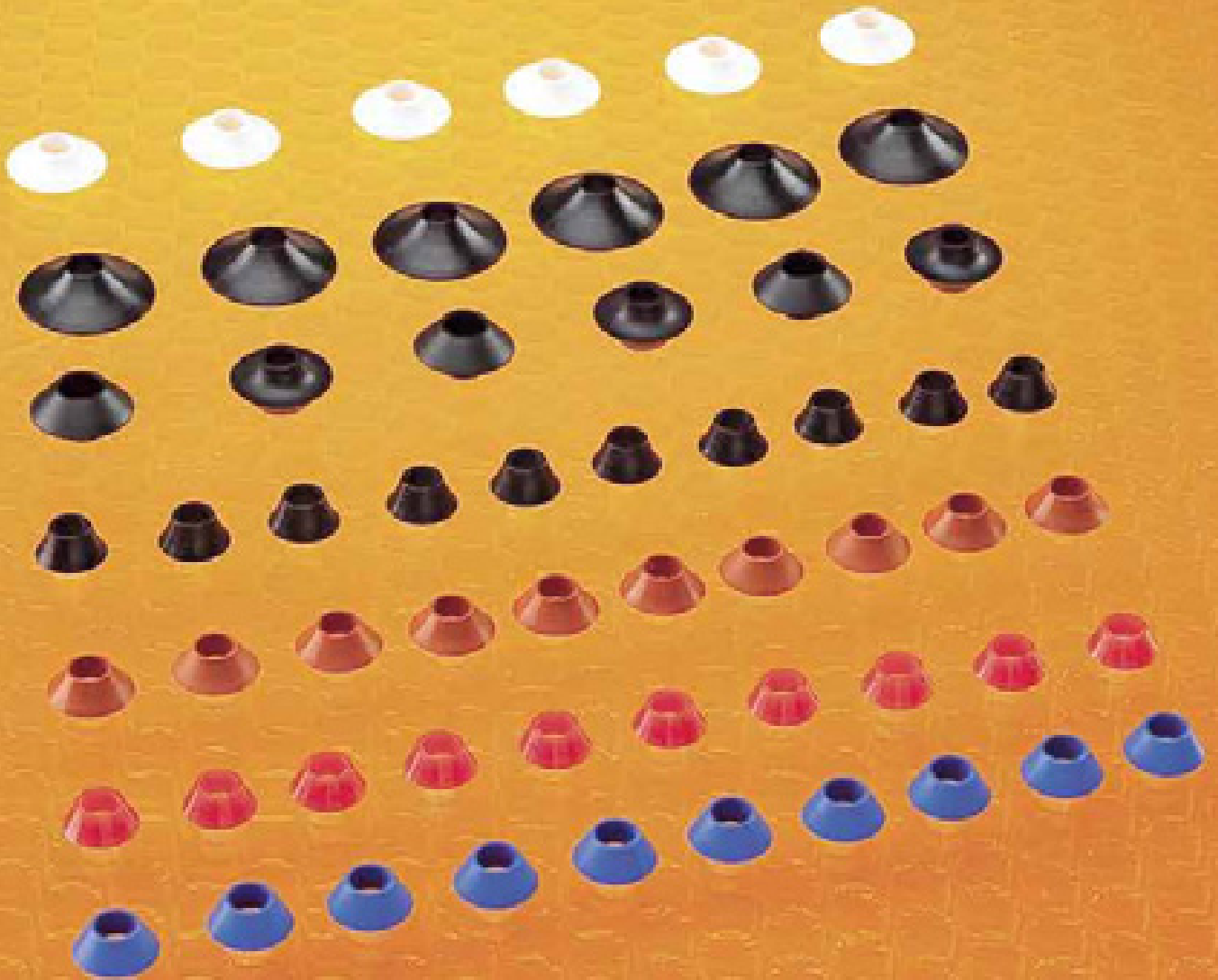
INDEX

COD.	PAG.	Materiali Material - Matériel Material - Material
043.2003	83	POM+NBR/80POM+ TPU/65POM+ PUCELLULARE
043.2004	83	POM+NBR/80POM+ TPU/65-NR/40POM+ PUCELLULARE
043.2005	84	POM+NBR/80
043.2006	84	POM+PUCELLULAREN/40
043.2007	85	POM+NR/40
043.2008	85	POM+PUCELLULARE
044.0001	87	NR/60
044.0002	87	NBR/60-VMQ/60
044.0003	87	NBR/60-VMQ/60
044.0004	87	NBR/60-VMQ/60
044.0005	87	VMQ/60
044.0006	87	VMQ/60
044.0007	87	VMQ/60
044.0008	87	VMQ/60
044.0009	87	VMQ/60
044.0010	87	VMQ/60
044.0011	87	VMQ/60
045.0001	89	POM
045.0003	89	POM
045.00031	89	POM
045.0004	89	POM
045.00041	89	POM
045.0005	89	POM
045.00051	89	POM
045.0007	89	POM
045.0008	90	POM
045.00081	90	POM
045.0040	89	AISI
045.0042	89	AISI
045.0044	89	AISI
045.0045	89	TPU/90
045.0050	90	POM
045.0051	90	POM
045.0052	90	POM
045.0053	90	PA6+MOS2
045.0054	90	POM
045.0055	90	POM
045.0100	91	PA+MOS2
045.0101	91	PA+MOS2
045.0102	91	PA+MOS2
045.0300	91	TPU/75
053.0001	92	AISI+TPU/90
053.0002.072	92	AISI+TPU/90
053.0002.133	92	POM
053.0005	92	AISI+TPU/90
053.0006	92	AISI+TPU/90
053.0038	92	POM
053.0039	93	POM
053.0050	93	FE+PU/90
053.0056	93	POM
053.0058	93	AISI+TPU/90
053.0059	93	POM
054.0001	91	AISI+PA6
054.0002	91	AISI+TPU/90
057.0700	53	NBR/80-EPDM/80
057.0701	53	NBR/80-EPDM/80
057.0702	53	NBR/80-EPDM/80
057.0703	53	NBR/80-EPDM/80

INDEX

COD.	PAG.	Materiali Material - Matériel Material - Material
057.0704	53	NBR/80-EPDM/80
057.0705	53	NBR/80-EPDM/80
057.0706	53	NBR/80-EPDM/80
057.0707	53	NBR/80-EPDM/80
057.0708	53	NBR/80-EPDM/80
057.0709	53	NBR/80-EPDM/80
057.0710	53	NBR/80-EPDM/80
057.0711	53	NBR/80-EPDM/80
057.0712	53	NBR/80-EPDM/80
057.0713	53	NBR/80-EPDM/80
057.0714	53	NBR/80-EPDM/80
200.0013	67	NBR/80
200.0014	67	NBR/80
200.0022	67	NBR/80
200.0033	22	NBR/70
200.0036	34	VMQ/50
200.0044	67	NBR/80
200.0058	67	NBR/80
200.0059	67	NBR/80-EPDM/80
200.0060	68	NBR/80-EPDM/80
200.0061	68	NBR/80-EPDM/80
200.0075	68	NBR/80
200.0080	22	NBR/80
200.0089	68	NBR/80
200.0090	68	EPDM/80
200.0091	68	NBR/80
200.0099	69	EPDM/80
200.0104	69	NBR/80
200.01041	72	NBR/80
200.0142	69	VMQ/80
200.0161	87	NBR/60
200.0162	69	NBR/80
200.0164	69	NBR/80
200.0169	69	EPDM/80
200.0182	70	PA6+FV
200.0185	56	PP
200.0187	70	PA6
200.0190	70	EPDM/80
200.01901	70	EPDM/80
200.0194	70	EPDM/80
200.0197	70	EPDM/80
200.01981	71	PEEK
200.01982	71	PEEK
200.0214	71	EPDM/80
200.0215	71	EPDM/80
200.0265	71	EPDM
200.0266	71	NBR/80
200.0267	72	DELTRIN
200.0268	72	DELTRIN

ÍNDICE

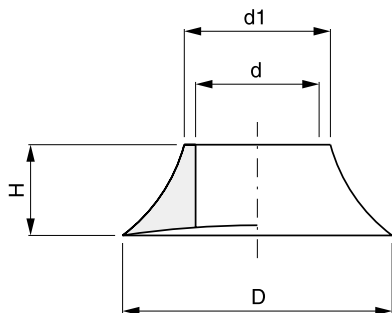


SPREADERS

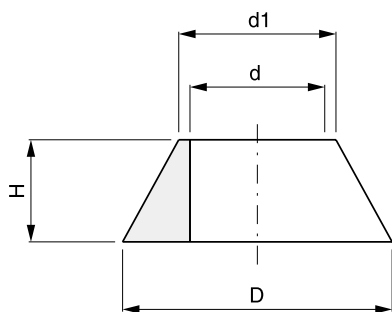
DEFLECTEURS

SCHIRMMANSCHETTEN

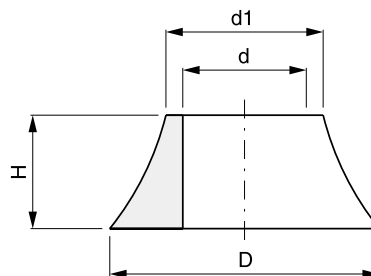
DISPERSORES



COD.	D	d	d1	H
033.0001	10	5.5	6.5	4
033.0002	12	5.5	6.5	4

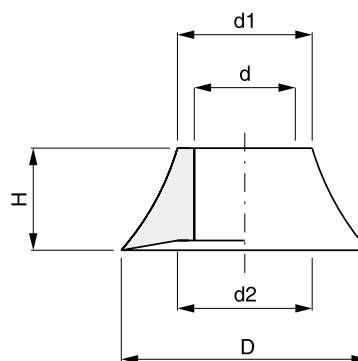
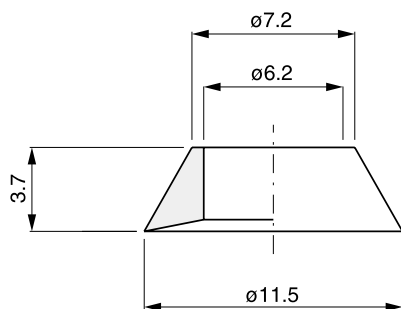


COD.	D	d	d1	H
033.0300	11	6	7	3.5
033.0302	12	6	7	4.5
033.0303	12	7	8	4
033.0305	12	6	8	3.5
033.0301	16	5.5	6.5	6.3
033.0304	17	5	6	4



COD.	D	d	d1	H
033.0126	11	5	6.5	5
033.0100	11	5	7	4
033.0101	11	6	7	4.5
033.0102	11	5.5	6.5	4
033.0125	11	5.8	7	4
033.0123	11.5	5.7	6	5
033.0121	11.5	7	8	4
033.0124	11.5	7	8	4
033.0103	12	7.5	8.5	4
033.0104	12	6	7	4.5
033.0105	12	5.5	7	5
033.0106	12	8	9	3.5
033.0122	12	7	8	4.5
033.0107	13	5.5	6.5	4
033.0108	13	6	8	4
033.0109	13	6.7	7.5	4
033.0127	13	7.5	9	3.5
033.0110	14	6	7	4
033.0111	15	6	7	4
033.0112	16	6	7	4
033.0113	17	6	7	4
033.0114	17	6.5	7.5	6
033.0115	18	6.5	7.5	4
033.0116	19	6.5	7.5	4
033.0117	19.5	5.5	6.5	4
033.0118	20	6.5	7.5	6
033.0119	21	6.5	7.5	6
033.0120	22	5.5	6.5	6
033.0128	10.75	5.1	6.5	4.1

033.0306



COD.	D	d	d1	d2	H
033.0500	11	4.5	6	6	4.5
033.0501	11	4.7	6	8	5
033.0503	11.4	5	6.6	5	5
033.0504	11.5	5	7	7.5	4.8

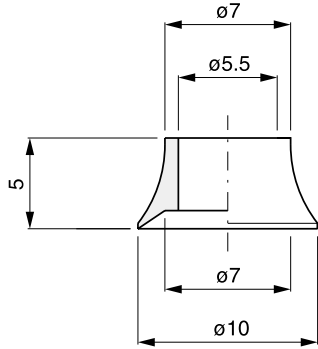
SPREADERS

DEFLECTEURS

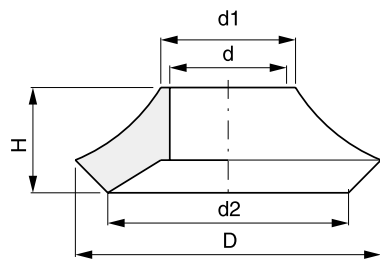
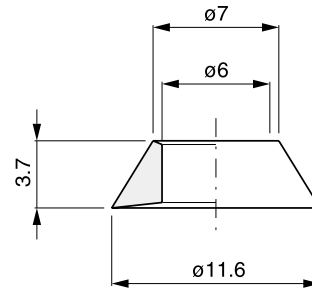
SCHIRMMANSCHETTEN

DISPERSORES

033.0502

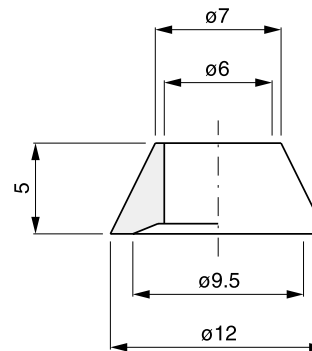


033.0600

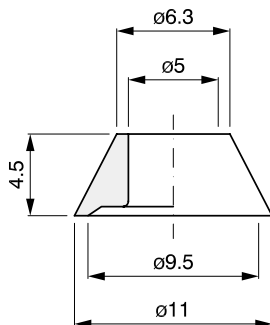


COD.	D	d	d1	d2	H
033.0700	11.8	5	7	10.5	5
033.0703	14	6	7	12	5
033.0704	15	6	7	12.6	5
033.0705	16	6	7	14	5
033.0701	17	6	7.5	13.4	5.8
033.0707	17	9	10.5	14	5
033.0702	19	6	7.5	15.4	5.8
033.0706	19	9	10.5	16	5

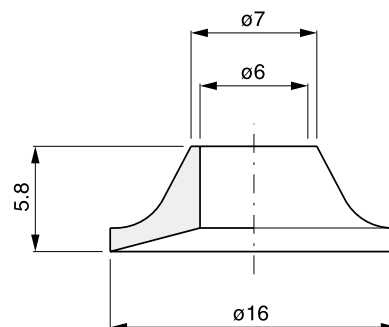
033.0900



033.0901



033.1100



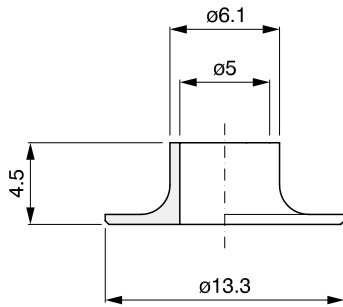
SPREADERS

DEFLECTEURS

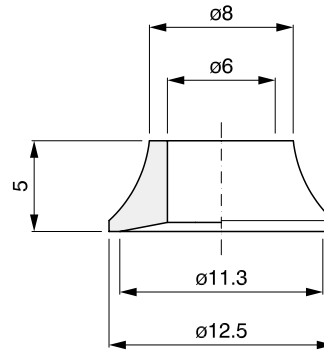
SCHIRMMANSCHETTEN

DISPERSORES

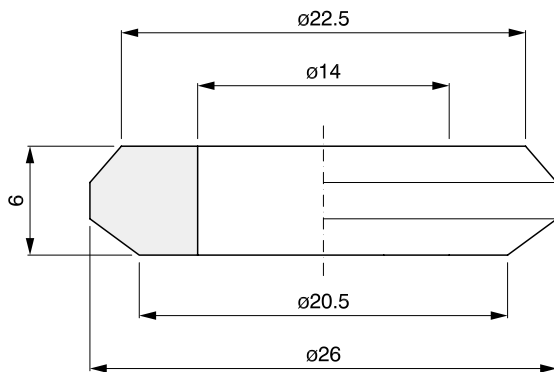
033.1101



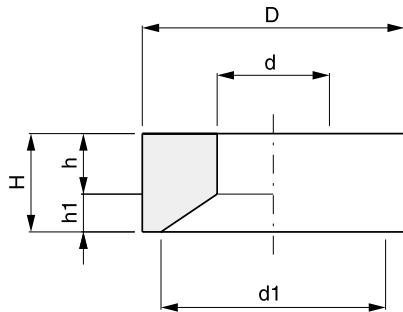
033.1102



033.1301

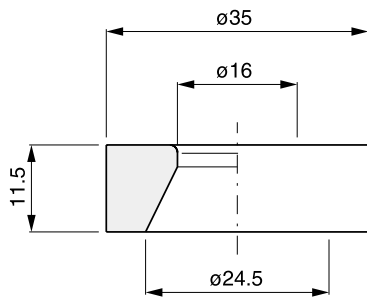




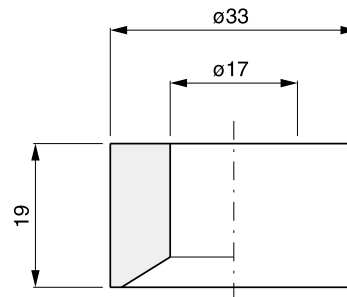


COD.	D	d	d'	H	h	h'
034.0010	30	16	27	12	6	6
034.0006	32	15	28	12	7	5
034.0004	33	17.5	29	10	6.5	3.5
034.0017	32	19.5	28.5	4.5	3	1.5
034.0009	33	18	30	13	9	3
034.0001	35	15	30	13	8	5
034.0002	35	17	30	13	9	4
034.0003	35	15	29	18	12	6
034.0005	35	18	30	9	5.2	3.8
034.0008	35	18	30	14	10	4
034.0015	35.5	17.8	32	11.8	4.7	7.1
034.0485	36.4	17	27	10	7.1	2.9
034.0016	40	17	37	10	3	7
034.0007	45.5	29.5	43.5	9	6	3
034.0011	46	15	40.5	19	11	8

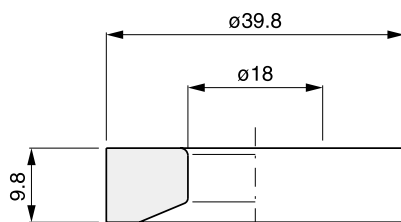
034.0012



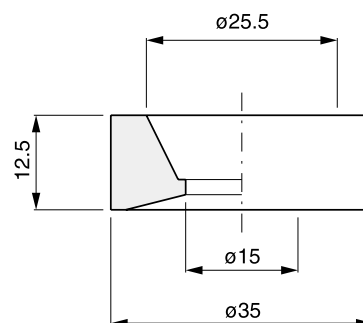
034.0013

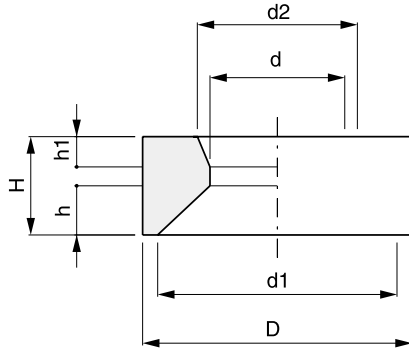


034.0014

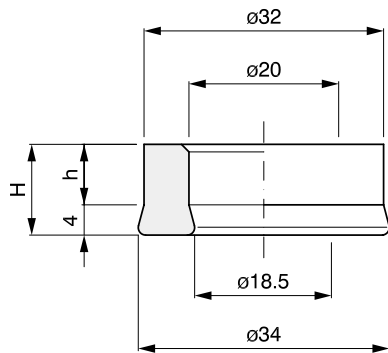


034.0108



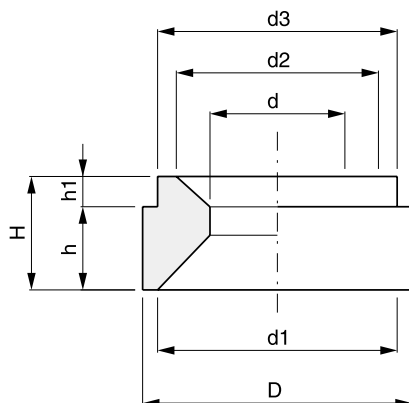
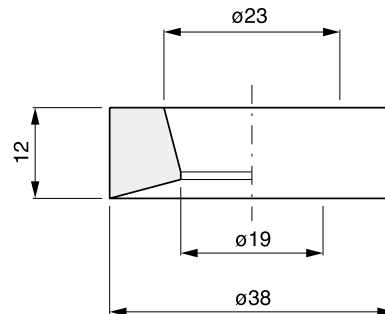


COD.	D	d	d1	d2	H	h	h1
034.0103	32	18	31.5	22	11.5	4.5	4
034.0104	32	18	30	22	10	5	5
034.0102	34	17	24.5	31	14	3	9.5
034.0101	35	18	30	24	16	4	7
034.0105	35	17	31	24.5	15	4	11
034.0106	35	16	28	26	14.5	3	8.5
034.0107	35	16	30	24	16	4.5	9
034.0111	35.5	19	/	/	15.5	6	6
034.0100	36	18	32	22	13	6	4
034.0114	36	17	-	21.5	12	4	3
034.0113	36	17.5	-	22.5	9.75	2.85	2.5



COD.	H	h
034.0408	8	4
034.0109	12	8

034.0110



COD.	D	d	d1	d2	d3	H	h	h1
034.0213	35	17	29	22	31.7	12	7	5
034.0214	35.5	15	29.5	22	31.7	15	10	5
034.0200	36	18	30	25	30	13	10	3
034.0202	36	18	32	27	32	14.5	10.5	4
034.0203	36	15	27	20	29.5	12	6	6
034.0204	36	18	32	22	29	11	8	3
034.0205	36	18	31	25	29.5	13	10	3
034.0206	36	17	30	27	30	13	8	5
034.0212	36	18	32.5	20	32	17	7	10
034.0207	37	18	30	22	31	14	9	5
034.0209	40	15	35	25	35	15	7.5	7.5
034.0210	40	16	35	25	35	15	7.5	7.5
034.0211	40	18	39	26	32	14	10	4
034.0201	45	19	45	23	40	14.5	8.5	6
034.0208	45	15	30	20	32	12	10	2
034.0222	46	15	41	20	34	21	14	7

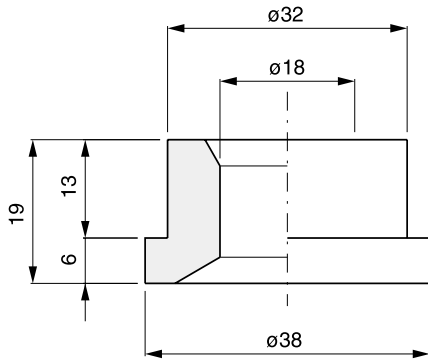
TAP WASHERS

JOINTS DE ROBINET

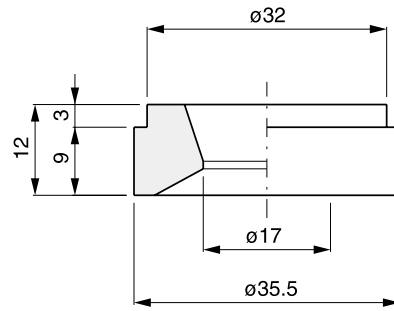
ANPRESSGUMMI

JUNTAS PARA GRIFO

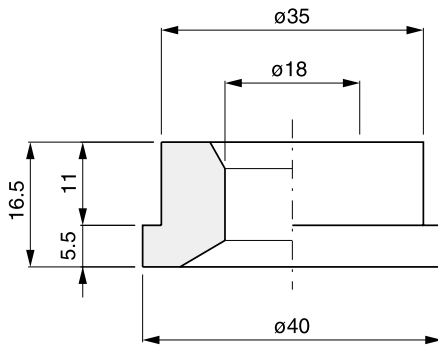
034.0215



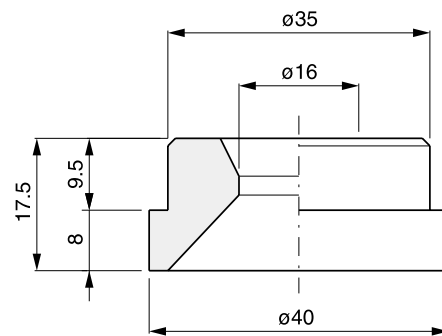
034.0216



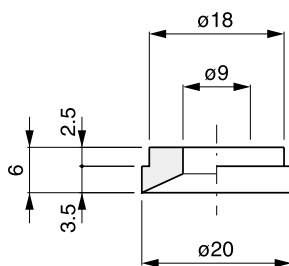
034.0217



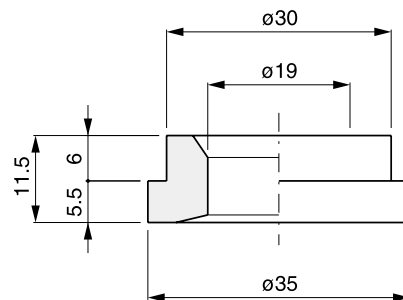
034.0218



034.0219



034.0220



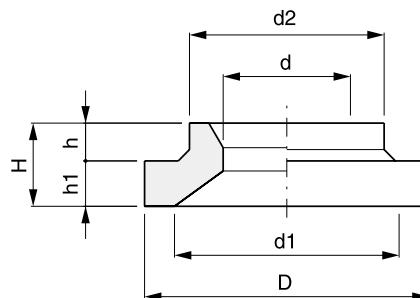
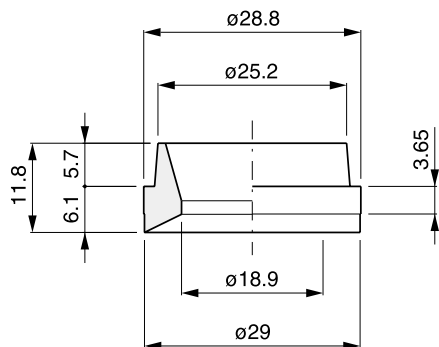
TAP WASHERS

JOINTS DE ROBINET

ANPRESSGUMMI

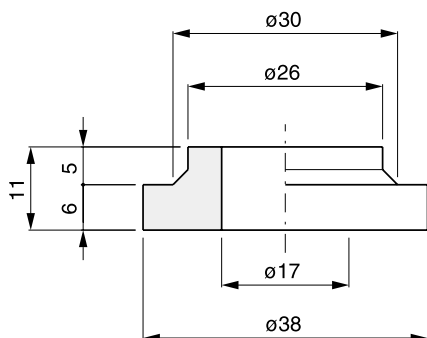
JUNTAS PARA GRIFO

034.0221

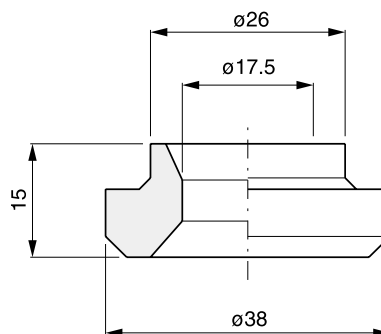


COD.	D	d	d1	d2	H	h	h1
034.0304	33	12	21	22	9.5	5	4.5
034.0300	38	17	30	26	11	5	6
034.0301	38	17	23	26	11	5	6
034.0302	38	18	30	26	11	6	5
034.0305	38	18	30	32	12	5	7

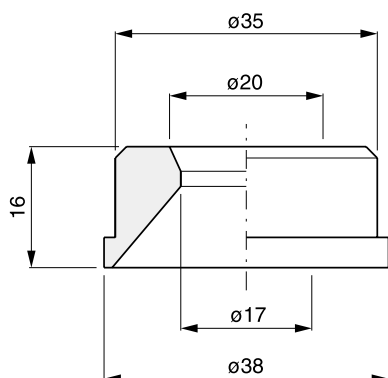
034.0303



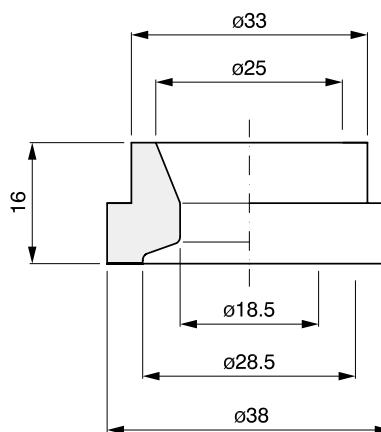
034.0400



034.0401



034.0402



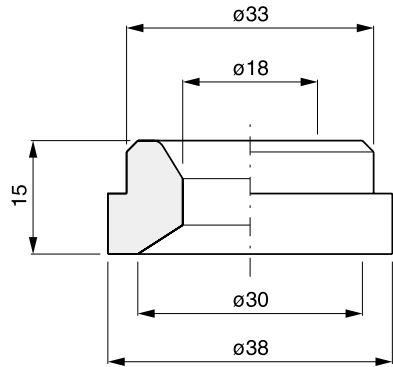
TAP WASHERS

JOINTS DE ROBINET

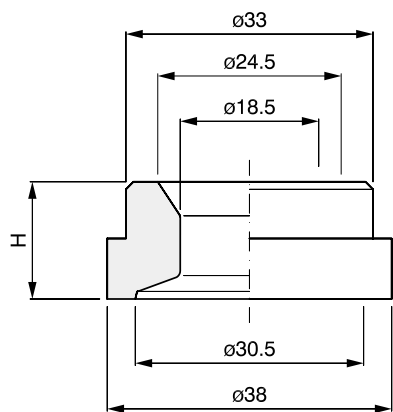
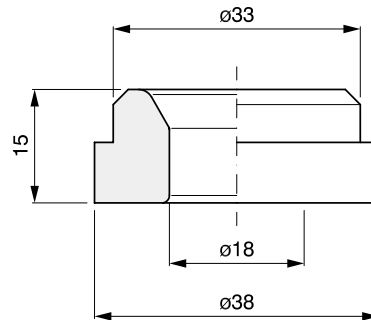
ANPRESSGUMMI

JUNTAS PARA GRIFO

034.0404

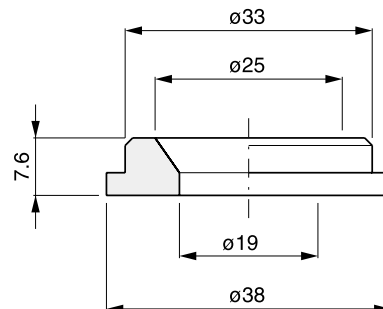


034.0467

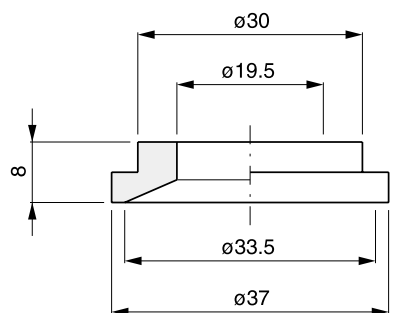


COD.	H
034.0403	13
034.0466	15.5

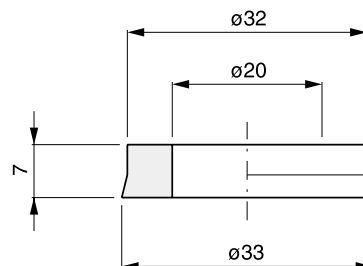
034.0405



034.0406



034.0407



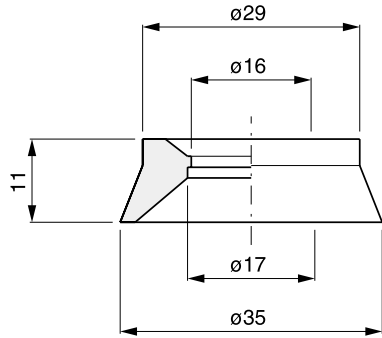
TAP WASHERS

JOINTS DE ROBINET

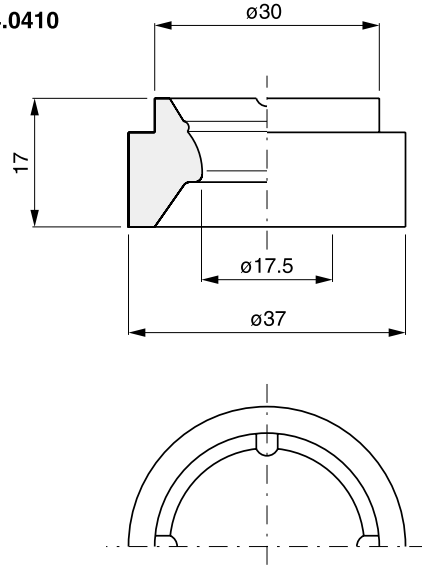
ANPRESSGUMMI

JUNTAS PARA GRIFO

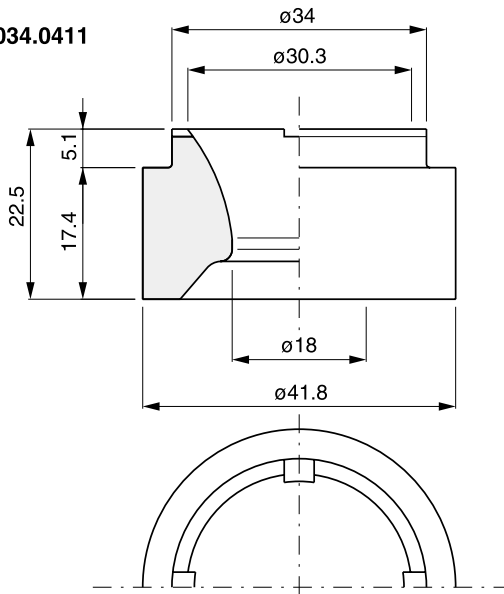
034.0409



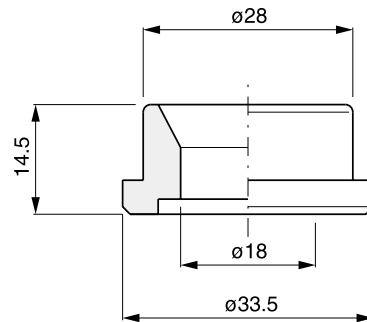
034.0410



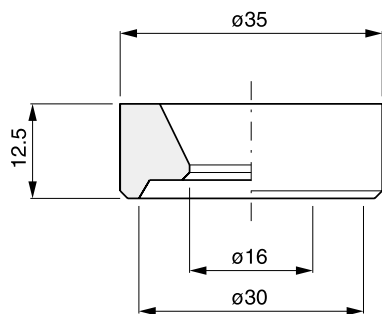
034.0411



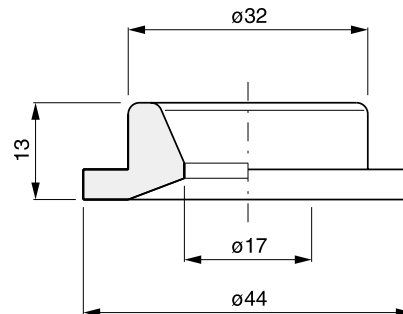
034.0412



034.0413



034.0414

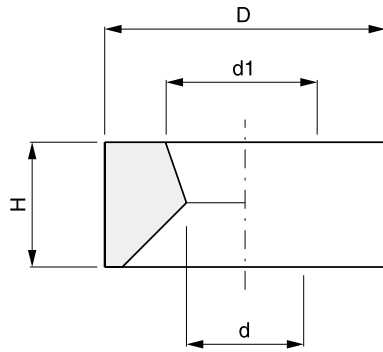


TAP WASHERS

JOINTS DE ROBINET

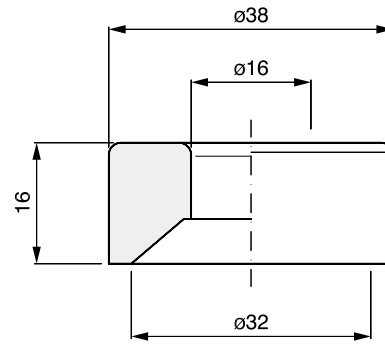
ANPRESSGUMMI

JUNTAS PARA GRIFO

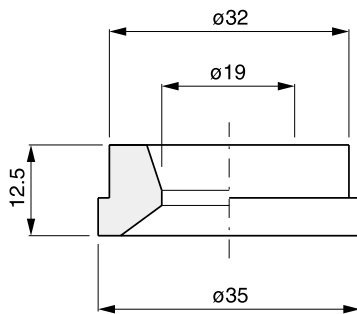


COD.	D	d	d1	H
034.0415	37,5	15,5	17	17
034.0490	35	17	18,5	11,7

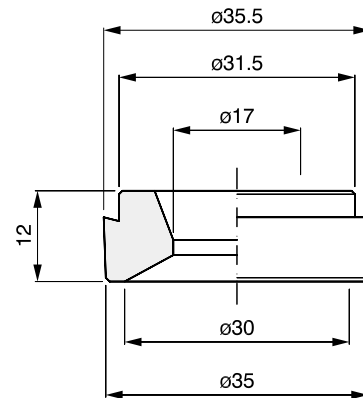
034.0416



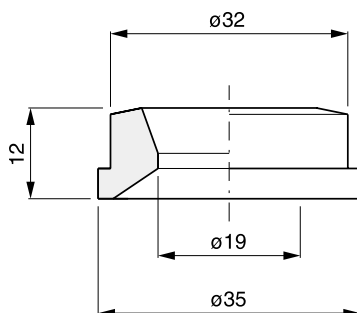
034.0417



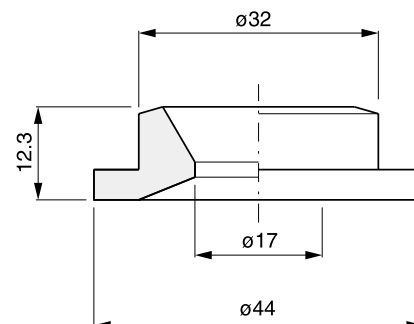
034.0418



034.0419



034.0420

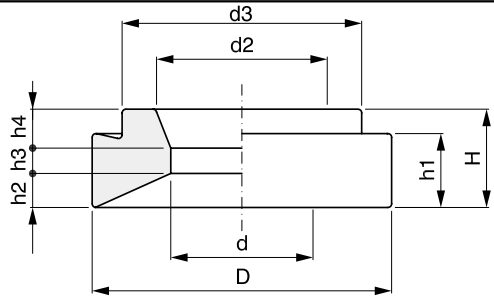


TAP WASHERS

JOINTS DE ROBINET

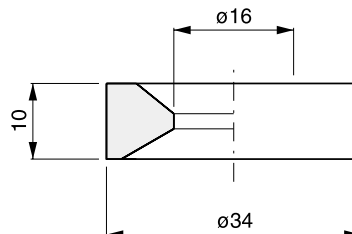
ANPRESSGUMMI

JUNTAS PARA GRIFO

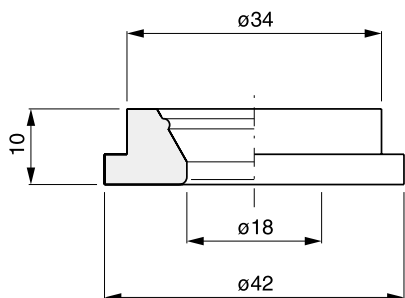


COD.	D	d	d2	d3	h1	h2	h3	h4	H
034.0421	40	17	20,5	32	9,9	5	5	3	13
034.0422	40	19	23	32	9,9	4,5	1	7,5	13
034.0442	40	19	23	32	9,9	4,5	3	5,5	13
034.0448	40	19	23	32	9,9	4,6	5,6	2,8	13
034.0452	40	19	26	32	10	4,5	1	9,5	15
034.0523	40	19	23	32	11.9	6.5	3	5.5	15
034.0454	40	21	23	32	9.5	3.8	4.7	4	12.5
034.0521	56	17	20.5	41	5.5	-	-	-	10.5

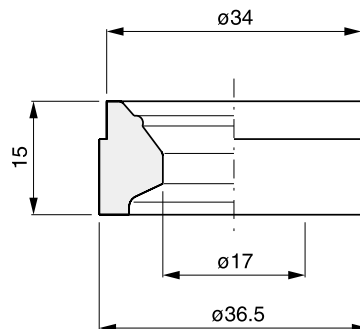
034.0423



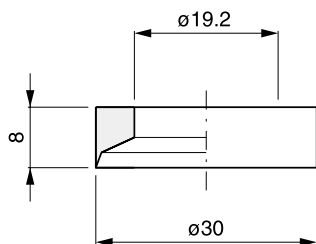
034.0424



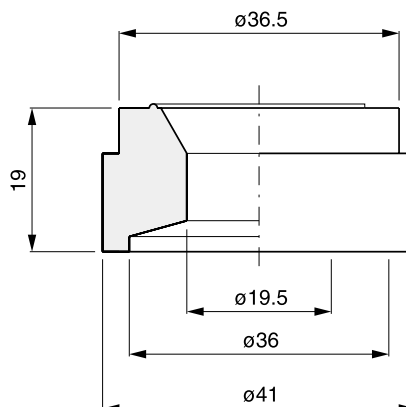
034.0425



034.0426



034.0428



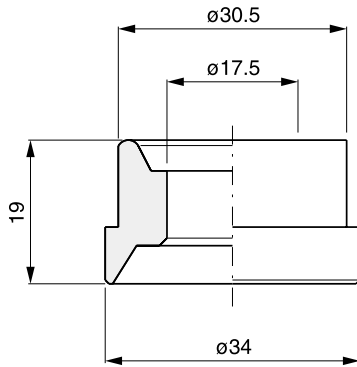
TAP WASHERS

JOINTS DE ROBINET

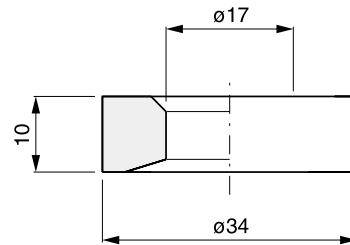
ANPRESSGUMMI

JUNTAS PARA GRIFO

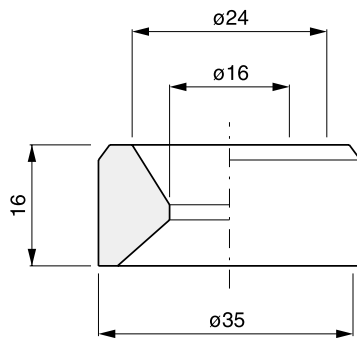
034.0429



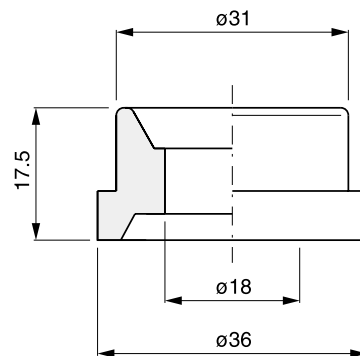
034.0430



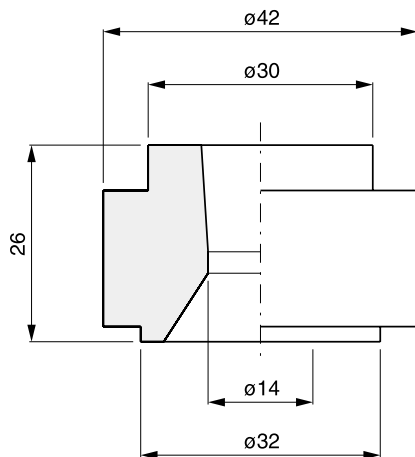
034.0431



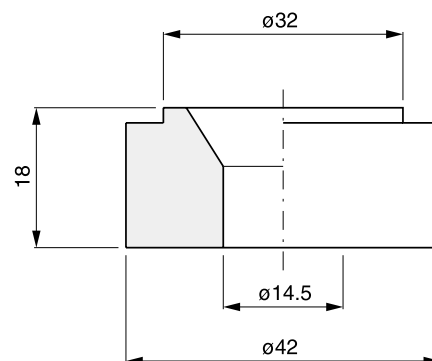
034.0432



034.0433



034.0434



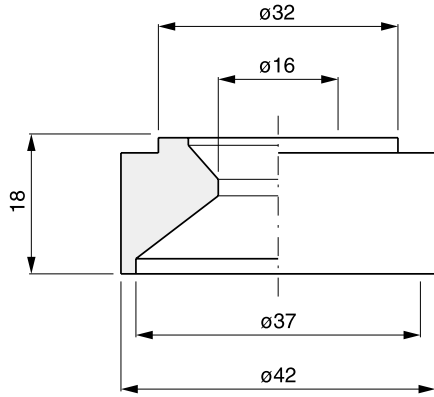
TAP WASHERS

JOINTS DE ROBINET

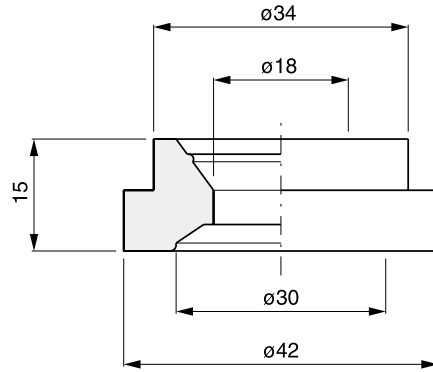
ANPRESSGUMMI

JUNTAS PARA GRIFO

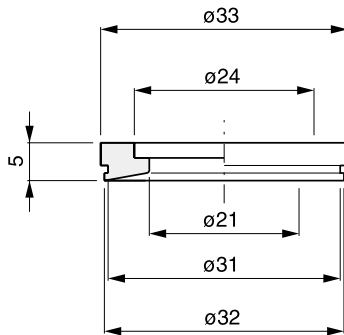
034.0435



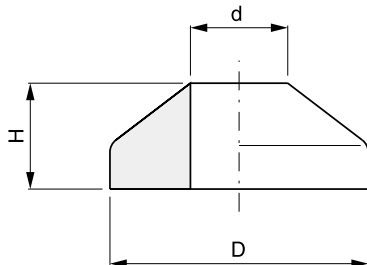
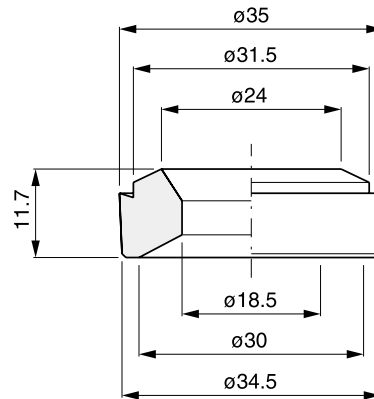
034.0436



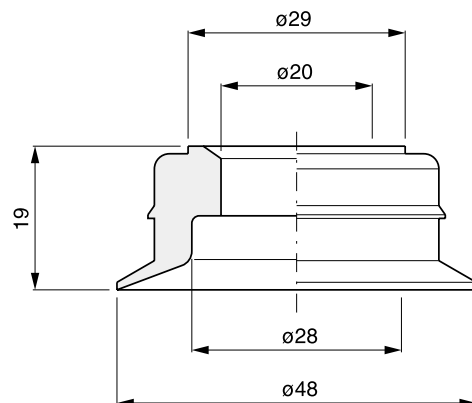
034.0437



034.0438



034.0444



COD.	D	d	H
034.0441	22	13.5	14
034.0440	25	13.5	11.5
034.0443	30	14.5	14
034.0451	30	11	14
034.0500	30	13.5	14
034.0439	34.5	13	14
034.0499	34.5	15.8	14

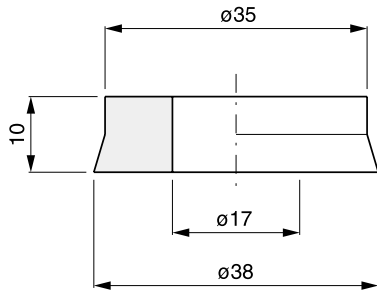
TAP WASHERS

JOINTS DE ROBINET

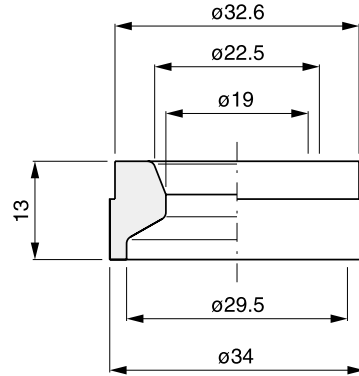
ANPRESSGUMMI

JUNTAS PARA GRIFO

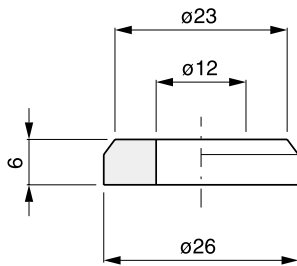
034.0445



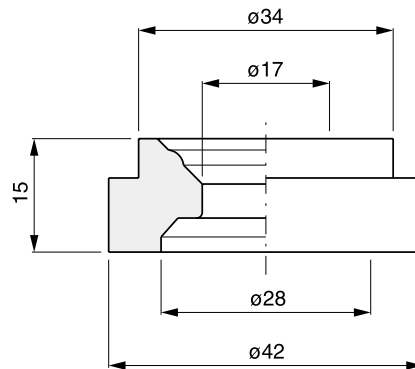
034.0446



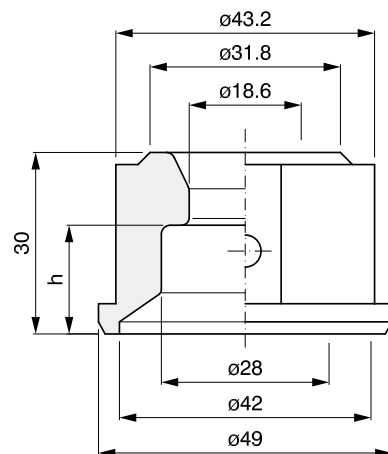
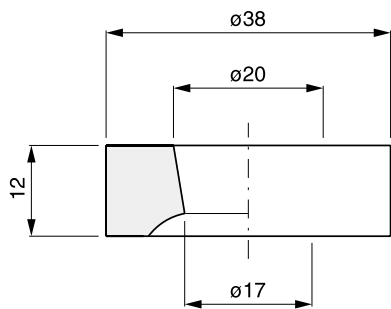
034.0447



034.0449



034.0450



COD.	h
034.0453	18.5
034.04531	15

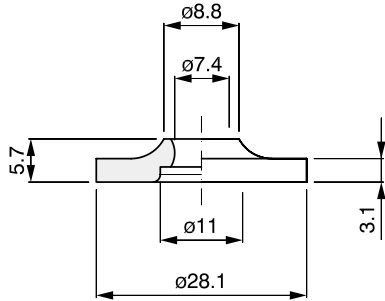
TAP WASHERS

JOINTS DE ROBINET

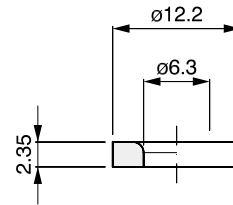
ANPRESSGUMMI

JUNTAS PARA GRIFO

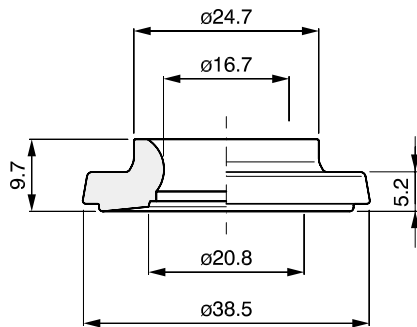
034.0456



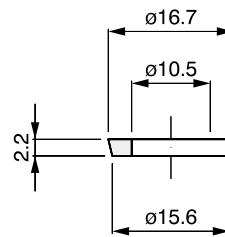
034.0457



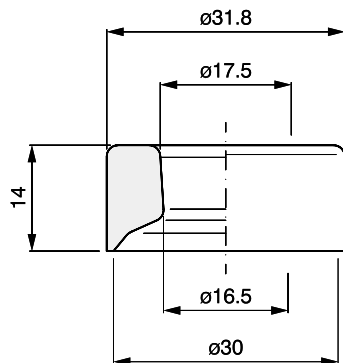
034.0459



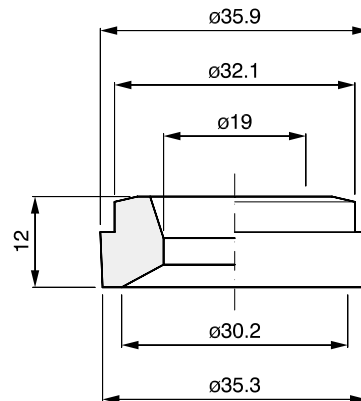
034.0461



034.0462



034.0463



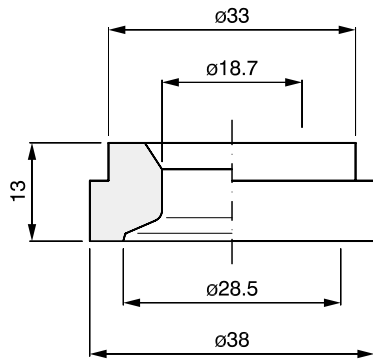
TAP WASHERS

JOINTS DE ROBINET

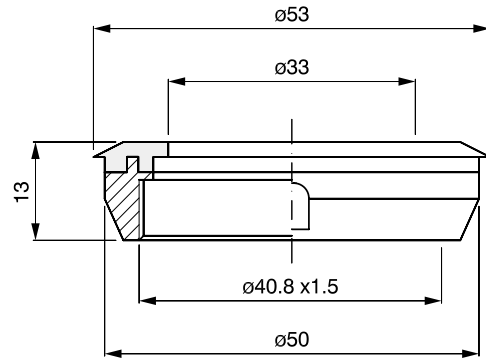
ANPRESSGUMMI

JUNTAS PARA GRIFO

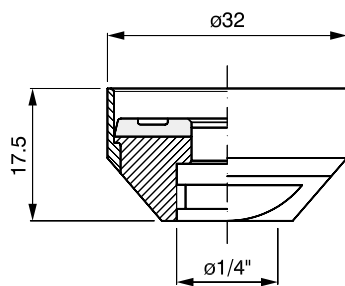
034.0465



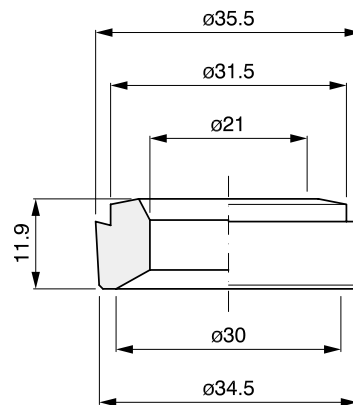
034.0468



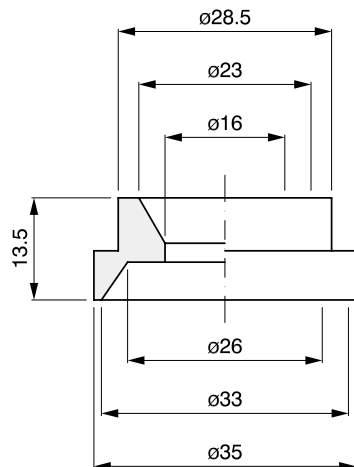
034.0469



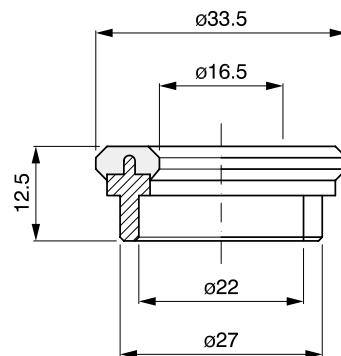
034.0470



034.0471



034.0472



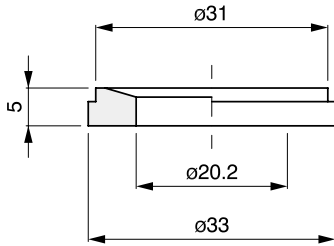
TAP WASHERS

JOINTS DE ROBINET

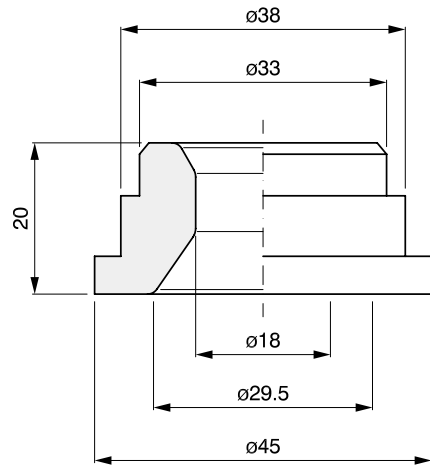
ANPRESSGUMMI

JUNTAS PARA GRIFO

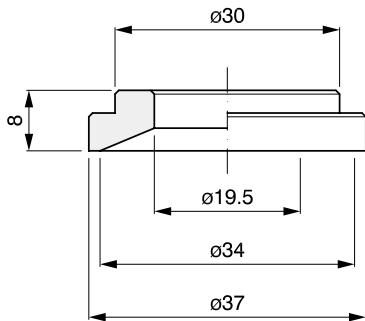
034.0473



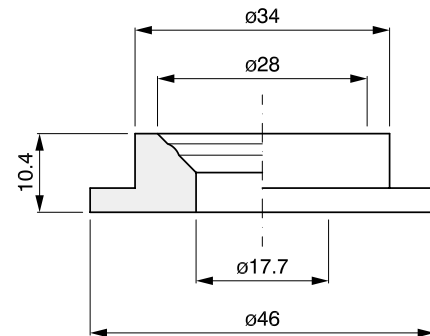
034.0474



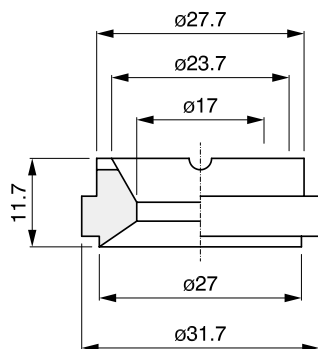
034.0475



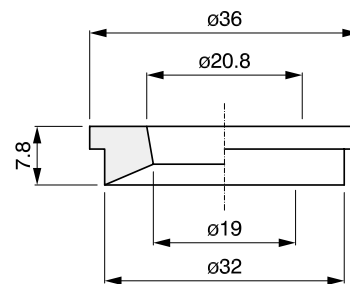
034.0476



034.0479



034.0484

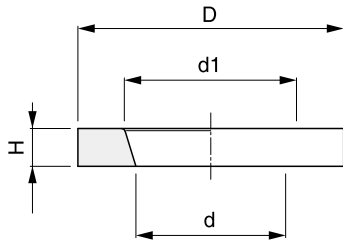


TAP WASHERS

JOINTS DE ROBINET

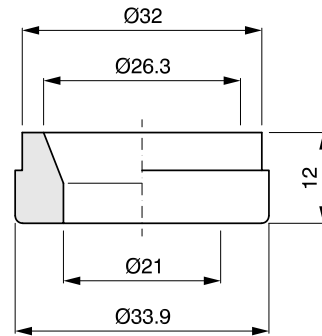
ANPRESSGUMMI

JUNTAS PARA GRIFO

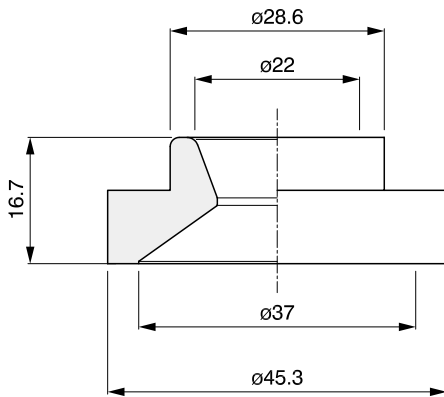


COD.	D	d	d1	H
034.0487	35.5	20	23	5
034.04871	42	19.5	22.5	4

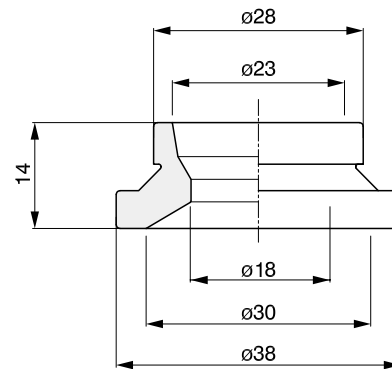
034.0488



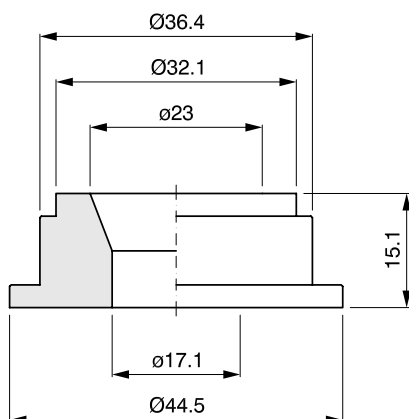
034.0489



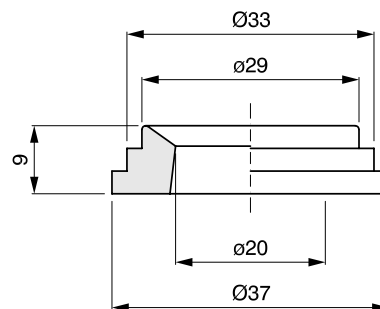
034.0492



034.0493



034.0494



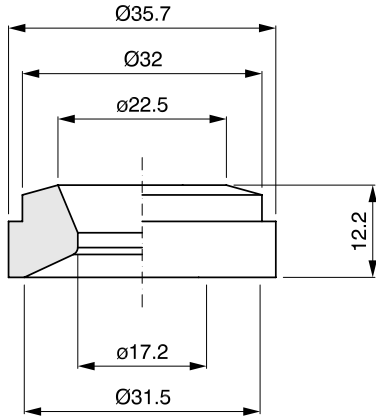
TAP WASHERS

JOINTS DE ROBINET

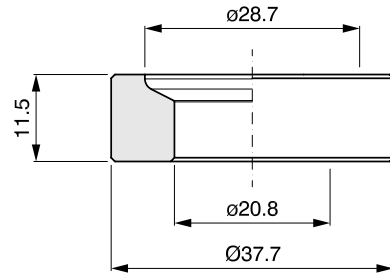
ANPRESSGUMMI

JUNTAS PARA GRIFO

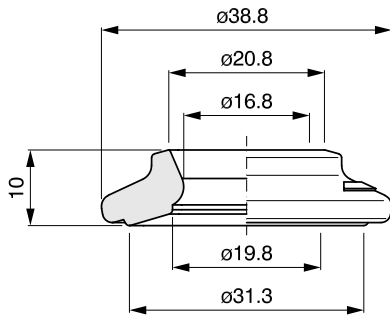
034.0496



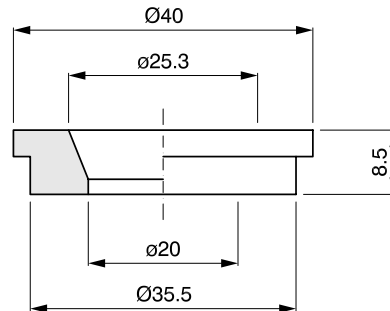
034.0497



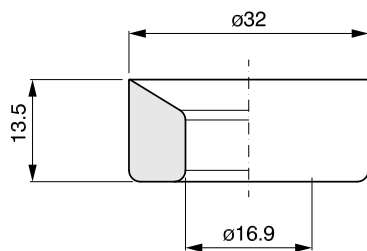
034.0501



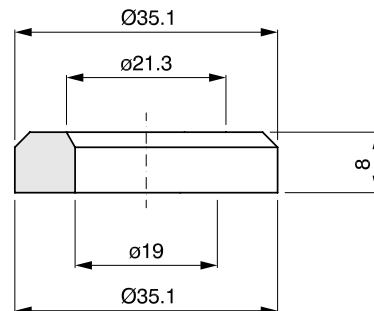
034.0502



034.0503



034.0504



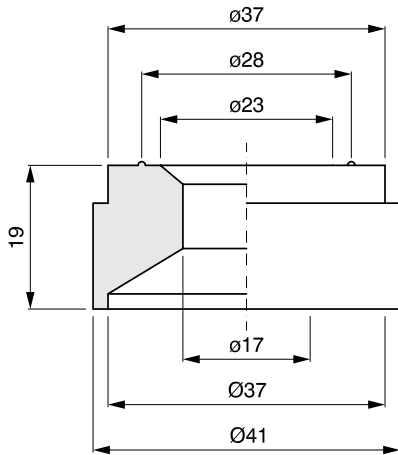
TAP WASHERS

JOINTS DE ROBINET

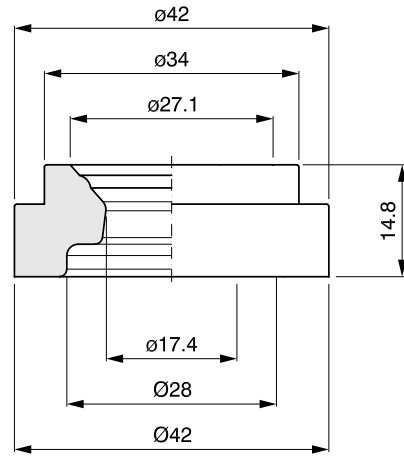
ANPRESSGUMMI

JUNTAS PARA GRIFO

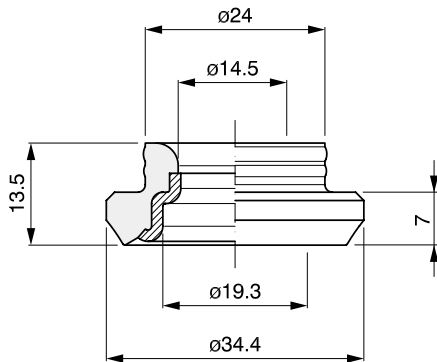
034.0506



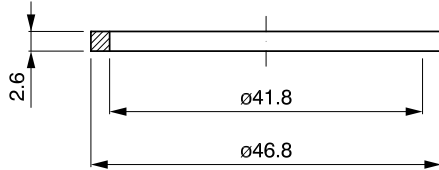
034.0509



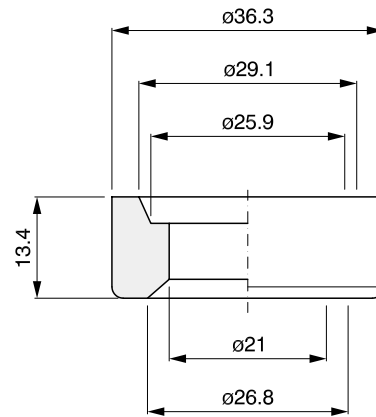
200.0080



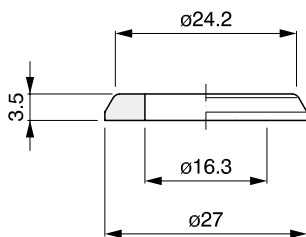
200.0033



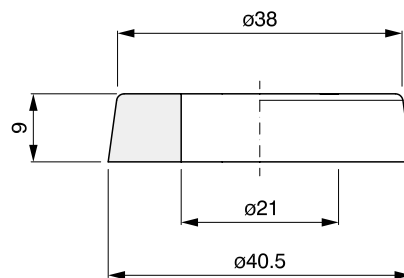
034.0518



034.0519



034.0520



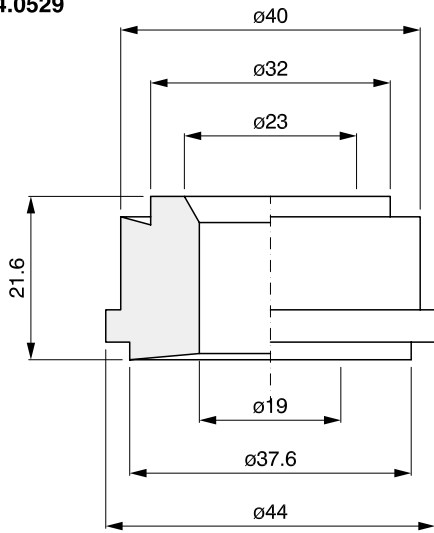
TAP WASHERS

JOINTS DE ROBINET

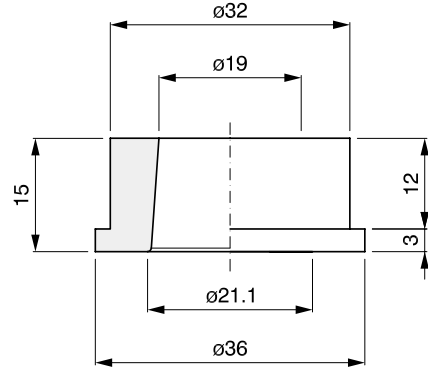
ANPRESSGUMMI

JUNTAS PARA GRIFO

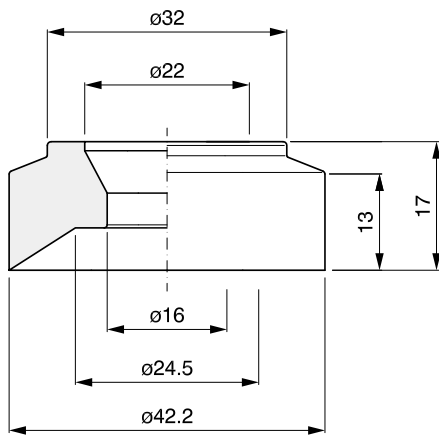
034.0529



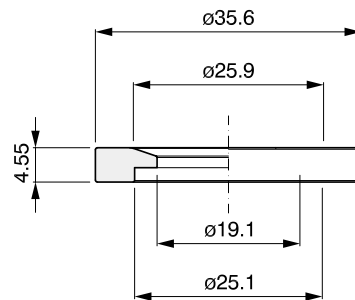
034.0549



034.0551



035.0058

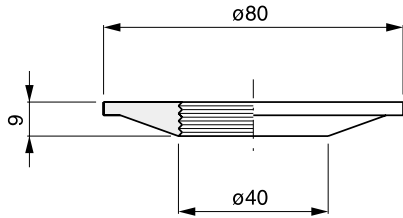




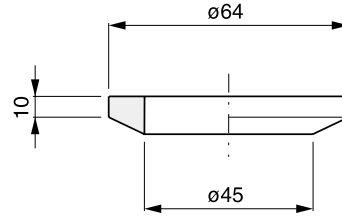
TIN CONVEYING SYSTEM SEALS
DOSEN-DICHTUNG

JOINTS POUR REMPLISSEUSES DE CANETTES
JUNTAS PARA EMBOCADURA LATAS

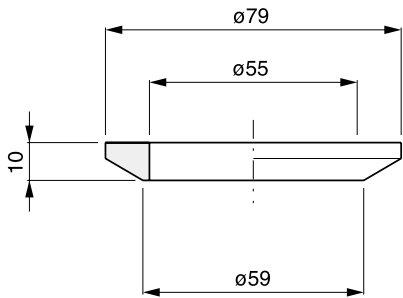
035.1500



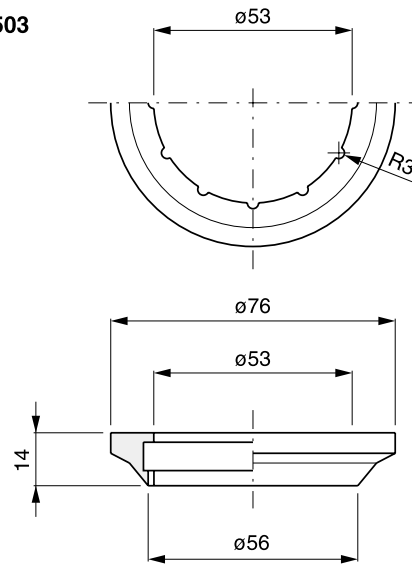
035.1501



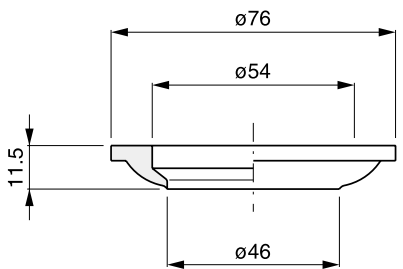
035.1502



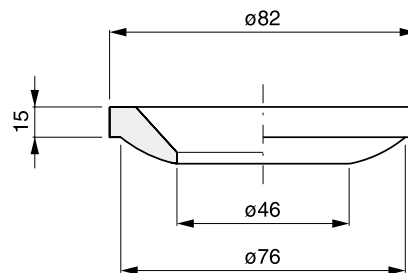
035.1503



035.1504



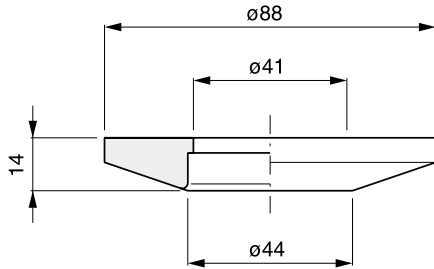
035.1505



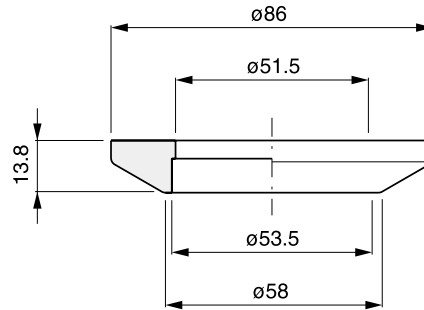
TIN CONVEYING SYSTEM SEALS
DOSEN-DICHTUNG

JOINTS POUR REMPLISSEUSES DE CANETTES
JUNTAS PARA EMBOCADURA LATAS

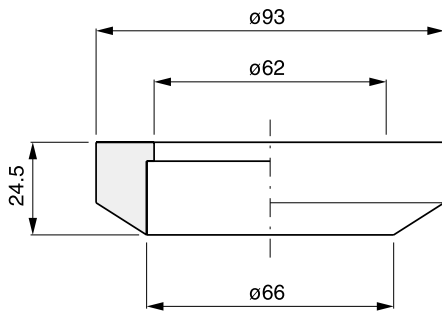
035.1506



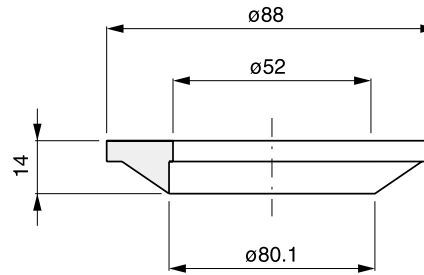
035.1507



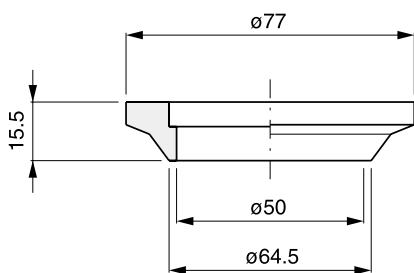
035.1508



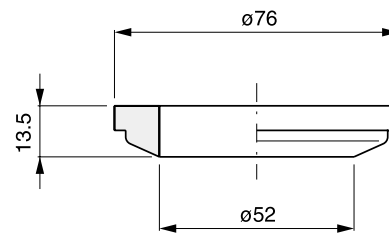
035.1509



035.1510



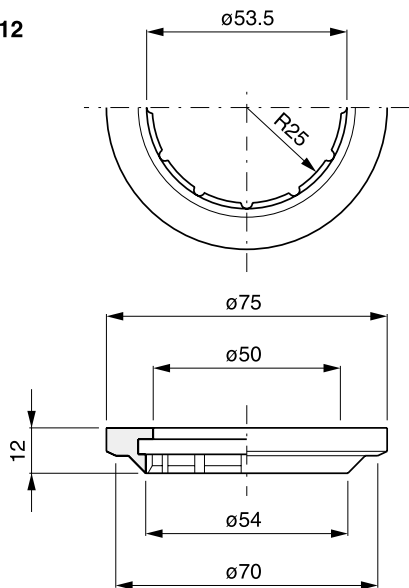
035.1511



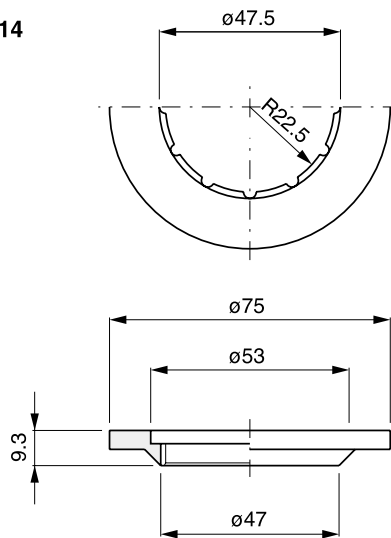
TIN CONVEYING SYSTEM SEALS
DOSEN-DICHTUNG

JOINTS POUR REMPLISSEUSES DE CANETTES
JUNTAS PARA EMBOCADURA LATAS

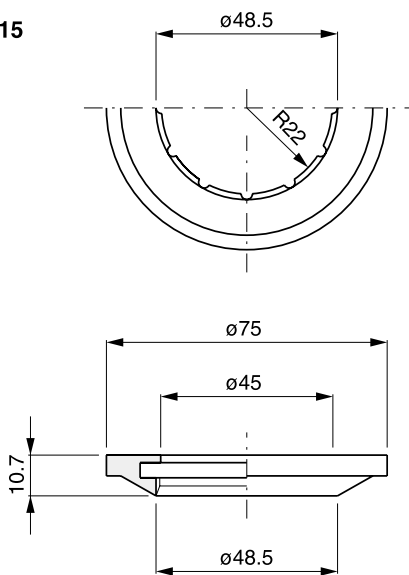
035.1512



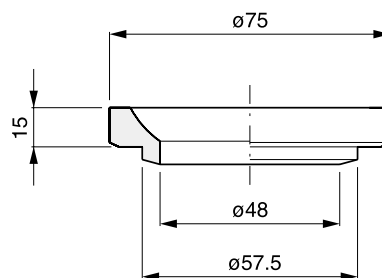
035.1514



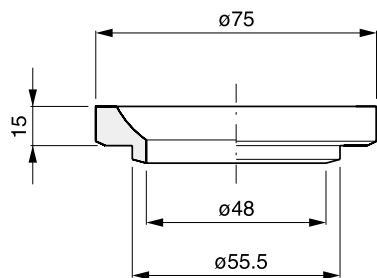
035.1515



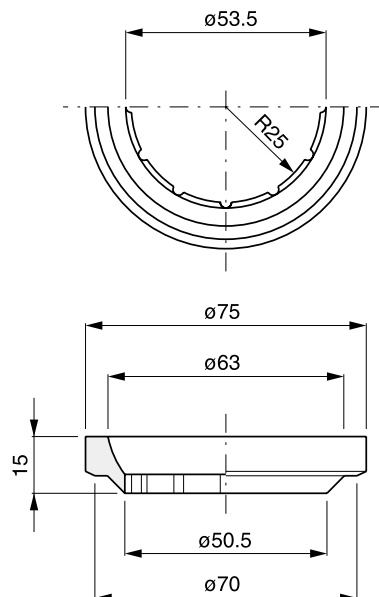
035.1516



035.1517



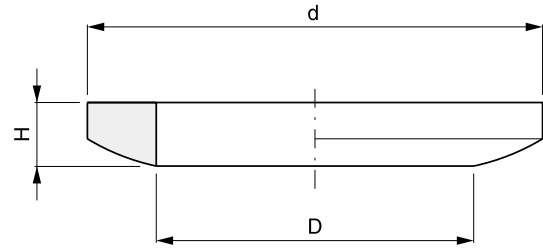
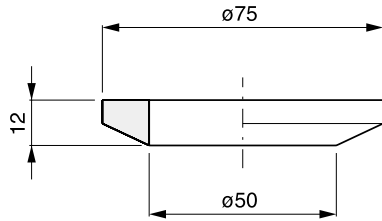
035.1518



TIN CONVEYING SYSTEM SEALS
DOSEN-DICHTUNG

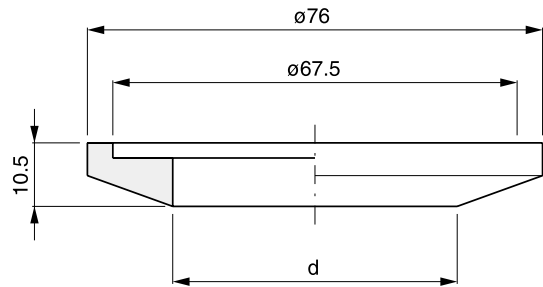
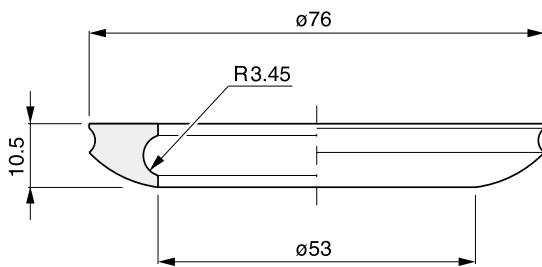
JOINTS POUR REMPLISSEUSES DE CANETTES
JUNTAS PARA EMBOCADURA LATAS

035.1519



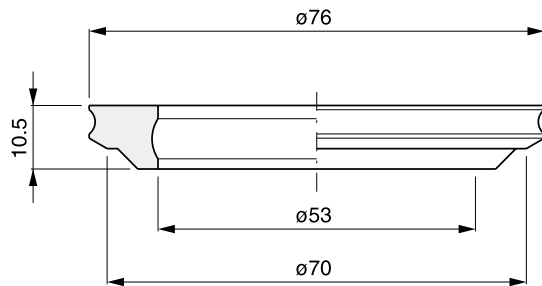
COD.	D	d	H
035.1520	76	53	10.5
035.1529	95	73	10.5

035.1521

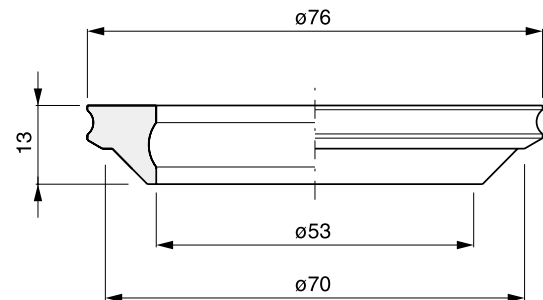


COD.	d
035.1522	47.5
035.1523	56.5

035.1524



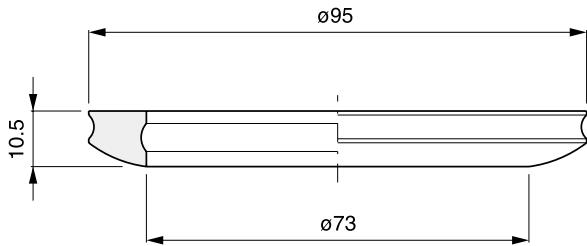
035.1525



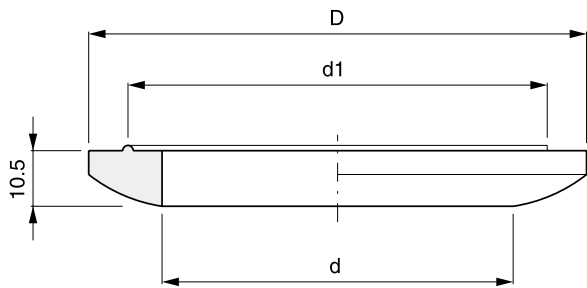
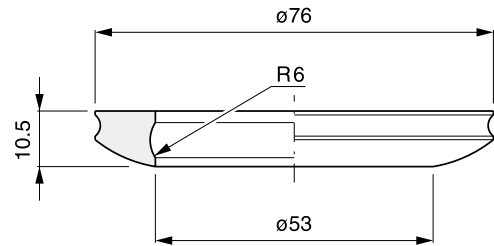
TIN CONVEYING SYSTEM SEALS
DOSEN-DICHTUNG

JOINTS POUR REMPLISSEUSES DE CANETTES
JUNTAS PARA EMBOCADURA LATAS

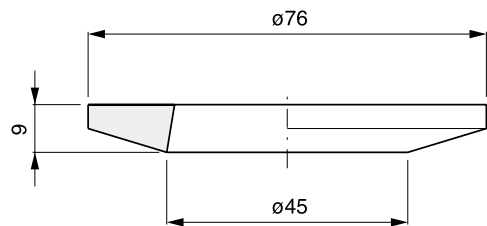
035.1526



035.1527

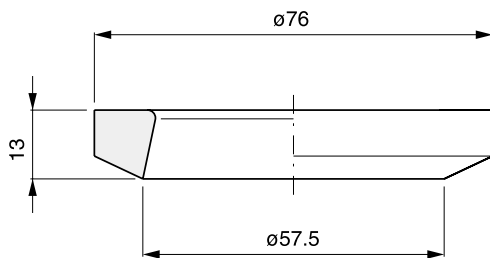


035.1533

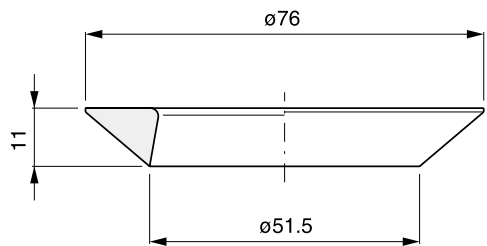


COD.	D	d	d1
035.1531	76	45	65
035.1532	76	53	65
035.1528	95	67	80
035.1530	95	58	76

035.1534



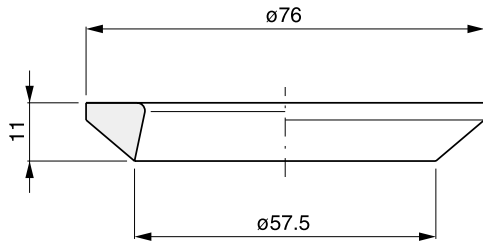
035.1535



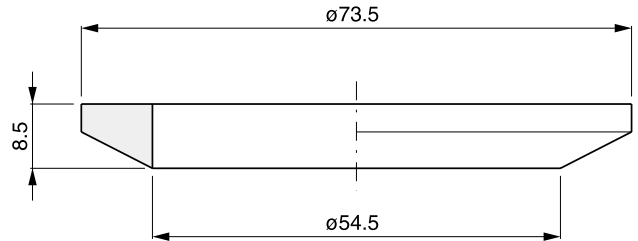
TIN CONVEYING SYSTEM SEALS
DOSEN-DICHTUNG

JOINTS POUR REMPLISSEUSES DE CANETTES
JUNTAS PARA EMBOCADURA LATAS

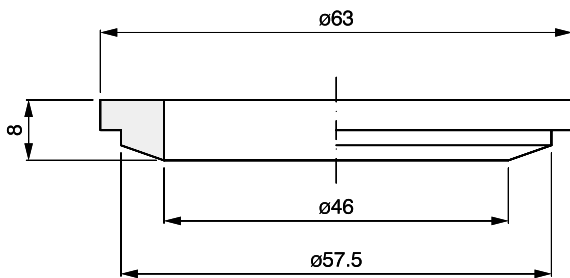
035.1536



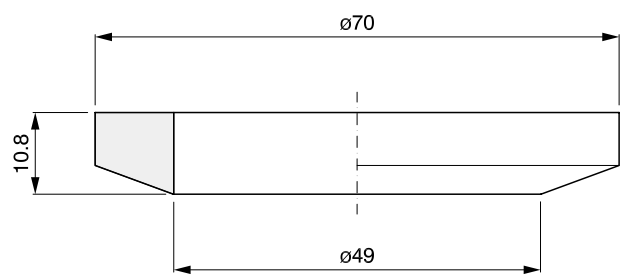
035.1537



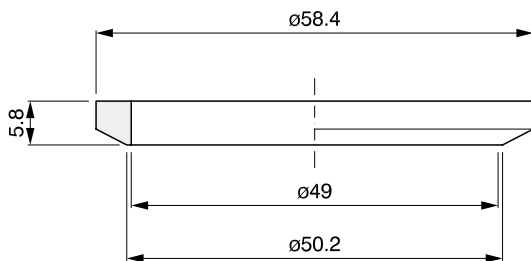
035.1538



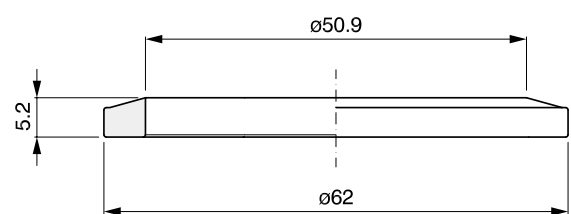
035.1549



035.1553



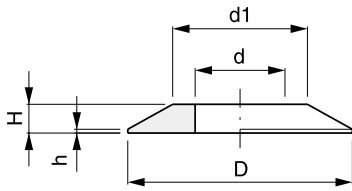
035.1561



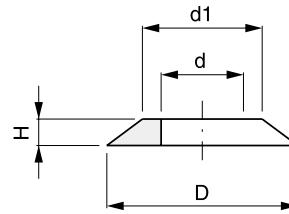


**FILLING MACHINE SEALS
DICHTUNGEN FÜR ABFÜLLMASCHINEN**

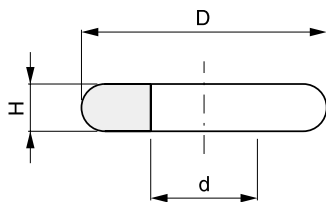
**JOINTS POUR SOUTIREUSES
JUNTAS PARA LLENADORAS**



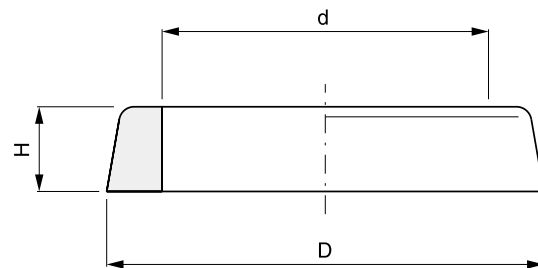
COD.	D	d	d1	H	h
035.0056	21.3	10.9	16.8	3.2	1.7
035.0013	24	10.5	16.5	4	0.25
035.0008	24	11	16.8	3.3	0.8
035.0055	24.4	11.8	19.4	3	1.85
035.0005	26	12.1	18	3.5	0.5
035.0006	26	11.6	17	3.5	0.4
035.0054	26	12	19.2	3	1.30
035.0007	27	11.5	19	3.5	0.4
035.0002	28	15	18	3.8	1.5
035.0009	28	11.8	18	3.5	0.5
035.0001	30	12	18	3.8	0.5
035.0003	34	21	27	3	0.6
035.0004	34	19	27	3	0.6
035.0010	36	22.5	29	3	1.75
035.0011	36	19	27.5	3.4	1
035.0012	37	21	31	3	1



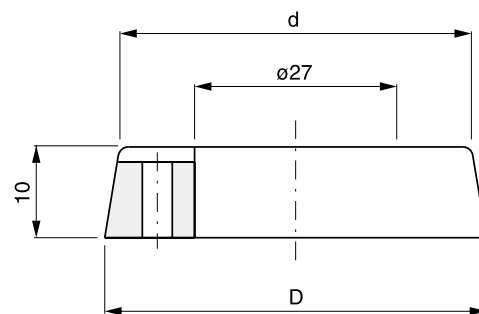
COD.	D	d	d1	H
035.0052	24	8	13	5
035.0050	25.5	11	16	3.5
035.0051	26	10	17	3.7
035.0053	30	18	27	6



COD.	D	d	H
035.0101	8	2	2.5
035.0107	8	2.3	1.8
035.0123	8	2.5	2.3
035.0122	8.5	2.2	2.4
035.0110	8.5	2.5	2.5
035.0130	8.6	3.2	2.6
035.0104	9	2	2.5
035.0112	9	2.7	2.4
035.0113	10	4.7	2.4
035.0116	10	3.2	2.4
035.0120	10.6	5.2	2.6
035.0102	11	4.7	2.4
035.0114	11	4.4	2.5
035.0117	11	4	2.5
035.0127	11.2	6.2	2.5
035.0100	12	4.8	2.6
035.0103	12	4.4	2.4
035.0105	12	4	2.5
035.0121	13	5.8	2.5
035.0115	13.1	5.7	2.5
035.0111	15.5	7.3	2.62
035.0106	18	10.5	2.5
035.0109	18.8	10.6	2.62
035.0108	27	14	3



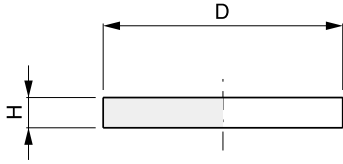
COD.	D	d	H
035.0200	69.3	50	12.5
035.0201	73	54.5	13
035.0202	73.5	57	12.5



COD.	D	d
035.0205	47.5	42.3
035.0206	51	45

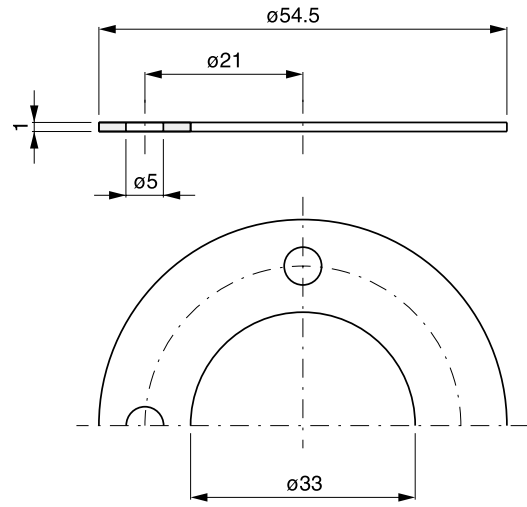
**FILLING MACHINE SEALS
DICHTUNGEN FÜR ABFÜLLMASCHINEN**

**JOINTS POUR SOUTIREUSES
JUNTAS PARA LLENADORAS**

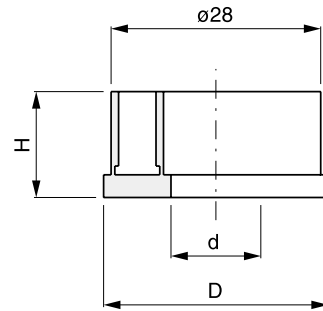
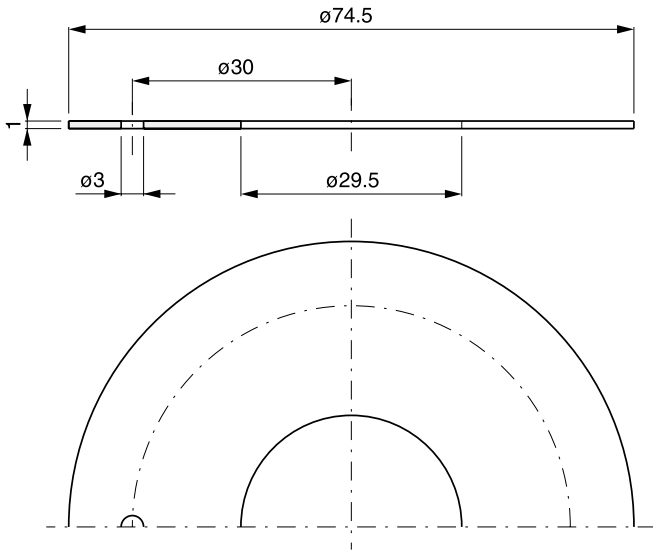


COD.	D	H
035.0213	11	2
035.0210	12.5	3
035.0211	12.5	5
035.0212	14	2

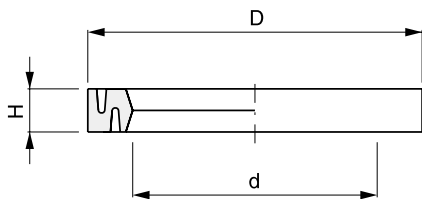
035.0220



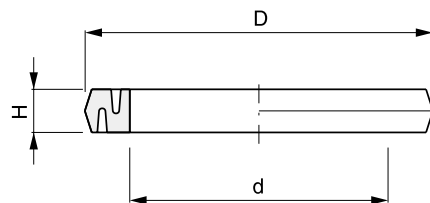
035.0221



COD.	D	d	h
035.0304	30	11	11.9
035.0305	31	10	14



COD.	D	d	H
035.0315	16.5	7.5	2.3
035.0313	18	9.5	2.3
035.0319	20.5	11.5	2.3
035.0311	28	19.4	2.7
035.0310	30.7	20	2.7
035.0312	32.5	20.5	2.7



COD.	D	d	h
035.0301	40	29	2.7
035.0300	45	34.5	2.7

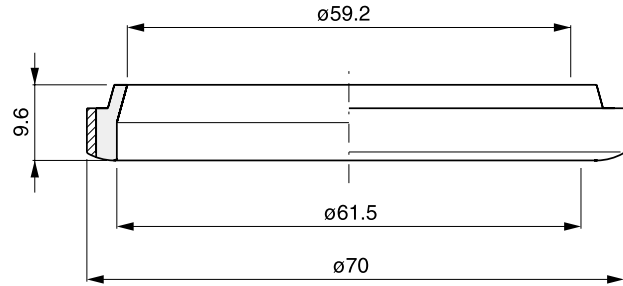
**FILLING MACHINE SEALS
DICHTUNGEN FÜR ABFÜLLMASCHINEN**

**JOINTS POUR SOUTIREUSES
JUNTAS PARA LLENADORAS**

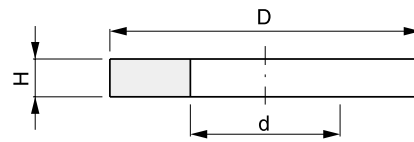
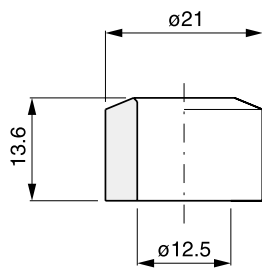
035.0302



035.0303

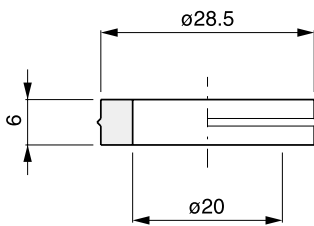


035.0306

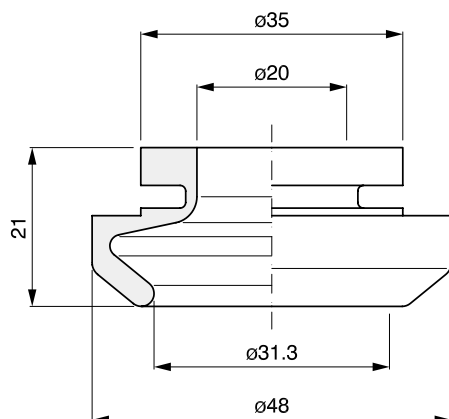


COD.	D	d	H	COD.	D	d	H
035.1004	10	6	4	034.1014	34	20	6
035.1017	11.3	5.5	1.6	034.0458	34.5	14.4	10
035.1007	11.4	6.1	1.5	035.1000	34.5	17	5
035.1008	11.4	5.4	1.5	035.1001	34.5	15	5
035.1025	12	5.5	1.5	200.0036	35	11.5	12
035.1012	16.6	5.5	2	034.0507	40	13.5	10
035.1018	21	5.5	1.9	035.1002	40	24	4
035.1019	22.8	14.2	3	035.1020	43.8	27	2
035.1013	24.5	12	4	035.1015	50	32	3
035.1003	26	14.2	3	035.1021	55.5	25.3	15
035.1011	27	10	3	035.1006	74.5	45	10
035.1016	27.5	12	1.9	035.1005	97	70.5	1
034.0486	34	13.8	10				

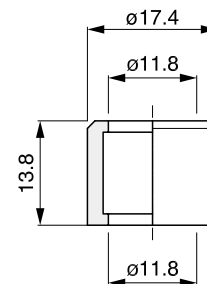
035.0309



035.0324



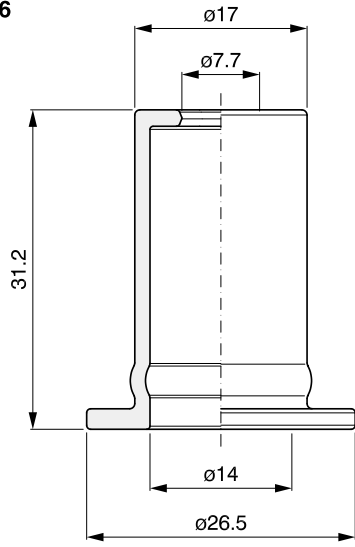
035.0327



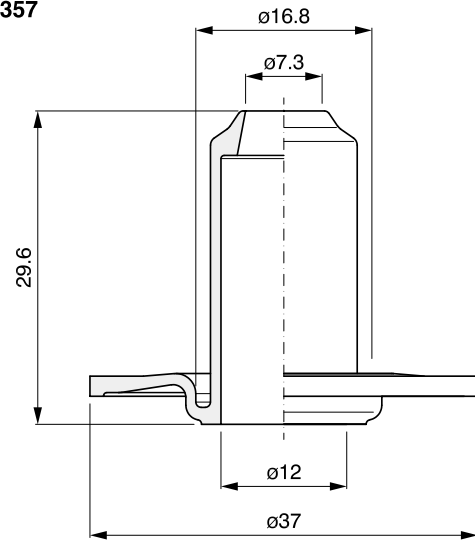
**FILLING MACHINE SEALS
DICHTUNGEN FÜR ABFÜLLMASCHINEN**

**JOINTS POUR SOUTIREUSES
JUNTAS PARA LLENADORAS**

035.0356



035.0357

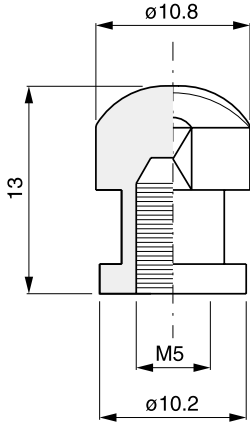




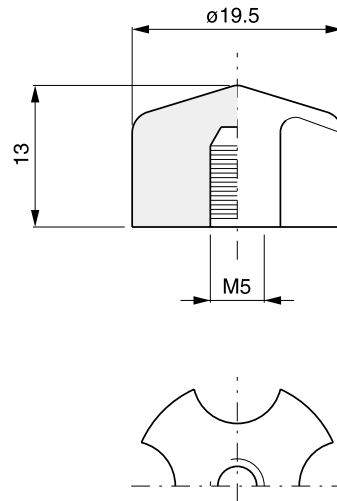
FILLING MACHINE COMPONENTS
KOMPONENTEN FÜR ABFÜLLMASCHINEN

COMPOSANTS POUR SOUTIREUSES
COMPONENTES PARA LLENADORAS

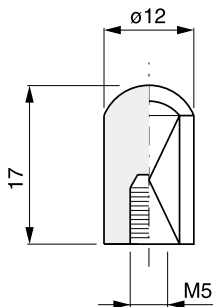
035.2001



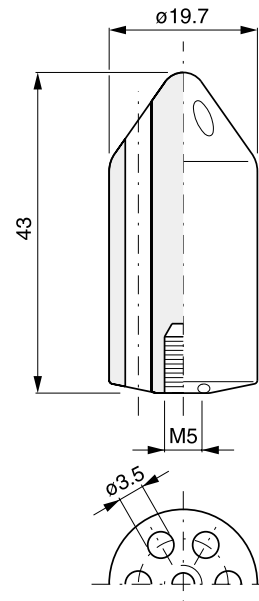
035.2002



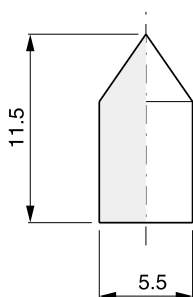
035.2003



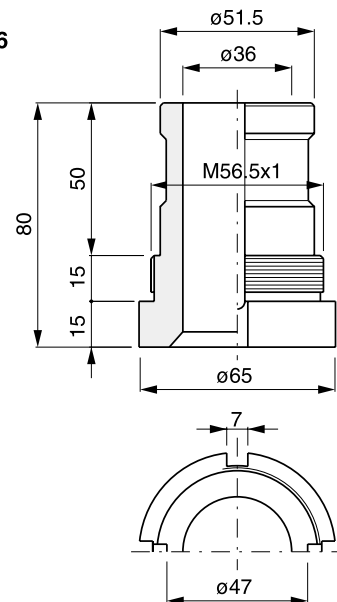
035.2004



035.2005

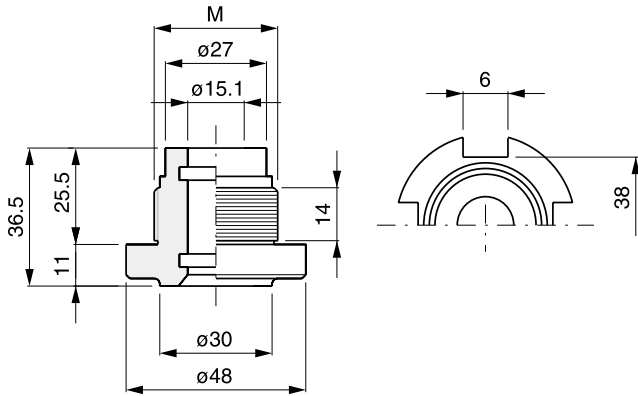


035.2006



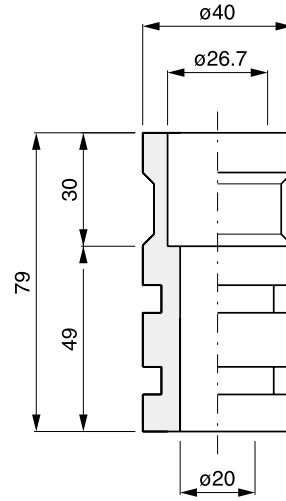
FILLING MACHINE COMPONENTS
KOMPONENTEN FÜR ABFÜLLMASCHINEN

COMPOSANTS POUR SOUTIREUSES
COMPONENTES PARA LLENADORAS

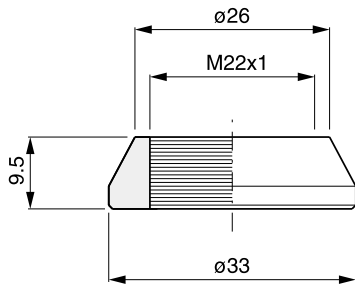


COD.	M
035.02007	33x2
035.02016	33x1

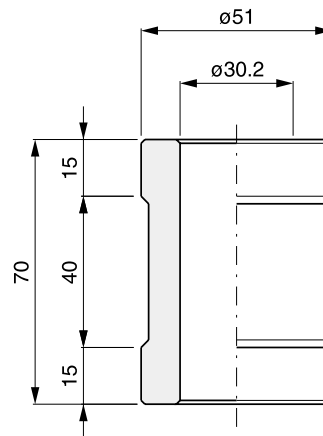
035.2009



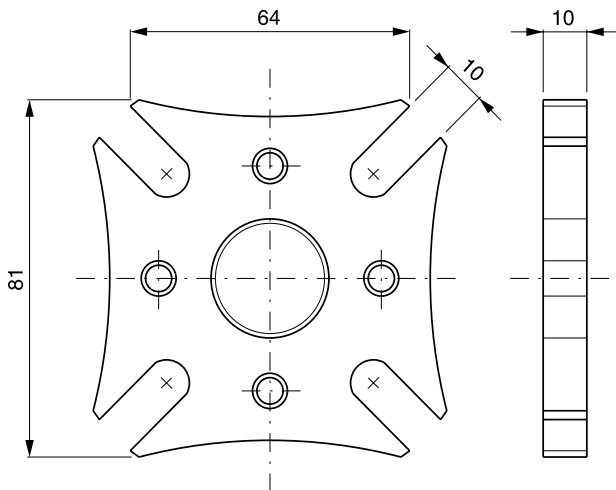
035.2010



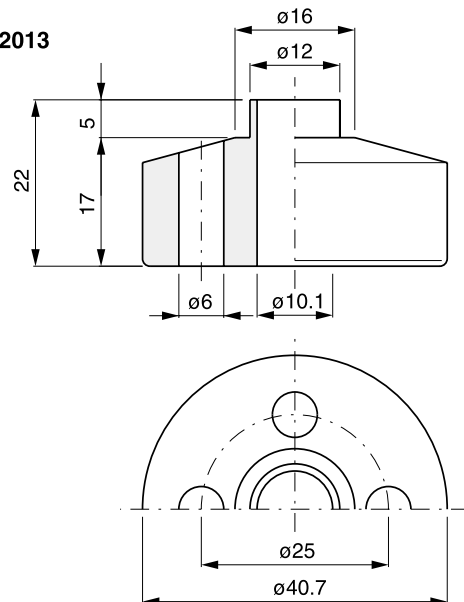
035.2011



035.2012



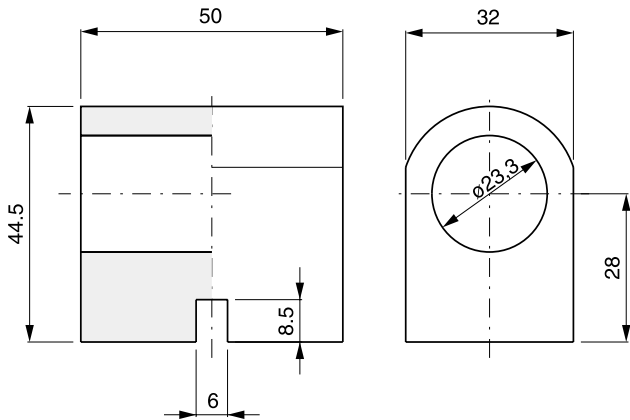
035.2013



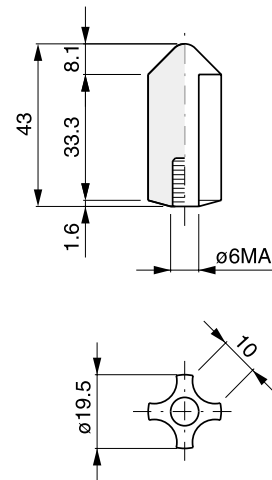
FILLING MACHINE COMPONENTS
KOMPONENTEN FÜR ABFÜLLMASCHINEN

COMPOSANTS POUR SOUTIREUSES
COMPONENTES PARA LLENADORAS

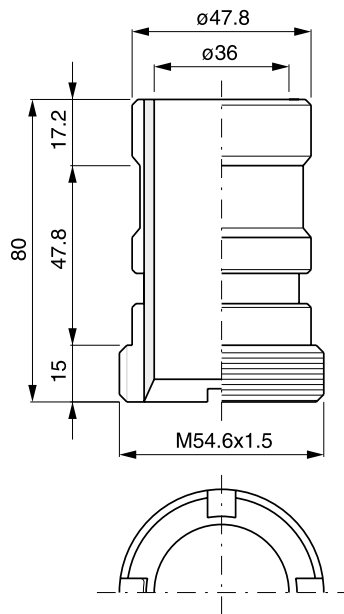
035.2014



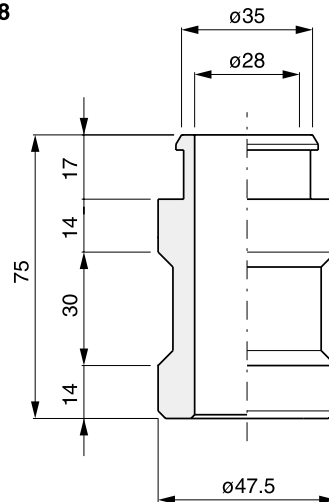
035.2015



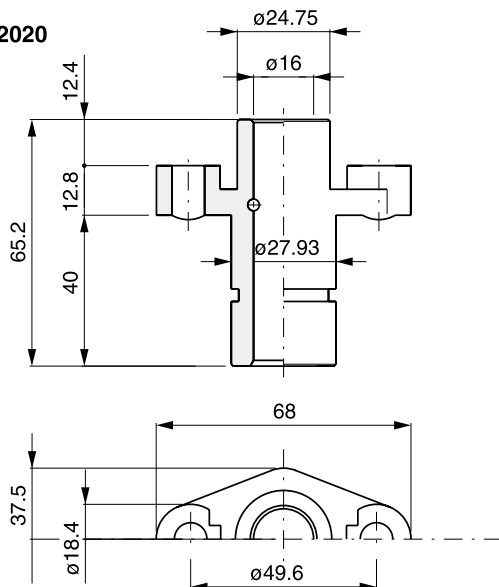
035.2017



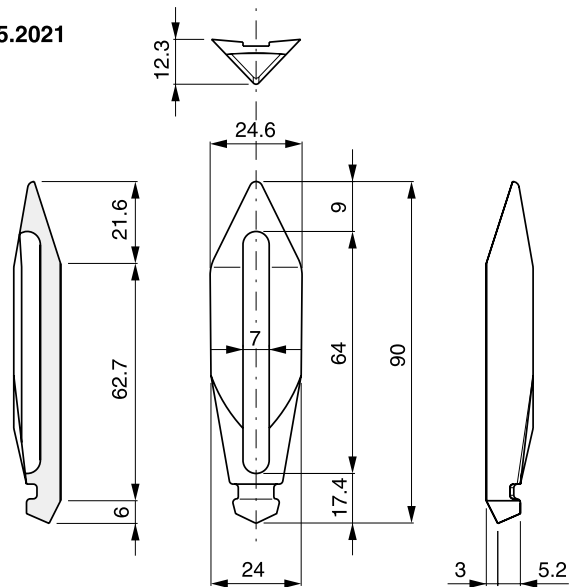
035.2018



035.2020



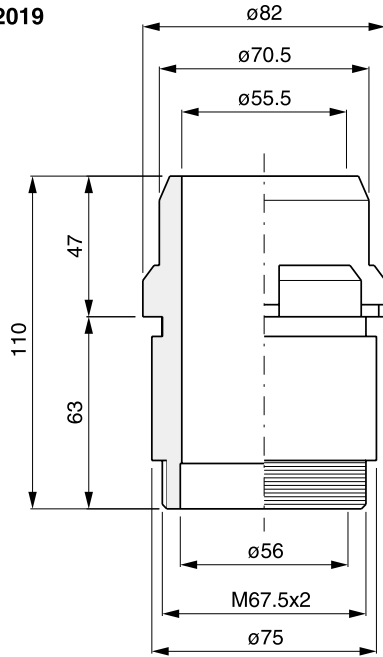
035.2021



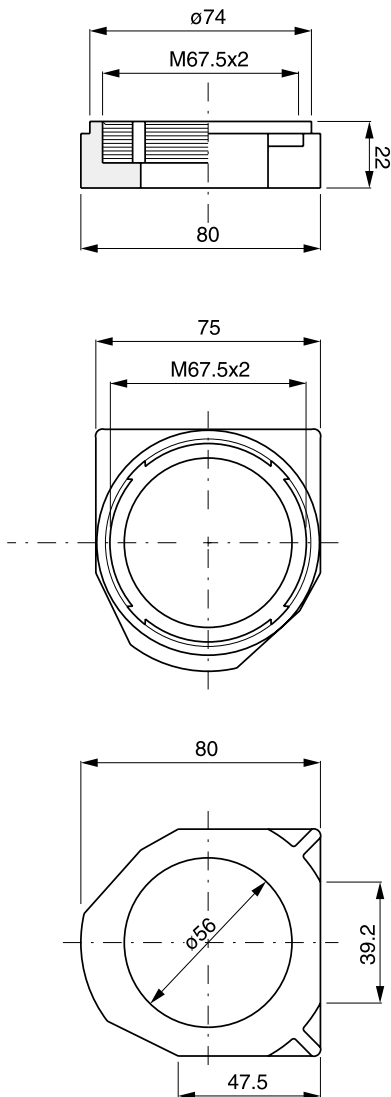
FILLING MACHINE COMPONENTS
KOMPONENTEN FÜR ABFÜLLMASCHINEN

COMPOSANTS POUR SOUTIREUSES
COMPONENTES PARA LLENADORAS

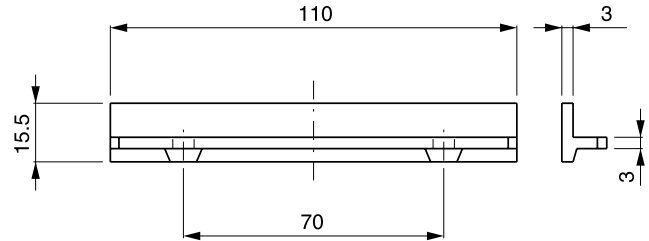
035.2019



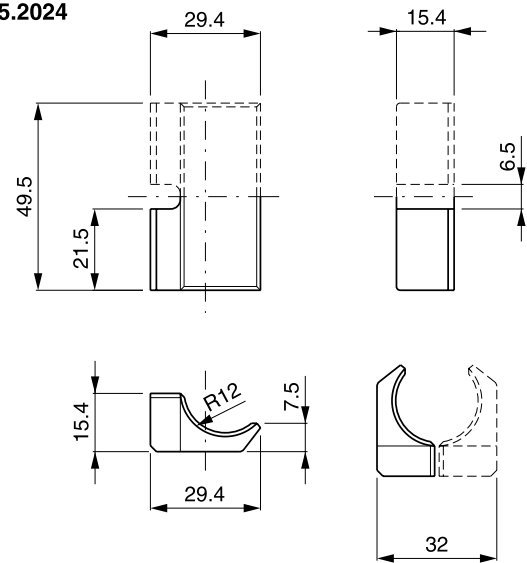
035.2023



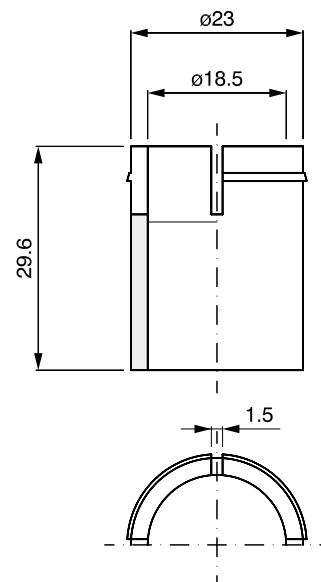
035.2022



035.2024



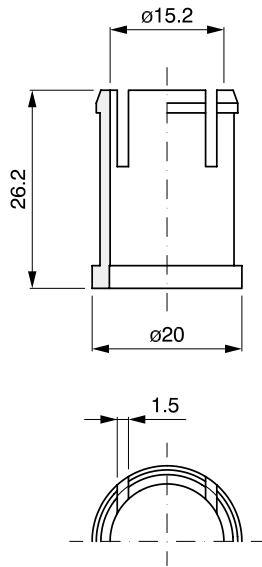
035.2025



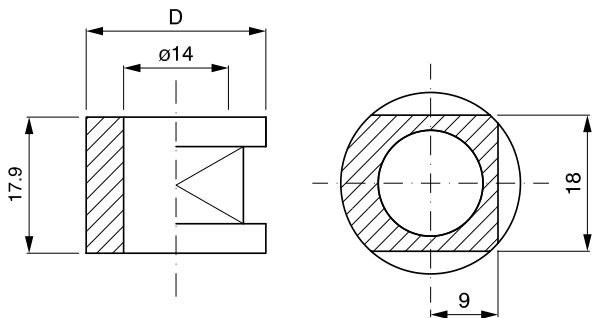
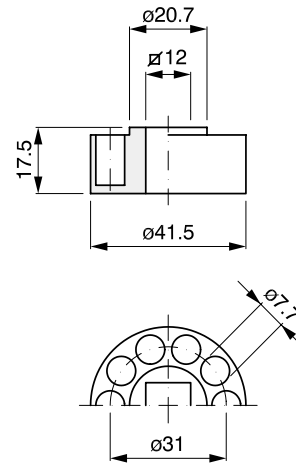
FILLING MACHINE COMPONENTS
KOMPONENTEN FÜR ABFÜLLMASCHINEN

COMPOSANTS POUR SOUTIREUSES
COMPONENTES PARA LLENADORAS

035.2027

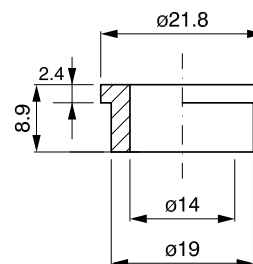


035.2028

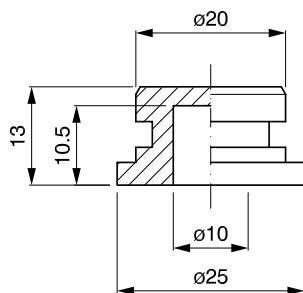


COD.	D
035.2029	22
035.2030	24

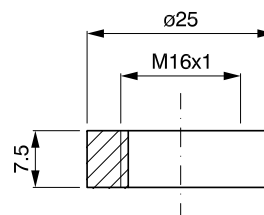
035.2031



035.2032



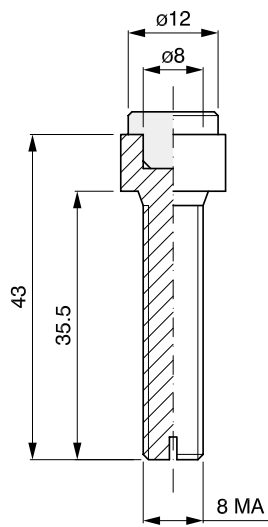
035.2033



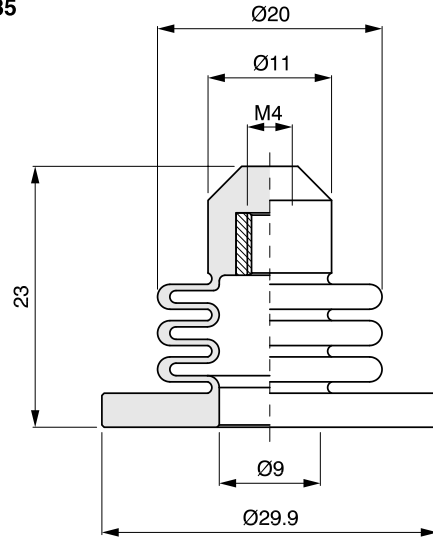
FILLING MACHINE COMPONENTS
KOMPONENTEN FÜR ABFÜLLMASCHINEN

COMPOSANTS POUR SOUTIREUSES
COMPONENTES PARA LLENADORAS

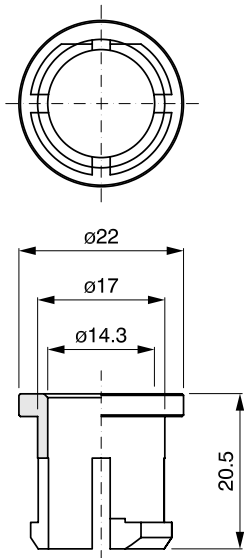
035.2034



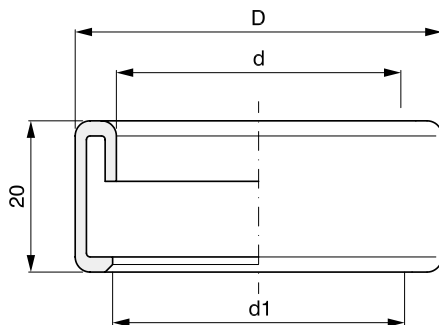
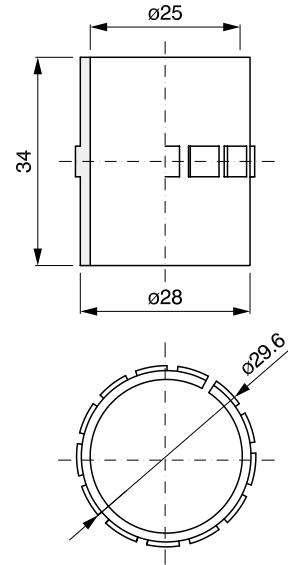
035.2035



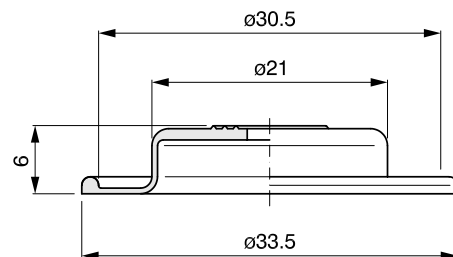
035.2036



035.2039



035.0329

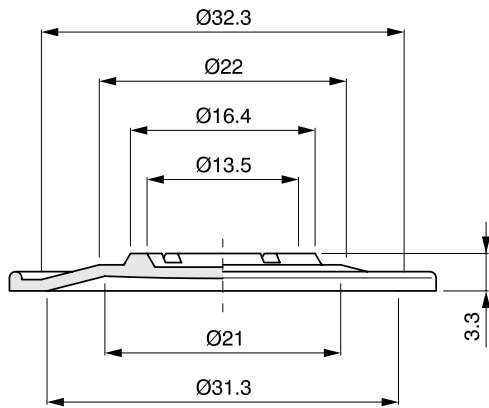


COD.	D	d	d1
035.0326	49	38	39
035.0325	58	47	48
035.0343	62	52	53

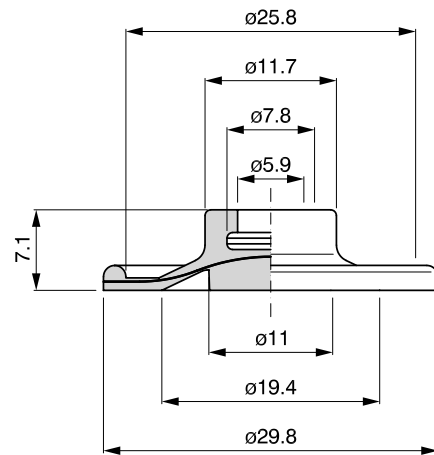
FILLING MACHINE COMPONENTS
KOMPONENTEN FÜR ABFÜLLMASCHINEN

COMPOSANTS POUR SOUTIREUSES
COMPONENTES PARA LLENADORAS

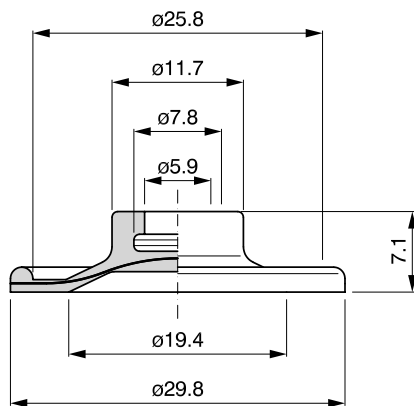
035.0331



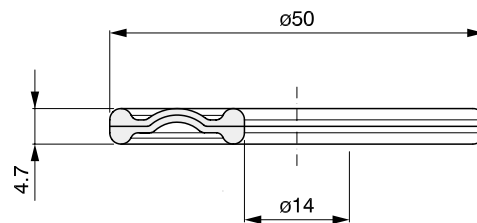
035.0332



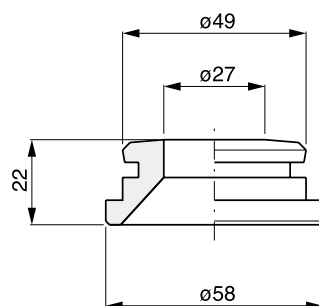
035.0333



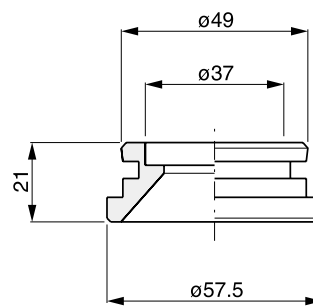
035.0339



036.0104



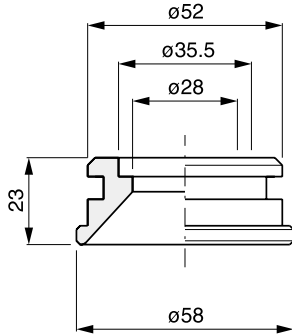
036.0105



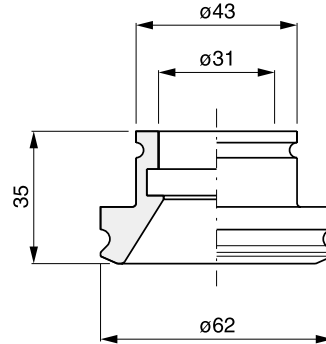
FILLING MACHINE COMPONENTS
KOMPONENTEN FÜR ABFÜLLMASCHINEN

COMPOSANTS POUR SOUTIREUSES
COMPONENTES PARA LLENADORAS

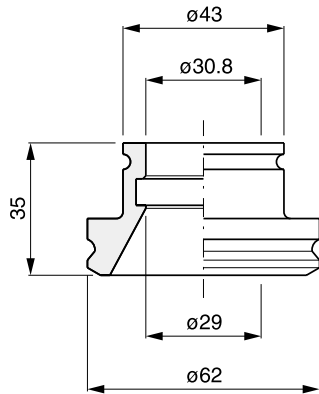
036.0106



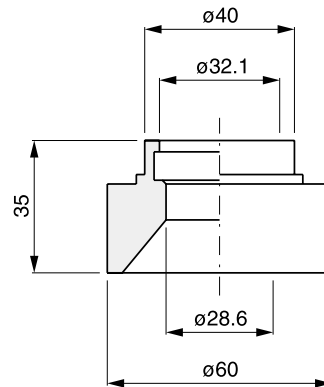
036.0107



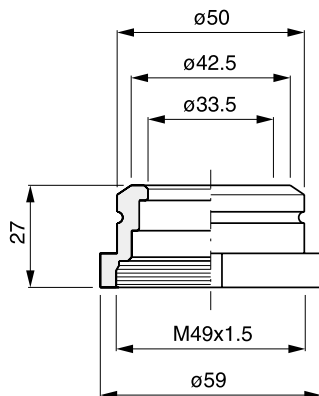
036.0108



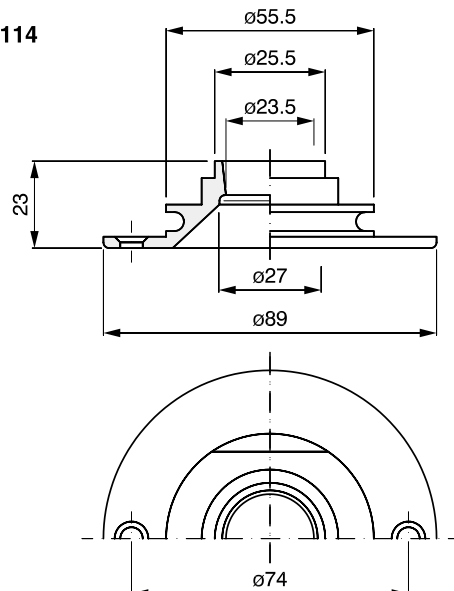
036.0109



036.0112

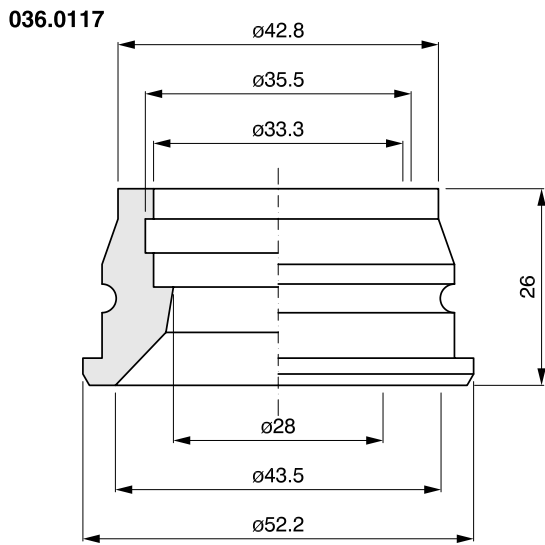


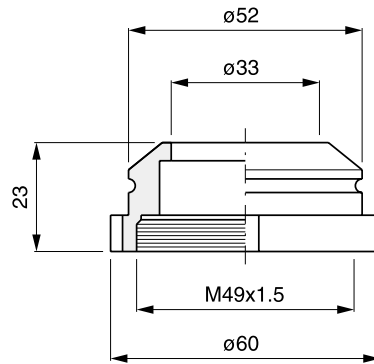
036.0114



FILLING MACHINE COMPONENTS
KOMPONENTEN FÜR ABFÜLLMASCHINEN

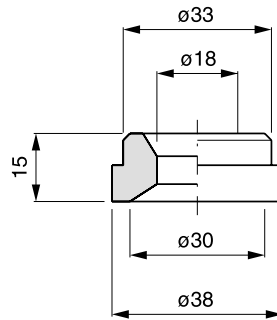
COMPOSANTS POUR SOUTIREUSES
COMPONENTES PARA LLENADORAS





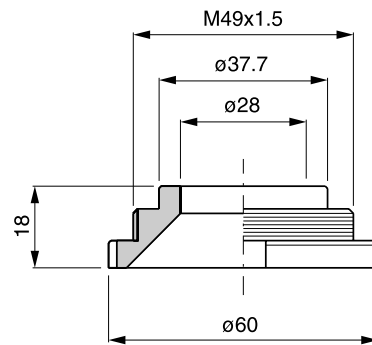
036.0002

+



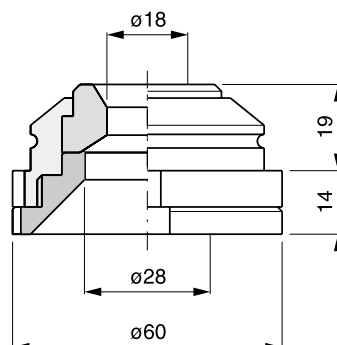
034.0404

+



036.0103

=

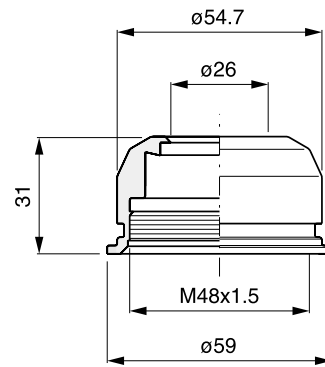
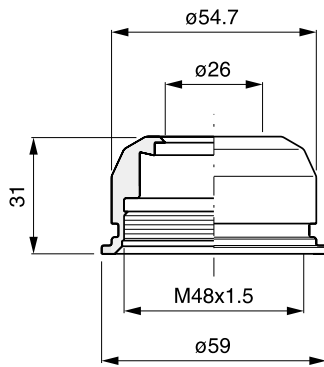


036.1000

FILLING MACHINE COMPONENTS
KOMPONENTEN FÜR ABFÜLLMASCHINEN

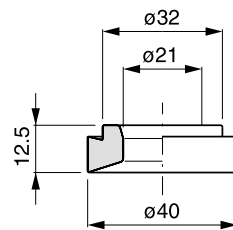
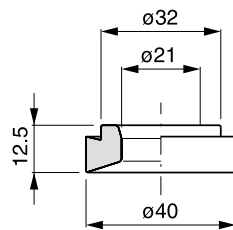
COMPOSANTS POUR SOUTIREUSES
COMPONENTES PARA LLENADORAS

036.0003



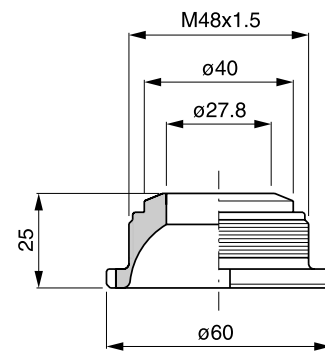
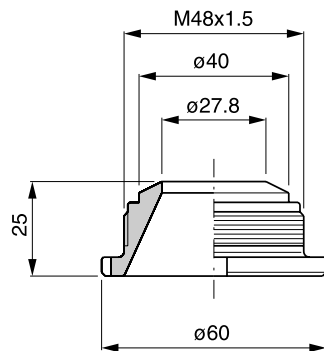
036.0003

034.0454



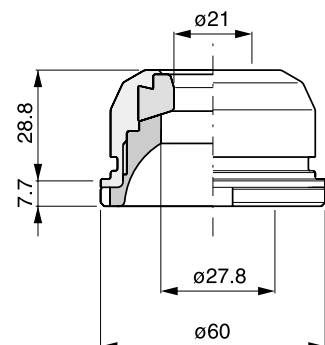
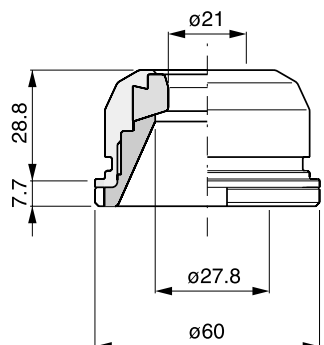
034.0454

036.0111



036.0113

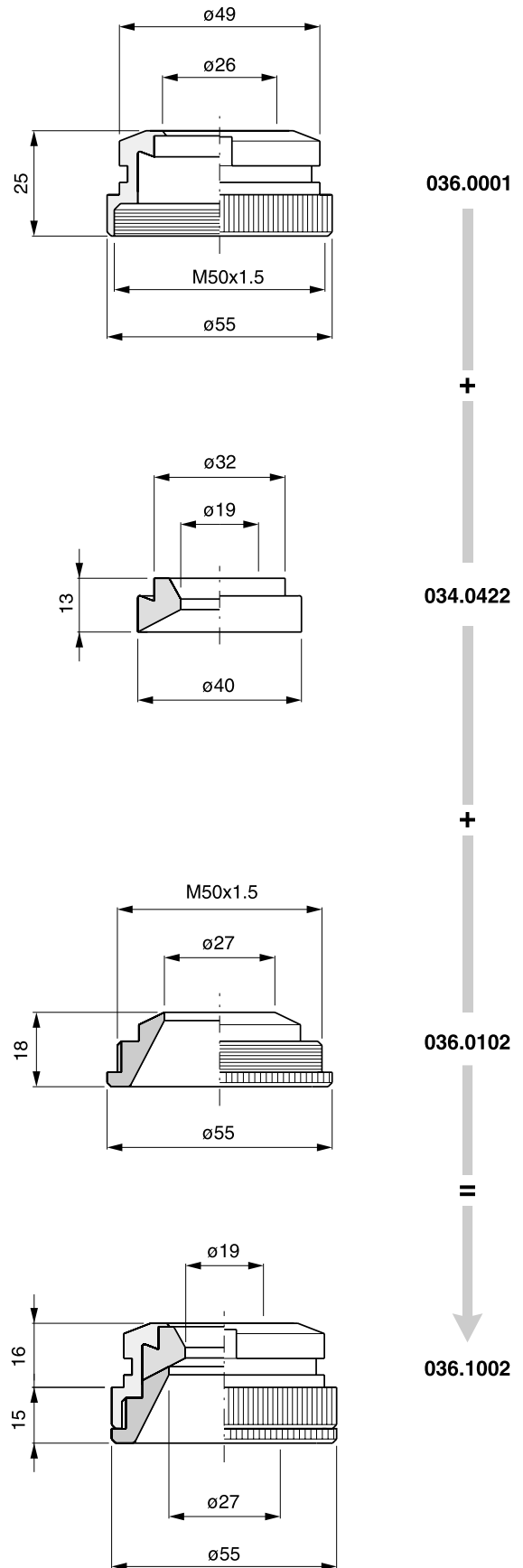
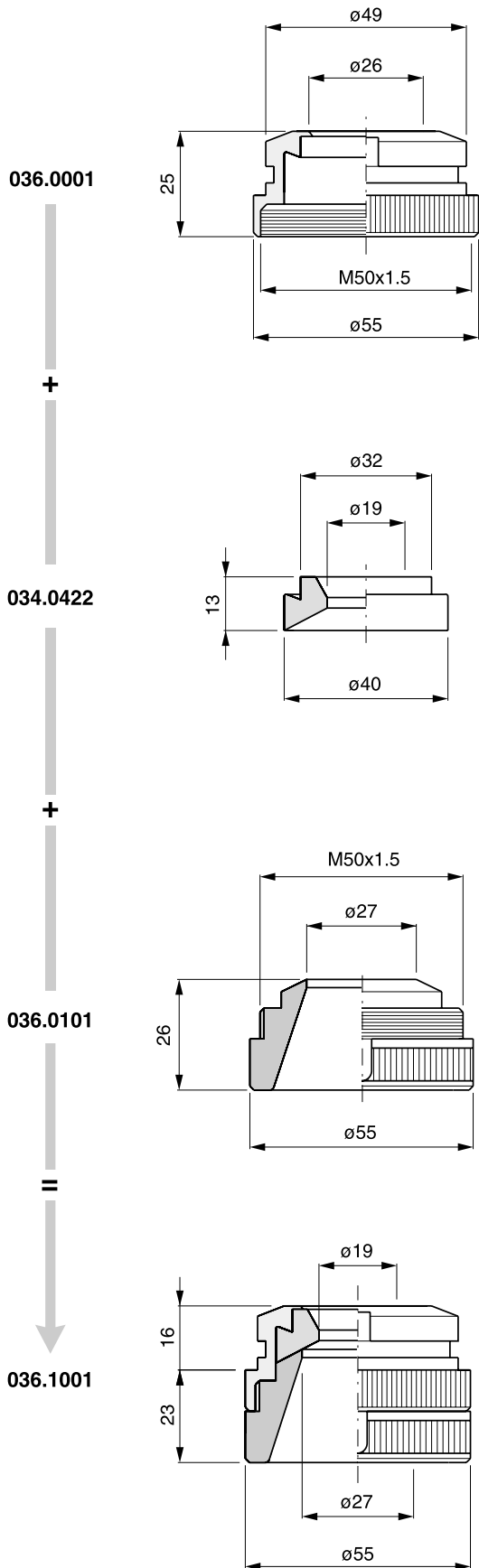
036.1003



036.1004

FILLING MACHINE COMPONENTS
KOMPONENTEN FÜR ABFÜLLMASCHINEN

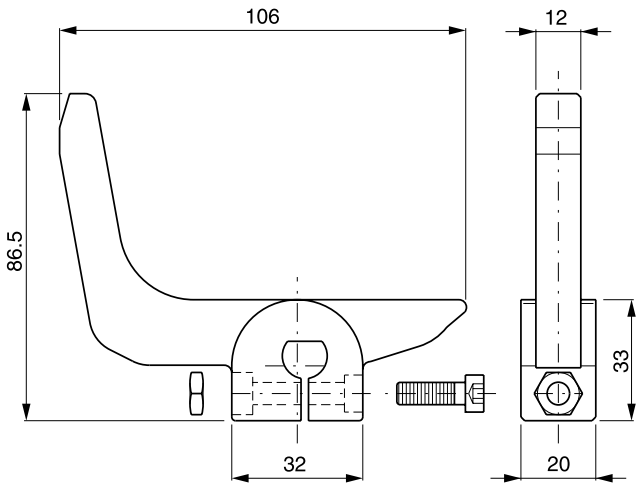
COMPOSANTS POUR SOUTIREUSES
COMPONENTES PARA LLENADORAS



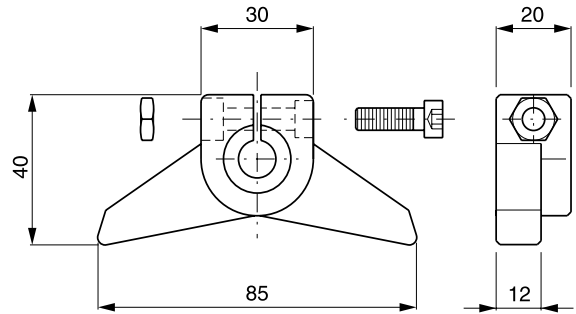
FILLING MACHINE COMPONENTS
KOMPONENTEN FÜR ABFÜLLMASCHINEN

COMPOSANTS POUR SOUTIREUSES
COMPONENTES PARA LLENADORAS

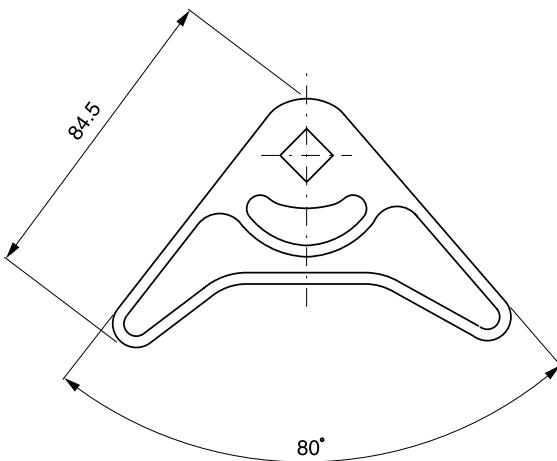
037.0001



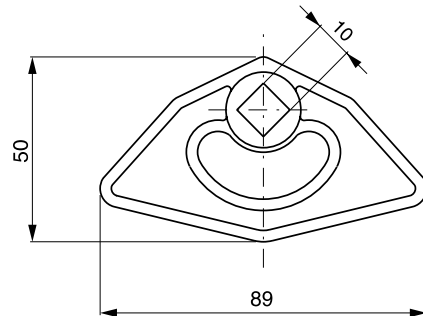
037.0002



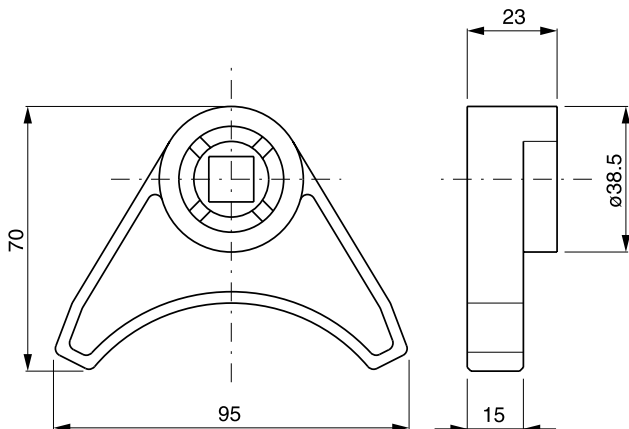
037.0003



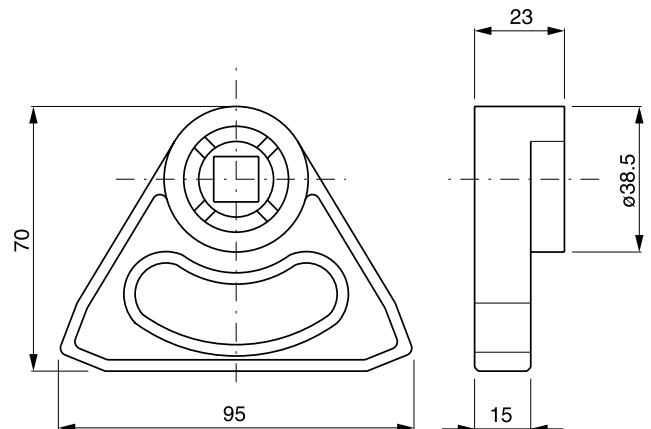
037.0004



037.0005



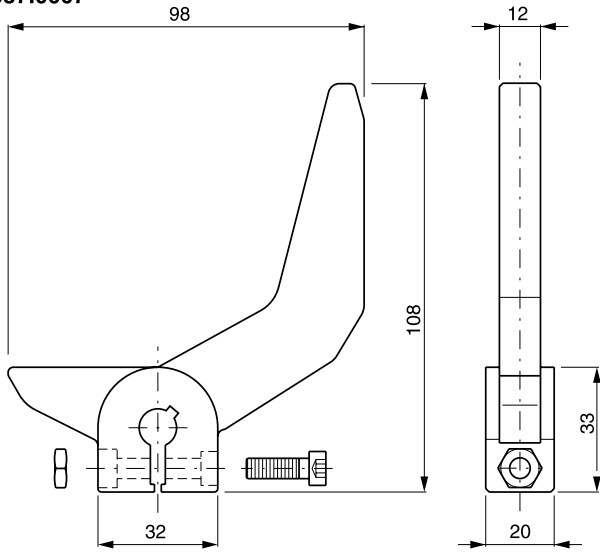
037.0006



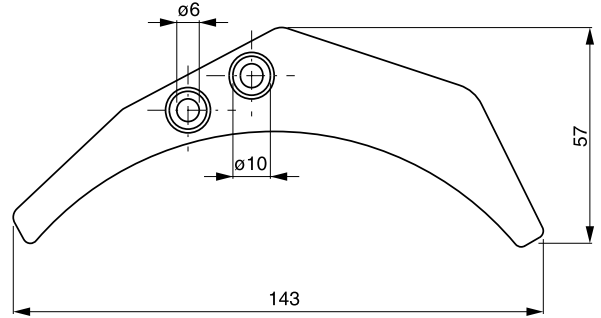
FILLING MACHINE COMPONENTS
KOMPONENTEN FÜR ABFÜLLMASCHINEN

COMPOSANTS POUR SOUTIREUSES
COMPONENTES PARA LLENADORAS

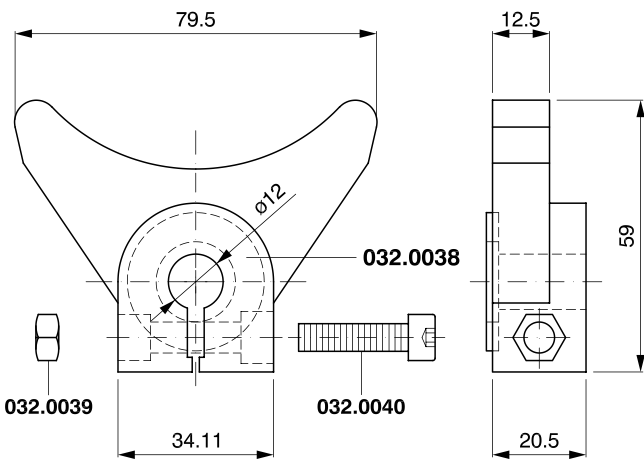
037.0007



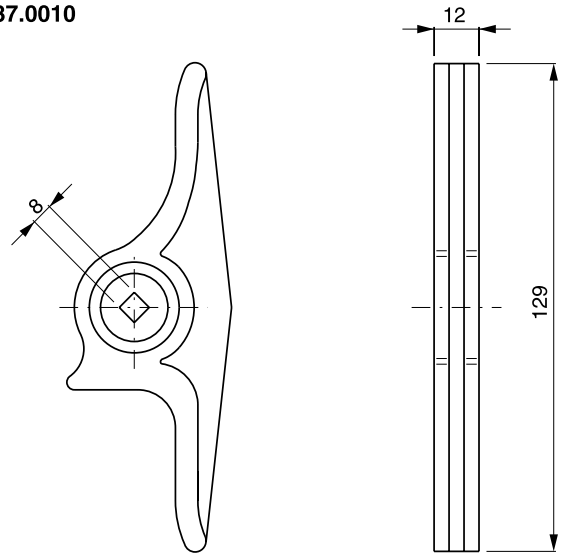
037.0008



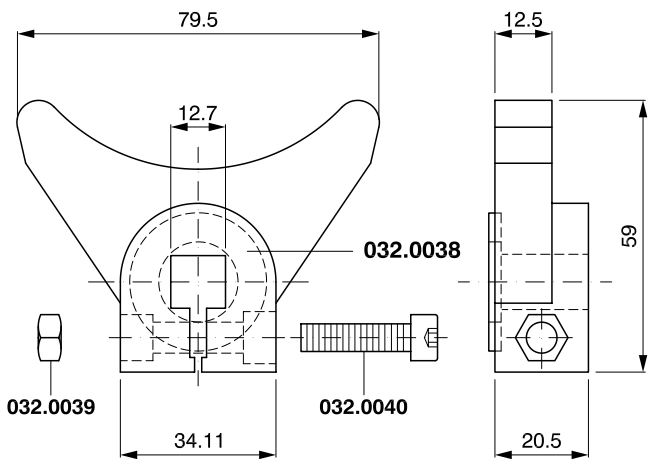
037.0009



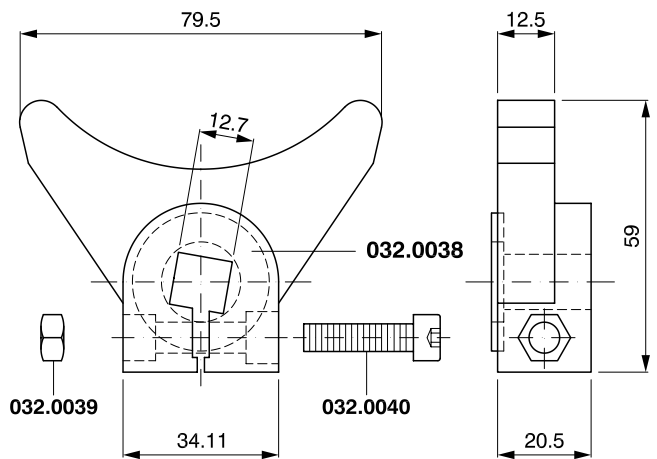
037.0010



037.0011



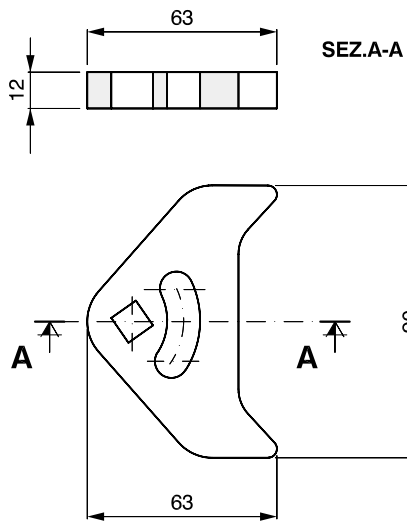
037.0012



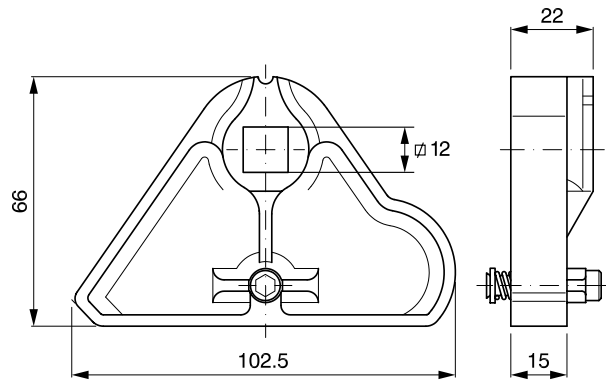
FILLING MACHINE COMPONENTS
KOMPONENTEN FÜR ABFÜLLMASCHINEN

COMPOSANTS POUR SOUTIREUSES
COMPONENTES PARA LLENADORAS

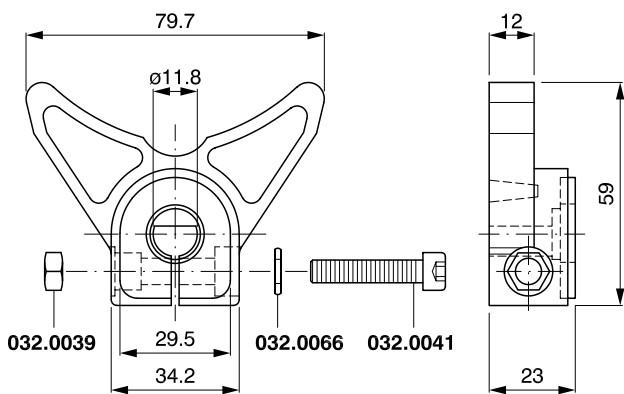
037.0013



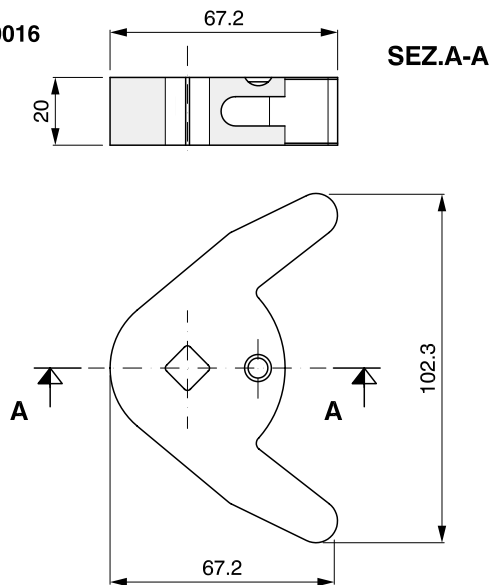
037.0014



037.0015



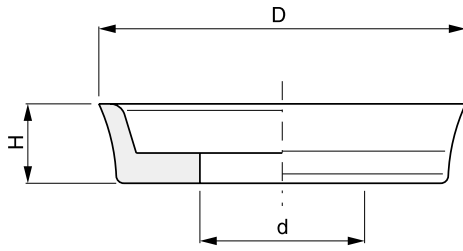
037.0016





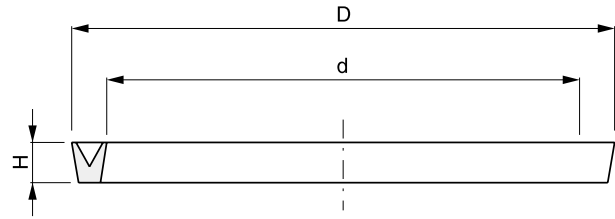
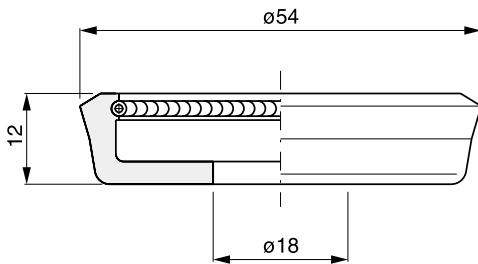
FILLING MACHINE COMPONENTS
KOMPONENTEN FÜR ABFÜLLMASCHINEN

COMPOSANTS POUR SOUTIREUSES
COMPONENTES PARA LLENADORAS



COD.	D	d	H
041.0003	46	22	9
041.0001	49	22	10.5
041.0002	52	22	10
041.0006	53	26	14

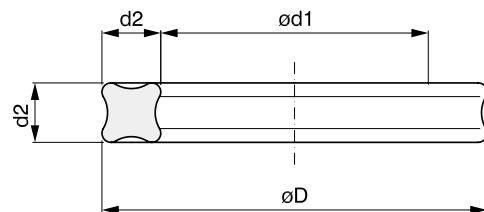
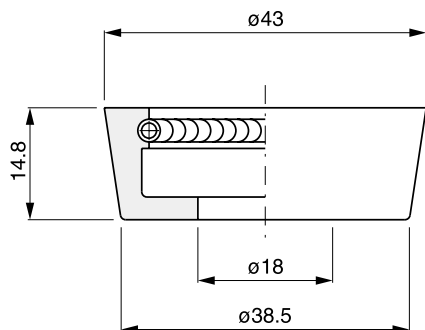
041.0004



COD.	D	d	H
041.0225	10.5	5.2	3
041.0244	20	8.5	8
041.0236	30	22	5.5
041.0205	31	21	3.5
041.0241	32.5	24.5	3
041.0275	34	16	5.4
041.0253	35	26.5	3.2
041.0265	36	23.5	3.8
041.0233	39.5	29.5	6
041.0206	42	34	8
041.0273	43	38	4.5
041.0274	45.5	36	4
041.0209	50	42	5.5
041.0204	53	43	5.5
041.0207	54	44	6
041.0208	54	46	6
041.0231	56	48	3.5
041.0203	57	47	3.5
041.0210	62	50	5.5
041.0283	62	52.9	5.45
041.0226	64	52	6.5
041.0212	70	60	4.5

COD.	D	d	H
041.0514	72	56	12
041.0519	73	58	12
041.0264	78.7	67.2	4.6
041.0213	80	70	4.5
041.0512	81	66	12
041.0224	81.8	68.3	8
041.0211	83	75	5.5
041.0214	90	80	4.5
041.0284	91.3	71.1	7.5
041.0215	100	90	4.5
041.0221	105	85	10
041.0521	105	85	16
041.0216	110	100	4.5
041.0217	122	110	8
041.0518	137	113	15
041.0516	141.3	109.9	13.3
041.0222	152	140	6
041.0517	172	148	15
041.0513	181.3	157.9	13.3
041.0520	182	158	15
041.0223	188	165	12

041.0005

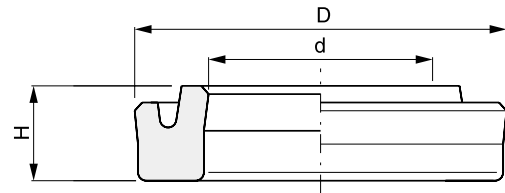
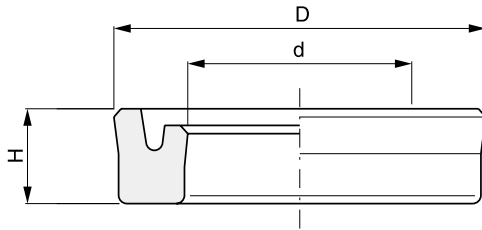


COD.	ØD	Ød1	d2
057.0700	16.94	11.70	2.62
057.0701	20.78	15.54	2.62
057.0706	16.01	10.77	2.62
057.0707	17.61	12.37	2.62
057.0713	35.60	31.10	2.70
057.0702	32.05	24.99	3.53
057.0705	28.81	21.75	3.53
057.0703	36.81	29.74	3.53

COD.	ØD	Ød1	d2
057.0711	57.45	50.39	3.53
057.0712	70.15	63.09	3.53
057.0714	98.20	91.00	3.60
057.0704	81.32	70.64	5.34
057.0708	83.07	72.39	5.34
057.0709	105.30	94.62	5.34
057.0710	129.82	115.84	6.99

**FILLING MACHINE COMPONENTS
KOMPONENTEN FÜR ABFÜLLMASCHINEN**

**COMPOSANTS POUR SOUTIREUSES
COMPONENTES PARA LLENADORAS**

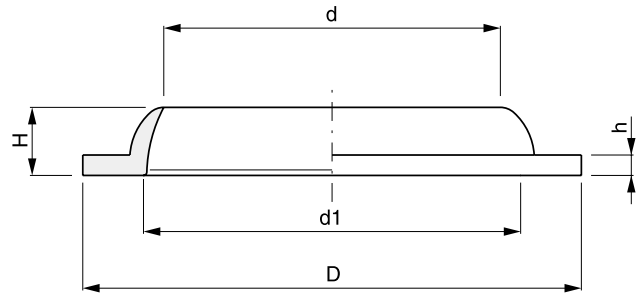


COD.	D	d	H
041.1017	12	8.5	4.7
041.0100	12.70	6.35	3.96
041.0101	14.28	7.93	3.96
041.0200	14.80	8.3	5.90
041.0239	15	10	4
041.0102	17.50	9.52	3.96
041.0113	20.63	14.28	4.76
041.0103	21	12.70	5.10
041.0276	21.6	14	5
041.0201	22	14	5.5
041.0104	22.22	15.87	4.76
041.0112	25.40	19.08	4.76
041.0218	26	20	5
041.0105	28.58	20.63	4.76
041.1022	31	26	5
041.0500	35.8	20	5.2
041.0106	40.63	33.34	4.60
041.0510	42	31.8	5.4
041.0515	47.6	34	7

COD.	D	d	H
041.0219	48	40	11
041.0202	57	50	10
041.0111	69.85	57.15	7.93
041.0504	72	57	8.5
041.0107	76.20	60.33	7.93
041.0108	76.20	63.50	7.93
041.0508	78	67	8
041.0506	81	67	6
041.0237	85	65	10
041.0109	88.90	76.20	9.52
041.0511	93	83	8
041.0110	98.43	85.73	9.52
041.0270	112	102	8
041.0117	127.00	107.95	9.52
041.0232	150	125	14
041.0234	150	70	8.5
041.0235	150	100	10
041.0128	190.50	177.80	7.14

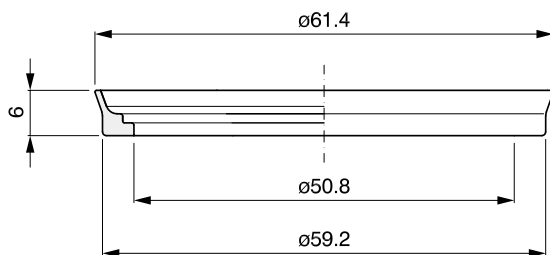
COD.	D	d	H
041.0240	8	4	3
041.1023	18.6	12.1	4.65
041.0252	28	20	4
041.0522	29.7	18.7	4.3
041.1018	48	32.5	12
041.0238	49	38	7
041.0526	50	41.3	3.3
041.0259	53.9	41.2	9.5

COD.	D	d	H
041.0503	66	58	5.7
041.0523	67	52	5
041.0507	69	58	8
041.0502	73	58	8
041.0509	76	58	5.9
041.0524	85.73	73.03	9.5
041.0505	87	74	6
041.0525	130	114	9.7

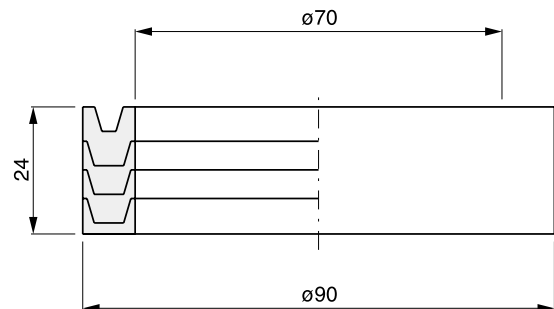


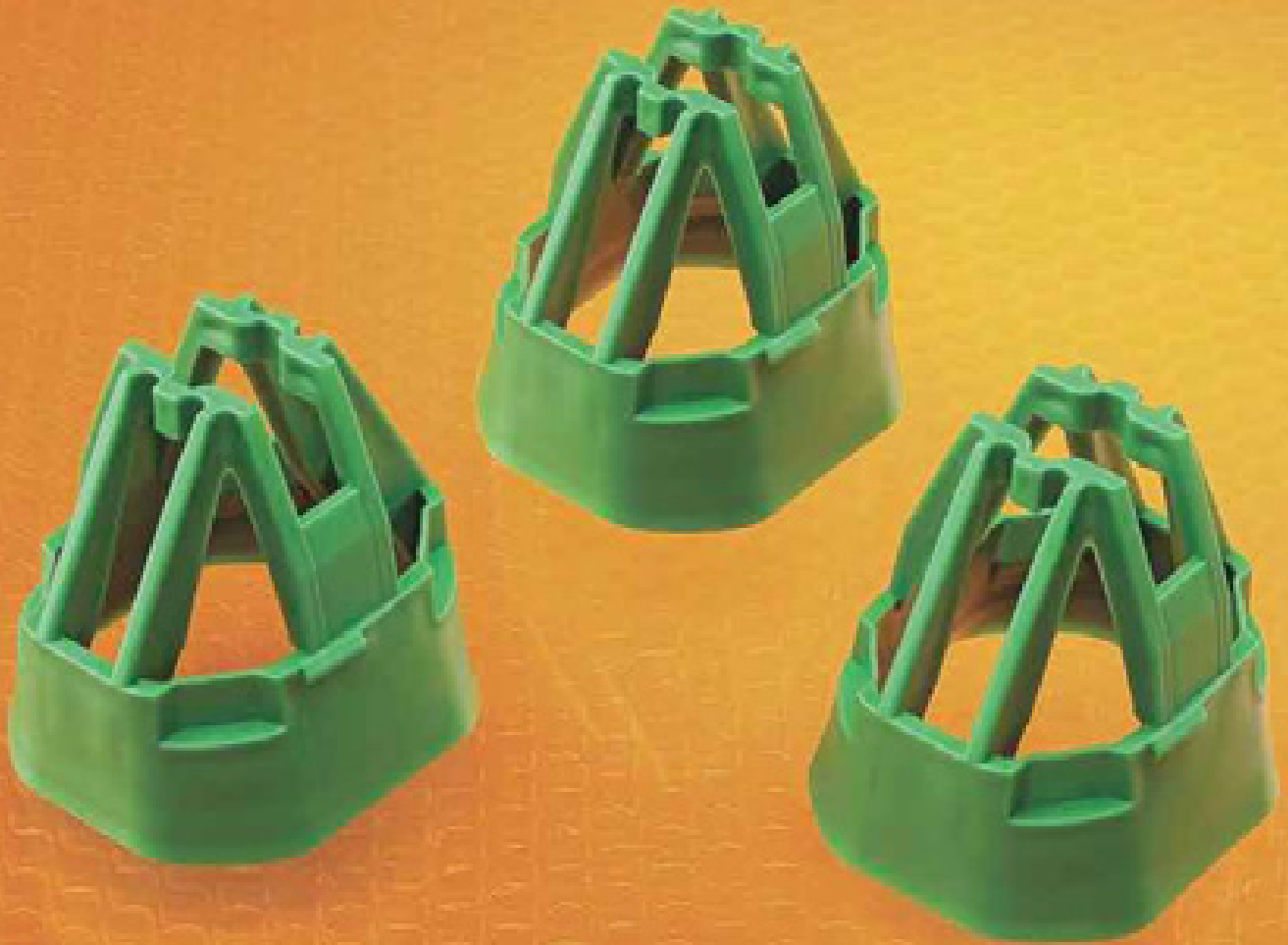
COD.	D	d	d1	H	h
041.0009	74	52	55	8.8	3
041.0010	82.55	63.5	66.5	9.52	2.80

041.0016



041.1019

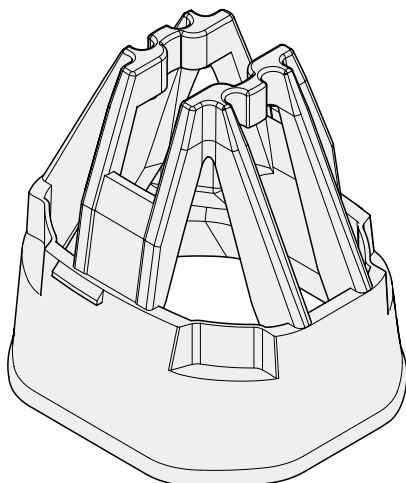
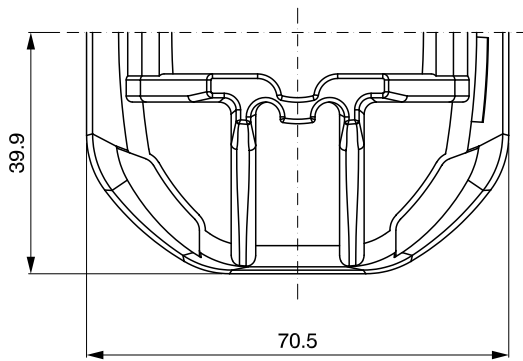
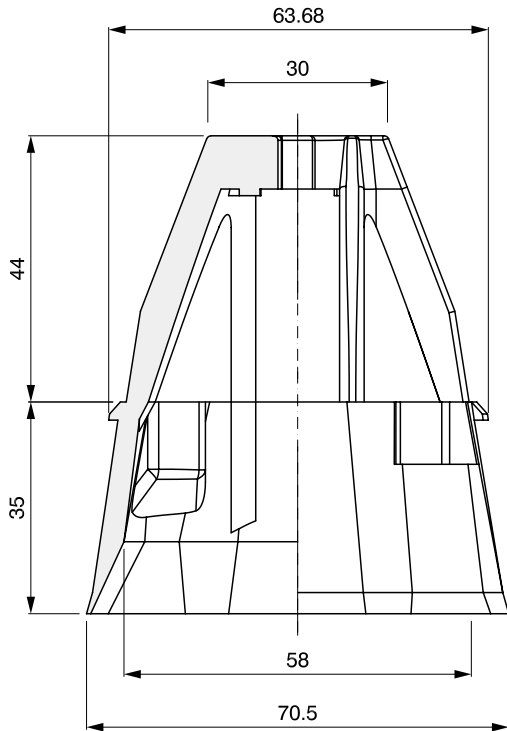




WASHING MACHINES COMPONENTS
KOMPONENTEN FÜR WASCHMASCHINEN

COMPOSANTS POUR MACHINES À LAVER
COMPONENTES PARA LAVADORAS

200.0185

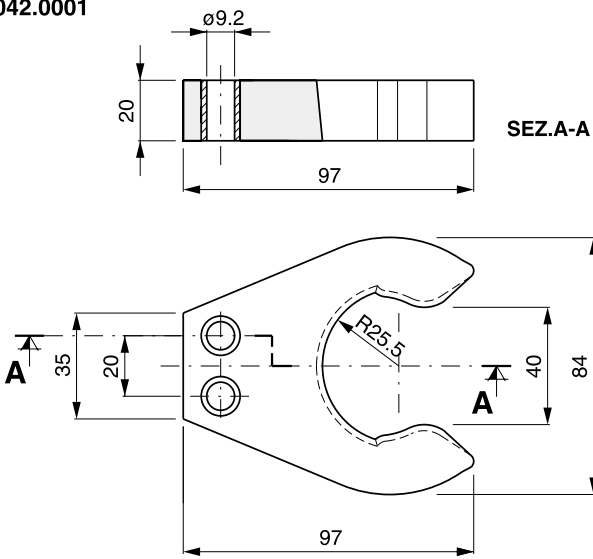




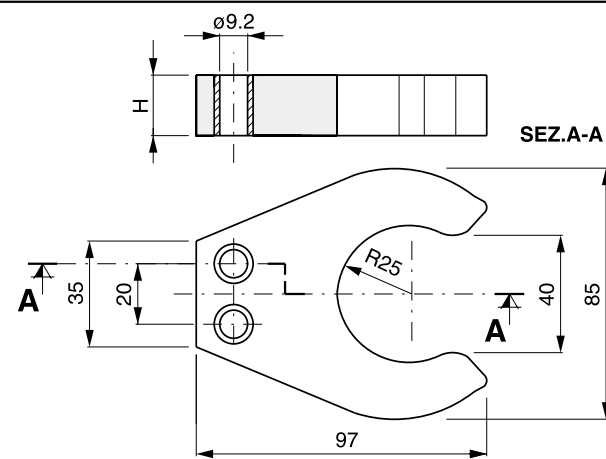
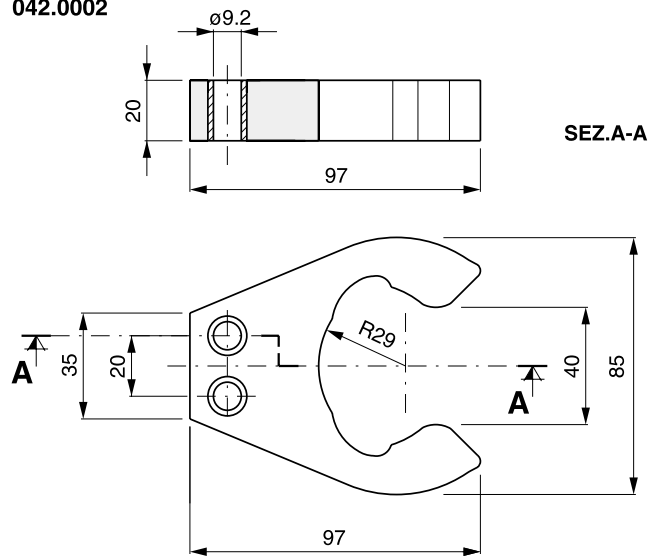
FILLING MACHINE GRIPPERS
GREIFER FÜR ABFÜLLMASCHINEN

PINCES POUR SOUTIREUSES
PINZAS PARA LLENADORAS

042.0001

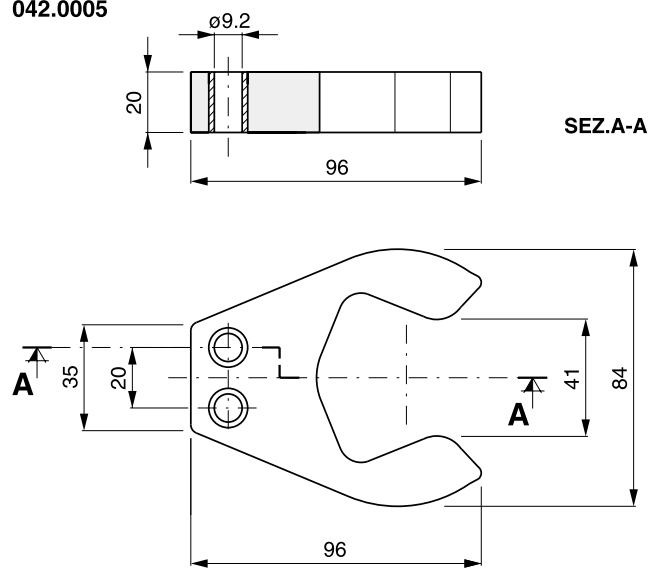


042.0002

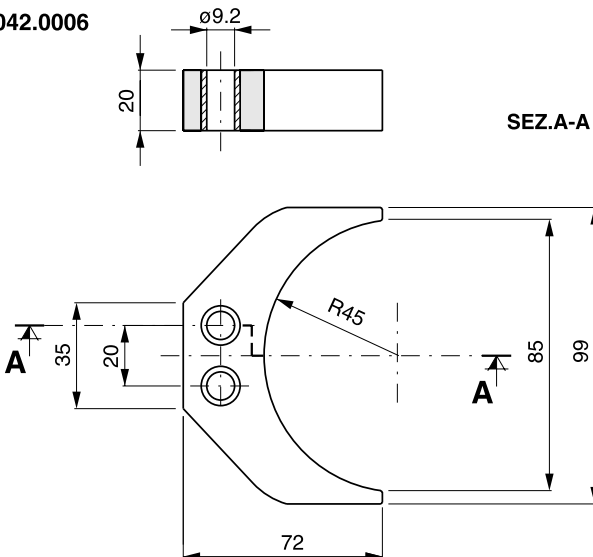


COD.	H
042.0004	15
042.0003	20

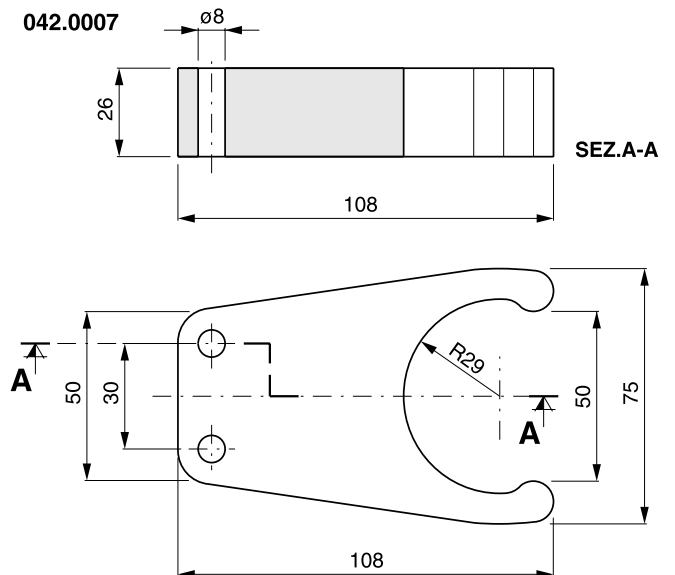
042.0005



042.0006

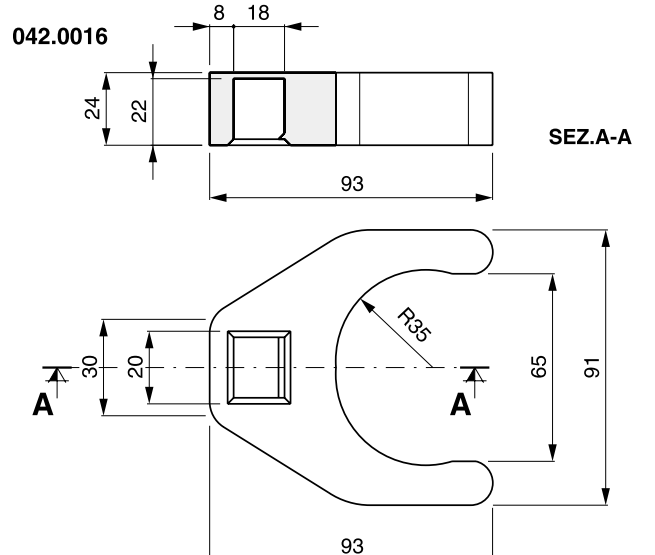
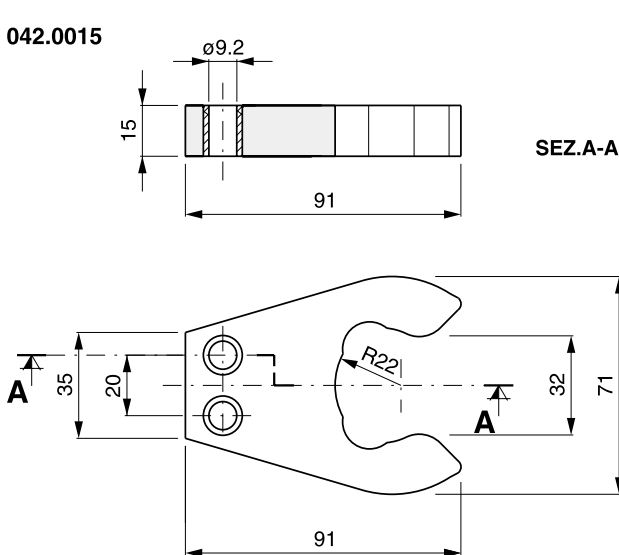
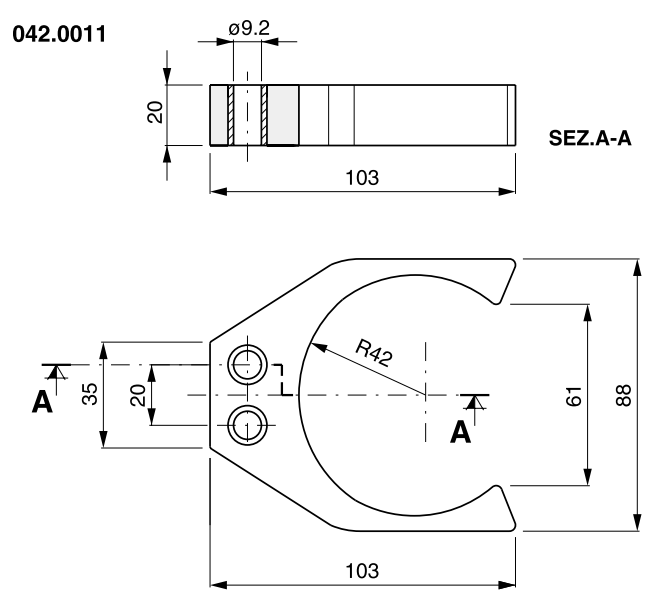
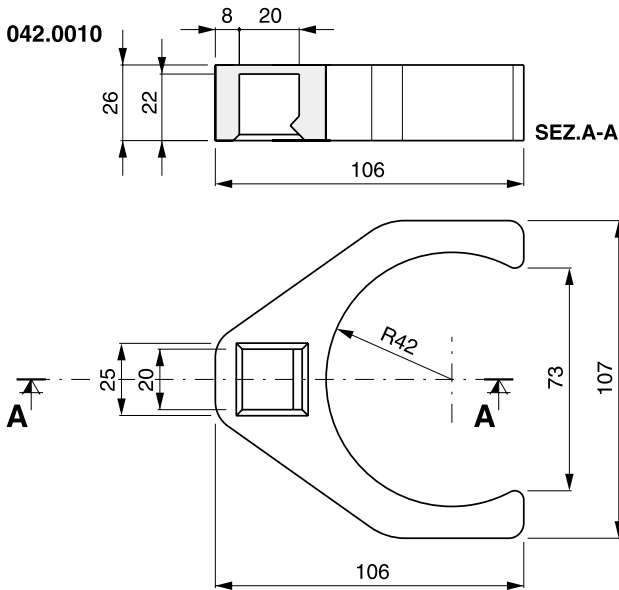
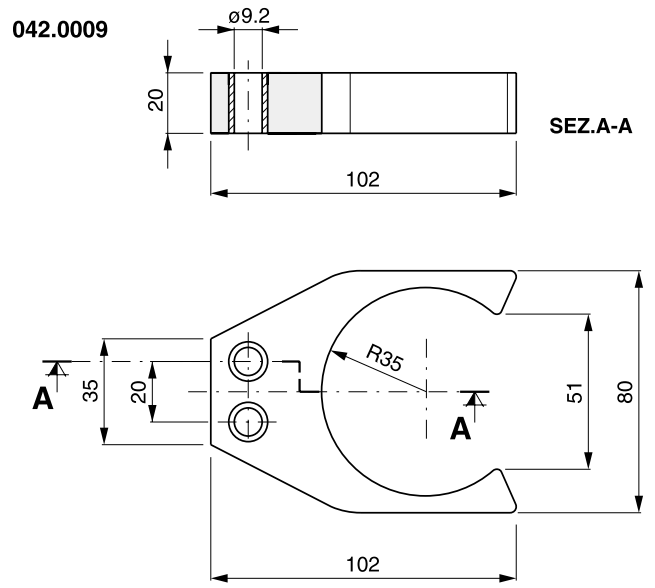
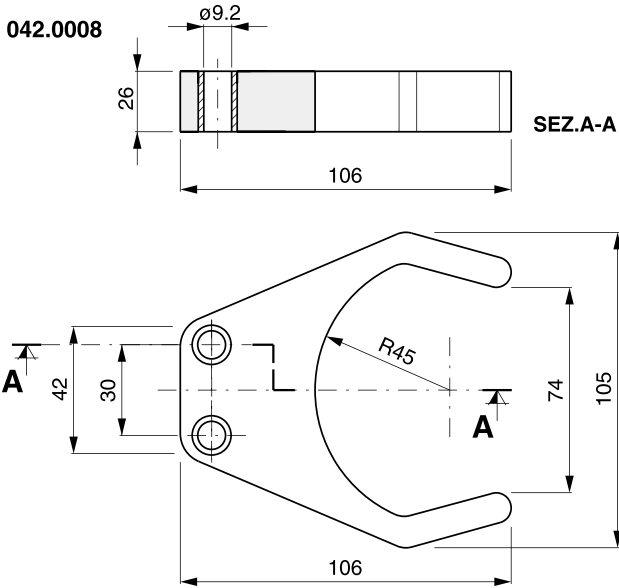


042.0007



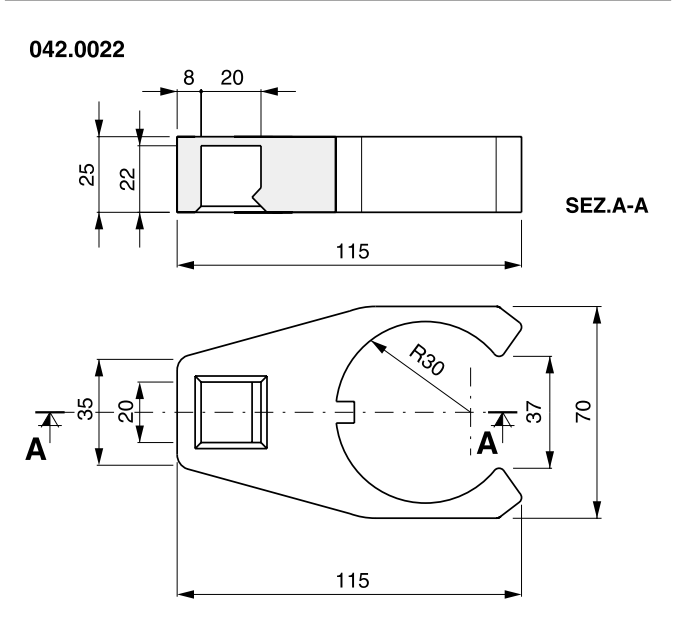
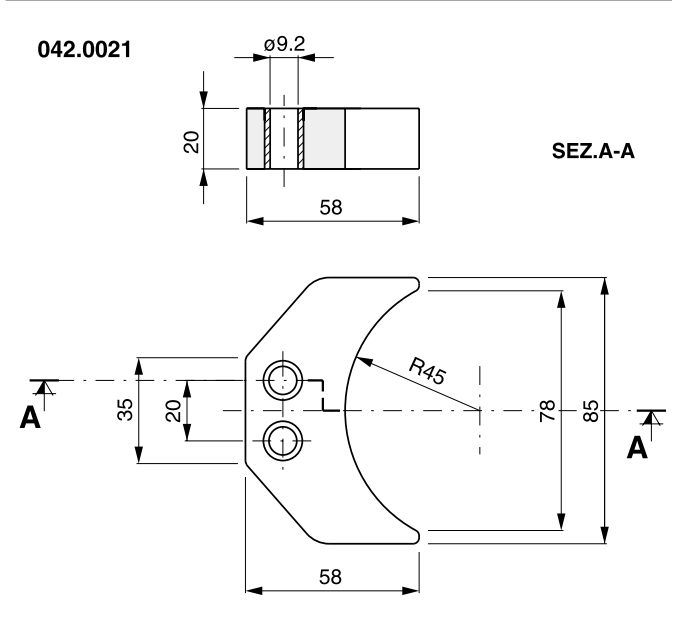
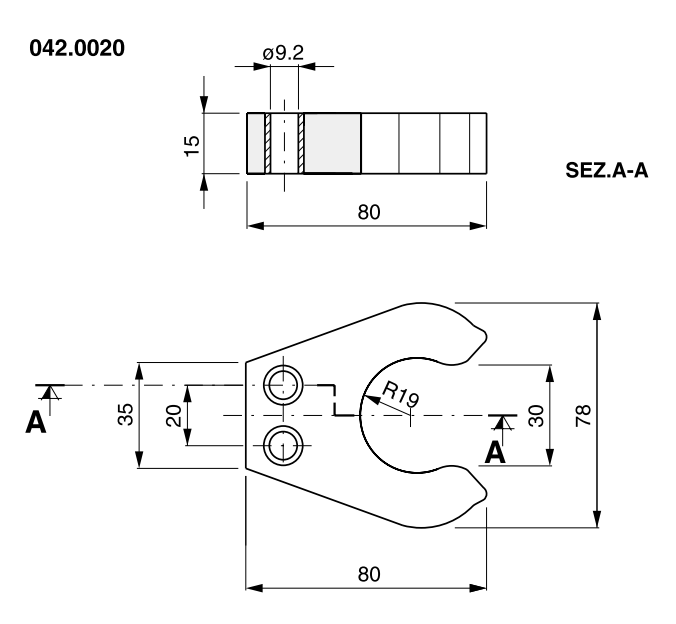
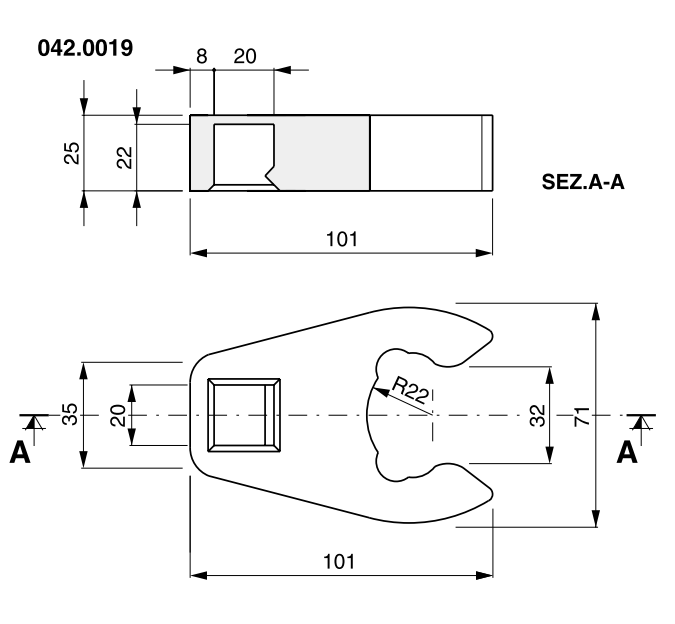
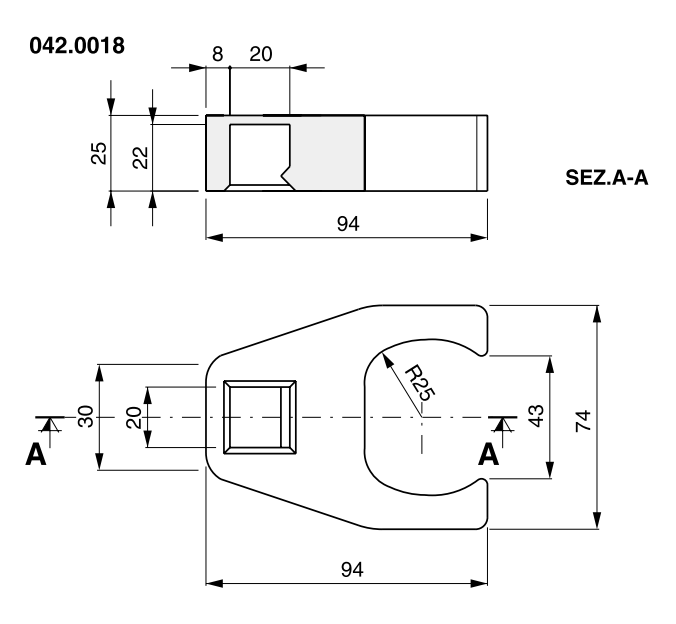
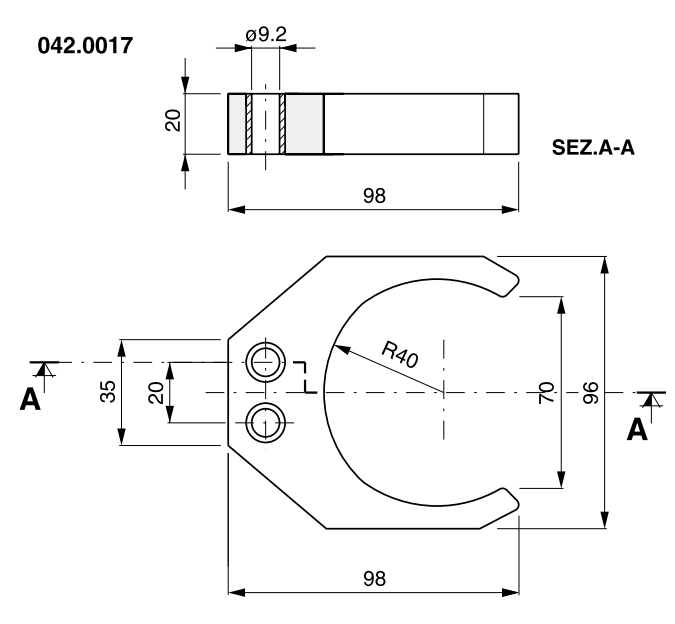
FILLING MACHINE GRIPPERS
GREIFER FÜR ABFÜLLMASCHINEN

PINCES POUR SOUTIREUSES
PINZAS PARA LLENADORAS



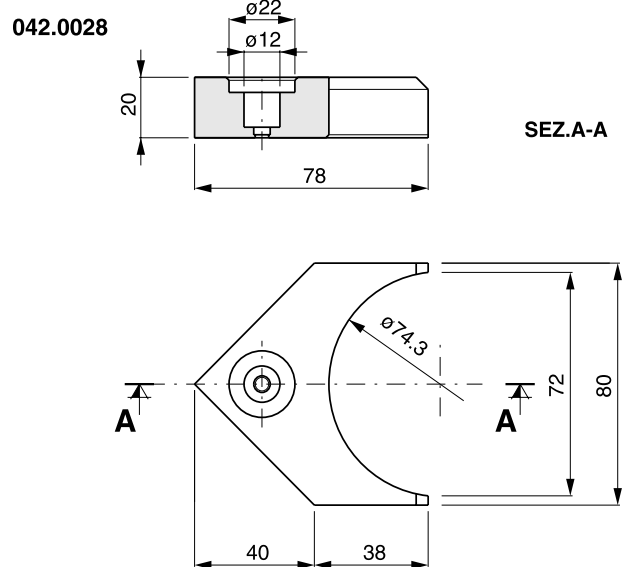
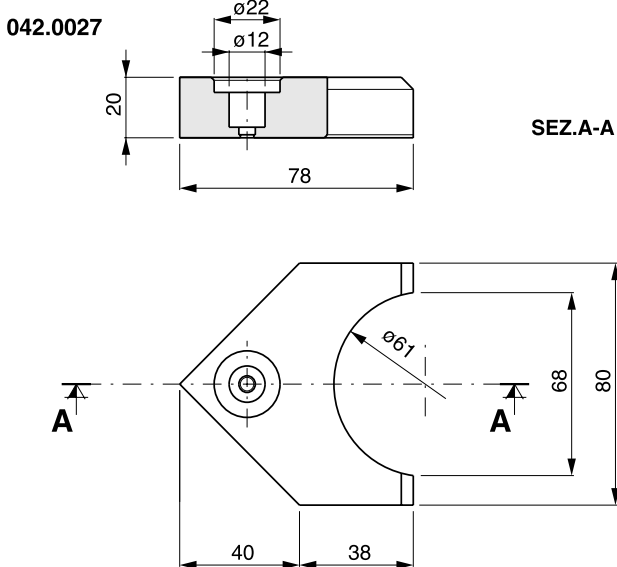
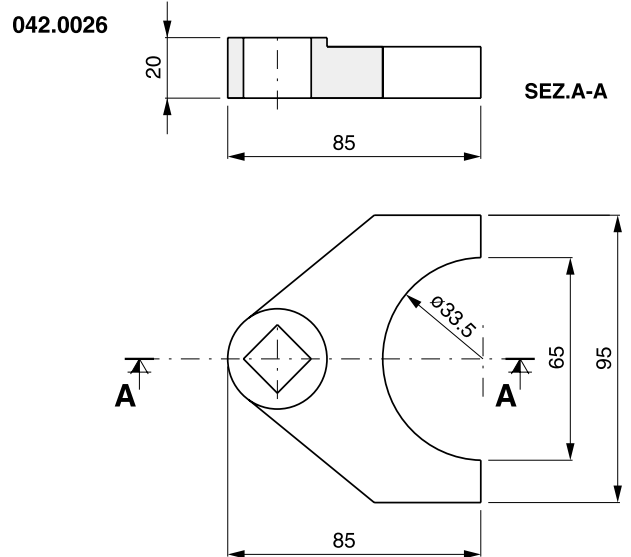
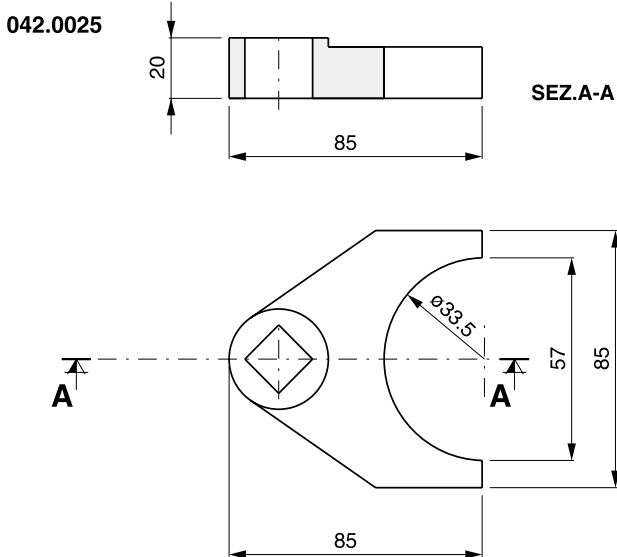
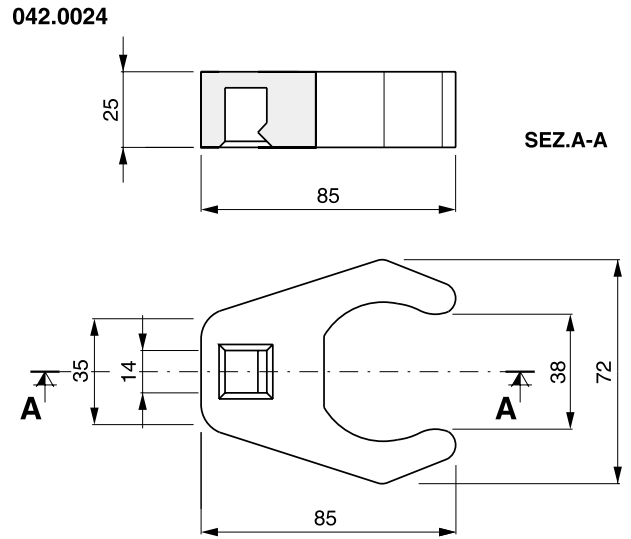
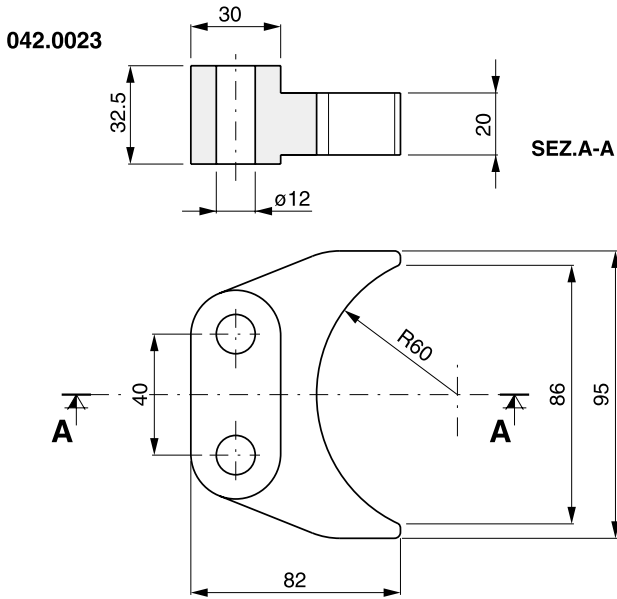
FILLING MACHINE GRIPPERS
GREIFER FÜR ABFÜLLMASCHINEN

PINCES POUR SOUTIREUSES
PINZAS PARA LLENADORAS



FILLING MACHINE GRIPPERS
GREIFER FÜR ABFÜLLMASCHINEN

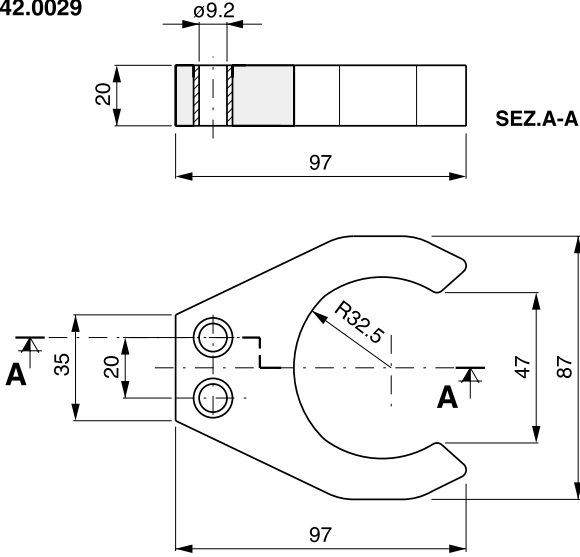
PINCES POUR SOUTIREUSES
PINZAS PARA LLENADORAS



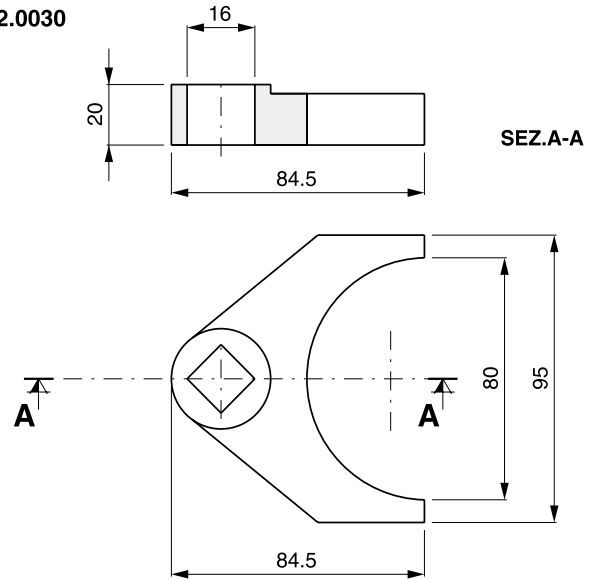
FILLING MACHINE GRIPPERS
GREIFER FÜR ABFÜLLMASCHINEN

PINCES POUR SOUTIREUSES
PINZAS PARA LLENADORAS

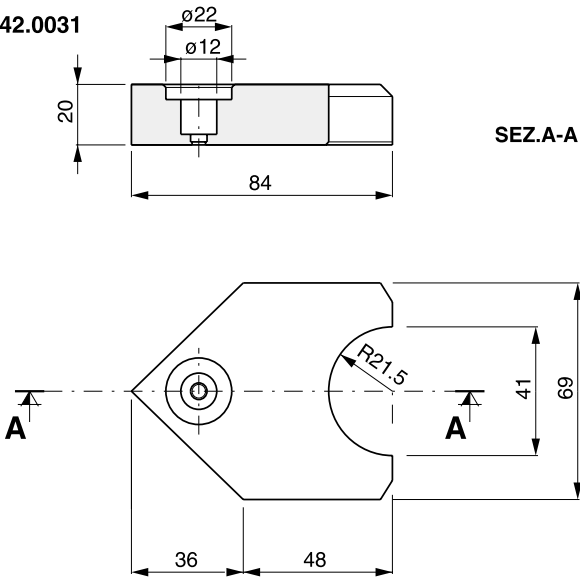
042.0029



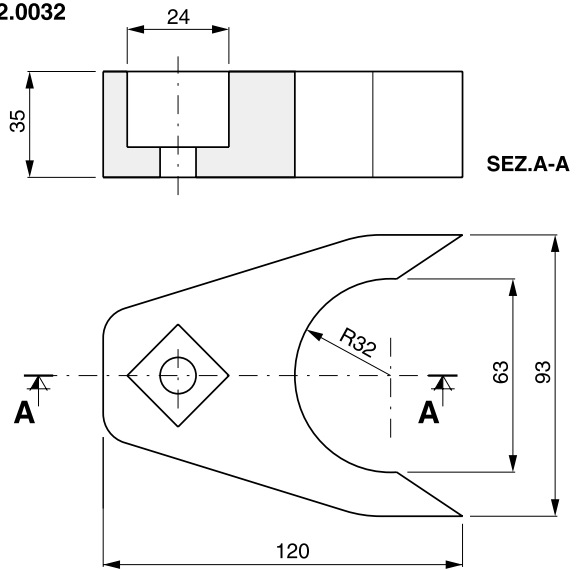
042.0030



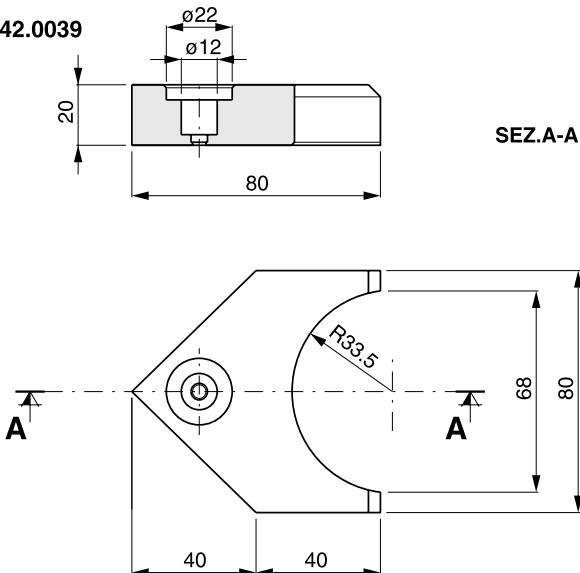
042.0031



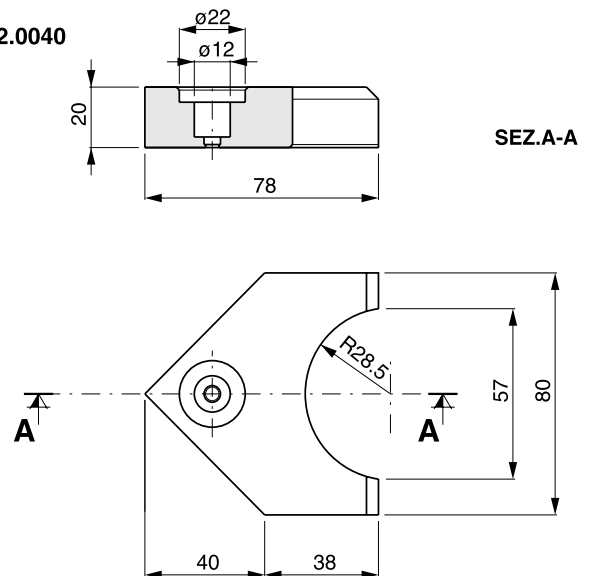
042.0032



042.0039



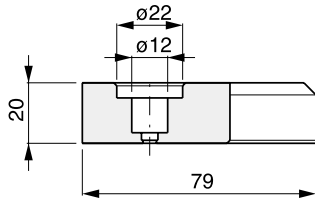
042.0040



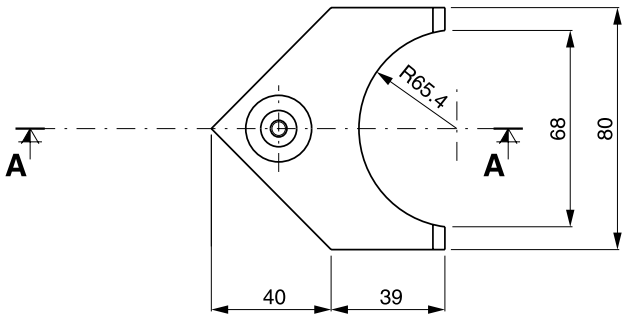
FILLING MACHINE GRIPPERS
GREIFER FÜR ABFÜLLMASCHINEN

PINCES POUR SOUTIREUSES
PINZAS PARA LLENADORAS

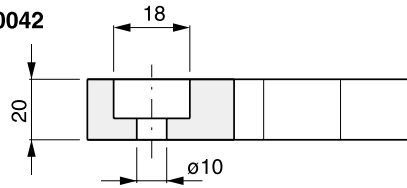
042.0041



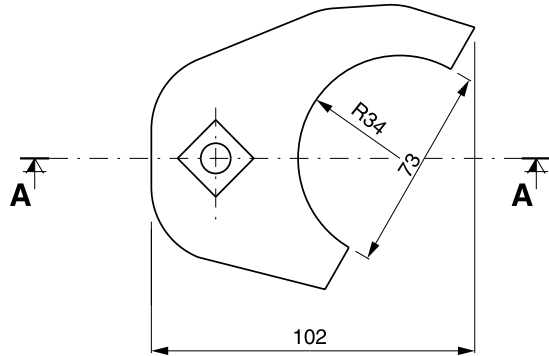
SEZ.A-A



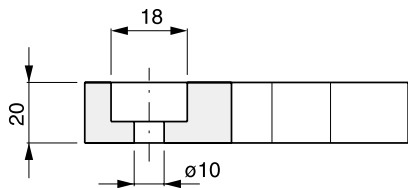
042.0042



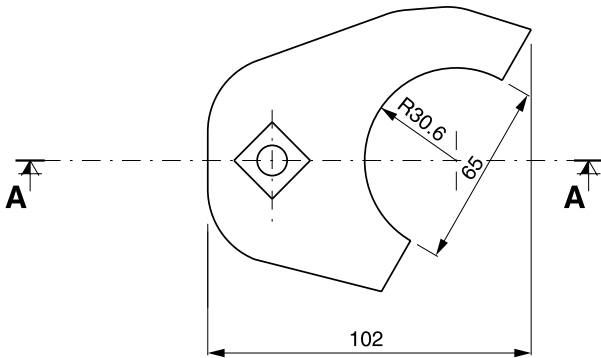
SEZ.A-A



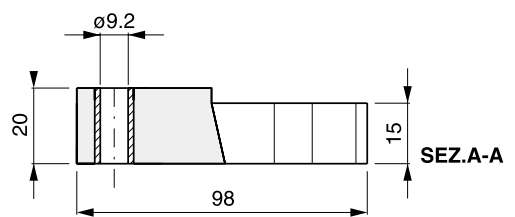
042.0043



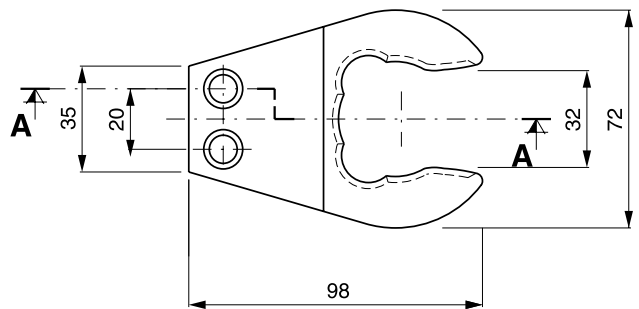
SEZ.A-A



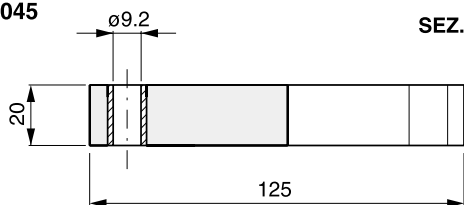
042.0044



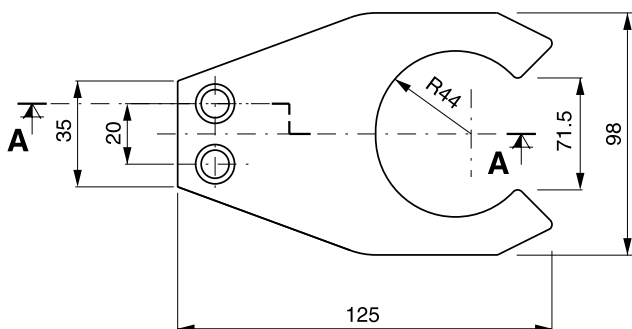
SEZ.A-A



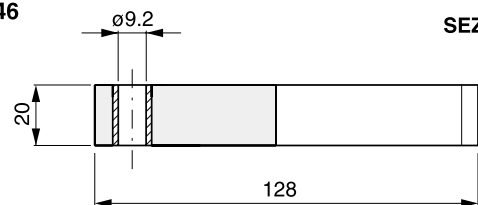
042.0045



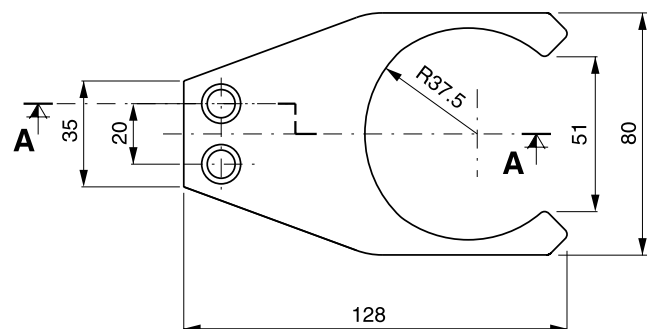
SEZ.A-A



042.0046



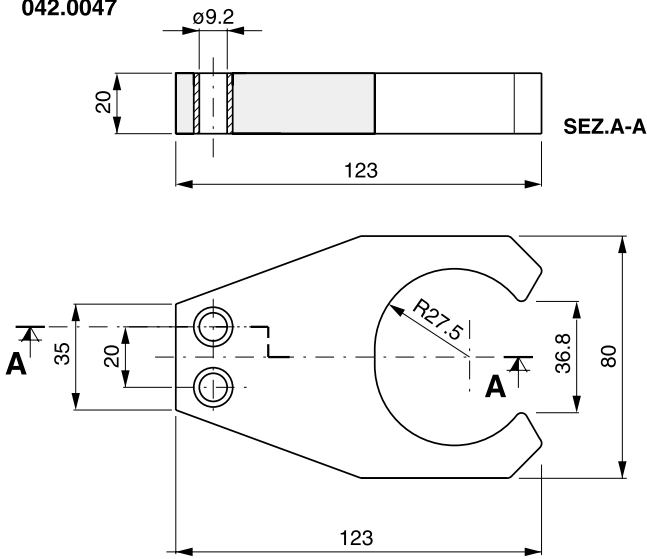
SEZ.A-A



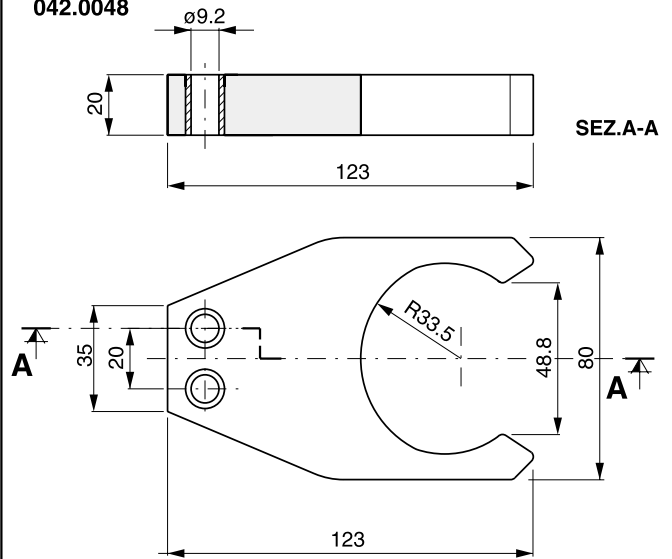
FILLING MACHINE GRIPPERS
GREIFER FÜR ABFÜLLMASCHINEN

PINCES POUR SOUTIREUSES
PINZAS PARA LLENADORAS

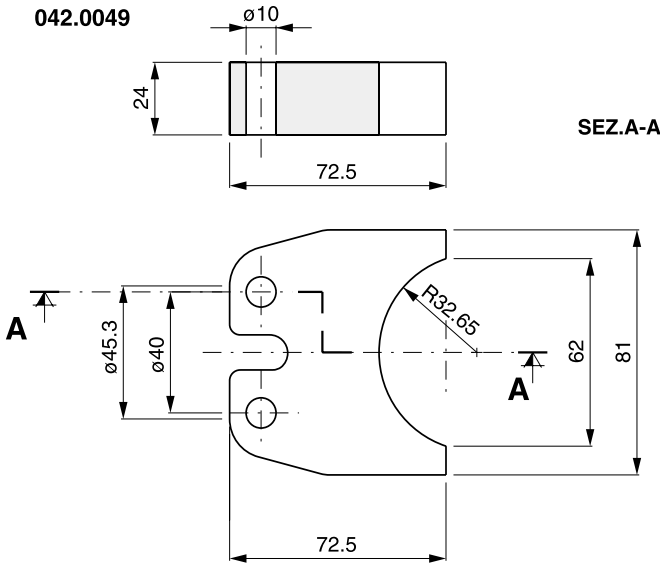
042.0047



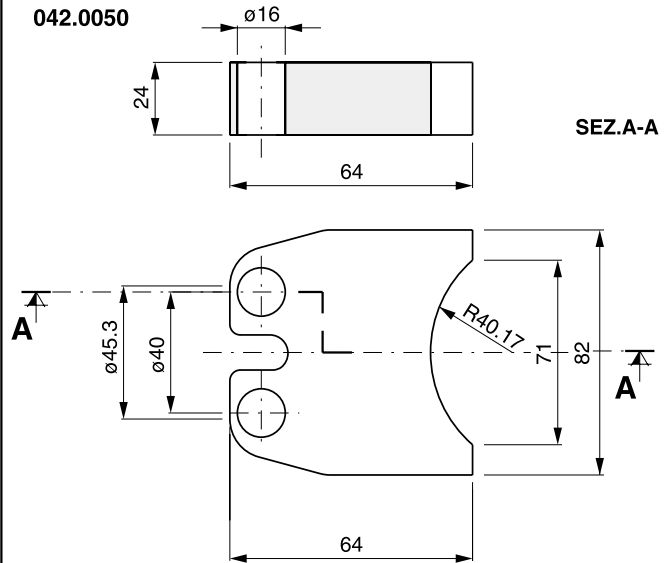
042.0048



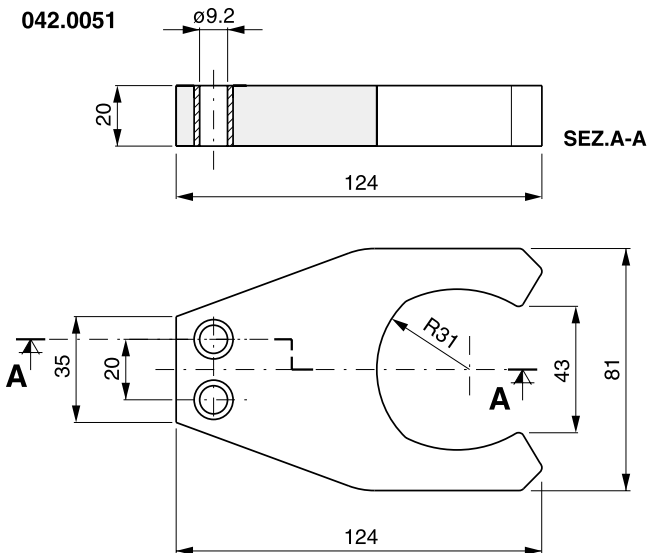
042.0049



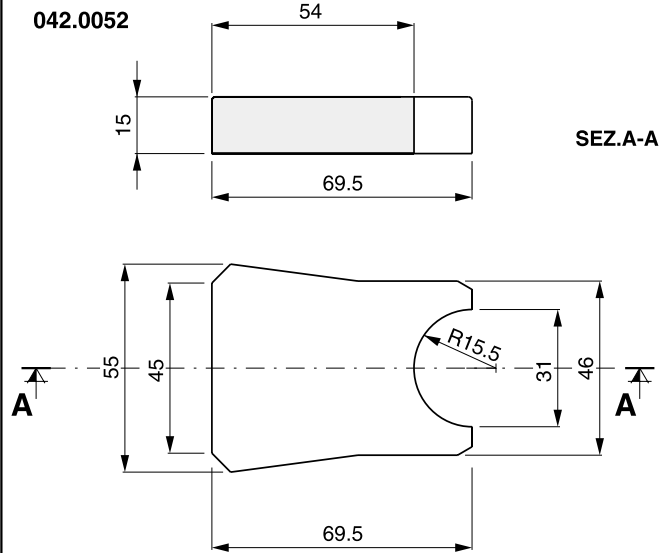
042.0050



042.0051



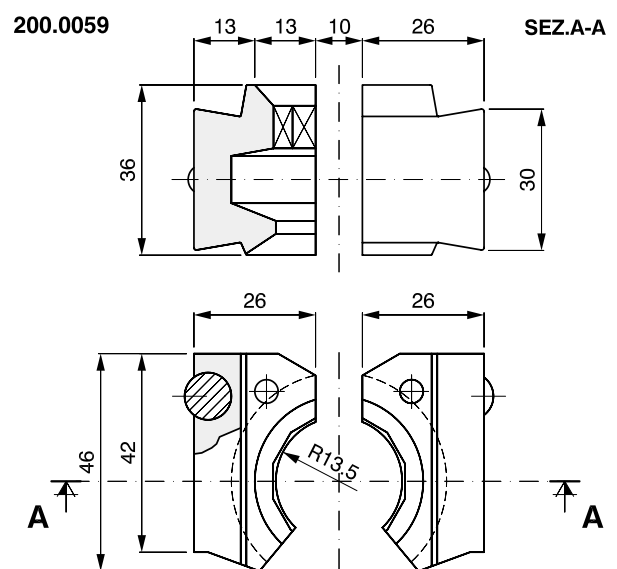
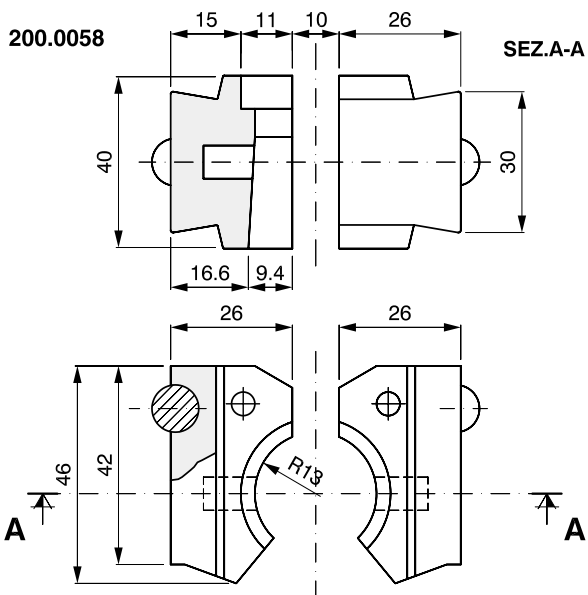
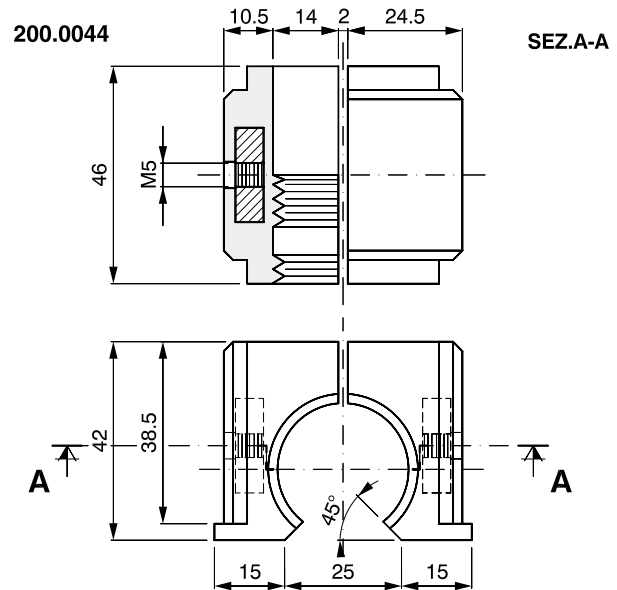
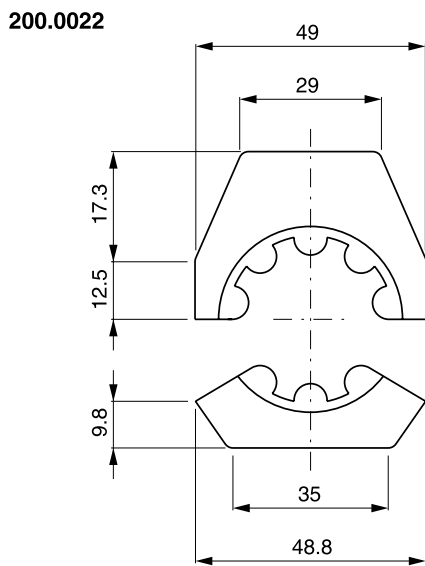
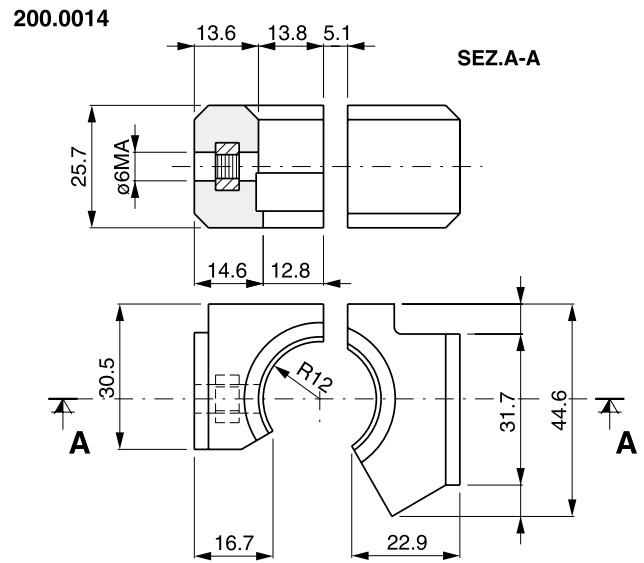
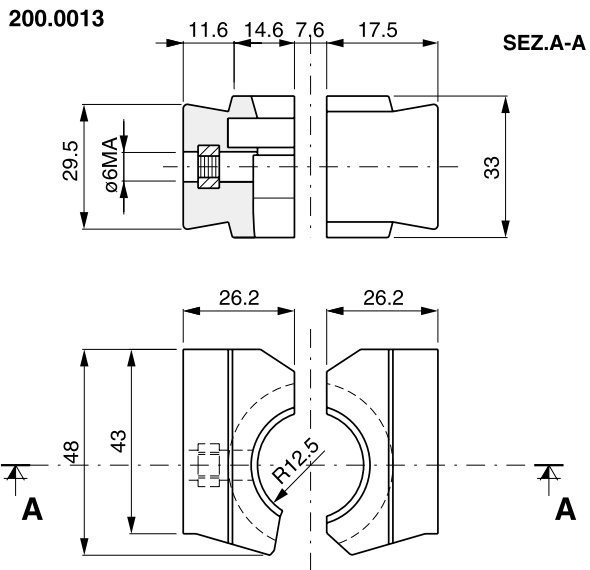
042.0052





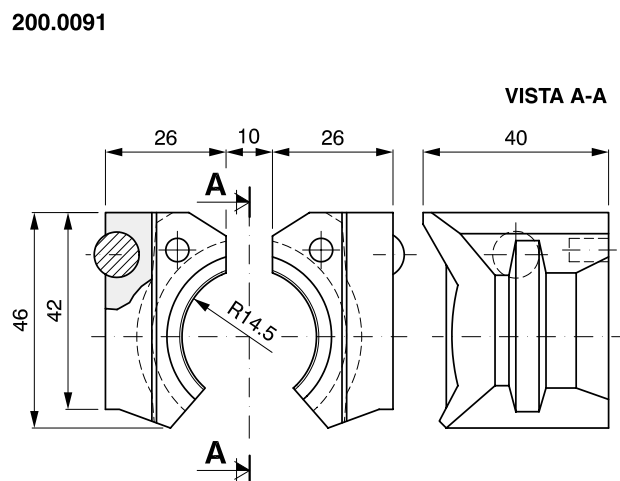
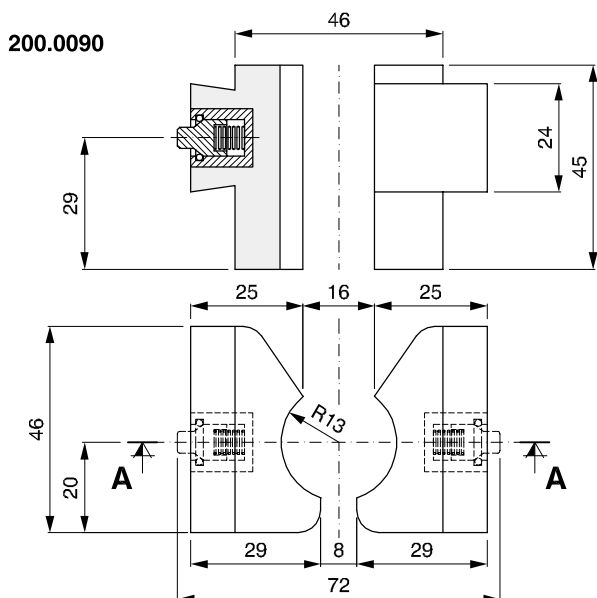
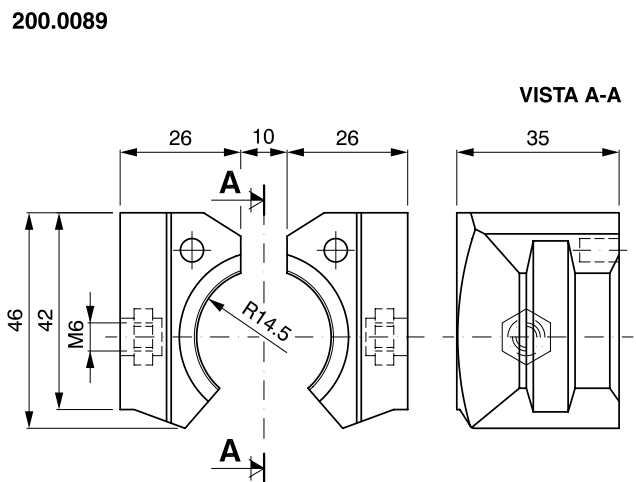
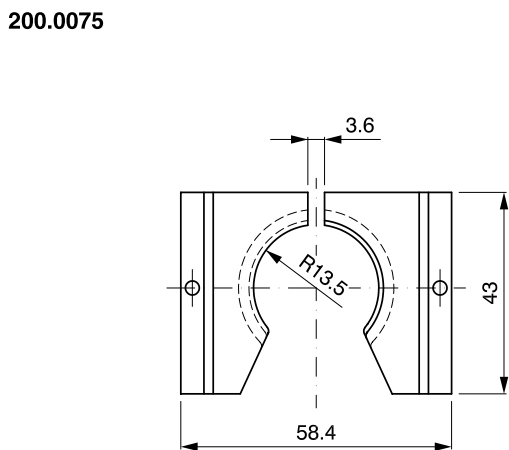
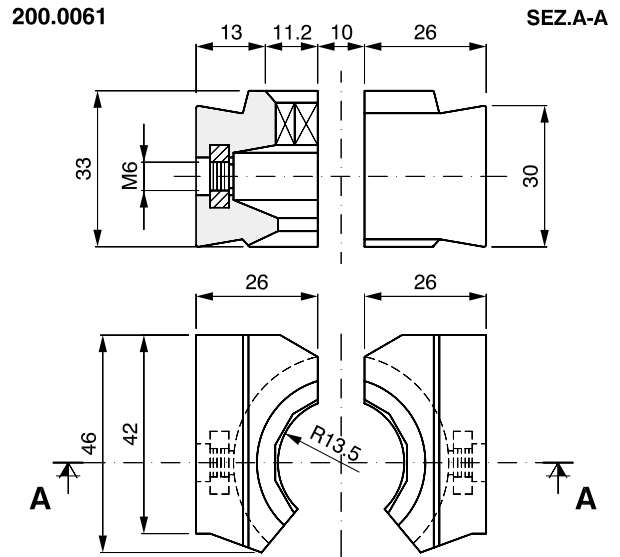
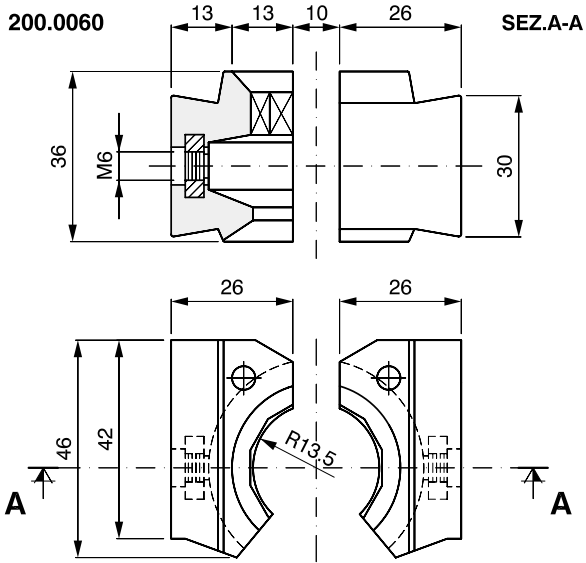
FILLING MACHINE COMPONENTS
GREIFER FÜR ABFÜLLMASCHINEN

PINCES POUR RINCEUSES
PINZAS PARA ENJUGADORAS



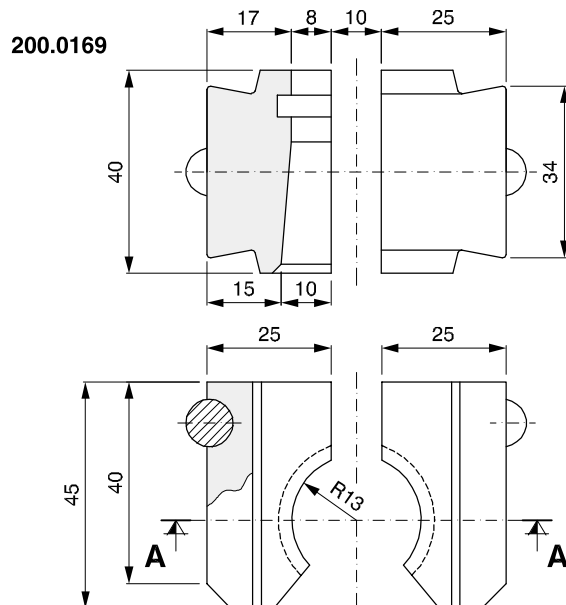
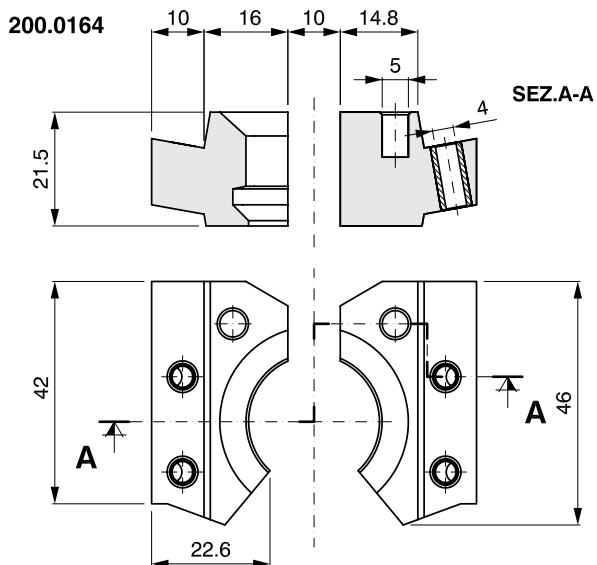
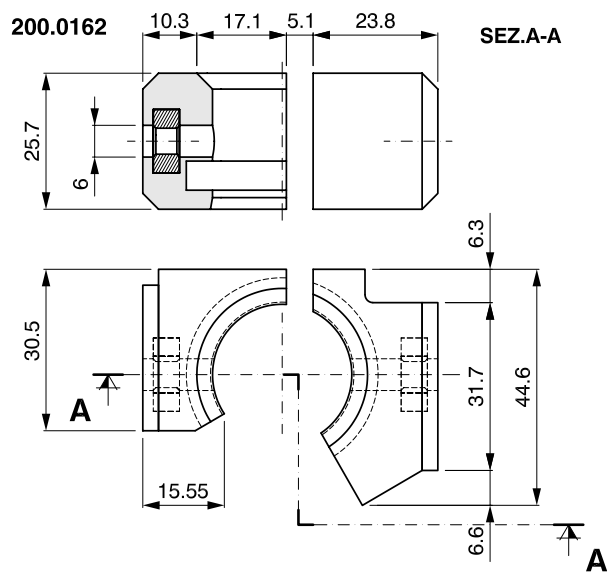
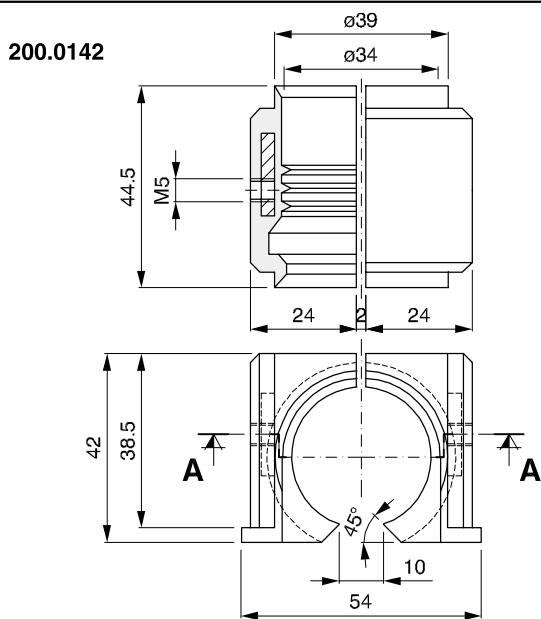
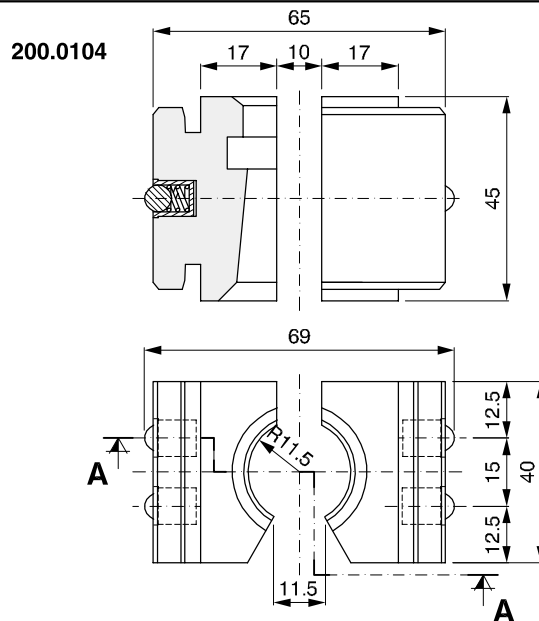
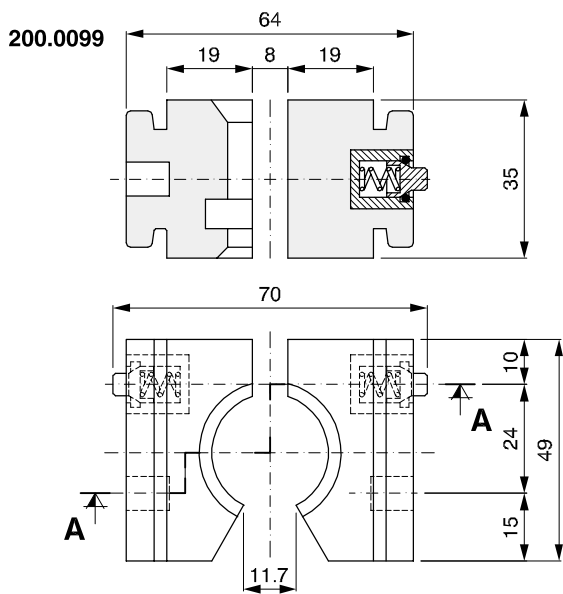
FILLING MACHINE COMPONENTS
GREIFER FÜR ABFÜLLMASCHINEN

PINCES POUR RINCEUSES
PINZAS PARA ENJUGADORAS



RINSING MACHINE COMPONENTS
KOMPONENTEN FÜR SPÜLMASCHINEN

COMPOSANTS POUR RINCEUSES
COMPONENTES PARA ENJUGADORAS

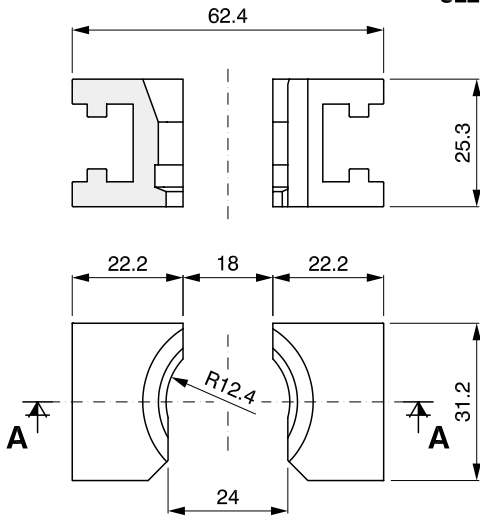


RINSING MACHINE COMPONENTS
KOMPONENTEN FÜR SPÜLMASCHINEN

COMPOSANTS POUR RINCEUSES
COMPONENTES PARA ENJUGADORAS

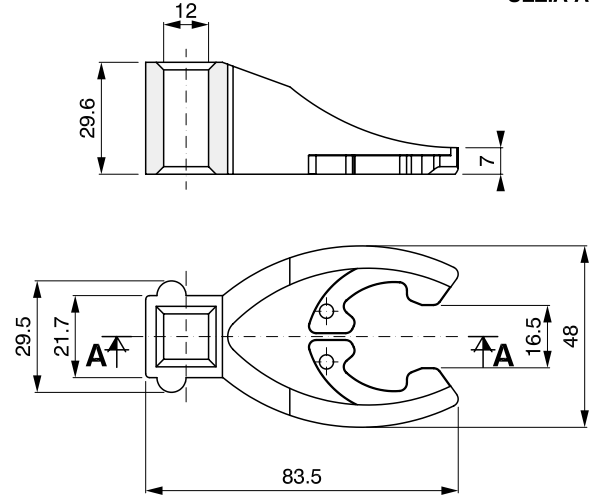
200.0182

SEZ.A-A



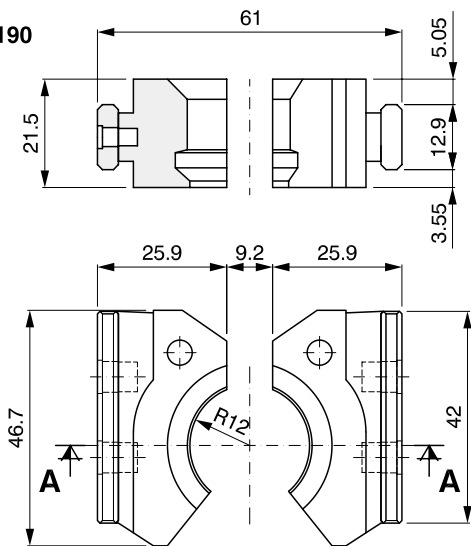
200.0187

SEZ.A-A



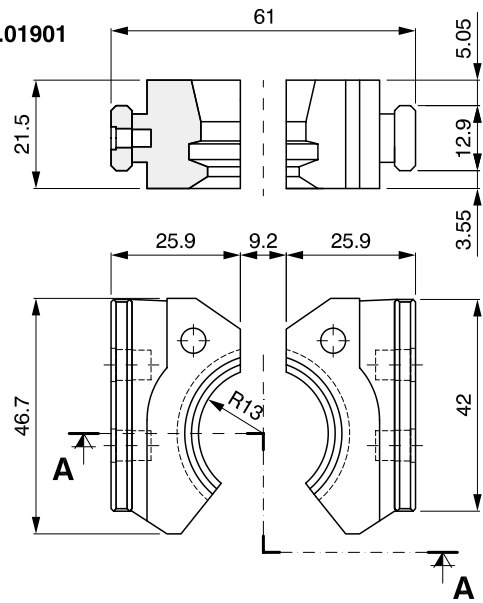
200.0190

SEZ.A-A



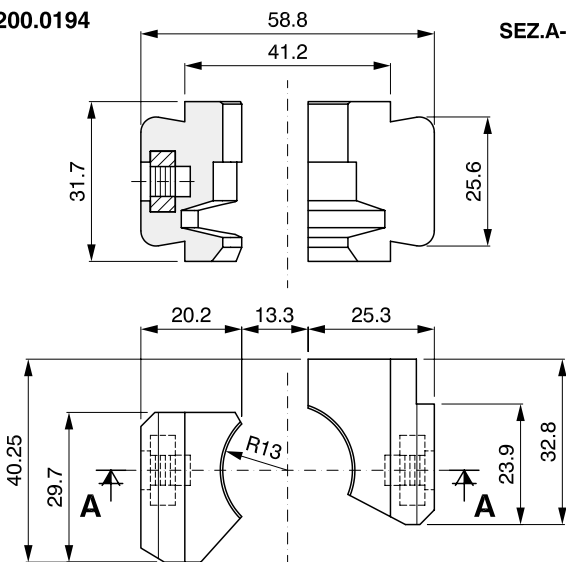
200.01901

SEZ.A-A

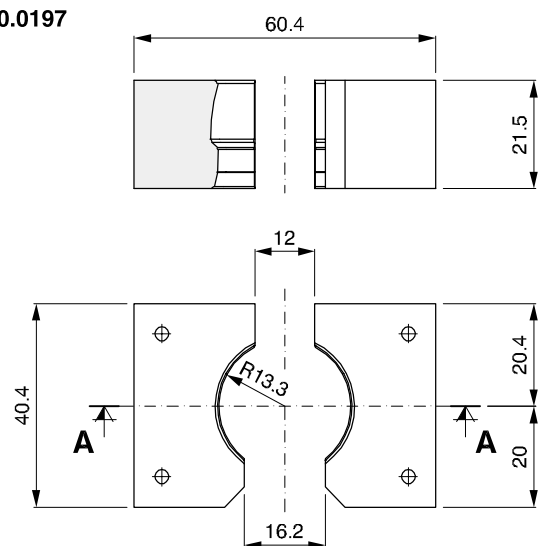


200.0194

SEZ.A-A

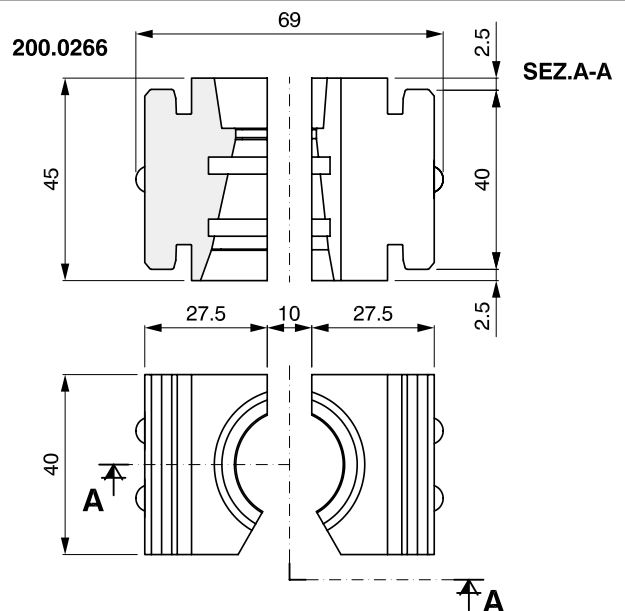
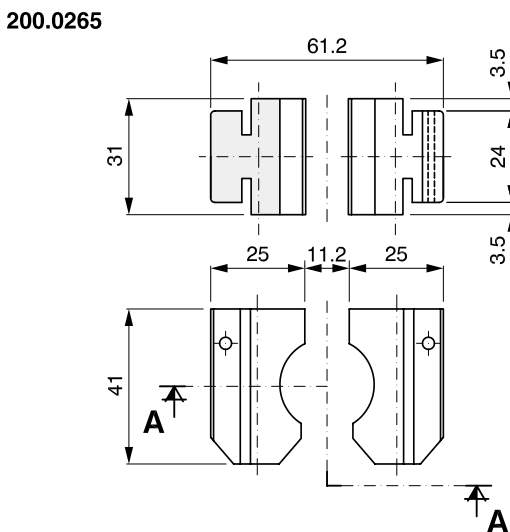
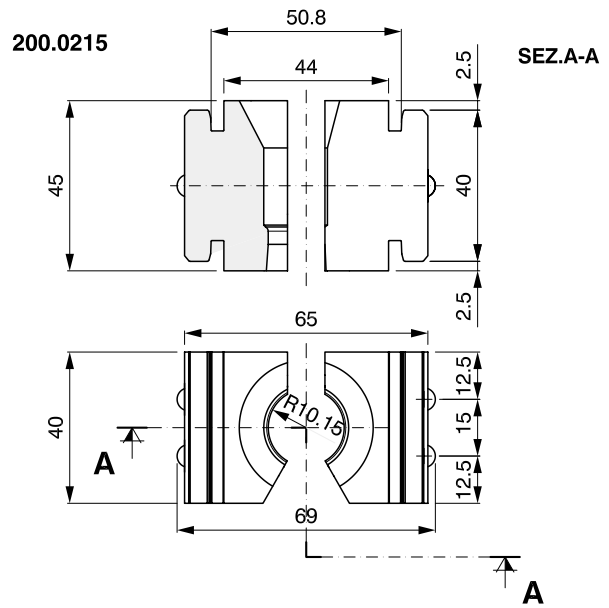
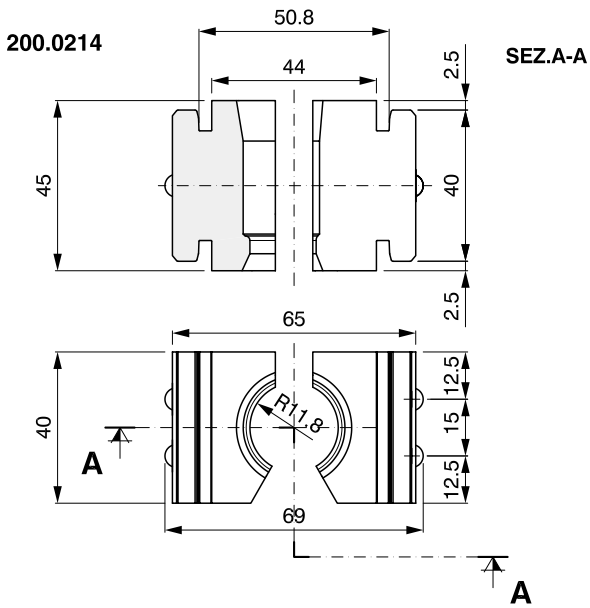
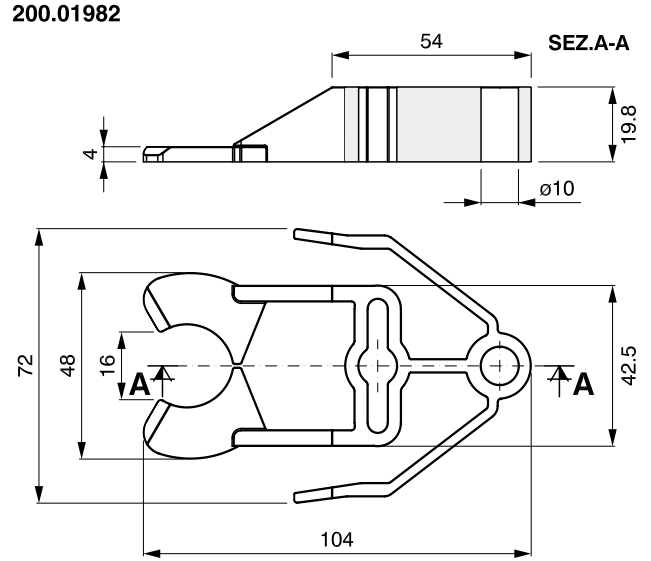
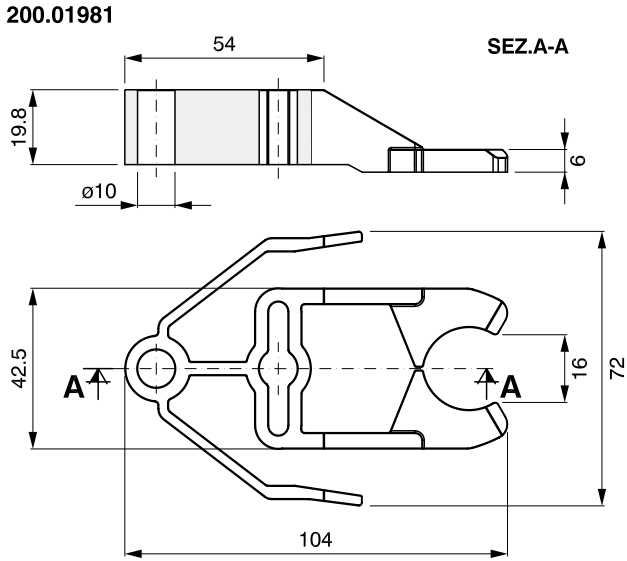


200.0197



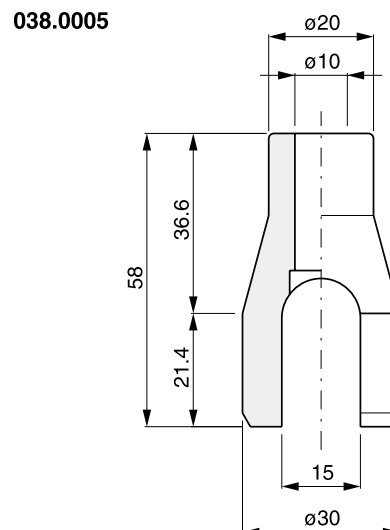
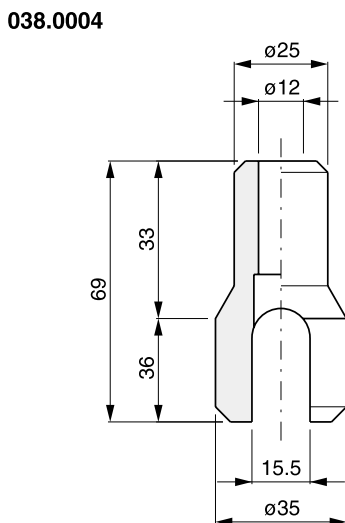
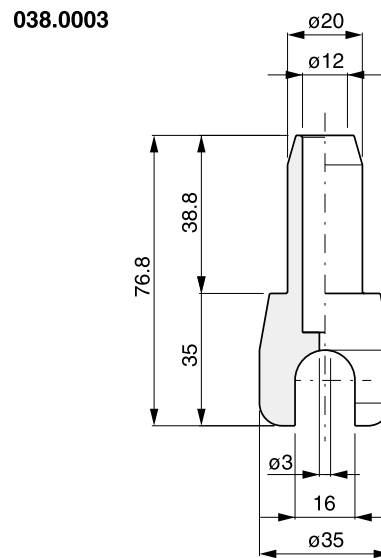
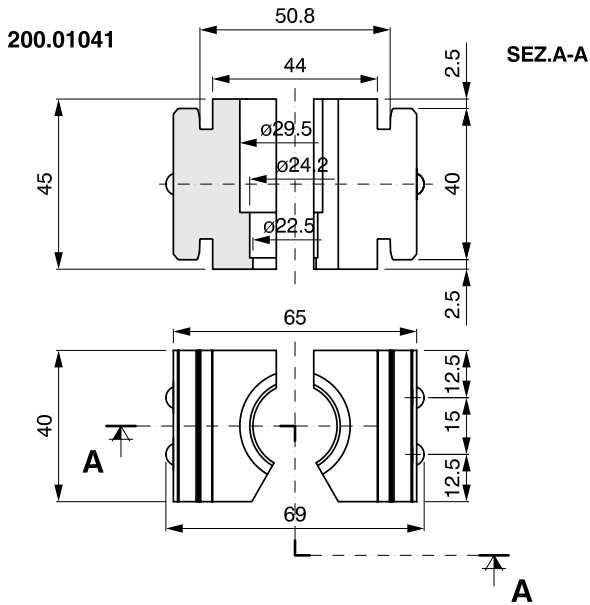
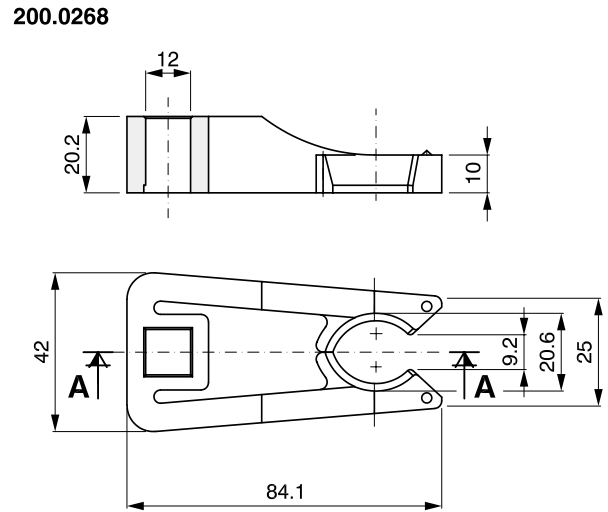
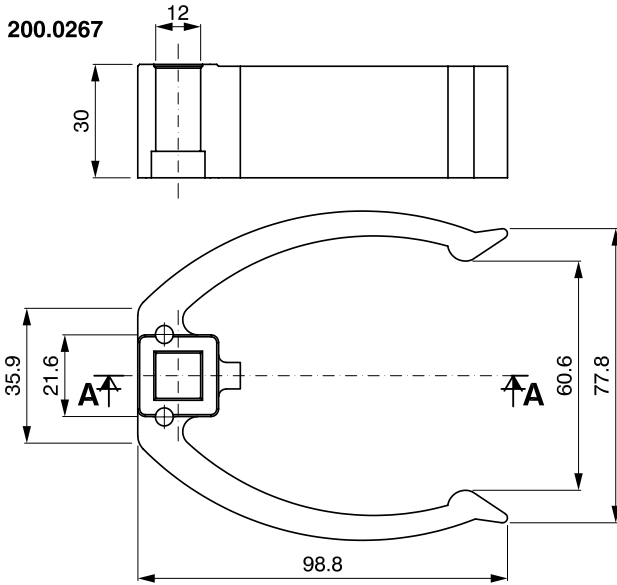
RINSING MACHINE COMPONENTS
KOMPONENTEN FÜR SPÜLMASCHINEN

COMPOSANTS POUR RINCEUSES
COMPONENTES PARA ENJUGADORAS



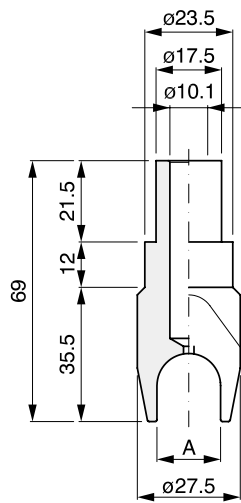
RINSING MACHINE COMPONENTS
KOMPONENTEN FÜR SPÜLMASCHINEN

COMPOSANTS POUR RINCEUSES
COMPONENTES PARA ENJUGADORAS



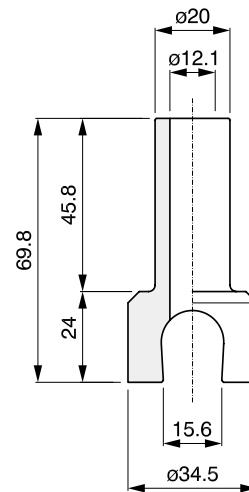
RINSING MACHINE COMPONENTS
KOMPONENTEN FÜR SPÜLMASCHINEN

COMPOSANTS POUR RINCEUSES
COMPONENTES PARA ENJUGADORAS

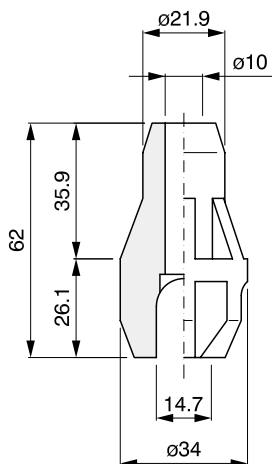


COD.	A
038.0006	17
038.0007	14

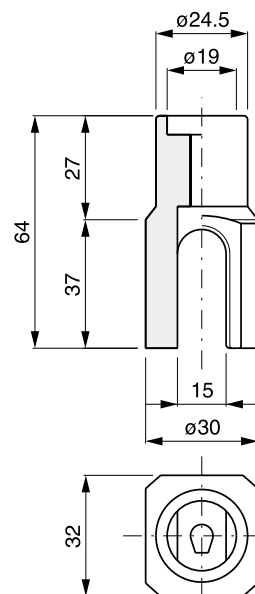
038.0008



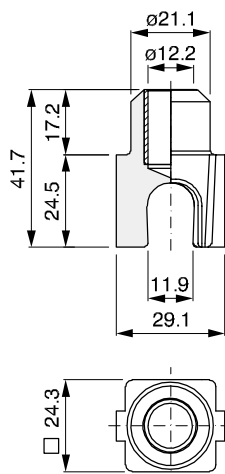
038.0009



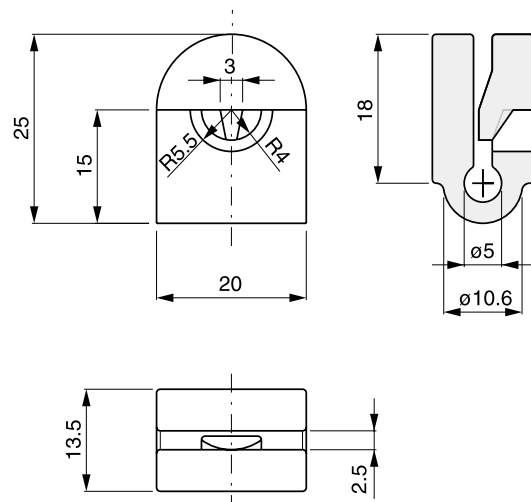
038.0001



038.0010

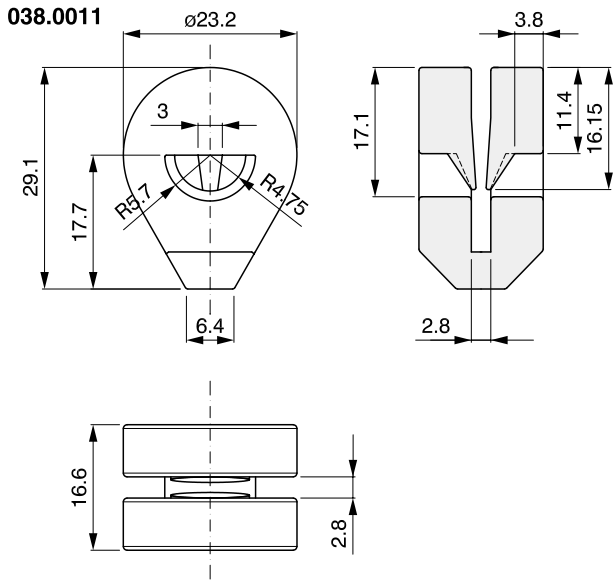


038.0002



RINSING MACHINE COMPONENTS
KOMPONENTEN FÜR SPÜLMASCHINEN

COMPOSANTS POUR RINCEUSES
COMPONENTES PARA ENJUGADORAS



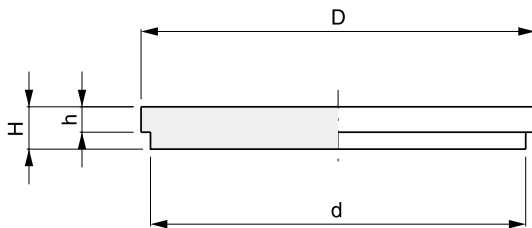


BOTTLE PADS

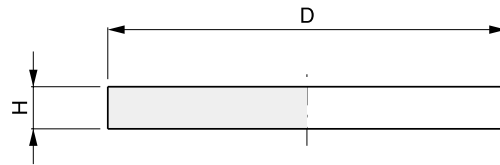
SELLETTES

FLASCHENTELLER

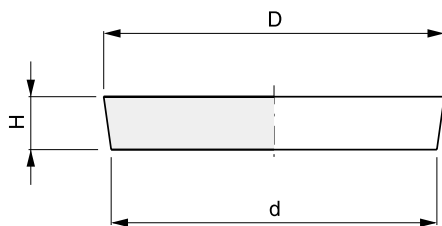
PLATOS PORTABOTELLAS



COD.	D	d	H	h
043.0044	57	52	6	3
043.0001	94	89.5	10	6
043.0025	99	95	18.5	6
043.0003	100	94	14	10
043.0049	100	95	14	10
043.0002	104	98	13	10
043.0061	114	107	10	6
043.0004	120	115	15	11

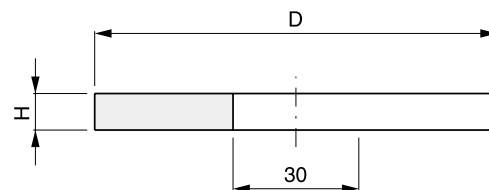
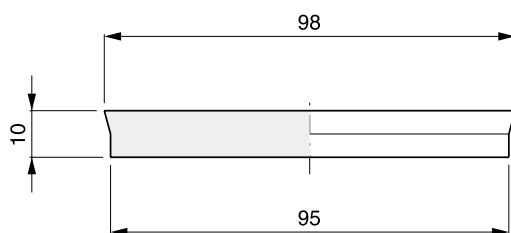


COD.	D	H
043.0040	65.5	15
043.0024	75.6	14
043.0014	95	12
043.0039	95	14
043.0013	96	6
043.0041	125	8
043.0081	70	14



COD.	D	d	H
043.0028	69.3	68	14
043.0027	77	75.5	14
043.0009	82	78	8
043.0005	90	88	14
043.0012	91	90	14
043.0006	92	88	14
043.0010	94	90	10
043.0007	100	91	10
043.0008	102	98	10
043.0051	104	100	8
043.0011	105	100	14
043.0047	120	110	8

043.0015



COD.	D	H
043.0048	74	5
043.0016	80	5
043.0042	95	5
043.0017	97	5

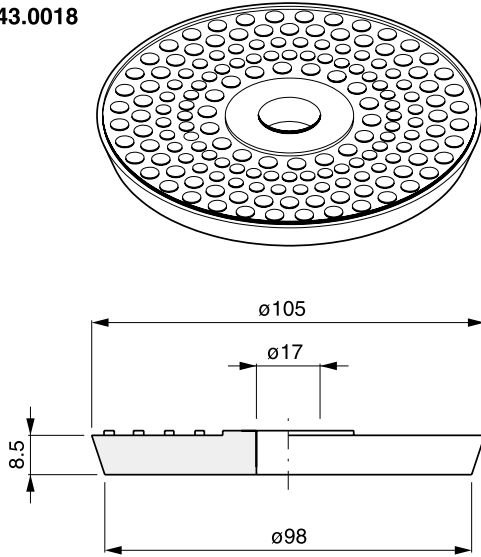
BOTTLE PADS

SELLETTES

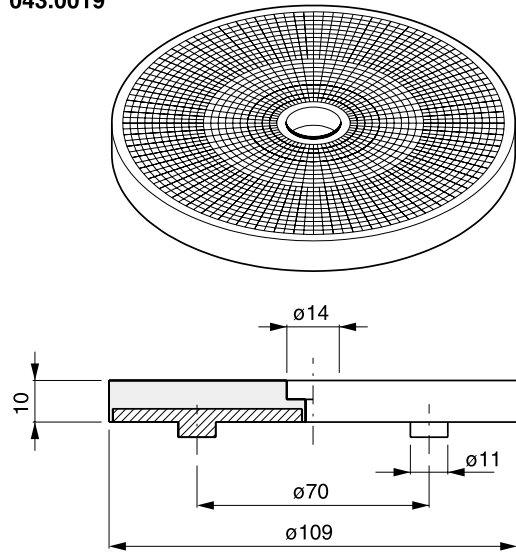
FLASCHENTELLER

PLATOS PORTABOTELLAS

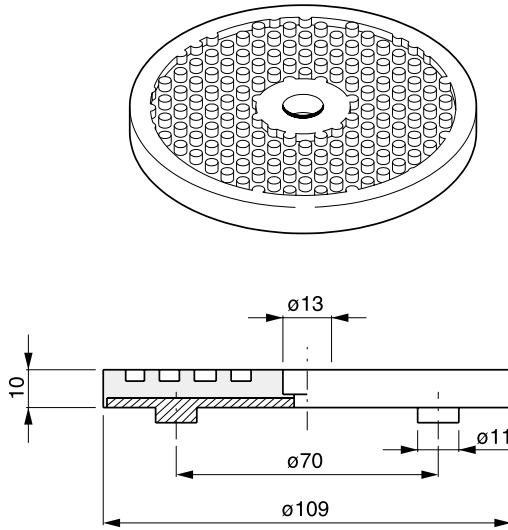
043.0018



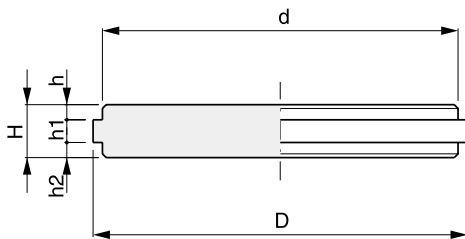
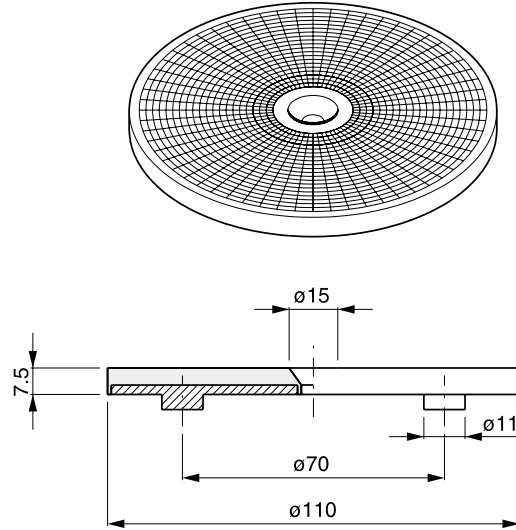
043.0019



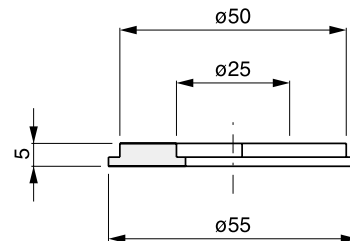
043.0020



043.0021



043.0035



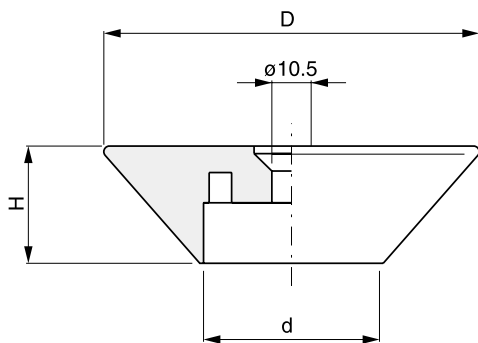
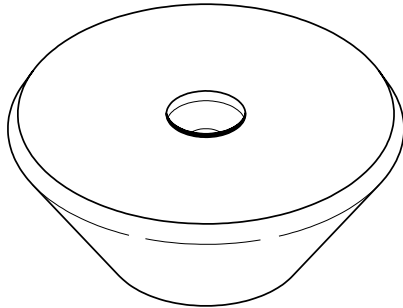
COD.	D	d	h	h1	h2	H
043.0026	87	82	4	6	4	14
043.0073	88	81	4.5	10	4.5	19
043.0057	94	90	4.5	7	4.5	16
043.0058	99	95	4.5	7	4.5	16
043.0023	100	95	4	6	4	14
043.0072	105	100	4	6	4	14

BOTTLE PADS

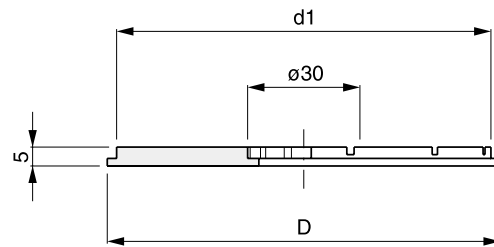
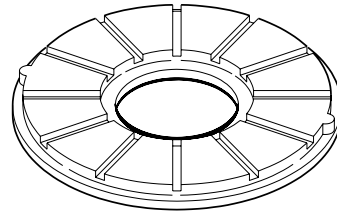
SELLETTES

FLASCHENTELLER

PLATOS PORTABOTELLAS

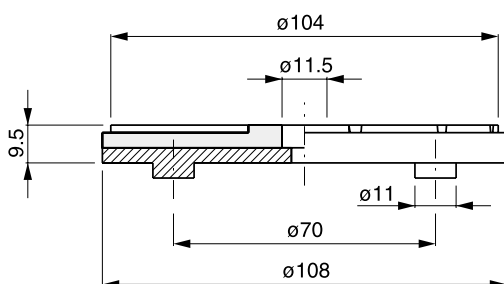
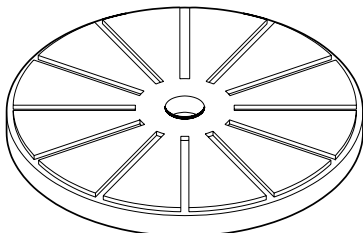


COD.	D	d	H
043.0030	100	55	31
043.0031	100	48	31
043.0029	100	54	30

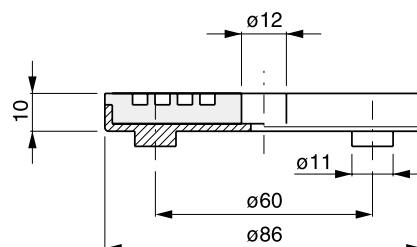
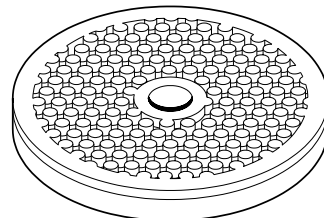


COD.	D	d1
043.0034	65	59
043.0033	78.5	74
043.0032	105	100

043.0036



043.0037



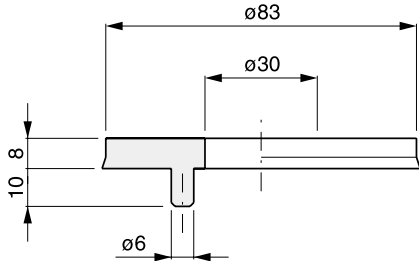
BOTTLE PADS

SELLETTES

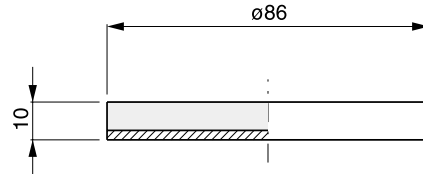
FLASCHENTELLER

PLATOS PORTABOTELLAS

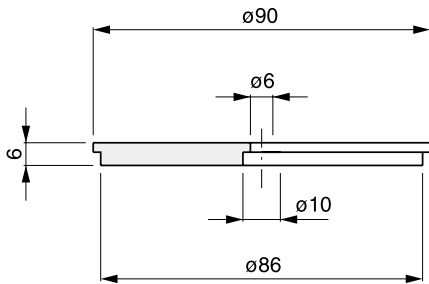
043.0038



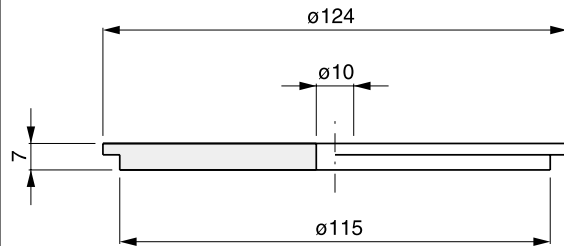
043.0043



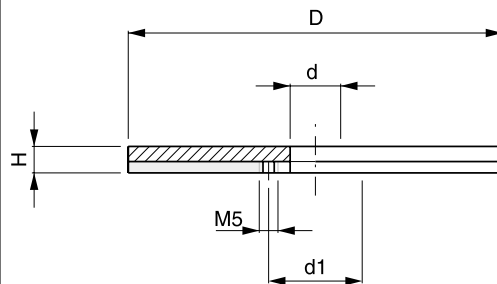
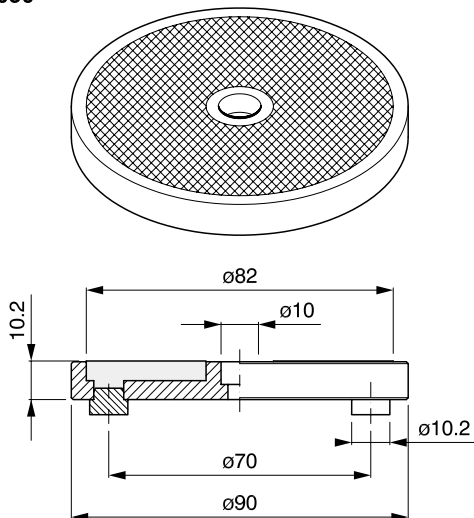
043.0045



043.0046



043.0050



COD.	D	d	d1	H
043.0063	100	13.5	25	7
043.0062	114	13.5	25	7
043.0064	130	14	50	7

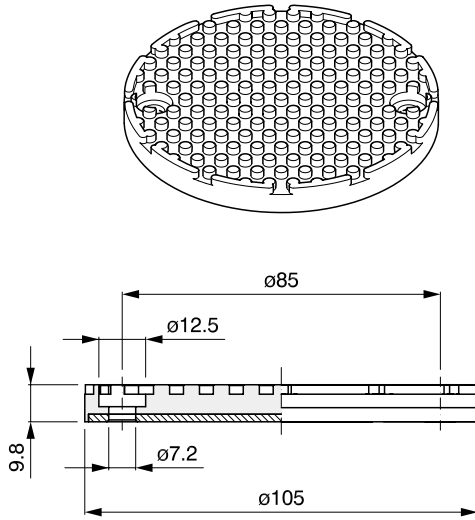
BOTTLE PADS

SELLETTES

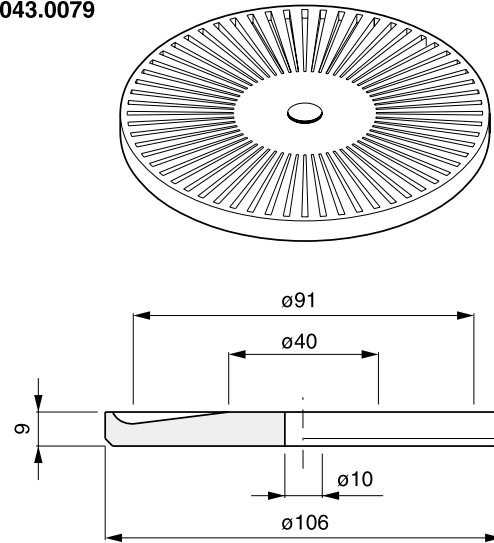
FLASCHENTELLER

PLATOS PORTABOTELLAS

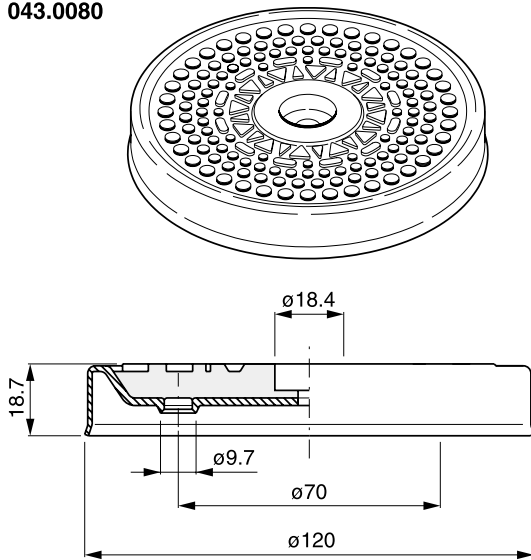
043.0074



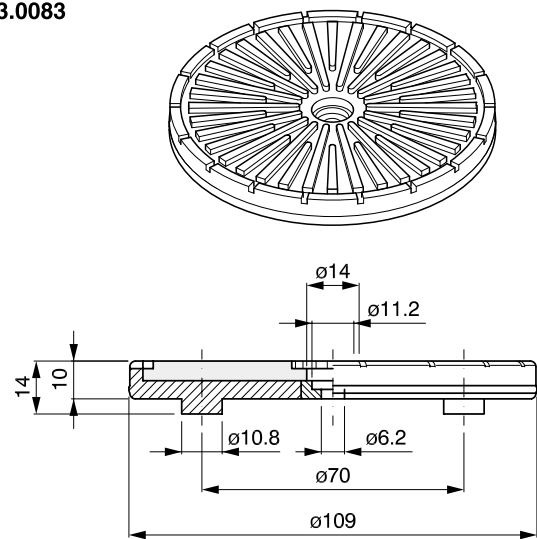
043.0079



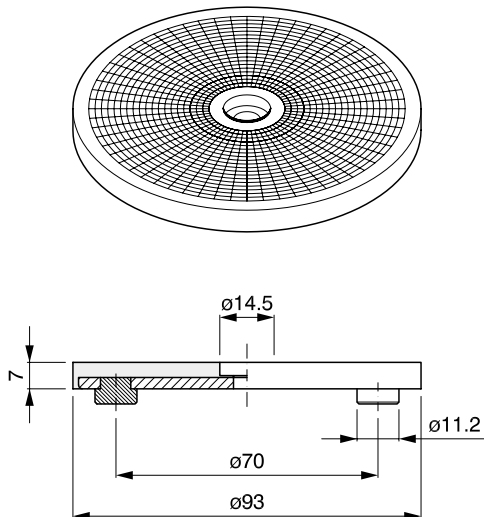
043.0080



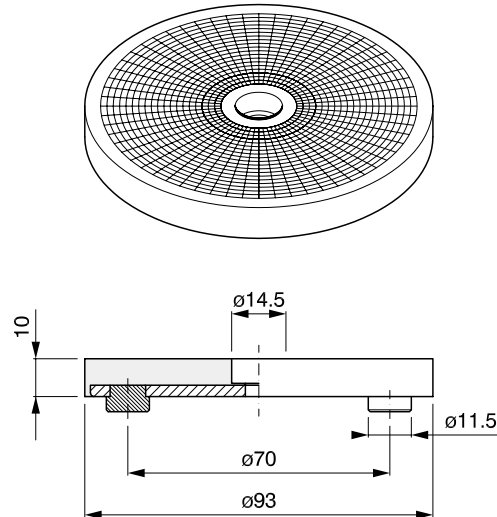
043.0083



043.0085



043.0086



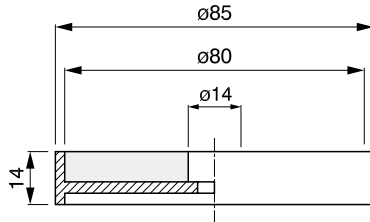
BOTTLE PADS

SELLETTES

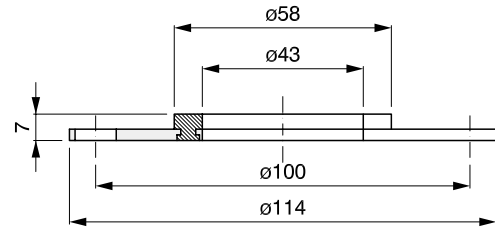
FLASCHENTELLER

PLATOS PORTABOTELLAS

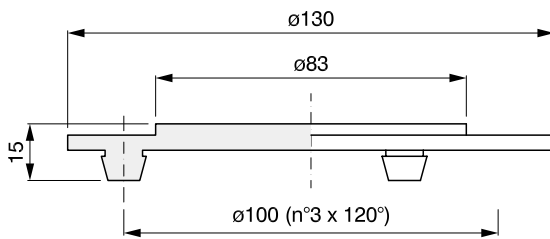
043.0090



043.0091



043.0093

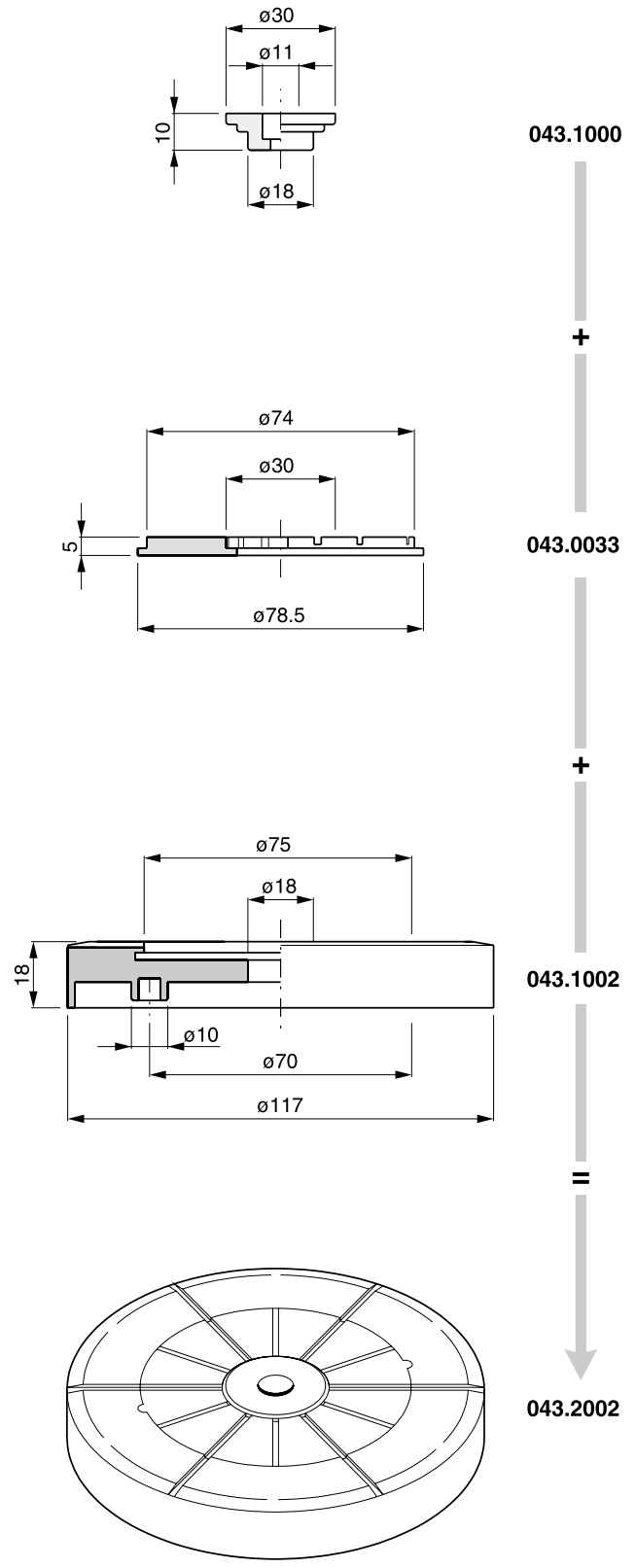
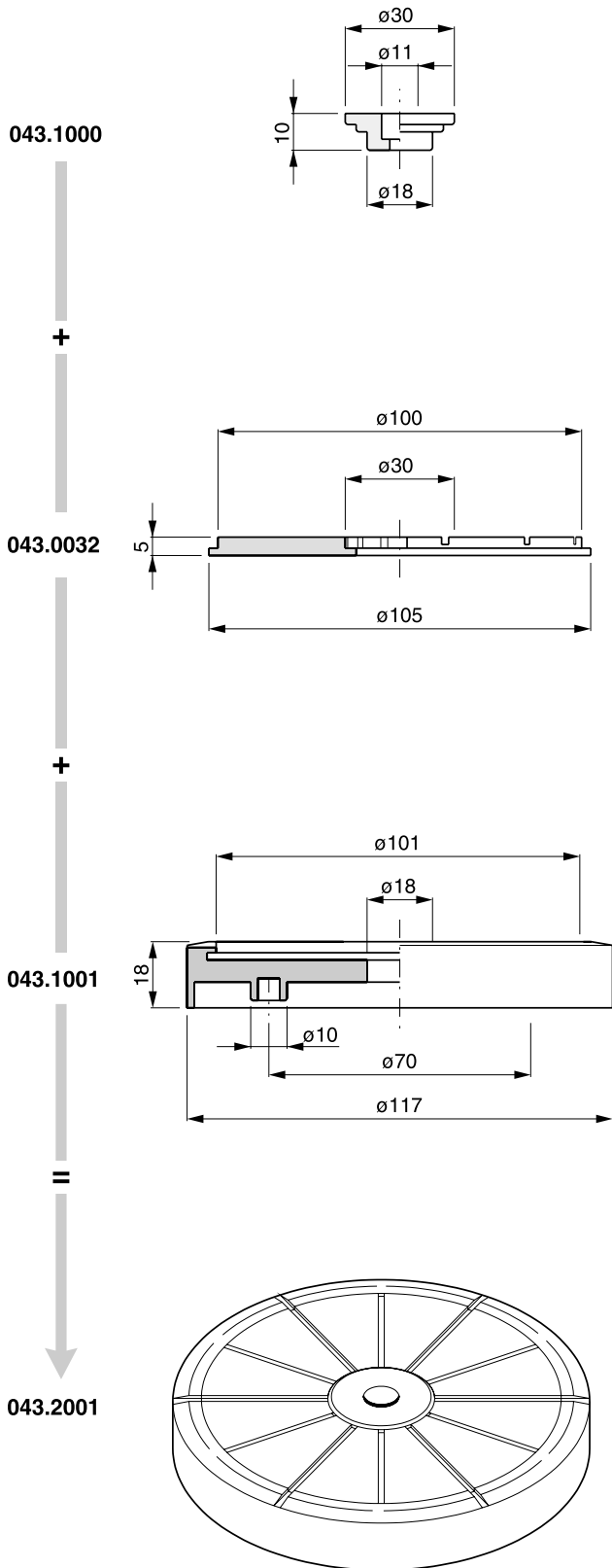


BOTTLE PADS

SELLETTES

FLASCHENTELLER

PLATOS PORTABOTELLAS



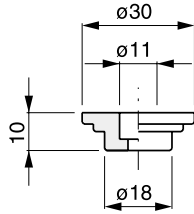
BOTTLE PADS

SELLETTES

FLASCHENTELLER

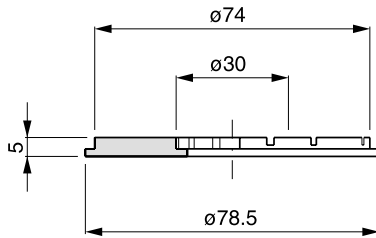
PLATOS PORTABOTELLAS

043.1000



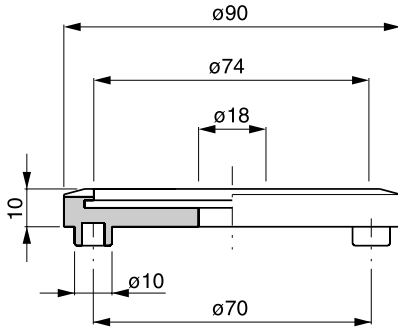
+

043.0033



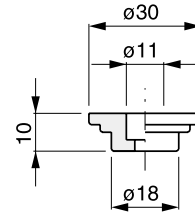
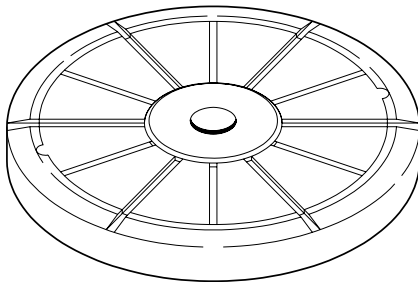
+

043.1003



=

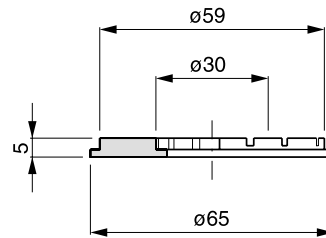
043.2003



043.1000

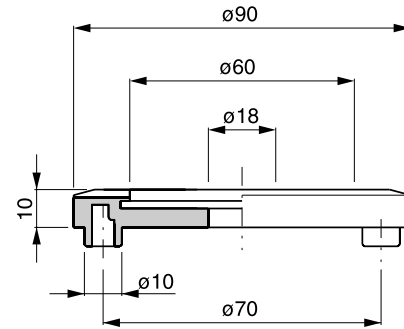
+

043.0034



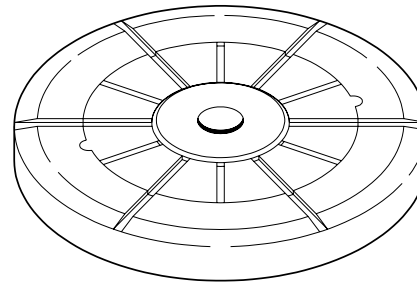
+

043.1004



=

043.2004

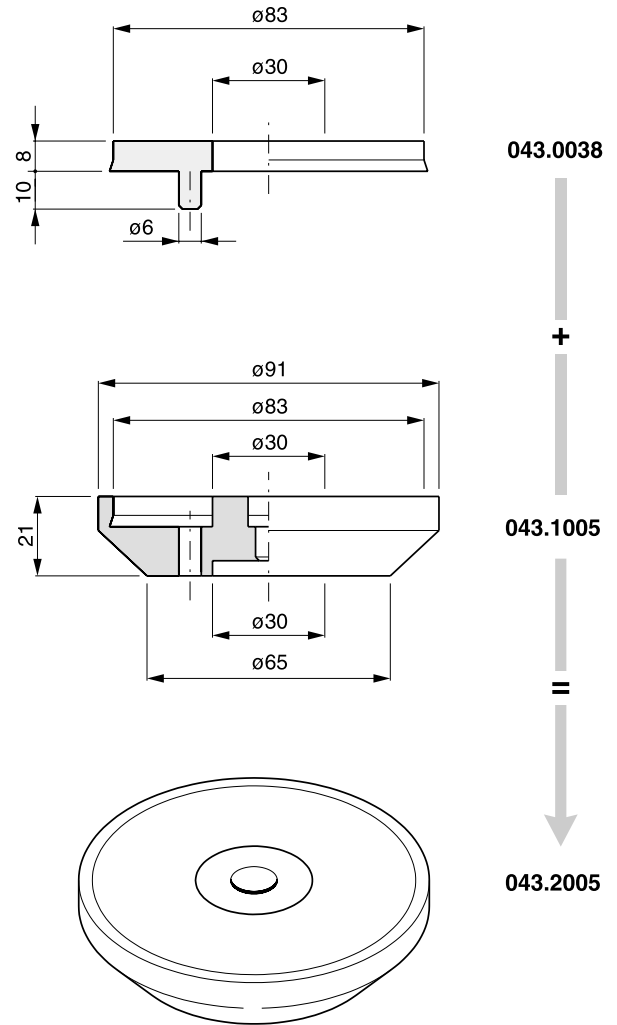
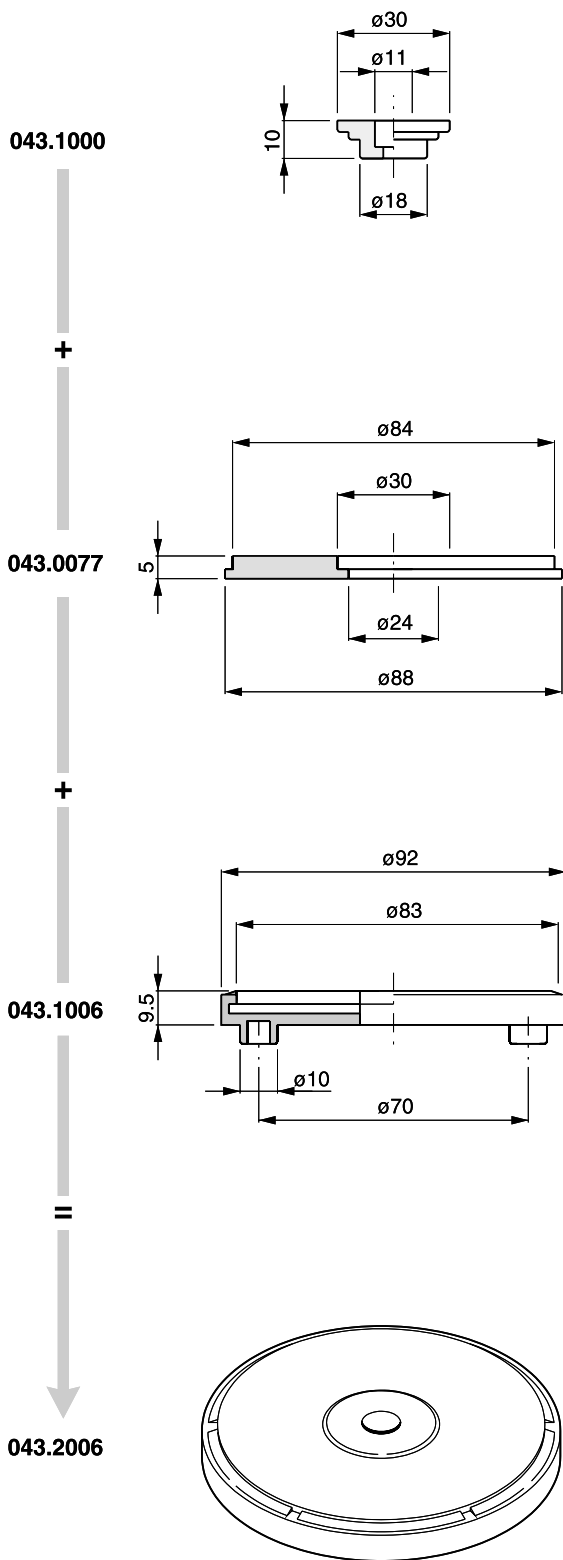


BOTTLE PADS

SELLETTES

FLASCHENTELLER

PLATOS PORTABOTELLAS

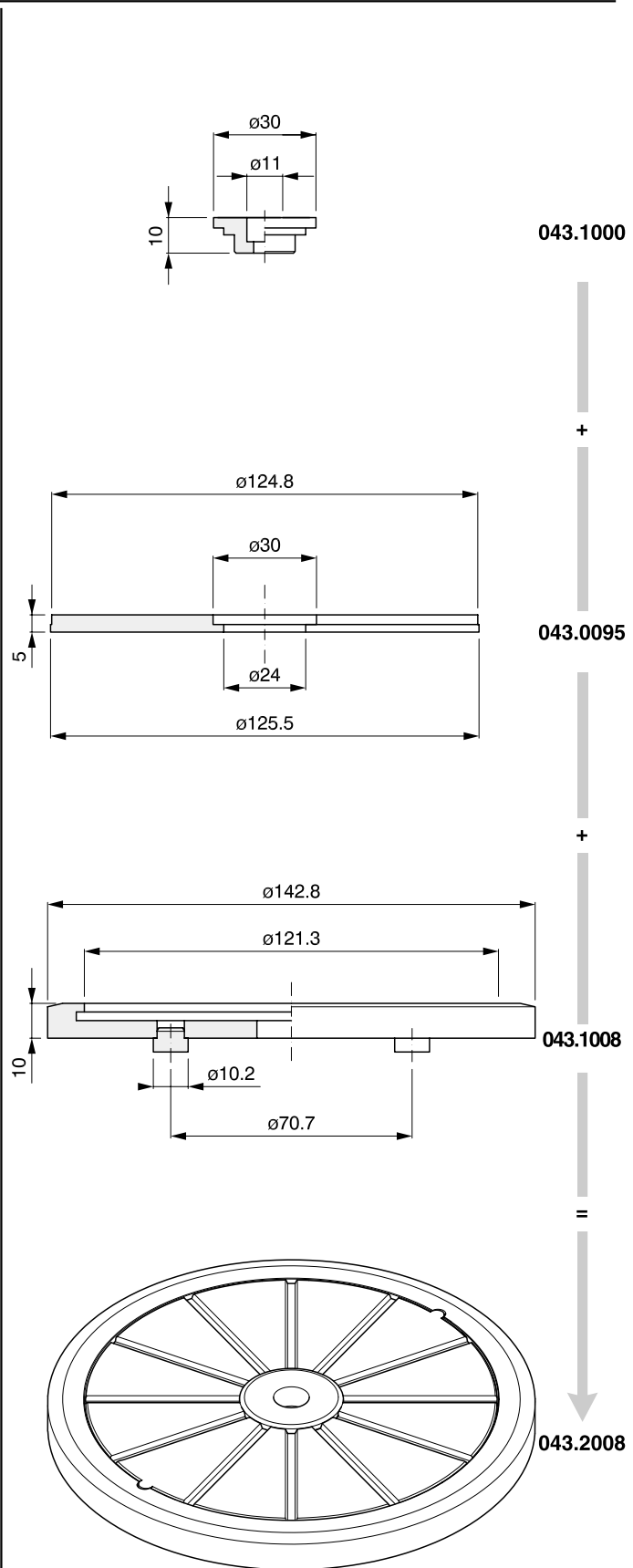
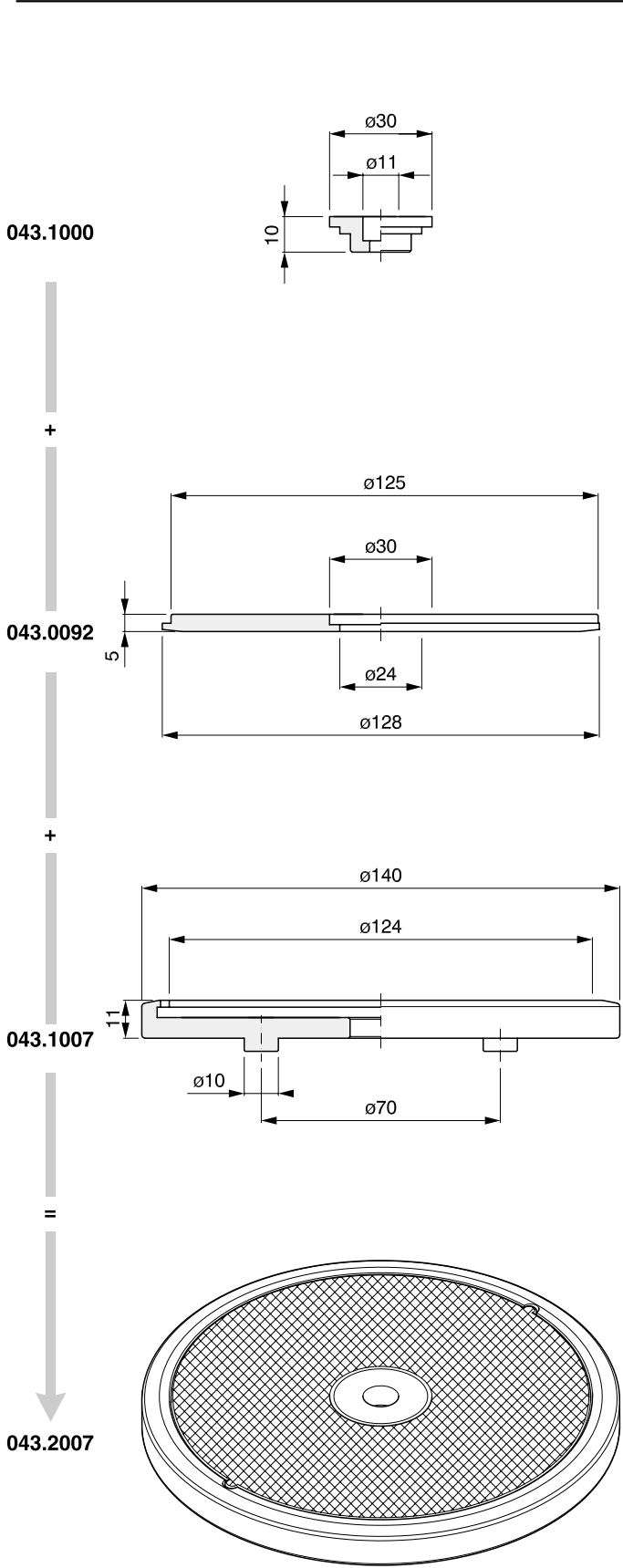


BOTTLE PADS

SELLETTES

FLASCHENTELLER

PLATOS PORTABOTELLAS





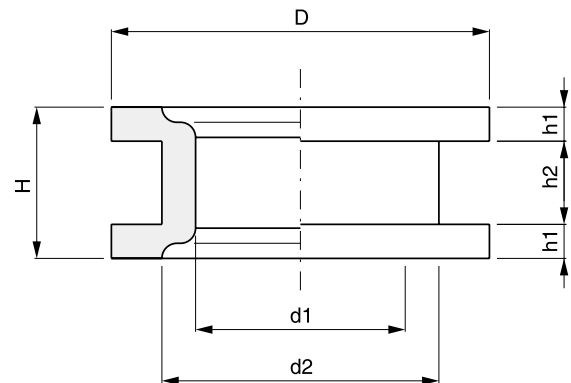
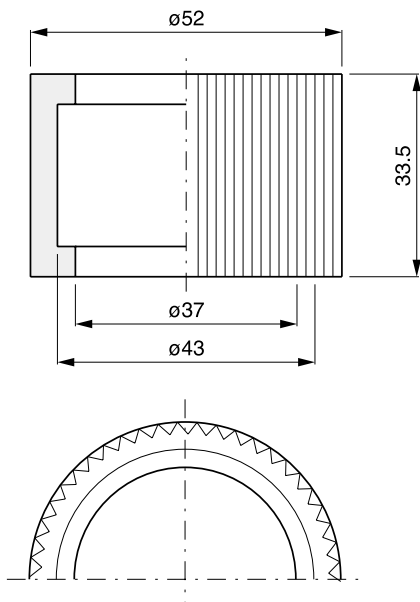
FILTER SEALS

JOINTS DE FILTRES

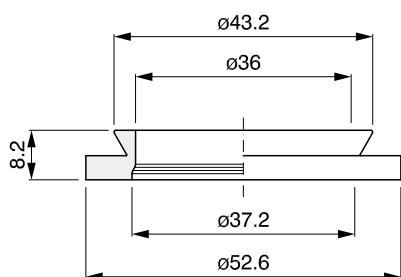
FILTERDICHTUNGEN

JUNTAS FILTROS

044.0001



200.0161



COD.	D	d1	d2	H	h1	h2
044.0008	48	27.5	33.5	21	5	11
044.0004	49.5	29.5	36	46.5	4.6	37.3
044.0002	50.5	28	37	20	4.5	11
044.0003	50.5	29	37	36	5	26
044.0009	79	54.5	63	20	4.5	11
044.0011	98.8	79	-	19	6	7
044.0005	108	80	88	19.7	4.5	10.7
044.0006	108	80	88	31.4	4.5	22.4
044.0007	108	80	88	46.5	4.5	37.5
044.0010	115	78	88	18	5	8



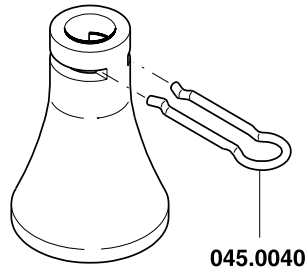
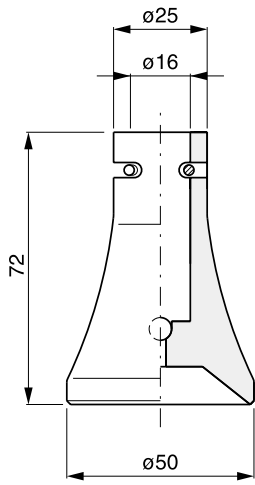
LABELLERS

ETIQUETEUSES

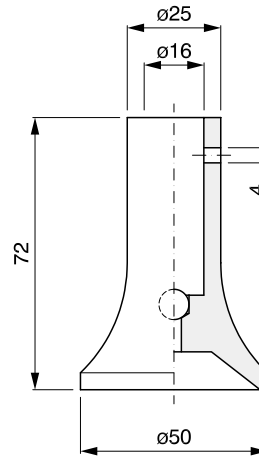
ETIKETTIERMASCHINE

ETIQUETADORAS

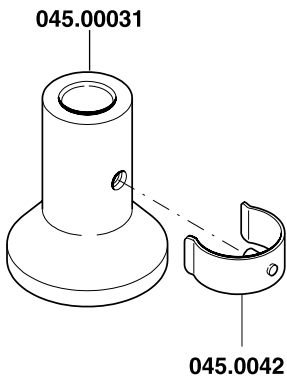
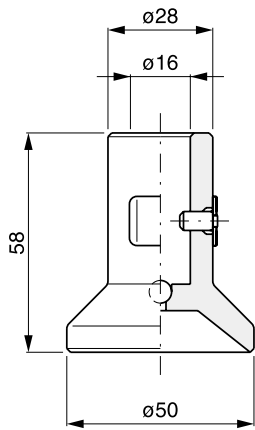
045.0001



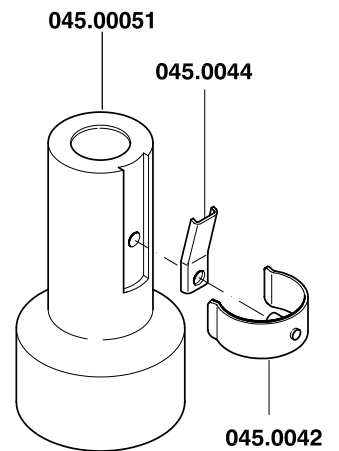
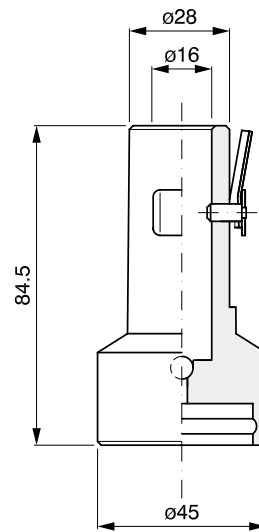
045.0007



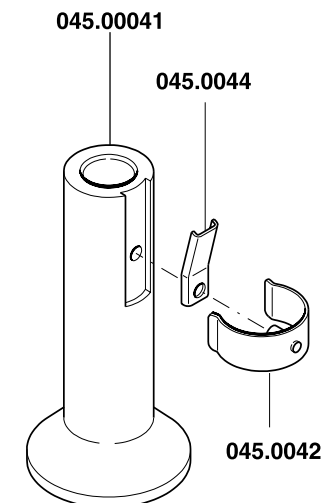
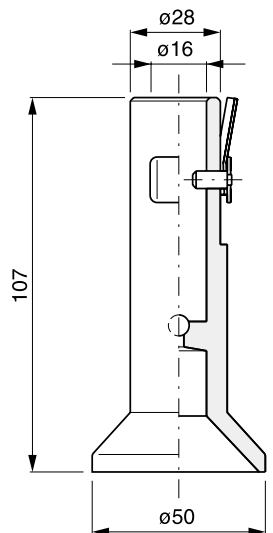
045.0003



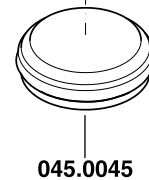
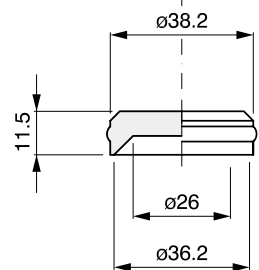
045.0005



045.0004



045.0045



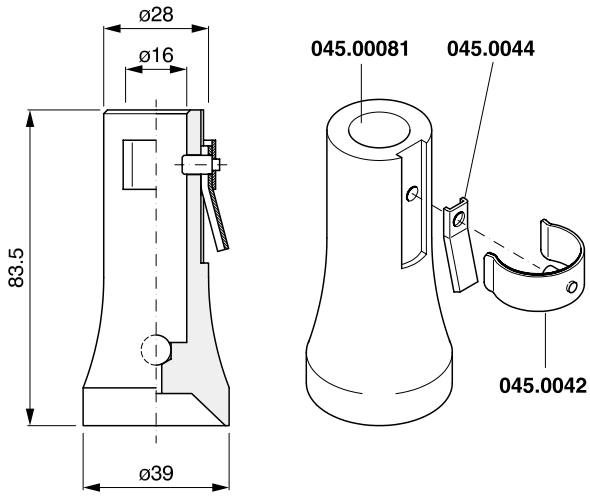
LABELLERS

ETIQUETEUSES

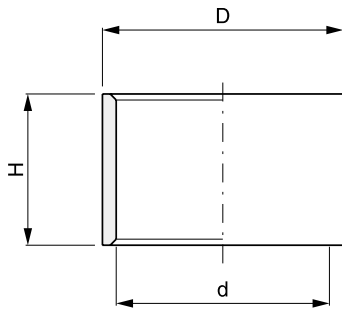
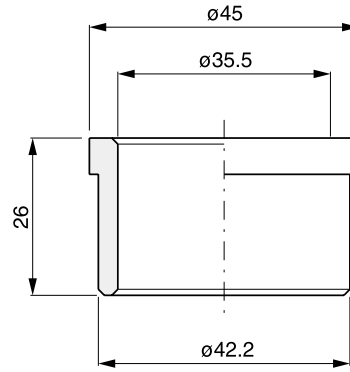
ETIKETTIERMASCHINE

ETIQUETADORAS

045.0008

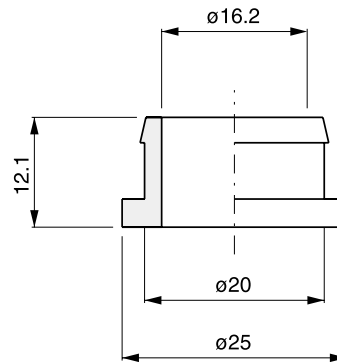


045.0050

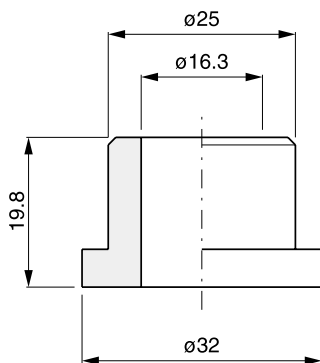


COD.	D	d	H
045.0052	26.3	16.4	30
045.0051	40.2	35.6	25

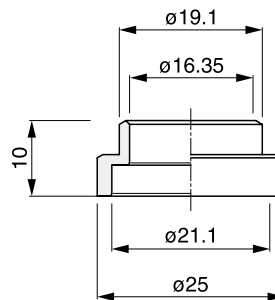
045.0053



045.0054



045.0055

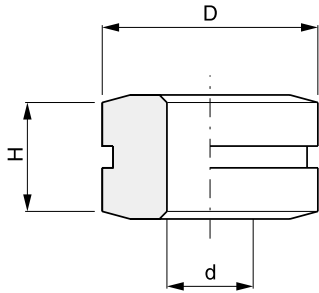


LABELLERS

ETIQUETEUSES

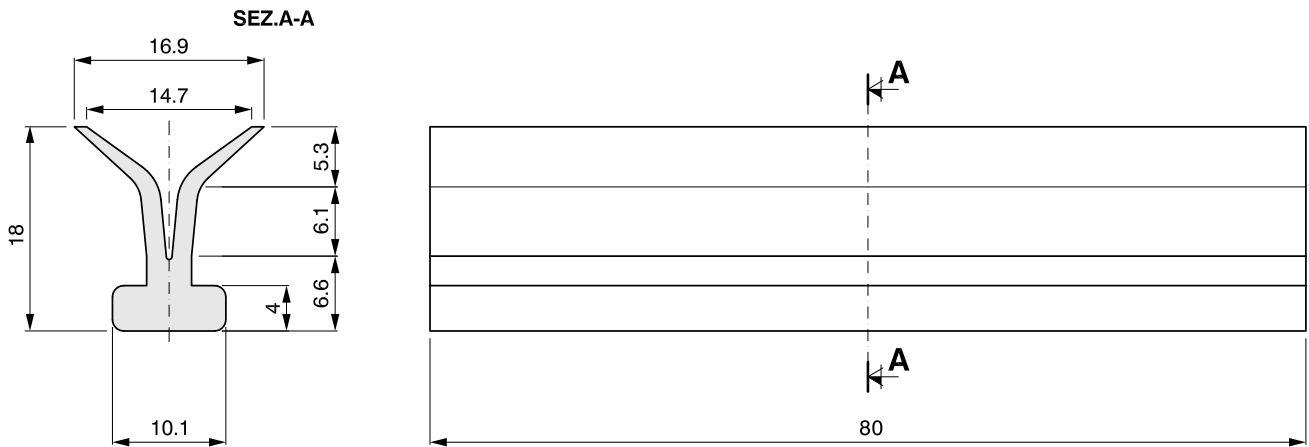
ETIKETTIERMASCHINE

ETIQUETADORAS

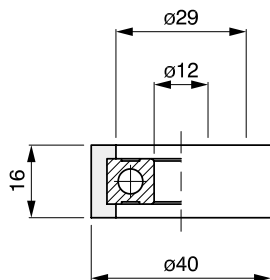


COD.	D	d	H
045.0100	20	8	10
045.0101	28	8	10
045.0102	30	8	10

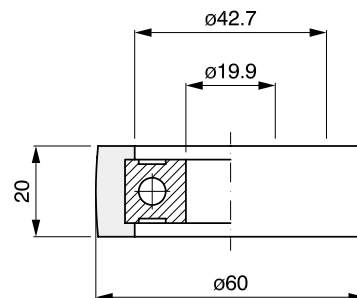
045.0300



054.0001



054.0002



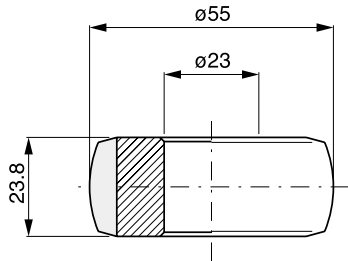
FILLERS

SOUTIREUSES

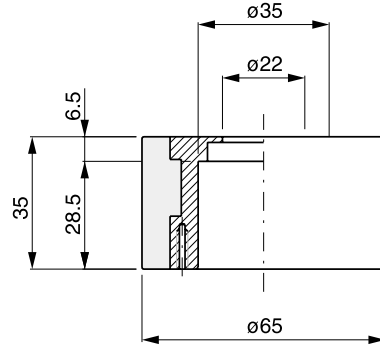
FUELLMASCHINEN

LLENADORAS

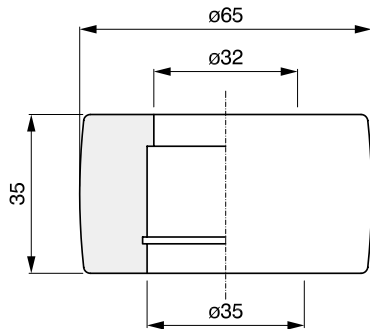
053.0001



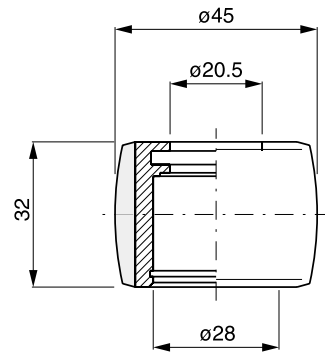
053.0002.072



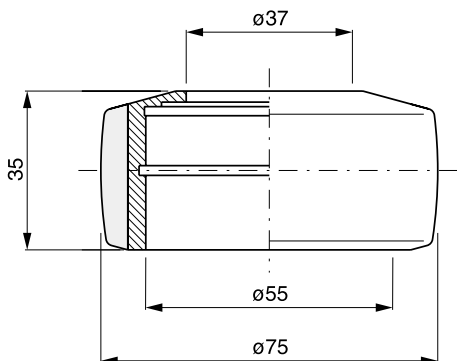
053.0002.133



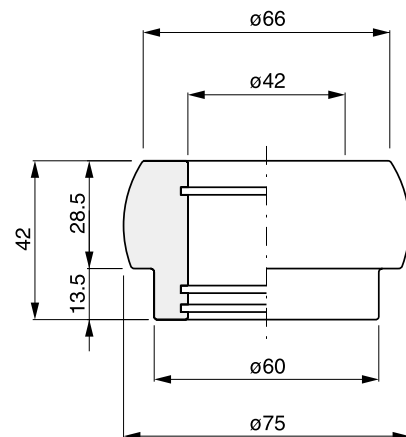
053.0005



053.0006



053.0038



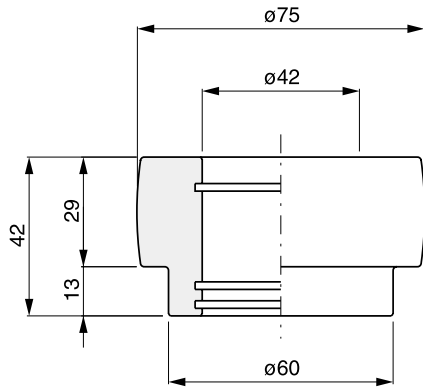
FILLERS

SOUTIREUSES

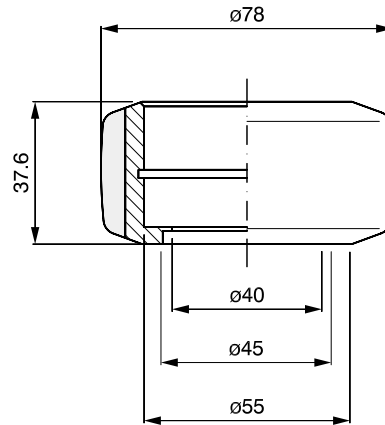
FUELLMASCHINEN

LLENADORAS

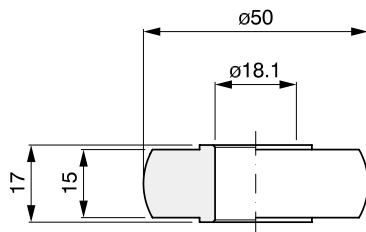
053.0039



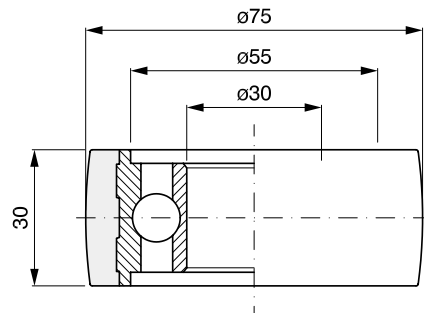
053.0050



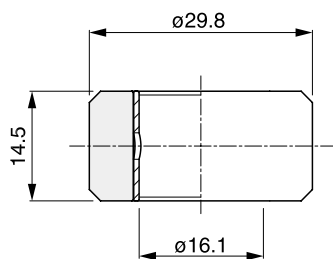
053.0056



053.0058



053.0059





Sigla ASTM	Materiale	Durezza SH - A	Colore	Resistenza alla lacerazione	Resistenza all'usura	Capacità di presa	Resistenza agli olii
Symbol ASTM	Material	Hardness SH - A	Colour	Tearing Strength	Wear-resistance	Grip	Oil resistance
Indicativ ASTM	Matériel	Dureté SH - A	Couleur	Résistance aux coupures	Résistance à usure	Capacité de prise	Résistance aux huiles
Bezeichn. ASTM	Material	Härte SH - A	Farbe	Reissfestigkeit	Verschleissfestigkeit	Haltefähigkeit	Ölbeständigkeit
Sigla ASTM	Material	Dureza SH - A	Color	Resistencia al desgarro	Resistencia al desgaste	Capacidad de toma de corriente	Resistencia a los aceites
NR	Gomma naturale Natural rubber Caoutchouc naturel Naturkautschuk Goma natural	60 ±5	Nero Black Noir Schwarz Negro	buona good bonne gut bueno	buona good bonne gut bueno	ottima very good très bonne sehr gut optimo	insufficiente insufficient insuffisant ungenügend insuficiente
NR	Gomma naturale Natural rubber Caoutchouc naturel Naturkautschuk Goma natural	70 ±5	Nero Black Noir Schwarz Negro	buona good bonne gut bueno	buona good bonne gut bueno	buona good bonne gut bueno	insufficiente insufficient insuffisant ungenügend insuficiente
TPU	Poliuretano Polyurethane Polyuréthane Polyurethan Poliuretano	75 ±5	Trasparente Transparent Transparent Transparent Transparente	eccellente excellent excellent ausgezeichnet gut	eccellente excellent excellent ausgezeichnet gut	ottima very good très bonne sehr gut optimo	buona good bonne gut bueno
PUR	Poliuretano-Vulkollan Polyurethane-Vulkollan Polyuréthane-Vulkollan Polyurethan-Vulkollan Poliuretano-Vulkollan	70 ±5	Marrone Brown Marron Braun Marron	eccellente excellent excellent ausgezeichnet excelente	eccellente excellent excellent ausgezeichnet excelente	eccellente excellent excellent ausgezeichnet excelente	buona good bonne ungenügend bueno

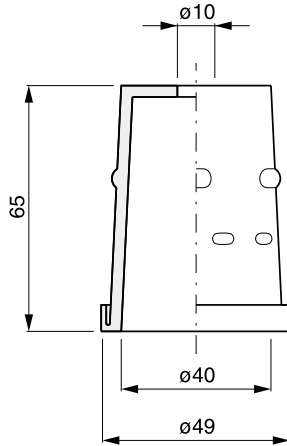
GRABS

MEMBRANES

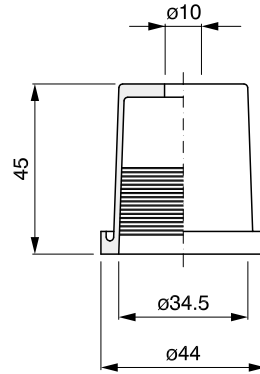
PACKTULPEN

MEMBRANAS

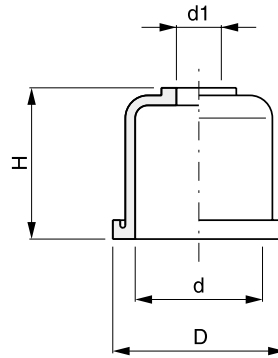
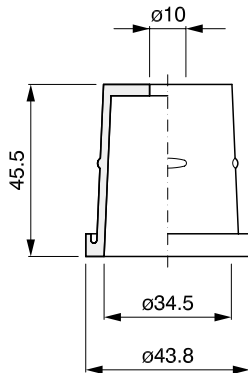
040.0001



040.0002

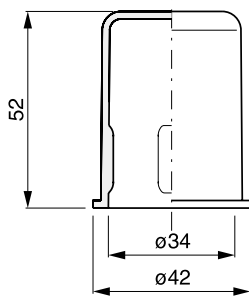


040.0003

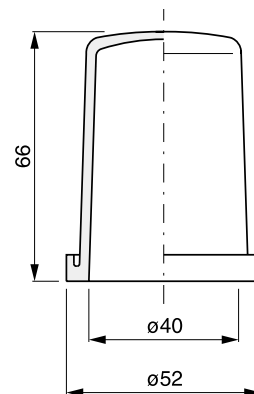


COD.	D	d	d1	H
040.0004	45	39	12	39
040.0026	45	35	12	44

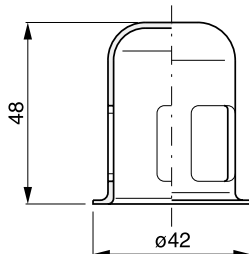
040.0005



040.0006



030.0001



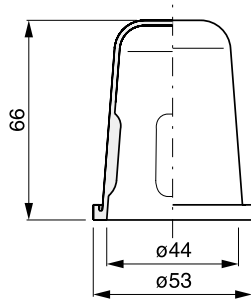
GRABS

MEMBRANES

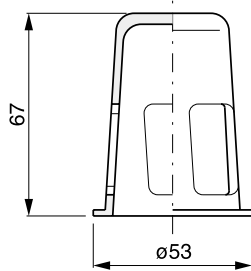
PACKTULPEN

MEMBRANAS

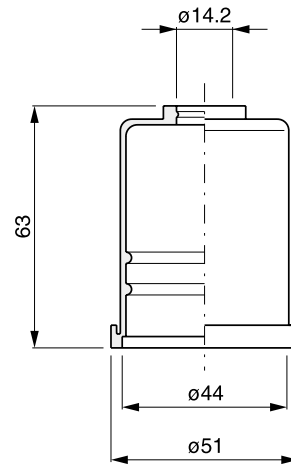
040.0007



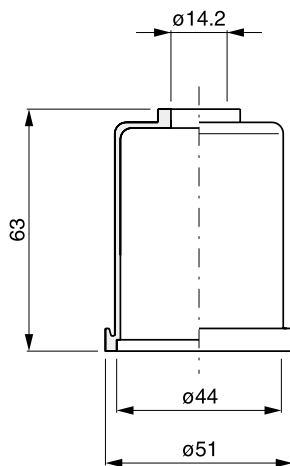
030.0003



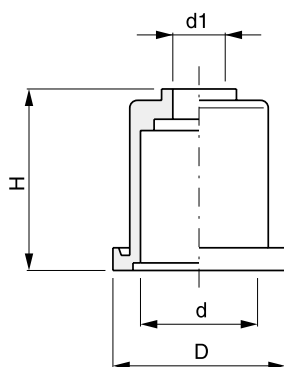
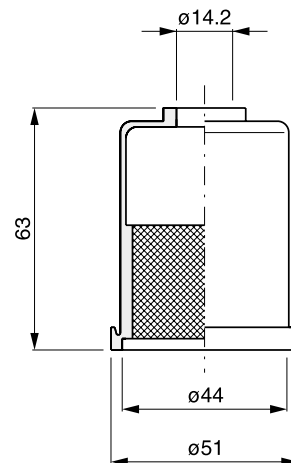
040.0009



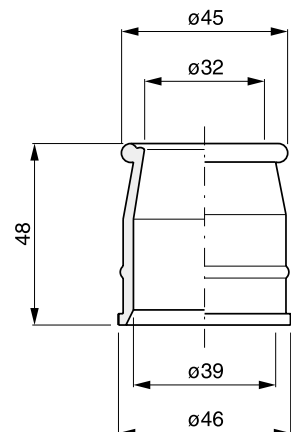
040.00091



040.00092



040.0012



COD.	D	d	d1	H
040.0011	40	31	14	35
040.0010	46	33	14	49
040.0086	47	36	14	47

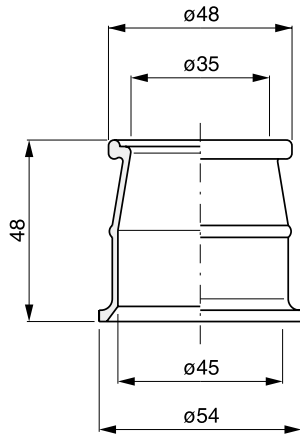
GRABS

MEMBRANES

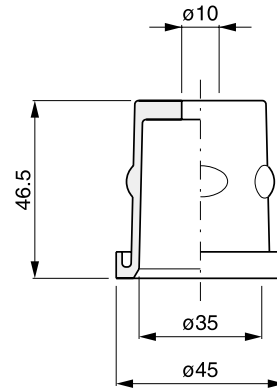
PACKTULPEN

MEMBRANAS

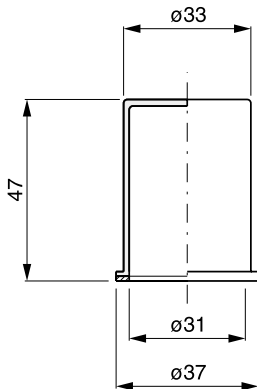
040.0013



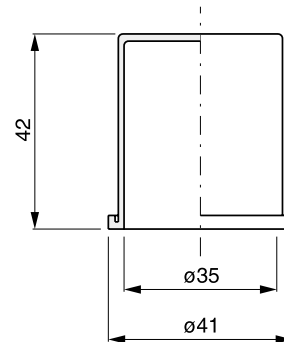
040.0014



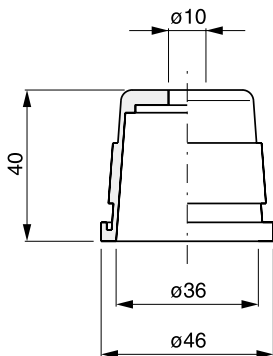
040.0015



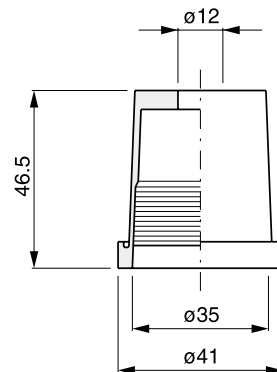
040.0016



040.0017



040.0018



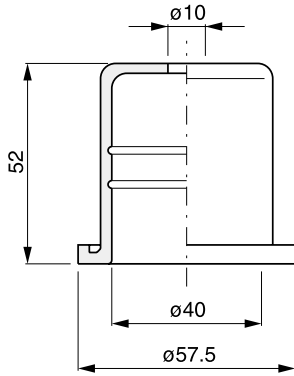
GRABS

MEMBRANES

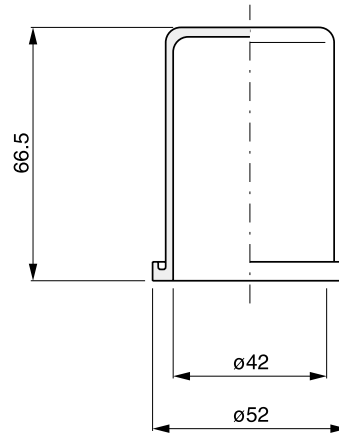
PACKTULPEN

MEMBRANAS

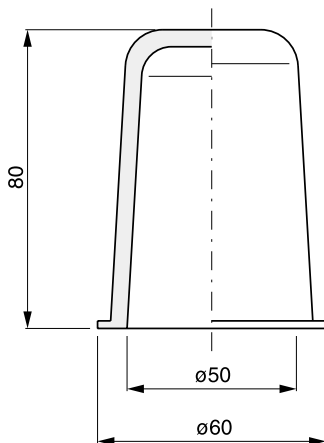
040.0019



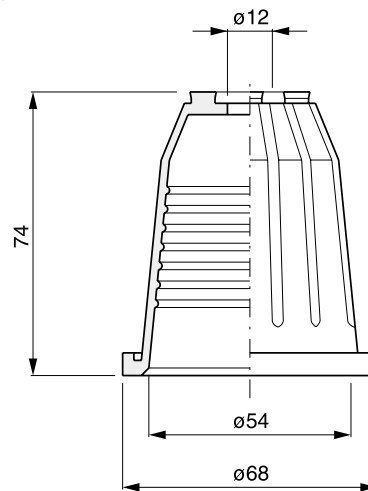
040.0020



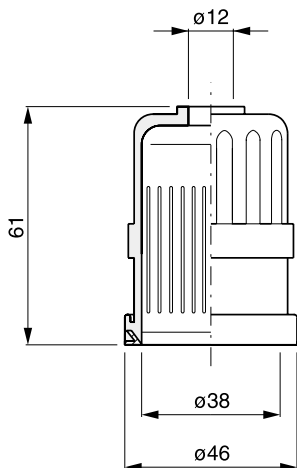
040.0021



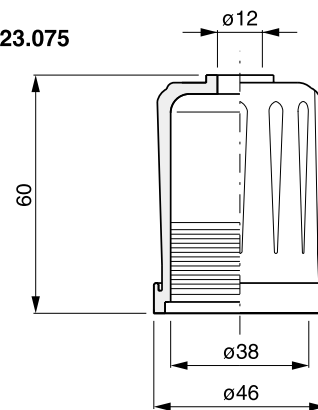
040.0022



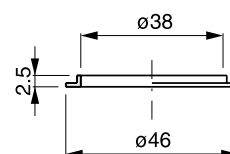
040.0023.002



040.0023.075



032.0407



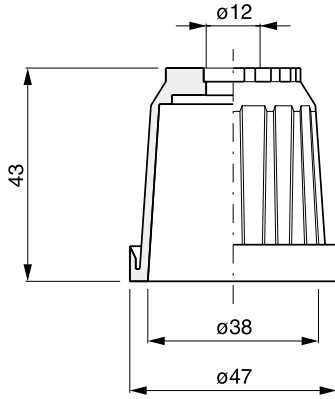
GRABS

MEMBRANES

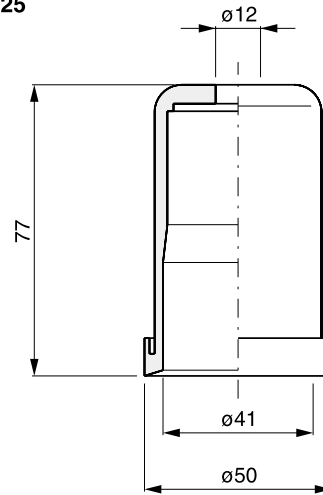
PACKTULPEN

MEMBRANAS

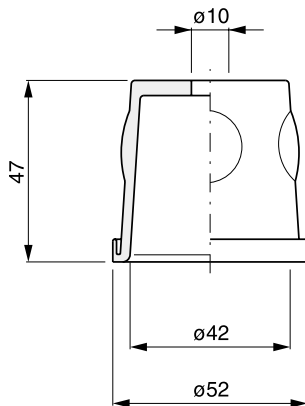
040.0024



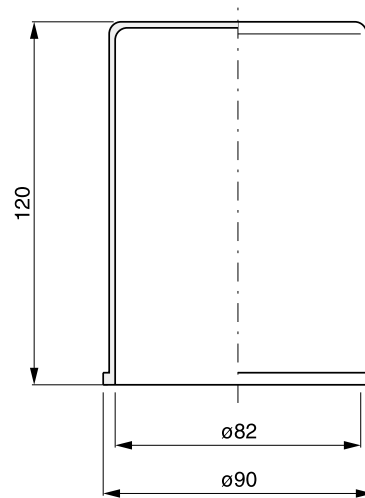
040.0025



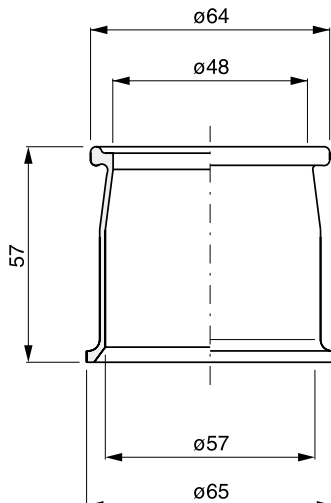
040.0027



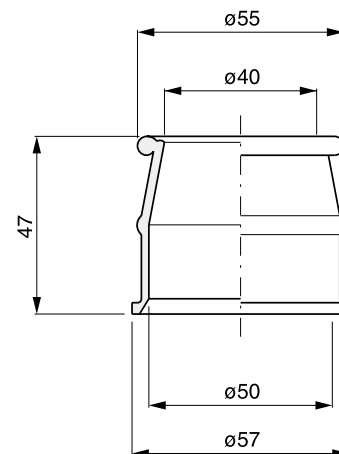
040.0028



040.0029



040.0030



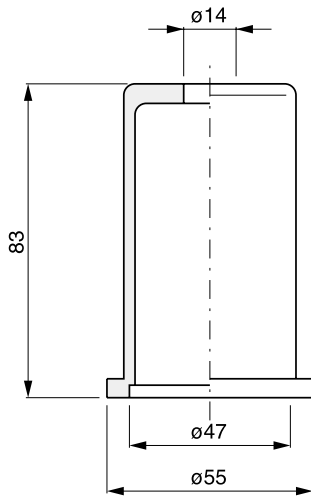
GRABS

MEMBRANES

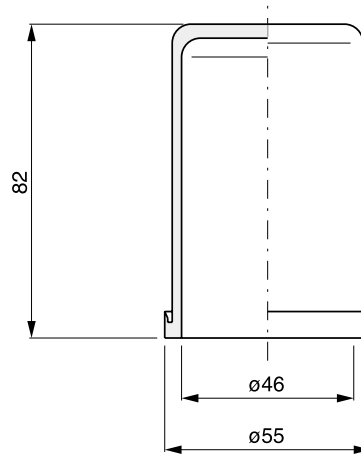
PACKTULPEN

MEMBRANAS

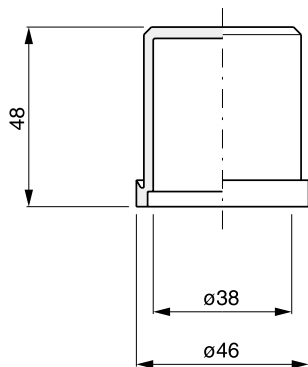
040.0031



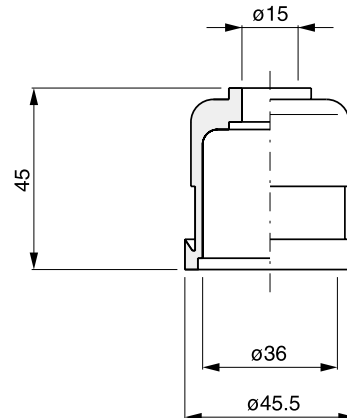
040.0032



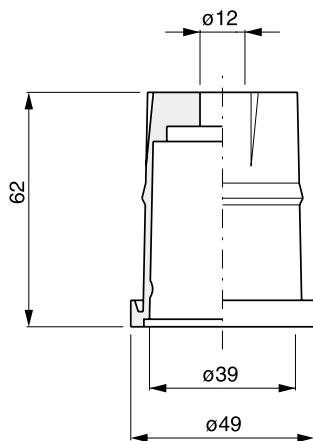
040.0033



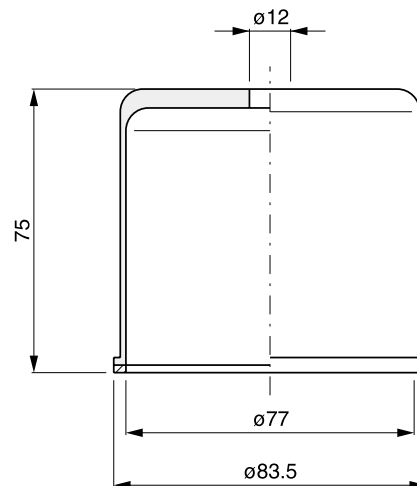
040.0034



040.0035



040.0036



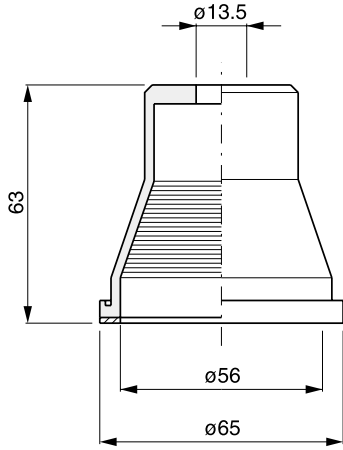
GRABS

MEMBRANES

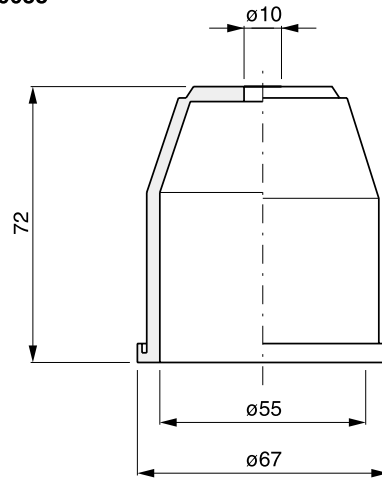
PACKTULPEN

MEMBRANAS

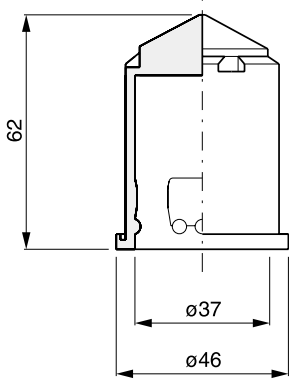
040.0037



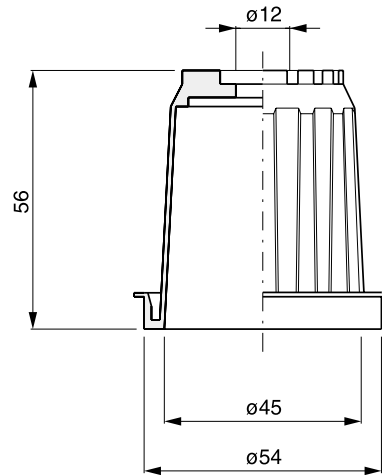
040.0038



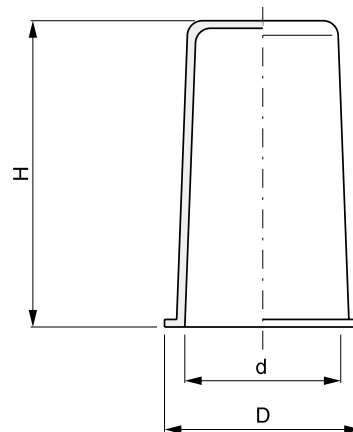
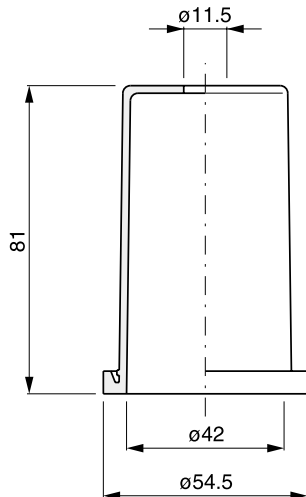
040.0039



040.0040



040.0041



COD.	D	d	H
040.0042	46.5	38	63
040.0043	53	42	81

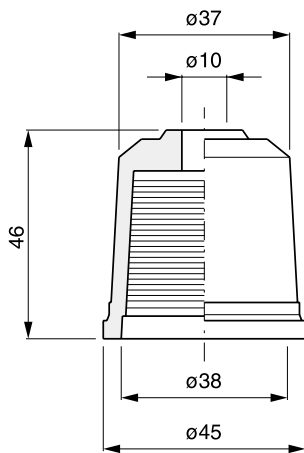
GRABS

MEMBRANES

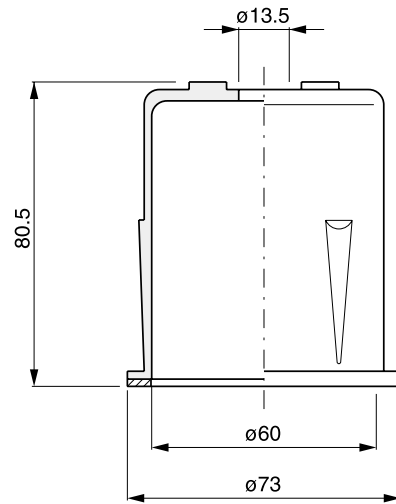
PACKTULPEN

MEMBRANAS

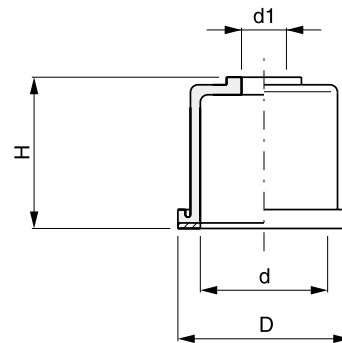
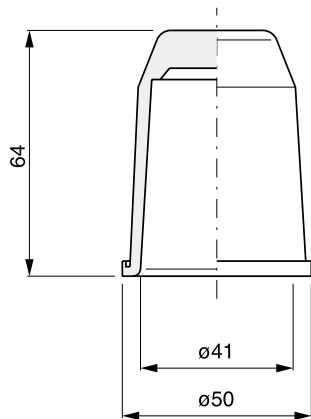
040.0044



040.0045

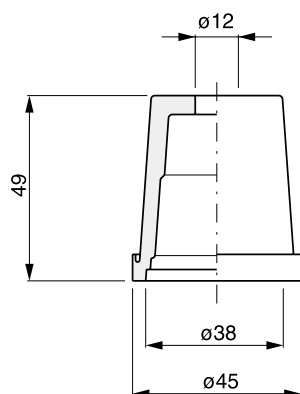


040.0046

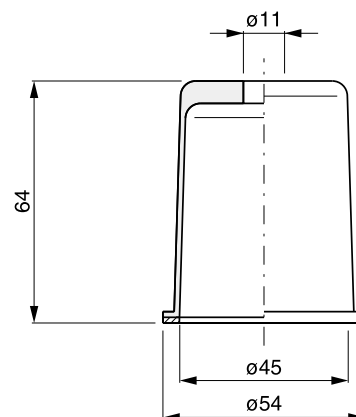


COD.	D	d	d1	H
040.0047	28	22	10	30
040.0048	37.5	27	14	30

040.0049



040.0050.002



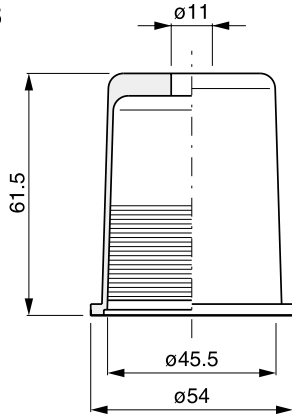
GRABS

MEMBRANES

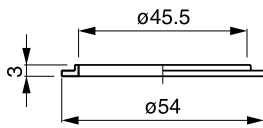
PACKTULPEN

MEMBRANAS

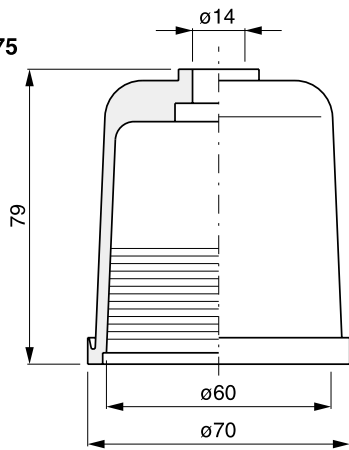
040.0050.075



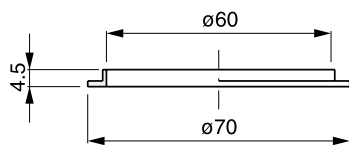
032.0403



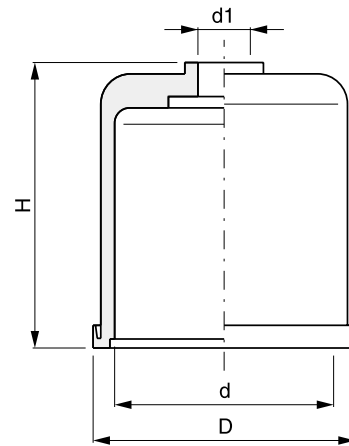
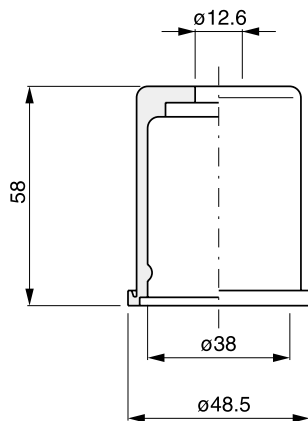
040.0051.075



032.0400

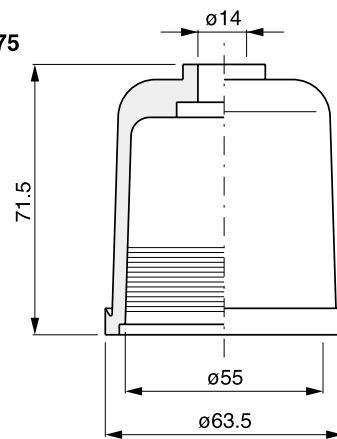


040.0054



COD.	D	d	d1	H
040.0052.002	63	53	14	71
040.0051.002	72	60	14	78

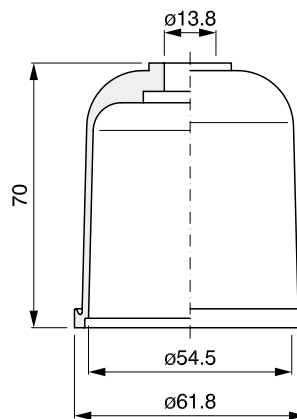
040.0052.075



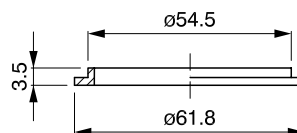
032.0401



040.0055



032.0406



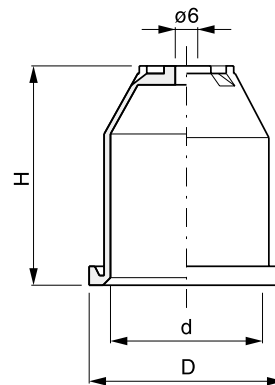
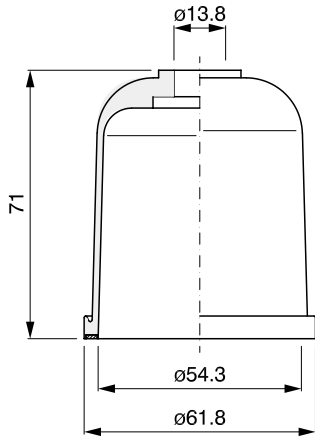
GRABS

MEMBRANES

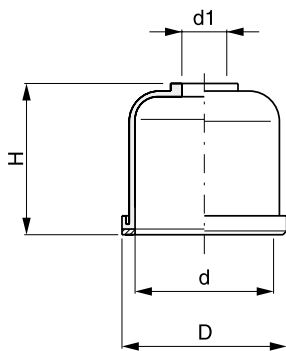
PACKTULPEN

MEMBRANAS

040.00551

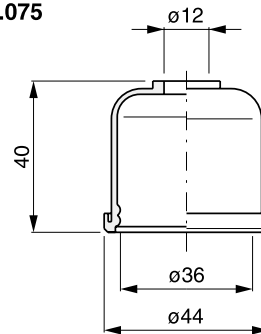


COD.	D	d	H
040.0121	43	35	58
040.0053	52	43	58

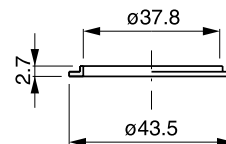


COD.	D	d	d1	H
040.0129	43	37	13	39
040.0056	44	37	12	40

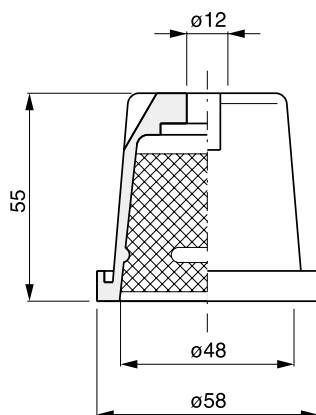
040.0056.075



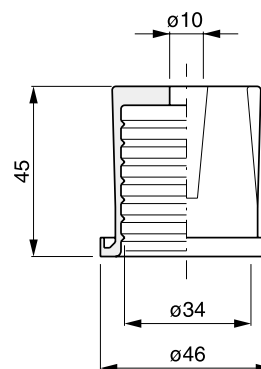
032.0409



040.0057



040.0058



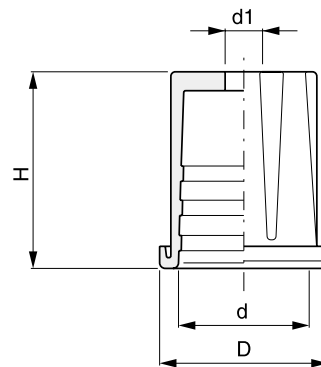
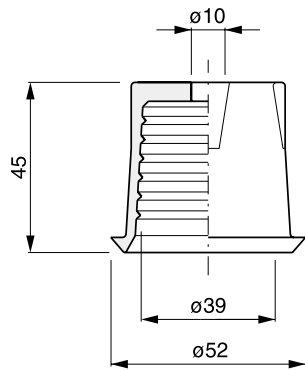
GRABS

MEMBRANES

PACKTULPEN

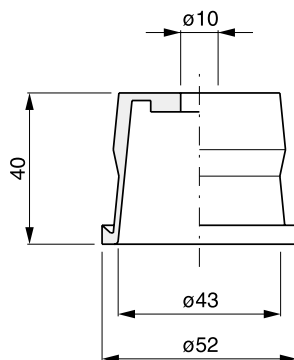
MEMBRANAS

040.0059

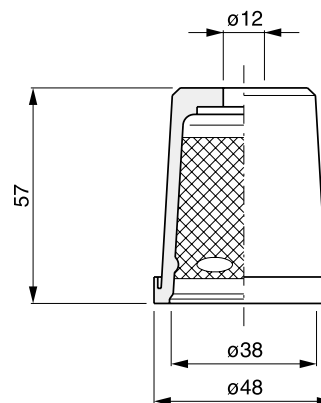


COD.	D	d	d1	H
040.0060	45	35	10	50
040.0098	53	42	10	47

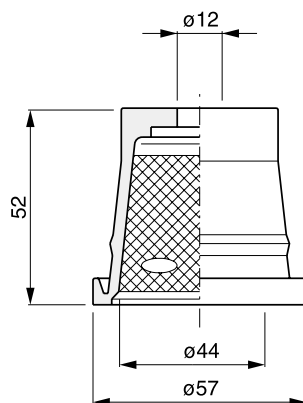
040.0061



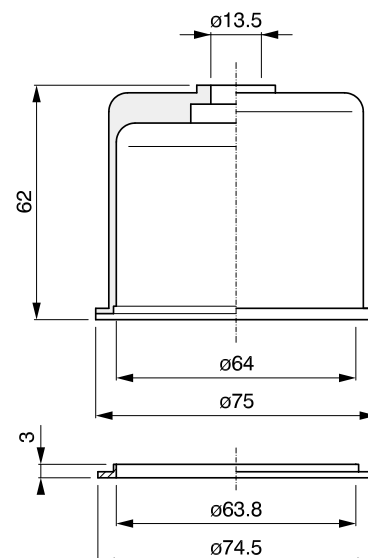
040.0062



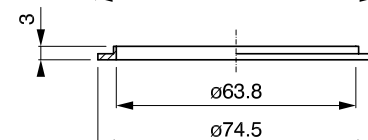
040.0063



040.00641



032.0417



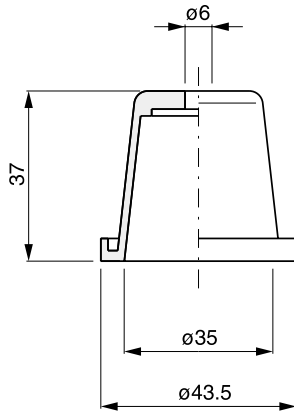
GRABS

MEMBRANES

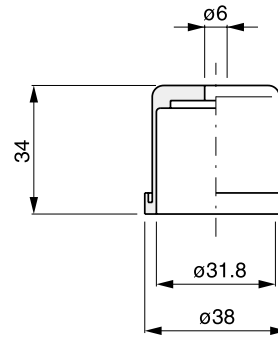
PACKTULPEN

MEMBRANAS

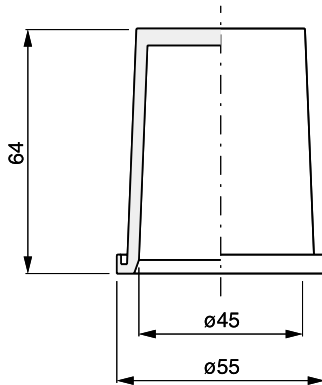
040.0065



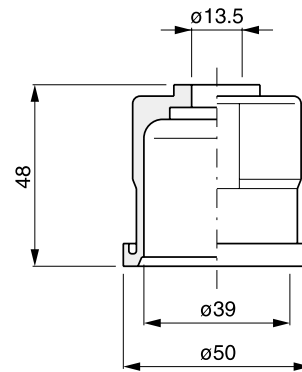
040.0066



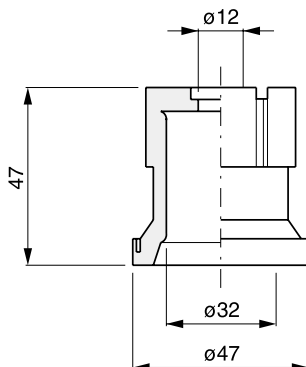
040.0067



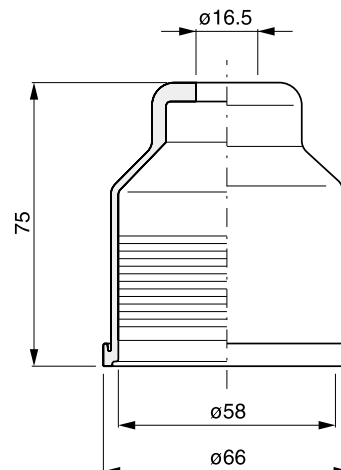
040.0068



040.0069



040.00711

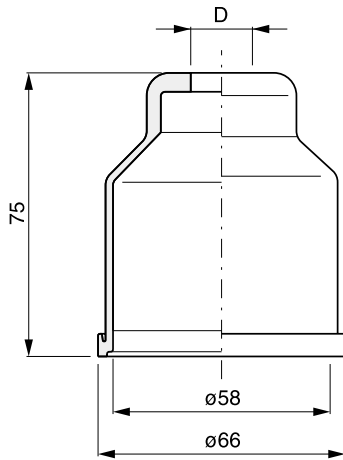


GRABS

MEMBRANES

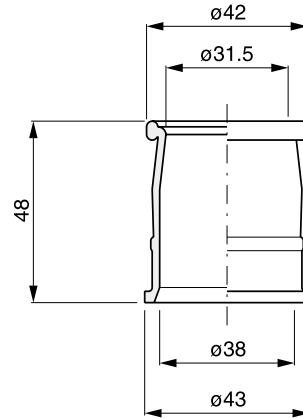
PACKTULPEN

MEMBRANAS

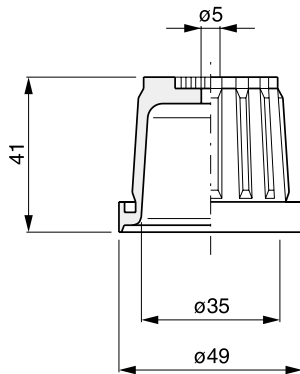


COD.	D
040.0122	10.5
040.0071	16.5

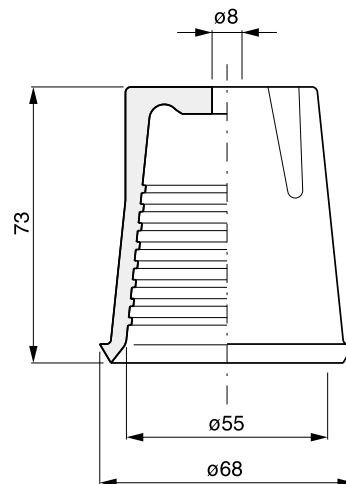
040.0070



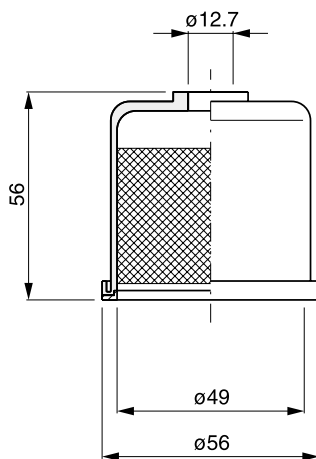
040.0072



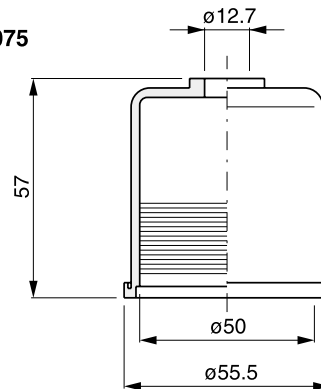
040.0073



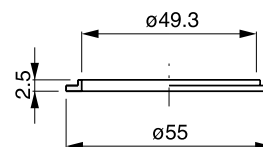
040.0074.002



040.0074.075



032.0410



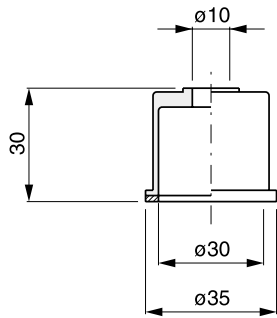
GRABS

MEMBRANES

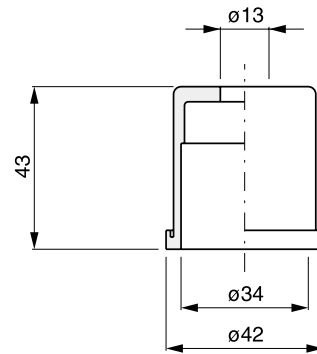
PACKTULPEN

MEMBRANAS

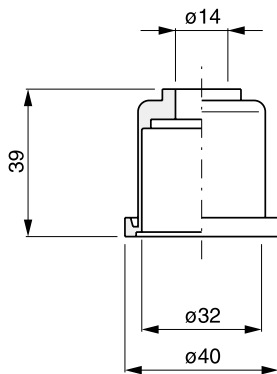
040.0075



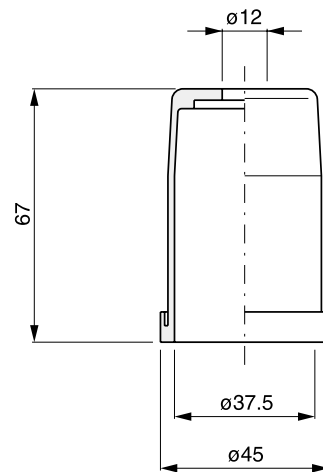
040.0076



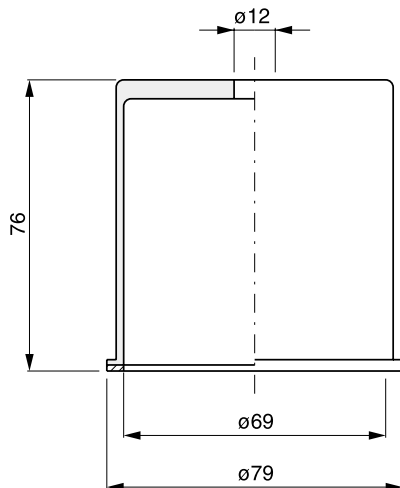
040.0077



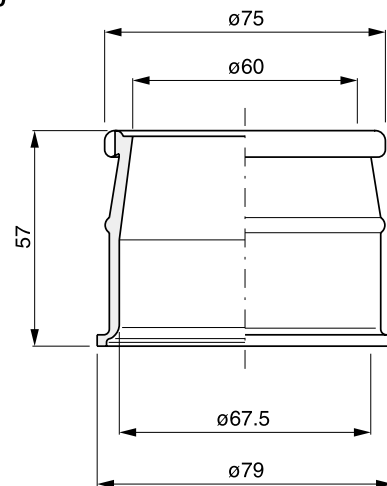
040.0078



040.0079



040.0080



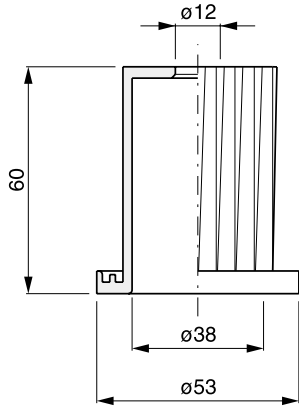
GRABS

MEMBRANES

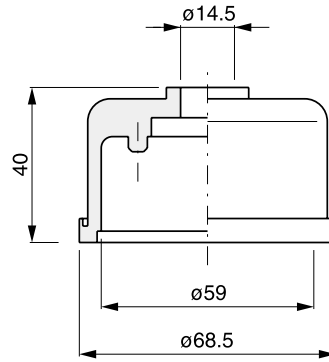
PACKTULPEN

MEMBRANAS

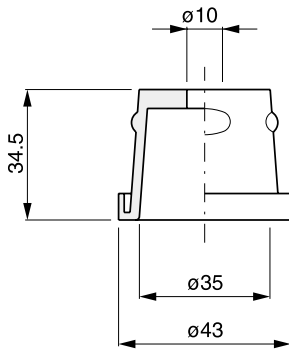
040.0081



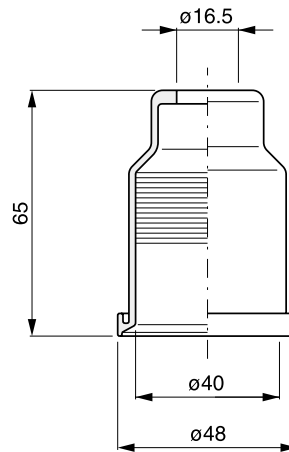
040.0082



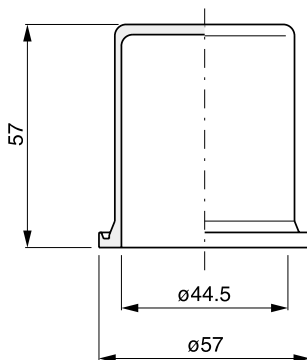
040.0083



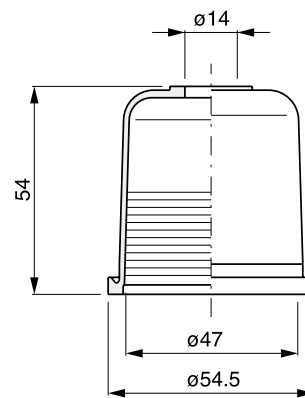
040.0084



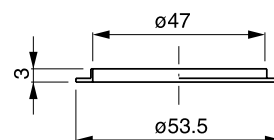
040.0085



040.0088.075



032.0403



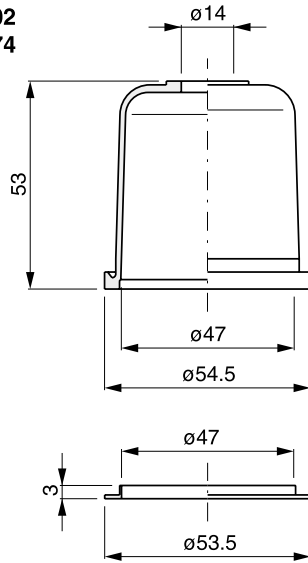
GRABS

MEMBRANES

PACKTULPEN

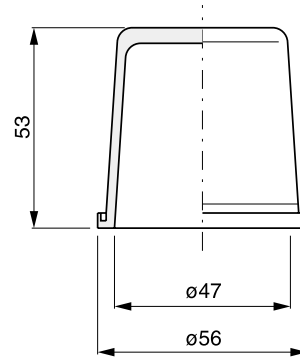
MEMBRANAS

040.0088.002
040.0088.074

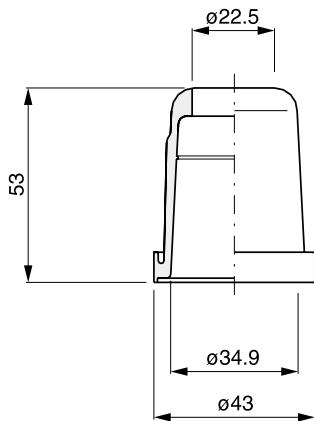


032.0403

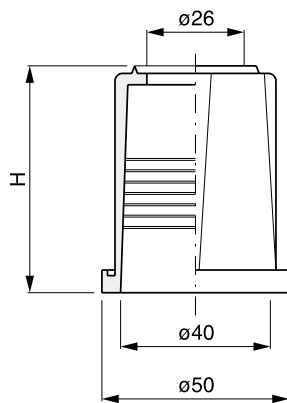
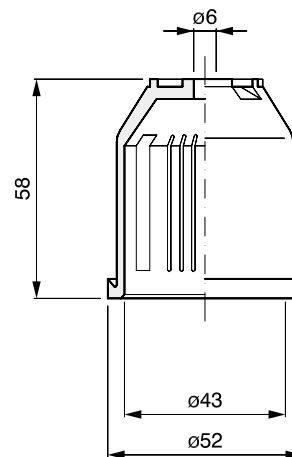
040.0087



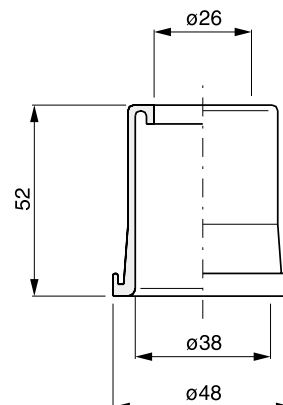
040.0089



040.0090



040.0092



COD.	H
040.0091	51
040.0100	61

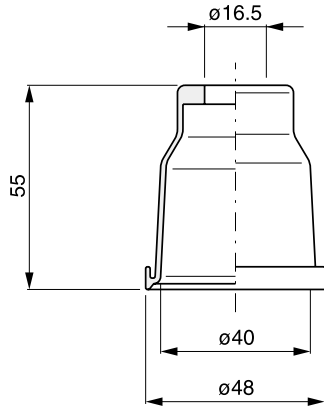
GRABS

MEMBRANES

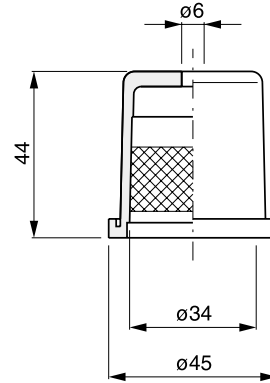
PACKTULPEN

MEMBRANAS

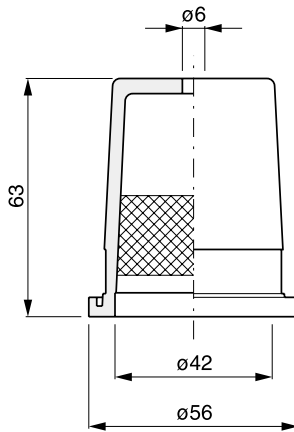
040.0093



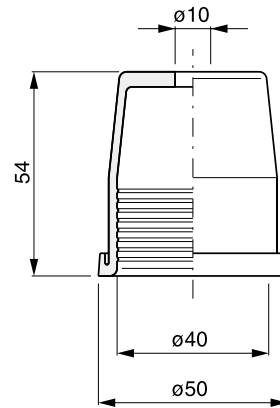
040.0094



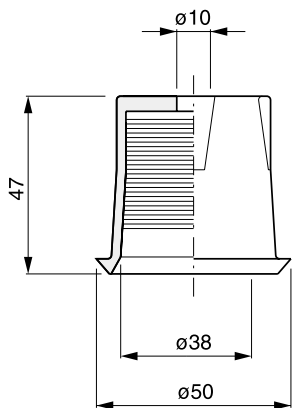
040.0095



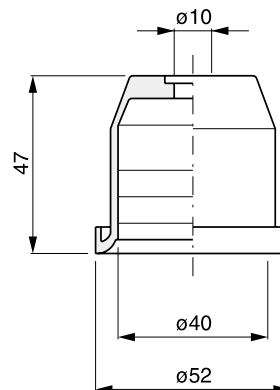
040.0096



040.0097



040.0099



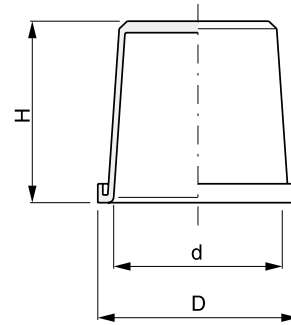
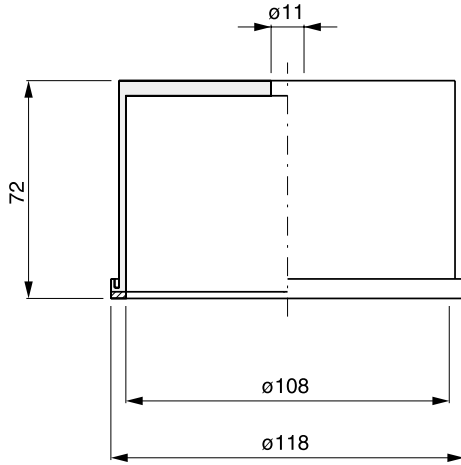
GRABS

MEMBRANES

PACKTULPEN

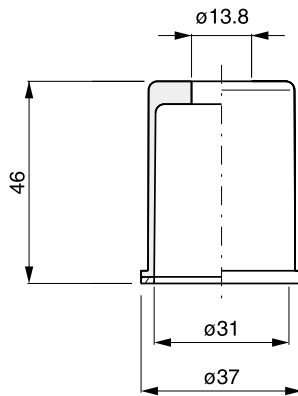
MEMBRANAS

040.0101

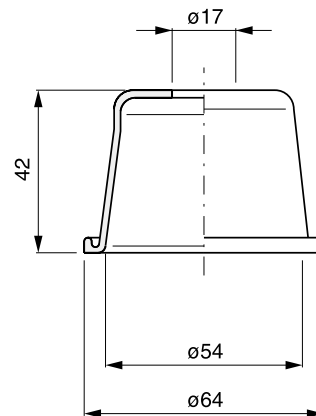


COD.	D	d	H
040.0103	45	37	45
040.0102	53.5	42	48

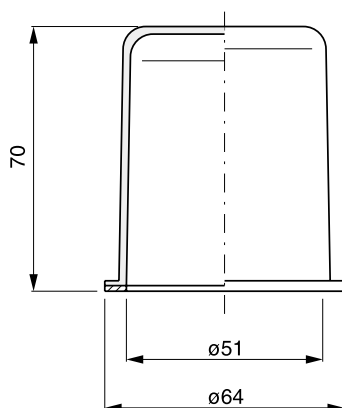
040.0105



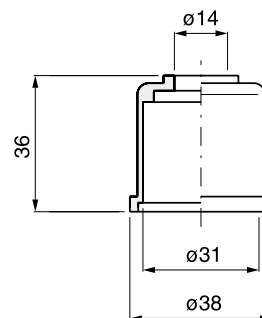
040.0109



040.0110



040.0117



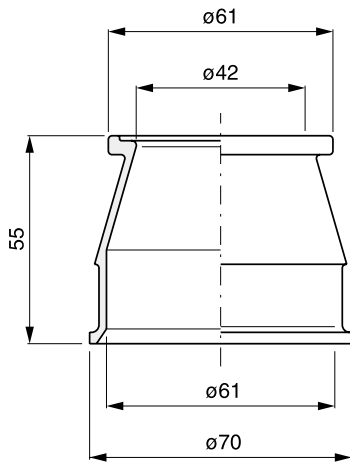
GRABS

MEMBRANES

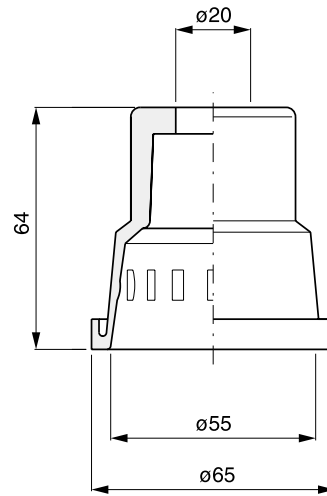
PACKTULPEN

MEMBRANAS

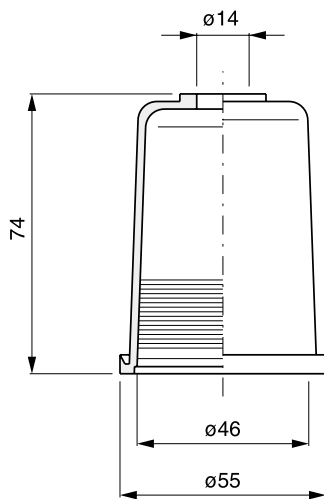
040.0119



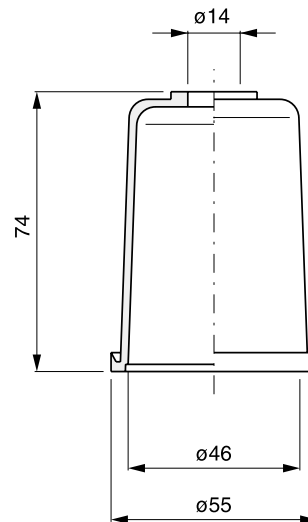
040.0123



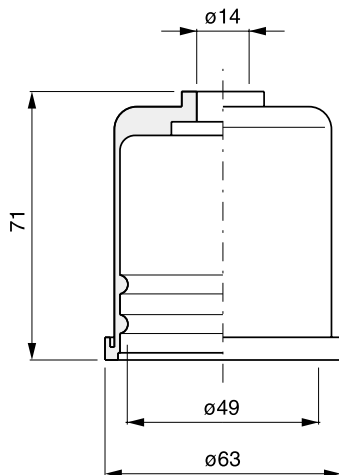
040.0124



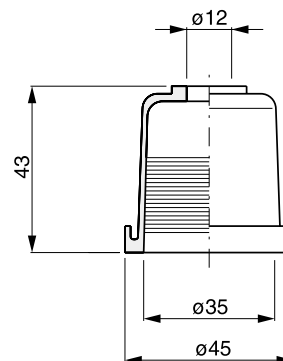
040.01241



040.0125



040.0131



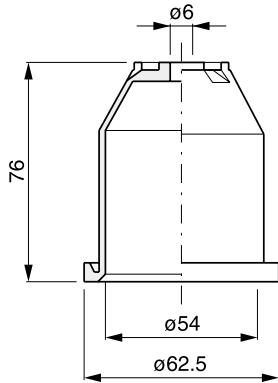
GRABS

MEMBRANES

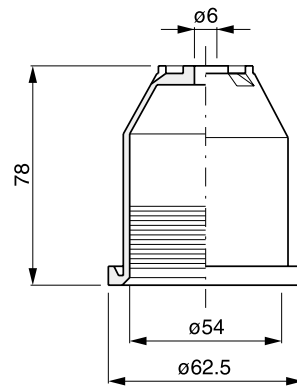
PACKTULPEN

MEMBRANAS

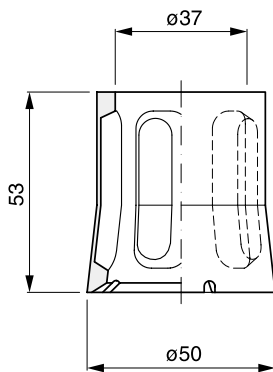
040.0120.075



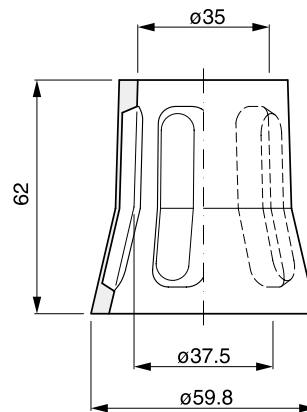
040.0130.075



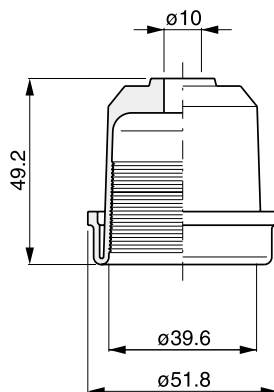
040.0127



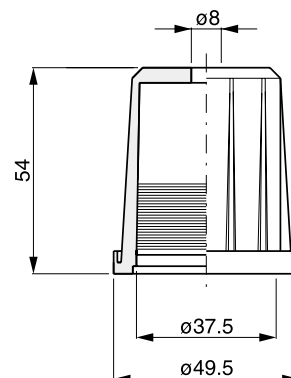
040.0134



040.0136



040.0137



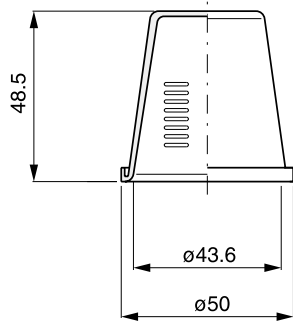
GRABS

MEMBRANES

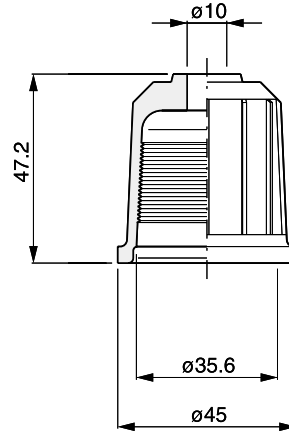
PACKTULPEN

MEMBRANAS

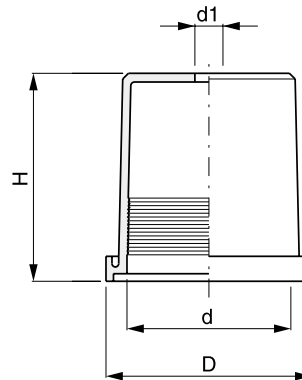
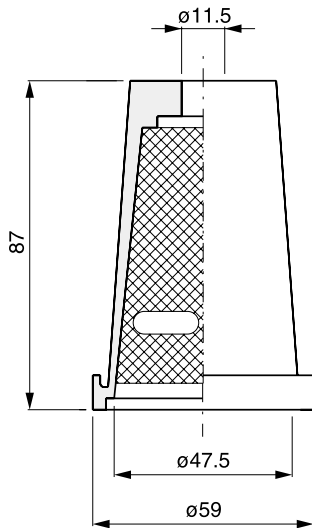
040.0139



040.0140

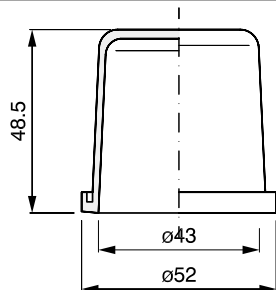


040.0141

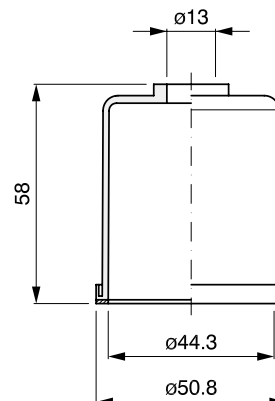


COD.	D	d	d1	H
040.0145	49.5	37.5	7	56
040.0144	55	44	7.5	55

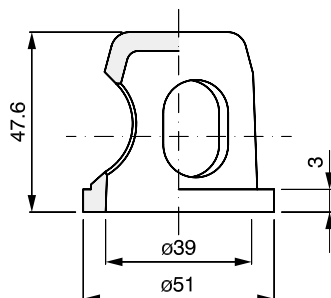
040.0147



040.0148



030.0023



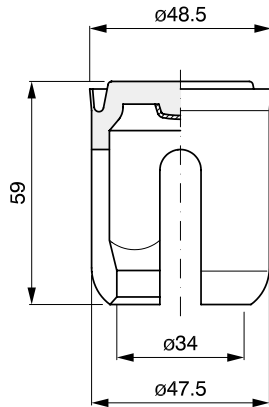
GRABS

MEMBRANES

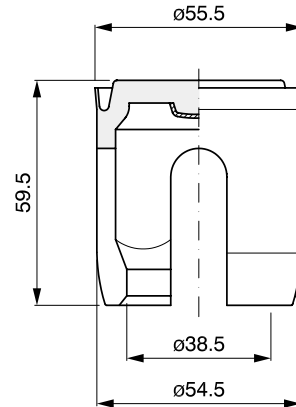
PACKTULPEN

MEMBRANAS

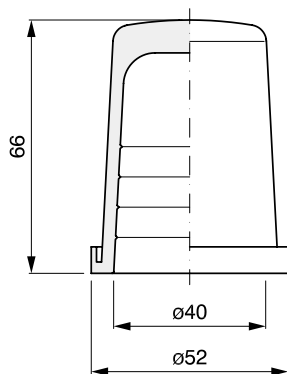
040.0135



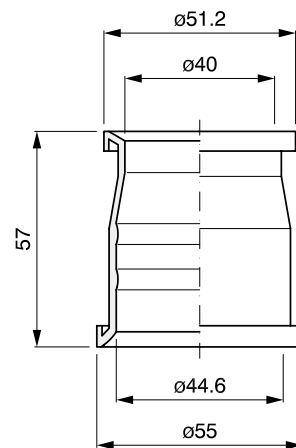
040.0149



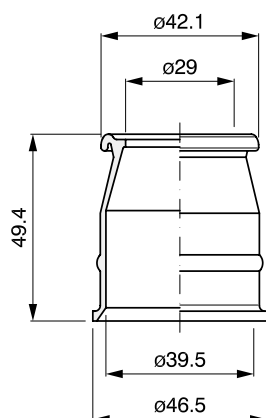
040.0150



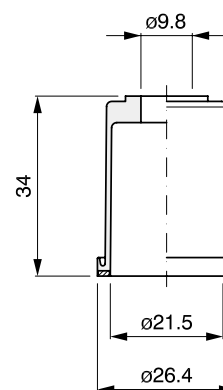
040.0151



040.0152



040.0153



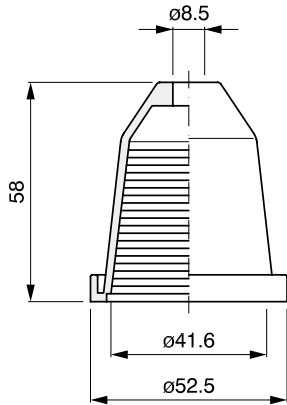
GRABS

MEMBRANES

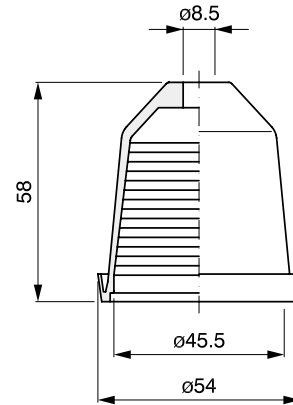
PACKTULPEN

MEMBRANAS

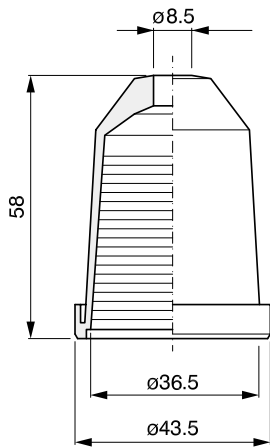
040.0154



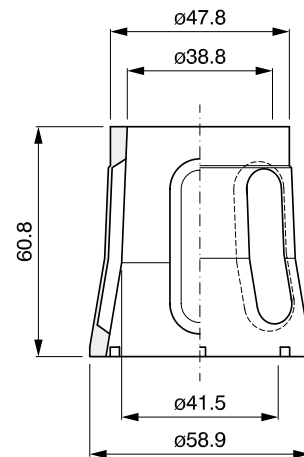
040.0155



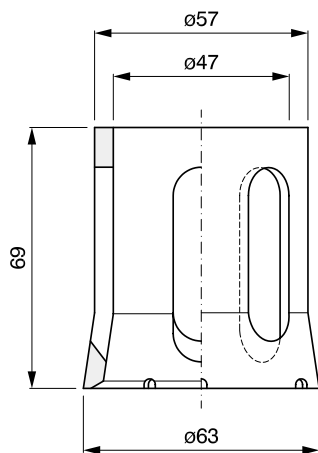
040.0157



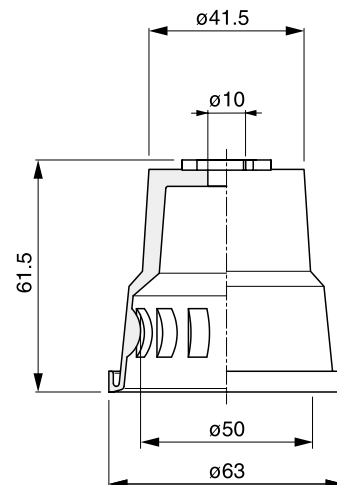
040.0158



040.0159



040.0160



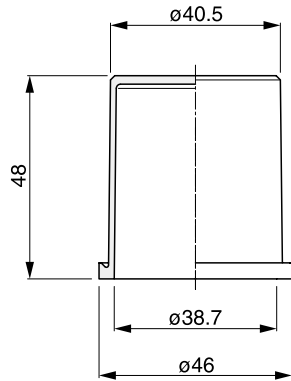
GRABS

MEMBRANES

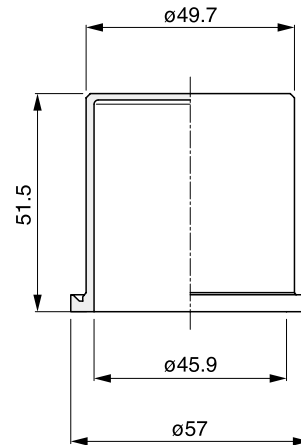
PACKTULPEN

MEMBRANAS

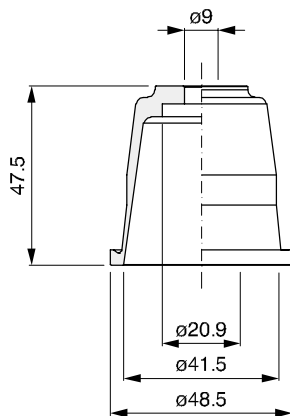
040.0161



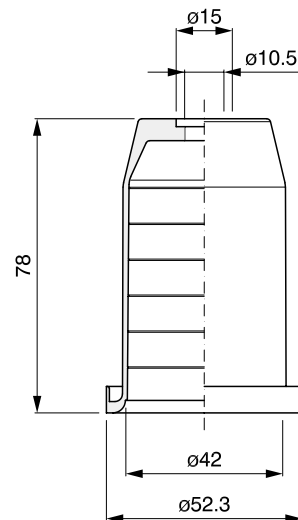
040.0162



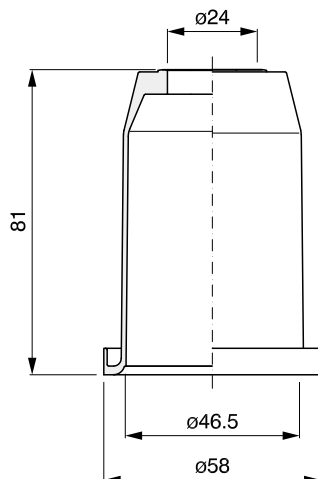
040.0163



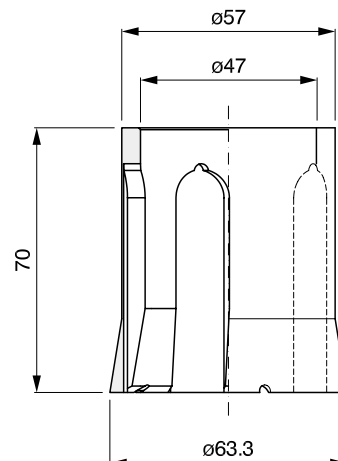
040.0164



040.0165



040.0167





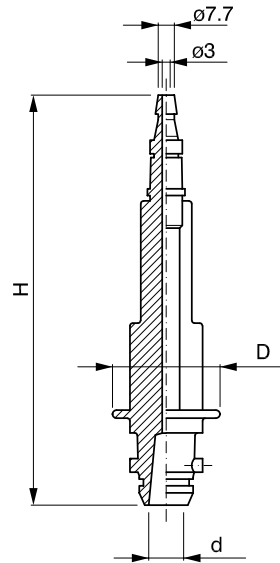
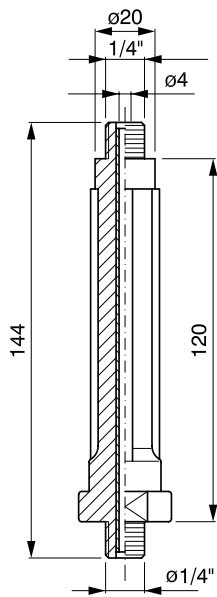
TUBES

TUBES

STAEBE

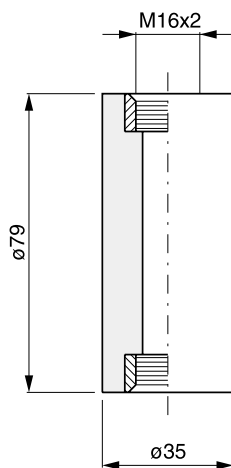
TUBOS

028.0001.130

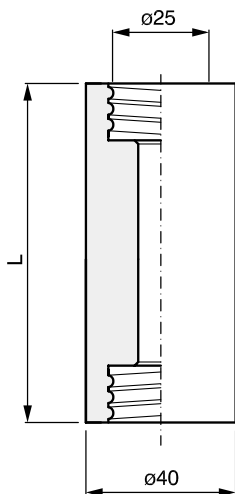
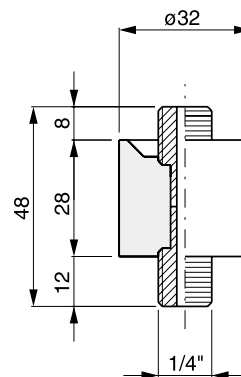


COD.	D	d	H
028.0010	40	13	153
028.0047	43,8	13,7	150

028.0013

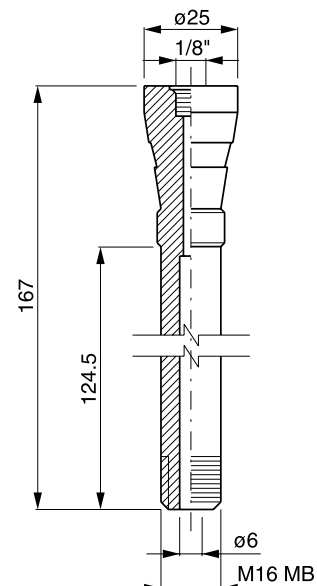


028.0014



COD.	L
028.0015	150
028.0016	70
028.0017	36

028.0027



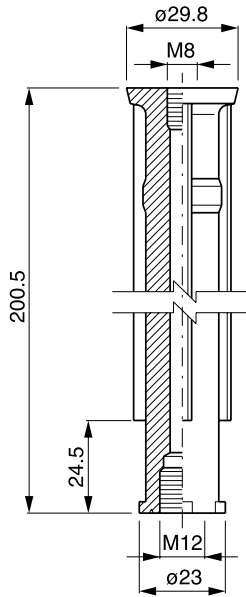
TUBES

TUBES

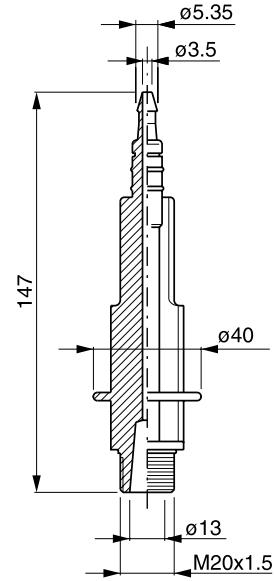
STAEBE

TUBOS

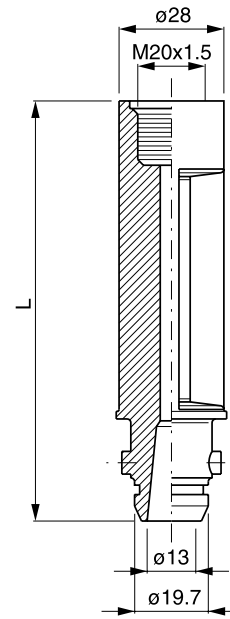
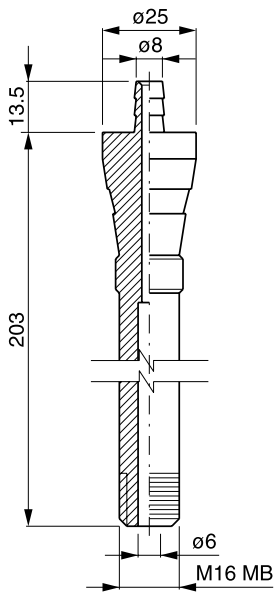
028.0032



028.0037

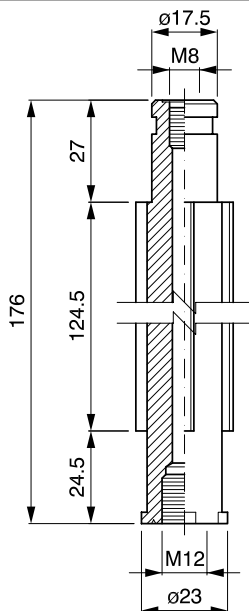


028.0038

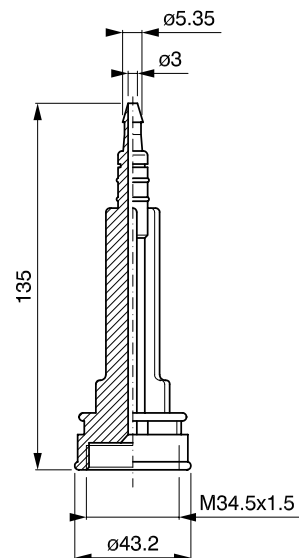


COD.	L
028.0035	77
028.0036	116.5

028.0044



028.0048

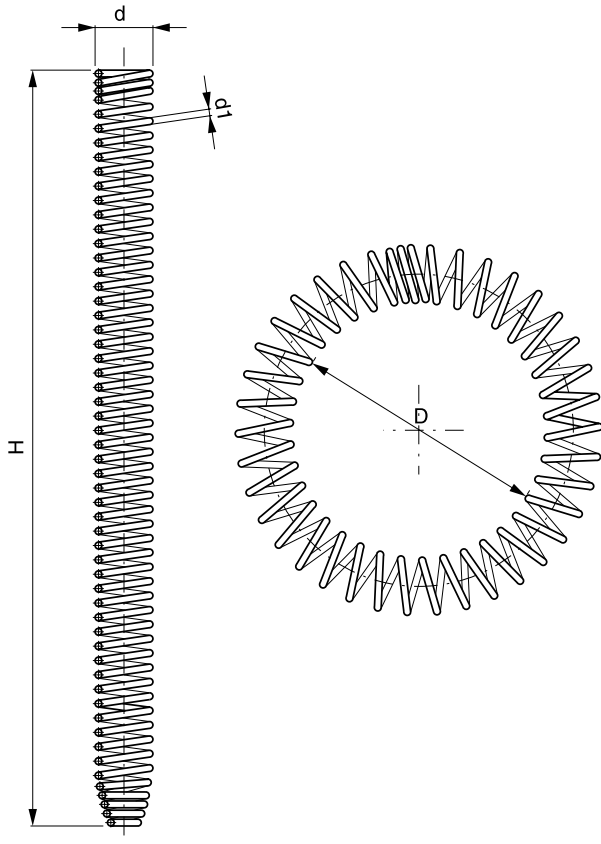


SPRINGS

RESSORTS

FEDERN

MUELLES



COD.	D	d	d1	H
029.0005	34	6	1	125
029.0004	35	7	1	137
029.0012	39	12	1.2	167
029.0003	45	9.9	1.2	177
029.0006	46	9.8	1.1	188
029.0016	46	9.1	1.2	185

	TUBETTO TUBE TUBE LEITUNG TUBO										MOLLA “INOX” STAINLESS STEEL “SPRING” RESSORT « INOX » EDELSTAHLFEDER MUELLE “INOX”			
	Misure - Measures Mesures - Maße - Medidas										Materiale Material Materiel Werkstoff Material	Misure - Measures Mesures - Maße - Medidas		
	H	D	d	d1	d2	d3	d4	h	COD.			H	De	d Filo Thread Fil Draht Hilo
COD.	H	D	d	d1	d2	d3	d4	h		COD.	H	De	d	
028.0001.105	118	20	1/4"	1/4"			6	11	AL	====>>	029.0001.110	140	29,4	2,2
											029.0002.110	140	29,5	3,0
028.0001.130	120	24	1/4"	1/4"			4	12	PA	====>>	029.0001.110	140	29,4	2,2
											029.0002.110	140	29,4	3,0
028.0002.105	230	20	1/4"	1/4"			6	11	AL	====>>	029.0013.110	245	28,2	2,2
											029.0014.110	245	29,5	3,0
028.0003.105	119	20	1/4"		3/8"		6	12	AL	====>>	029.0001.110	140	29,4	2,2
028.0004.105	101	20	1/4"	1/4"			6	12	AL	====>>	029.0038.110	80	29,5	3,0
028.0005.105	118	20	1/4"		10MA		6	12	AL	====>>	029.0001.110	140	29,4	2,2
028.0006.105	120	20	16MA	1/4"			6	12	AL	====>>	029.0001.110	140	29,4	2,2
028.0007.105	84	20		1/4"	10MA		6	12	AL	====>>	029.0018.110	97	30	2,2
028.0008.105	120	20		1/4"	12MA		6	12	AL	====>>	029.0001.110	140	29,4	2,2
028.0009.105	119	20		1/4"	1/4"		6	12	AL	====>>	029.0001.110	140	29,4	2,2
028.0010.136	152	27,5					3		PA	====>>	029.0008.110	128	35	2,0
028.00101.136	152	27,5					3		PA	====>>	029.0008.110	128	35	2,0
028.0011.105	121	25	M24	M18	1/4"		6	18	AL	====>>	029.0009.110	150	38,4	2,4
028.0019.105	118	20	1/4"	16MB			6	11	AL	====>>	029.0001.110	140	29,4	2,2
028.0020.105	113	20	1/4"	1/4"			6	12	AL	====>>	029.0001.110	140	29,4	2,2
028.0021.105	95	20		1/4"	10MA		6	11	AL	====>>	029.0007.110	115	28	1,5
028.0023.105	155	20	3/8"	1/4"			6	12	AL	====>>	029.0011.110	185	29,4	2,2
028.0024.105	62	20	1/4"	1/4"			6	12	AL	====>>	029.0017.110	60	29,4	2,2
028.0025.105	81	20	1/4"	1/4"			6	11	AL	====>>	029.0018.110	97	30	2,2
028.0026.105	76	20	1/4"	1/4"			6	12	AL	====>>	029.0018.110	97	30	2,2
028.0027.105	167	16	M16MB	1/8"			6	14	AL	====>>	029.0019.110	165	21,5	1,5
028.0027.01.105	190	16	M16MB	1/8"			6	14	AL	====>>	029.0019.110	165	21,5	1,5
028.0028.105	82	20	1/4"	1/4"			6	10	AL	====>>	029.0018.110	97	30	2,2
028.0030.105	92	20		1/4"	3/8"		6	12	AL	====>>	029.0018.110	97	30	2,2
028.0032.130	201	25,5	M8		M12		6,5		PA	====>>	029.0023.110	180	32	1,8
028.0033.105	118	20		1/4"	8MA		6	12	AL	====>>	029.0001.110	140	29,4	2,2
028.0034.105	87	20	1/4"	1/4"			6	12	AL	====>>	029.0018.110	97	30	2,2
028.0037.136	147	27,5		M20X1,5			3,5	13	PA	====>>	029.0008.110	128	35	2,0
028.0038.105	203	16		M16MB			6	11	AL	====>>	029.0019.110	165	21,5	1,5
028.0039.105	118	20	1/4"		8MA		6	12	AL	====>>	029.0001.110	140	29,4	2,2
028.0041.105	146,5	30	M24X1,5			1/8"	5	13	AL	====>>	029.0030.110	78,5	38	2,2
028.0043.105	150	20	1/4"	1/4"			6	12	AL	====>>	029.0011.110	185	29,4	2,2
028.0044.130	176	25,5			M8	M12	6	12	PA	====>>	029.0023.110	180	32	1,8
028.0047.130	150	31					3		PA	====>>	029.0032.110	117	40,5	2,0
028.0048.130	135	36			M34,5X1,5		3	10	PA	====>>	029.0008.110	128	35	2,2
028.0050.105	169	20	1/4"		M12		6	12	AL	====>>	029.0011.110	185	29,4	2,2
028.0051.105	224	20	1/4"	M16X1,5			6	12	AL	====>>	029.0013.110	245	28,2	2,2
028.0052.105	94,3	17,9	1/4"		M12		6	12	AL	====>>	029.0001.110	140	29,4	2,2

	MOLLA "INOX" STAINLESS STEEL "SPRING" RESSORT « INOX » EDELSTAHLFEDER MUELLE "INOX"				TUBETTO TUBE TUBE LEITUNG TUBO								Materiale Material Werkstoff Material
	Misure - Measures Mesures - Maße - Medidas				Misure - Measures Mesures - Maße - Medidas								
	H	De	d Filo Thread Fil Draht Hilo		H	D	d	d1	d2	d3	d4	h	
COD.			COD.										
029.0001.110	140	29,4	2,2	028.0001.130	120	24	1/4"	1/4"			4	12	PA
				028.0001.105	118	20	1/4"	1/4"			6	11	AL
				028.0003.105	119	20	1/4"		3/8"		6	12	AL
				028.0005.105	118	20	1/4"		10MA		6	12	AL
				028.0006.105	120	20	16MA	1/4"			6	12	AL
				028.0008.105	120	20		1/4"	12MA		6	12	AL
				028.0009.105	119	20		1/4"	1/4"		6	12	AL
				028.0019.105	118	20	1/4"	16MB			6	11	AL
				028.0020.105	113	20	1/4"	1/4"			6	12	AL
				028.0033.105	118	20		1/4"	8MA		6	12	AL
028.0039.105	118	20	1/4"		8MA		6	12	AL				
028.0052.105	94,3	17,9	1/4"		M12		6	12	AL				
029.0002.110	140	29,5	3,0	028.0001.130	120	24	1/4"	1/4"			4	12	PA
029.0007.110	115	28	1,5	028.0001.105	118	20	1/4"	1/4"			6	11	AL
029.0008.110	128	35	2,2	028.0021.105	95	20		1/4"	10MA		6	11	AL
				028.0010.136	152	27,5					3		PA
				028.00101.136	152	27,5					3		PA
				028.0037.136	147	27,5		M20X1,5			3,5	13	PA
029.0009.110	150	38,4	2,4	028.0048.130	135	36			M34,5X1,5		3	10	PA
029.0011.110	185	29,4	2,2	028.0011.105	121	25	M24	M18	1/4"		6	18	AL
				028.0023.105	155	20	3/8"	1/4"			6	12	AL
				028.0043.105	150	20	1/4"	1/4"			6	12	AL
029.0013.110	245	28,2	2,2	028.0050.105	169	20	1/4"		M12		6	12	AL
				028.0002.105	230	20	1/4"	1/4"			6	11	AL
029.0014.110	245	29,5	3,0	028.0051.105	224	20	1/4"	M16X1,5			6	12	AL
029.0017.110	60	29,4	2,2	028.0002.105	230	20	1/4"	1/4"			6	11	AL
029.0018.110	97	30	2,2	028.0024.105	62	20	1/4"	1/4"			6	12	AL
				028.0025.105	81	20	1/4"	1/4"			6	11	AL
				028.0026.105	76	20	1/4"	1/4"			6	12	AL
				028.0028.105	82	20	1/4"	1/4"			6	10	AL
				028.0030.105	92	20		1/4"	3/8"		6	12	AL
				028.0034.105	87	20	1/4"	1/4"			6	12	AL
029.0019.110	165	21,5	1,5	028.0007.105	84	20		1/4"	10MA		6	12	AL
				028.0027.105	167	16	M16MB	1/8"			6	14	AL
				028.0027.01.105	190	16	M16MB	1/8"			6	14	AL
				028.0038.105	203	16		M16MB			6	11	AL
029.0023.110	180	32	1,8	028.0032.130	201	25,5	M8		M12		6,5		PA
				028.0044.130	176	25,5			M8	M12	6	12	PA
029.0030.110	78,5	38	2,2	028.0041.105	146,5	30	M24X1,5			1/8"	5	13	AL
029.0032.110	117	40,5	2,0	028.0047.130	150	31					3		PA
029.0038.110	80	29,5	3,0	028.0004.105	101	20	1/4"	1/4"			6	12	AL

1. ORDINI;

Gli ordini pervenuti si intendono validi solo a titolo di prenotazione e non impegnano Orobica PLast-Gom Srl alla consegna, sia parziale che totale. Nell'accettare gli ordini da Voi commissionatoci, le presenti nostre CONDIZIONI GENERALI DI VENDITA, stampate sul verso dei nostri documenti, vengono da Voi integralmente accettate senza nessuna riserva, come esecuzione degli ordini stessi. Per motivi commerciali e amministrativi, non evaderemo ordini di importo netto inferiore a EURO 200,00 per il territorio Italiano e EURO 500,00 o di pari controvalore, negli altri Stati. In deroga a quanto sopra, Orobica PLast-Gom Srl si riserva la facoltà di evadere ordini anche di importo inferiore, purché cumulandoli nel mese commerciale, si raggiunga l'importo minimo fatturabile come sopra. Tuttavia, in casi eccezionali dove non sia possibile raggiungere il minimo fatturabile, previo accordi e valutazione del nostro Ufficio Commerciale (RUC), evaderemo ordini anche di importo inferiore.

2. CONSEGNA;

I termini di consegna sono indicativi e non impegnativi. In nessun caso e per nessun motivo Orobica PLast-Gom Srl, è tenuta a corrispondere qualsiasi indennizzo per eventuali danni diretti e/o indiretti dovuti a ritardi di consegna.

3. IMBALLO;

In mancanza di precise istruzioni descritte negli ordini, l'imballo verrà effettuato in scatole di cartone e/o sacchetti di plastica tipo standard, nel modo ritenuto da Orobica PLast-Gom Srl più idoneo, senza addebiti di costi. Nel caso siano richiesti imballi diversi da come precedentemente descritti (non standard), verranno addebitati al costo.

4. TRASPORTI E SPEDIZIONI;

La merce viene spedita: "E.X.W. FRANCO FABBRICA CREDARO (BG) Italia" e viaggia a rischio e pericolo del committente. In nessun caso e per nessun motivo Orobica PLast-Gom Srl è tenuta a corrispondere qualsiasi indennizzo per eventuali danni diretti e/o indiretti, dovuti a ritardi di consegna o altro. In mancanza di precise istruzioni, le spedizioni verranno effettuate col mezzo ritenuto da Orobica PLast-Gom Srl più opportuno, senza che ciò possa dar luogo a reclami.

5. RESI;

Non si accetta merce di ritorno senza autorizzazione da parte del responsabile del nostro Ufficio Commerciale (RUC). In base agli usi consolidati, non potranno essere prese in considerazione richieste di resi di materiale, la cui consegna risalga a 30 (trenta) giorni prima della richiesta di restituzione, o di materiale fuori dai nostri cataloghi ufficiali.

6. RECLAMI;

Non si accettano reclami di qualsiasi tipo trascorsi 8 (otto) giorni dalla data di ricevimento merce, restando espressamente a carico del committente la verifica della conformità dei pezzi consegnati al momento del ricevimento. Fa fede, a tale scopo, la data del Documento di Trasporto (DDT).

7. PAGAMENTO;

Le modalità di pagamento sono quelle pattuite e riportate in fattura. Trascorse le scadenze convenute, senza ricevere il pagamento, Orobica PLast-Gom Srl sarà automaticamente autorizzata a conteggiare gli interessi di mora, in misura pari al "prime rate ABI" in vigore, maggiorato dell'1% (uno per cento), e a sospendere l'evasione di tutti gli eventuali ordini in corso.

8. FATTURE;

Le fatture si intendono integralmente accettate, ove non siano respinte entro 5 (cinque) giorni dal loro ricevimento.

9. STAMPI E ATTREZZATURE;

Gli stampi e le attrezzature rimangono proprietà di Orobica PLast-Gom Srl fino al totale pagamento degli stessi e delle fatture relative a qualsiasi tipo di fornitura effettuata al committente.

10. LISTINI PREZZI;

I prezzi esposti nei listini Orobica PLast-Gom Srl, possono subire variazioni a seconda delle esigenze di mercato, o in correlazione a variazioni del costo delle materie prime, del personale, dell'energia, ecc., senza nessun preavviso alla clientela.

11. CATALOGHI;

Tutti i disegni, fotografie, dati tecnici riportati nei cataloghi Orobica PLast-Gom Srl, sono puramente indicativi e non impegnativi. Orobica PLast-Gom Srl, si riserva il diritto di apportare ai propri cataloghi e ai propri prodotti, in qualunque momento e senza nessun preavviso, tutte le modifiche che, a suo insindacabile giudizio, riterrà convenienti ai fini produttivi e/o utili a migliorarne la qualità, la funzionalità e le prestazioni.

12. CONTROVERSIE;

Per qualsiasi controversia si applicherà la legge Italiana e sarà esclusivamente competente il Foro di Bergamo, anche nel caso di consegne di merce all'estero.

1. PURCHASE ORDERS:

Purchase orders received are only valid by way of booking and they do not bind Orobica PLast-Gom Srl on the delivery, both partial and total. By accepting the orders placed, the current GENERAL SALES CONDITIONS, printed on the reverse side of our documents, are entirely accepted by buyers without any reserve, in order to carry out the order. Because of commercial and administrative reasons Orobica PLast-Gom Srl does not deliver any purchase order lower than EURO 200,00 in Italy and any purchase order lower than EURO 500,00 or the equivalent in foreign countries. Making an exception to the above terms, Orobica PLast-Gom Srl can deliver orders of lower amount, provided that they reach the minimum order value in the commercial month. Orobica PLast-Gom Srl sends orders of lower amount only if this has been previously agreed upon with the Sales Department (RUC).

2. DELIVERY;

Deliveries terms are indicative and not binding. Under any circumstances and for any reason Orobica PLast-Gom Srl is bound to pay out any indemnity for possible direct and/or indirect damages due to delays in the delivery.

3. PACKING;

Failing specific instructions described in the orders, the packaging is made either in standard cartons or in standard plastic bags, in the most appropriate way, without any additional charge. In case buyers ask for a different packaging, (no-standard) additional costs will be charged.

4. TRANSPORTS AND SHIPMENTS;

Goods are delivered "E.X.W. EX WORKS CREDARO (BG) Italy" and they travel at buyer's risk. Under any circumstances and for any reason Orobica PLast-Gom Srl is bound to pay out any indemnity for possible direct and/or indirect damages due to delays in the delivery. Failing specific instructions shipments are arranged using means of transport that Orobica PLast-Gom Srl considers the most appropriate, without this giving rise for complaints.

5. RESTITUTIONS;

Orobica PLast-Gom Srl does not accept any restitution, if this has not been allowed by its Sales Department (RUC). According to its well-established terms, Orobica PLast-Gom Srl does not take into consideration either any goods restitution, whose delivery goes back 30 (thirty) days before the request of return, or for non-standard items.

6. COMPLAINTS;

Orobica PLast-Gom Srl does not accept any complaint after 8 (eight) days from goods receipt. The inspection of goods compliance upon receipt is expressly at buyer's charge. In this case the date of the Delivery Note (DDT) is binding.

7. PAYMENTS;

Payment conditions are those which have been previously agreed upon and stated in the invoice. In case buyers do not respect the payment conditions agreed upon, Orobica PLast-Gom Srl is automatically allowed either to charge the interests on delayed payments, equivalent to the "prime rate ABI" in force, increased of 1%, (one per cent) or to stop the outstanding orders.

8. INVOICES;

Invoices are considered entirely accepted only if they are not rejected within 5 (five) days from their receiving.

9. TOOLS AND EQUIPMENTS;

Tools and equipments are Orobica PLast-Gom Srl property until full payment of the same and of the invoices related to any kind of delivery made to the buyer.

10. PRICE LISTS;

Price lists can be modified either according to the market demands or as a consequence of price fluctuations of raw materials, staff, electric energy, etc... without previous notice to the buyer.

11. CATALOGUES;

Any drawing, picture and technical data shown in Orobica PLast-Gom Srl catalogues are only indicative and not binding. Orobica PLast-Gom Srl reserves the right to make any modification to its catalogues and products, at any time and without previous notice, if it is its firm opinion that this improves quality, product-functionality and technical performances.

12. CONTROVERSY;

The Italian law is applied to solve any controversy and the competent law-courts are solely in Bergamo, even in case of deliveries made in foreign countries.

Materiali non a catalogo: a richiesta previo accordi con il n.s. ufficio tecnico o commerciale possiamo produrre articoli con materiali diversi da quelli indicati nelle tabelle.

Materials not included in the catalogue: on request we can produce items with materials other than those in the tables after prior agreement with our technical commercial office.

Matériaux qui ne sont pas au catalogue: sur demande et après accord de nos services techniques et commerciaux, nous pouvons fabriquer des produits avec des matériaux autres que ceux indiqués dans les tableaux.

Nicht im Katalog enthaltene Materialien: auf Anfrage können wir nach Absprache mit unserer technischen Abteilung/Handelsabteilung Artikel mit von den Angaben in den Tabellen abweichenden Materialien produzieren.

Material fuera de catálogo: baso pedido. El precio se acuerda con nuestra oficina técnica o comercial. Podemos fabricar artículos con materiales diversos indicados en nuestra tabla.

Copyright: Il presente catalogo è parte integrante del patrimonio tecnologico OROBICA PLAST-GOM. Qualsiasi imitazione, anche parziale, della sua metodologia espositiva, comprese tabelle sinottiche ed esplorazioni grafiche, verrà perseguita a termini di legge.

Copyright: This catalogue is integrant part of OROBICA PLAST-GOM's technological property. Any imitation, even partial, of its explanatory methodology as well as of its synoptic and graphical tables is forbidden and will be legally prosecuted.

Copyright: Ce catalogue est partie integrante du patrimoine technique de OROBICA PLAST-GOM. Toute imitation, même partielle, de sa méthodologie expositive, de ses tableaux synoptiques et des représentations graphiques est interdite et peut entraîner des poursuites légales. Sauf autorisation expresse de notre part.

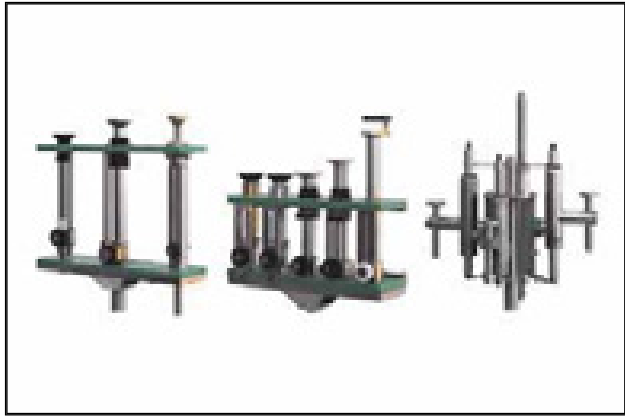
Copyright: Der vorliegende Katalog ist geistiges Eigentum von OROBICA PLAST-GOM. Jede teilweise oder ganze Nachahmung seiner Ausführung, der technischen Angaben, der Tabellen oder graphischen Gestaltung kann gerichtlich verfolgt werden.

Copyright: Il presente catalogo es parte integrante del patrimonio tecnologico de OROBICA PLAST-GOM. Cualquier copia, aún parcial, de su metodología expositiva, incluidas tablas sinópticas y gráficos, sera perseguida legalmente.

OTHER TOP PARTS....



FILLING MACHINES



- Hubzylinder complet or all individual parts
(Bushing, Cuff, Piston, Rollerholder...etc.)

- Filling valve complet or all individual parts (all metal + rubber parts)

- „pantografs“ complet or all individual parts

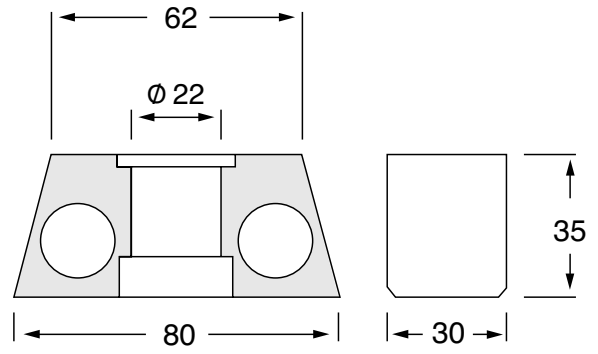
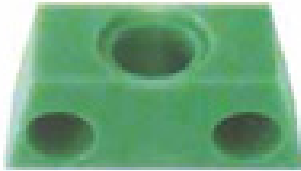
- Filling pipes

- Valve control complet or all individual parts
(Break disc, Bushing, Spring, Shaft..etc.)

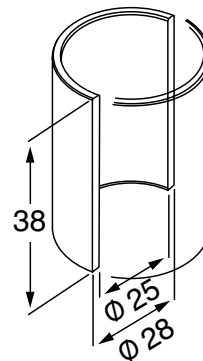
- Various plastic + rubber parts

- **ALL PARTS WE CAN IDENTIFY ACCORDING OEM NUMBER**
– INCLUSIVE PARTS, WHICH DOESN'T CONTAIN
THIS CATALOGUE

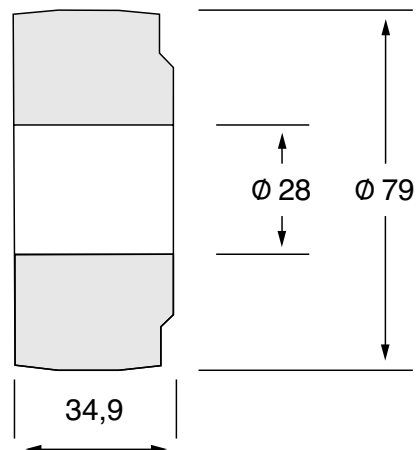
C61Pe



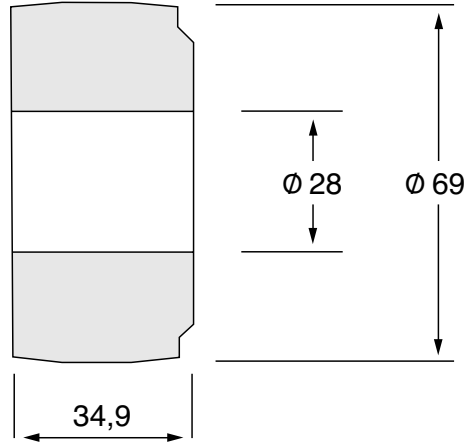
C61g



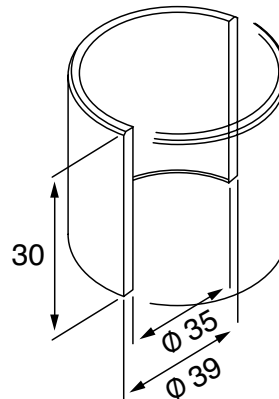
C61b



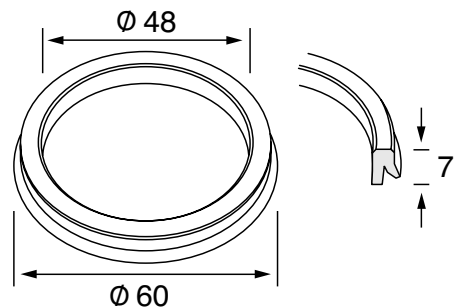
C-1320 Roller



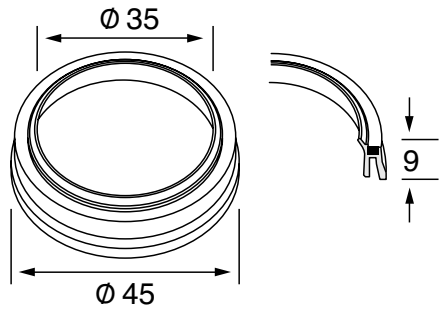
C-3614 Bushing



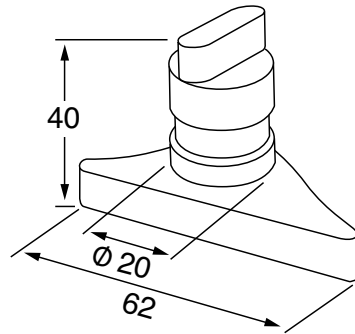
C-1302 Ring NBR



C-2700 Ring NBR

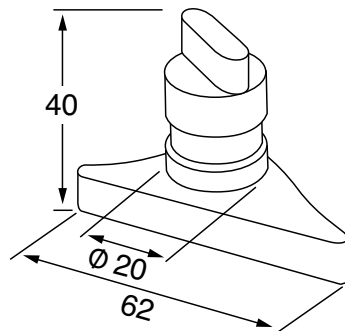


C-0761 Turning Axis

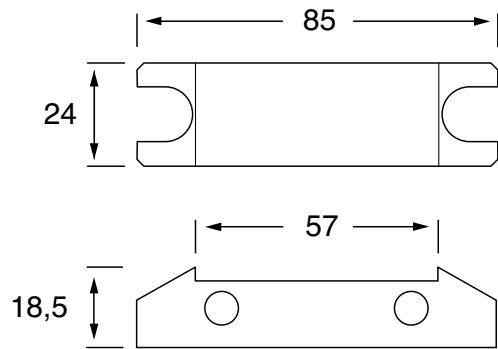
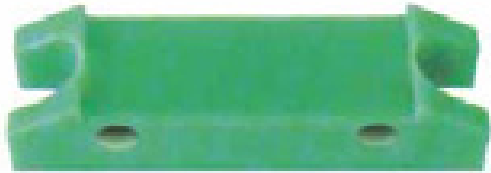


C-0760 Turning Axis

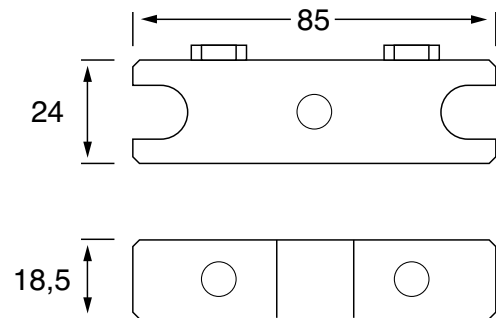
C0760 Turning Axis



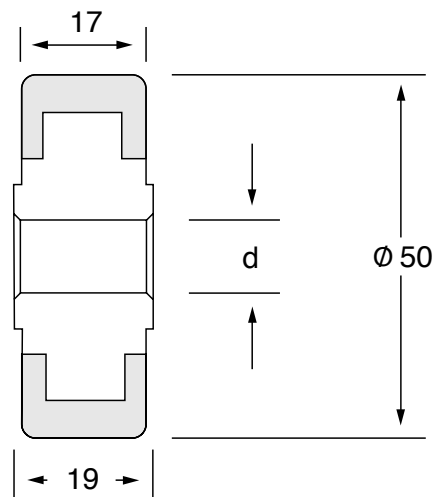
C-1480 Bridge Down



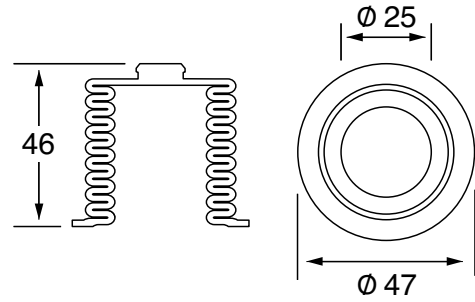
C-0561 Bridge



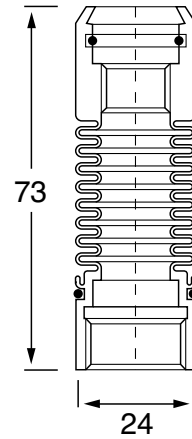
C-0569 Roller



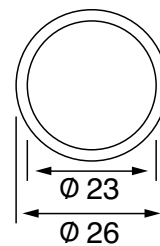
C-0328 Belows



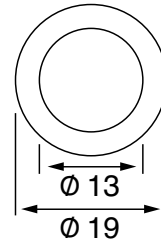
C-0620 Belows



C-1196 O-ring



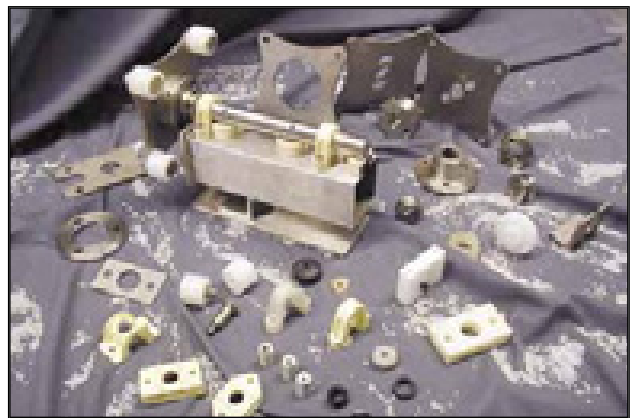
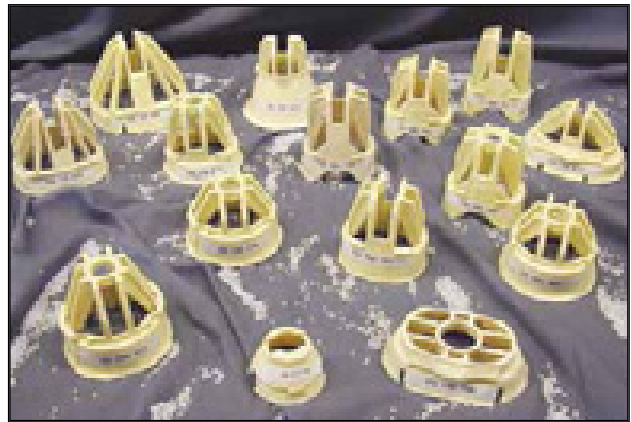
CD₁



Václav



WASHING MACHINES



- Complete basket carrier

- Individual baskets

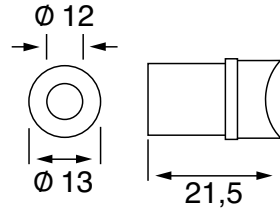
- Complete nozzle shaft

- All mechanical parts as nozzle sets (plate, shell...)

- chain

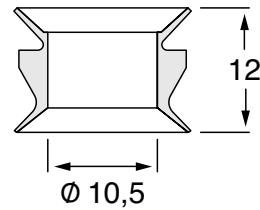
- **ALL PARTS WE CAN IDENTIFY ACCORDING OEM NUMBER**
– INCLUSIVE PARTS, WHICH DOESN'T CONTAIN
THIS CATALOGUE

C-0251 Seal bushing

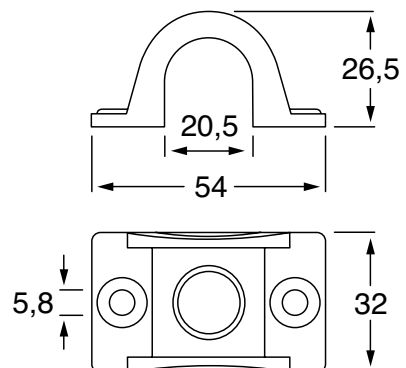


Bore: 3,5 mm, 6,5 mm, 8,0 mm, 6,5 mm oval

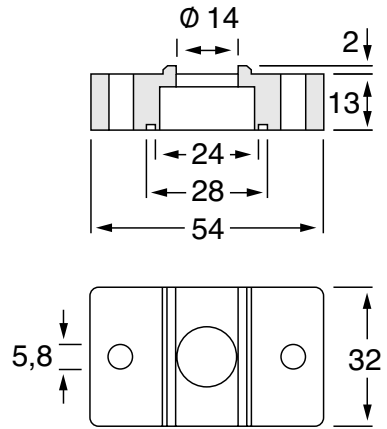
C-0260 V-ring



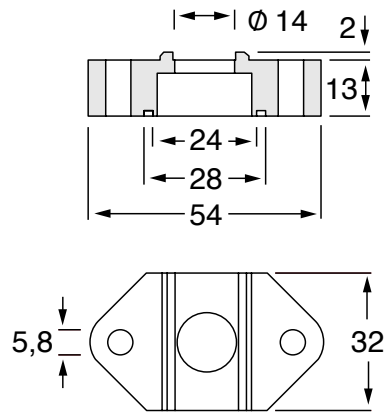
C-0761 Shell



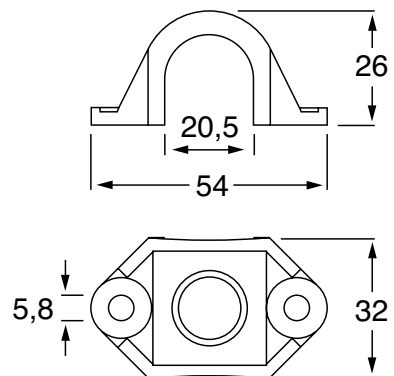
C1Pb



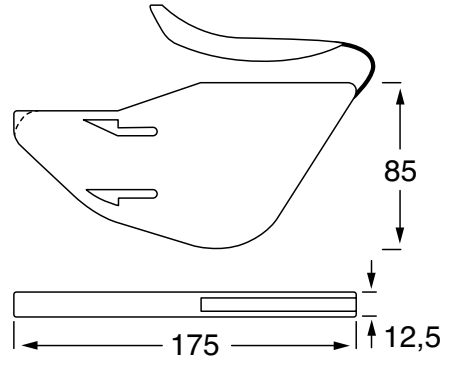
C1Pb



C1Bb



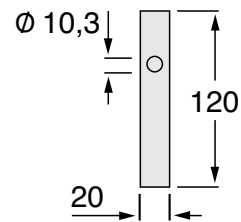
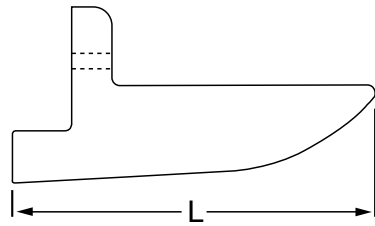
C0P1p



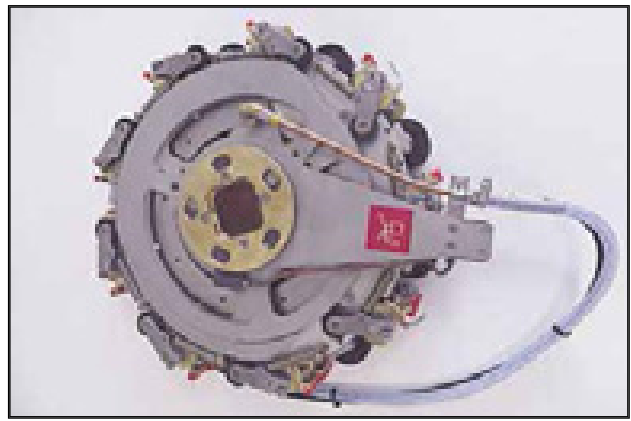
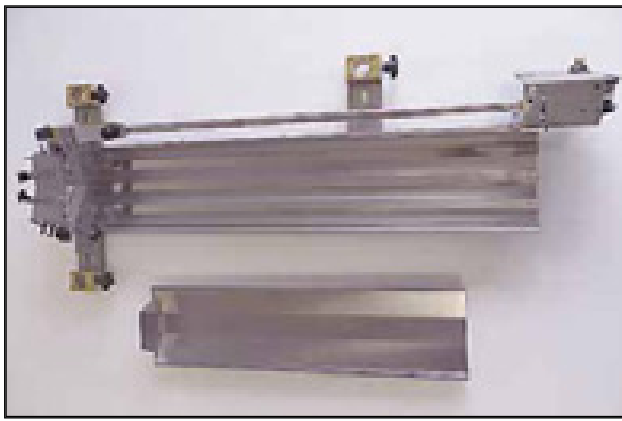
C0D5g



L = 248 mm
L = 267 mm



LABELING MACHINES



- Glue segment (Paletten)
- Glue zylinder
- Label magazine
- Bottle pads, centrier segments ...etc.
- All another mechanical parts
- **ALL PARTS WE CAN IDENTIFY ACCORDING OEM NUMBER**
– INCLUSIVE PARTS, WHICH DOESN'T CONTAIN
THIS CATALOGUE

PICK UP HEADS



INDEX
INDEX
INDEX
ÍNDICE

Cod.	Pag.	Cod.	Pag.	Cod.	Pag.
001.0001	1	001.00422	62	001.0095	53
001.0002	2	001.0043	63	001.0097	81
001.0003	3	001.00431	65	001.0101	45
001.0004	9	001.00432	66	001.0104	98
001.00042	9	001.0044	55	001.0105	35
001.0005	10	001.0045	56	001.0107	99
001.0006	6	001.0046	31	001.0108	67
001.0007	7	001.0049	30	001.0109	102
001.0008	8	001.0050	47	001.0110	103
001.0009	11	001.0051	83	001.01101	104
001.0010	12	001.0052	84	001.0113	105
001.00111	19	001.0053	24	001.0114	69
001.0012	15	001.0054	40	001.0115	77
001.0013	16	001.0055	43	001.0120	85
001.0014	17	001.0056	51	001.0124	107
001.0015	4	001.0057	41	001.0125	108
001.0016	32	001.0058	86	001.0126	109
001.0017	33	001.00581	87	001.0127	110
001.0018	13	001.0059	92	001.0128	71
001.0019	14	001.0060	96	001.0129	73
001.00201	20	001.0062	52	001.0130	78
001.00211	21	001.0063	42	001.0132	75
001.0022	26	001.0064	93	001.0134	82
001.0023	25	001.0065	100	001.0136	58
001.0024	18	001.0067	88	001.0137	60
001.0026	36	001.0068	57	001.0138	64
001.0027	22	001.0069	54	001.0139	68
001.0028	50	001.0070	91	001.0140	70
001.0029	46	001.0072	101	001.0141	79
001.0030	44	001.0075	95	001.0142	74
001.0031	27	001.0076	97	001.0143	72
001.0032	23	001.0077	43	002.0001	113
001.0033	38	001.0080	94	014.0015	114
001.0034	90	001.0081	106	014.0016	115
001.0035	5	001.0082	76	014.0032	119
001.0036	28	001.00823	80	050.0004	112
001.0037	48	001.0084	89	051.0001	118
001.0038	53	001.0087	39	051.0002	117
001.0039	34	001.0088	49	051.0005	116
001.0040	37	001.0091	38	051.0006	116
001.0041	29	001.0092	53	051.0007	116
001.0042	59	001.0093	111	051.0008	116
001.00421	61	001.0094	41	051.0009	116

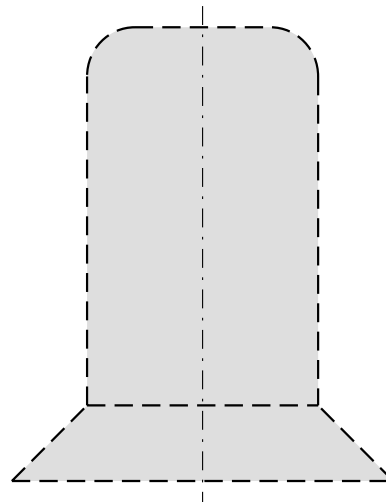
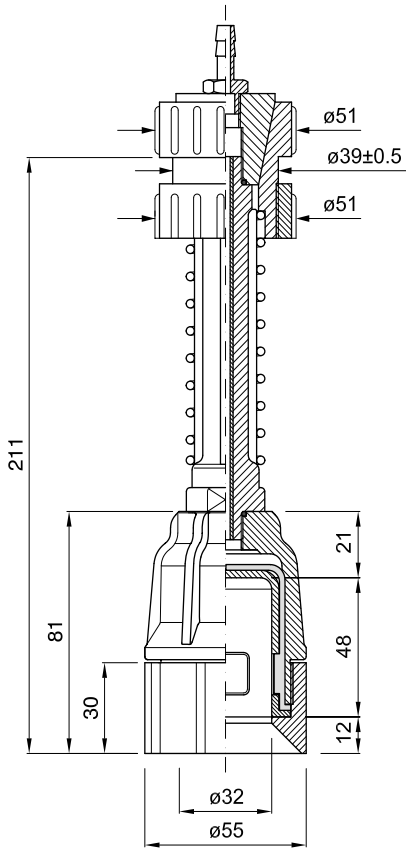
PICK-UP HEAD

TETE DE PREHENSION

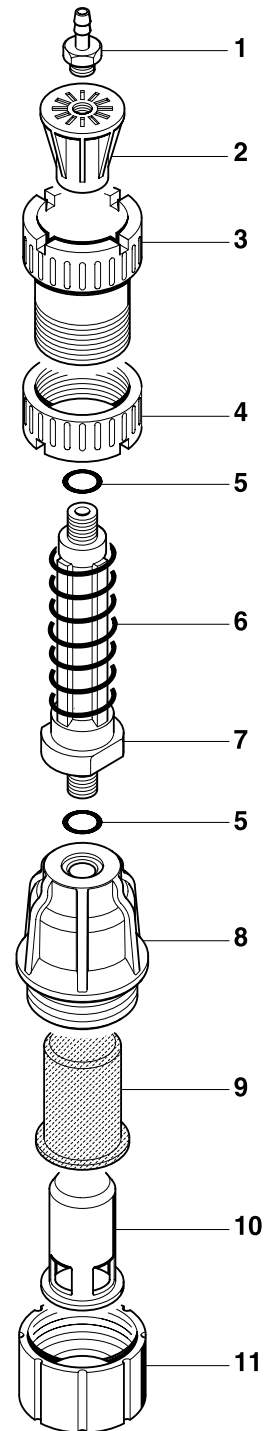
GREIFERKOPF

TULIPA

cod. 001.0001 ø 55

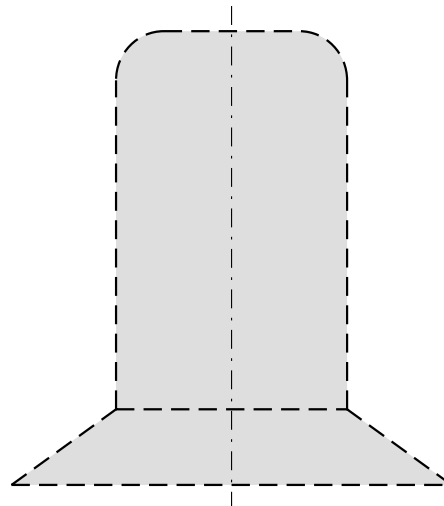
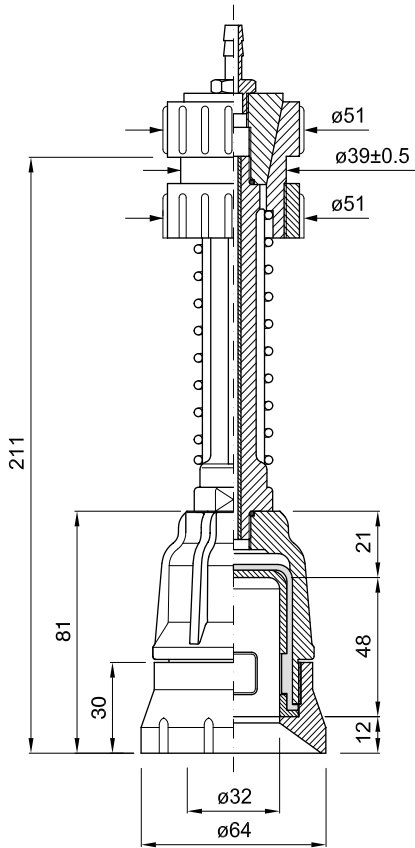


PROFILO INTERNO SCALA 1:1
INTERNAL SECTION SCALE 1:1
PROFIL INTERNE ECHELLE 1:1
INNENPROFIL MASSTAB 1:1
PERFIL INTERIOR ESCALA 1:1

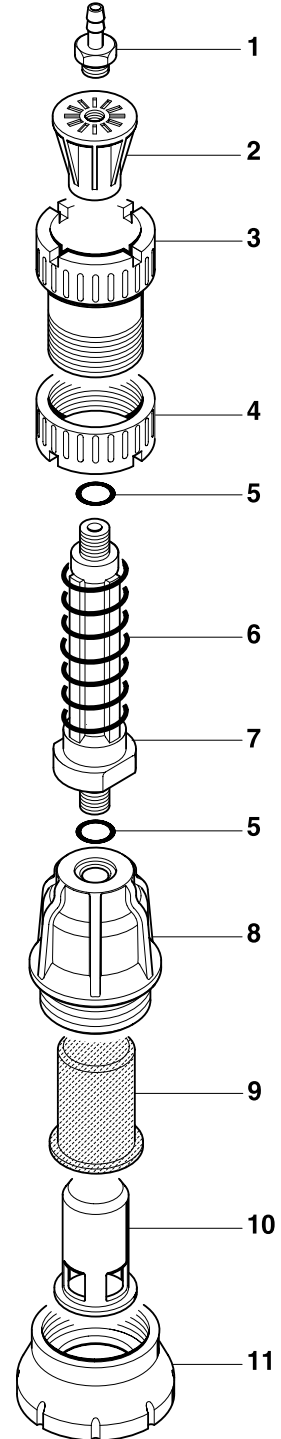


	COD.	MATERIALE	MATERIAL	MATERIEL	WERKSTOFF	MATERIAL
1	024.0001	OTTONE	BRASS	LAITON	MESSING	LATON
2	025.0001	PA	PA	PA	PA	PA
3	026.0001	PA	PA	PA	PA	PA
4	026.0011	PA	PA	PA	PA	PA
5	057.0033	GOMMA	RUBBER	CAOUTCHOUC	GUMMI	GOMA
6	029.0001	AISI	STAINLESS STEEL	ACIER INOXYDABLE	ROSTFREIER STAHL	ACERO INOXIDABLE
7	028.0001	PA	PA	PA	PA	PA
8	027.0001	PA	PA	PA	PA	PA
9	040.0005	GOMMA/TPU	RUBBER/TPU	CAOUTCHOUC/TPU	GUMMI/TPU	GOMA/TPU
10	030.0001	OTTONE	BRASS	LAITON	MESSING	LATON
11	026.0020	PA	PA	PA	PA	PA

cod. 001.0002 ø 64

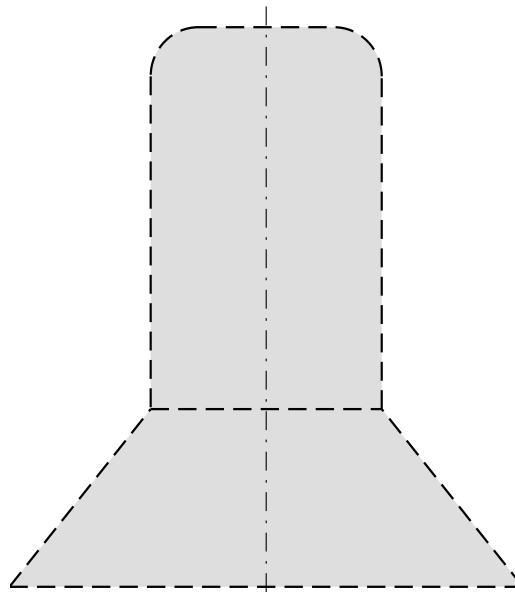
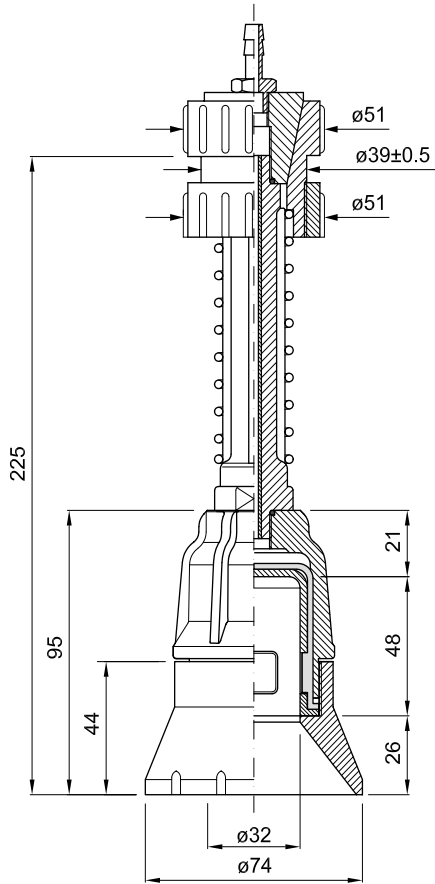


PROFILO INTERNO SCALA 1:1
INTERNAL SECTION SCALE 1:1
PROFIL INTERNE ECHELLE 1:1
INNENPROFIL MASSTAB 1:1
PERFIL INTERIOR ESCALA 1:1

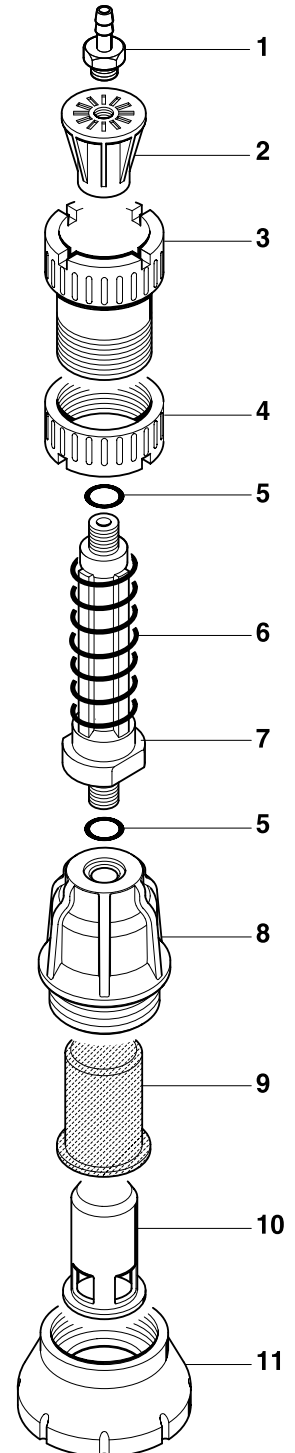


	COD.	MATERIALE	MATERIAL	MATERIEL	WERKSTOFF	MATERIAL
1	024.0001	OTTONE	BRASS	LAITON	MESSING	LATON
2	025.0001	PA	PA	PA	PA	PA
3	026.0001	PA	PA	PA	PA	PA
4	026.0011	PA	PA	PA	PA	PA
5	057.0033	GOMMA	RUBBER	CAOUTCHOUC	GUMMI	GOMA
6	029.0001	AISI	STAINLESS STEEL	ACIER INOXYDABLE	ROSTFREIER STAHL	ACERO INOXIDABLE
7	028.0001	PA	PA	PA	PA	PA
8	027.0001	PA	PA	PA	PA	PA
9	040.0005	GOMMA/TPU	RUBBER/TPU	CAOUTCHOUC/TPU	GUMMI/TPU	GOMA/TPU
10	030.0001	OTTONE	BRASS	LAITON	MESSING	LATON
11	026.0026	PA	PA	PA	PA	PA

cod. 001.0003 ø 74

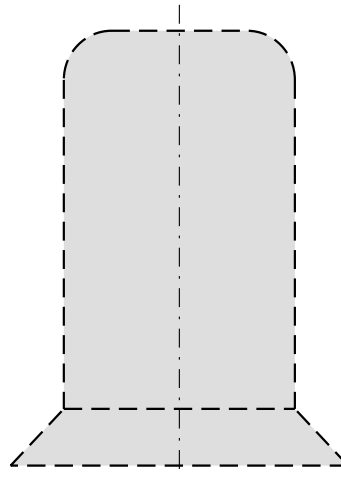
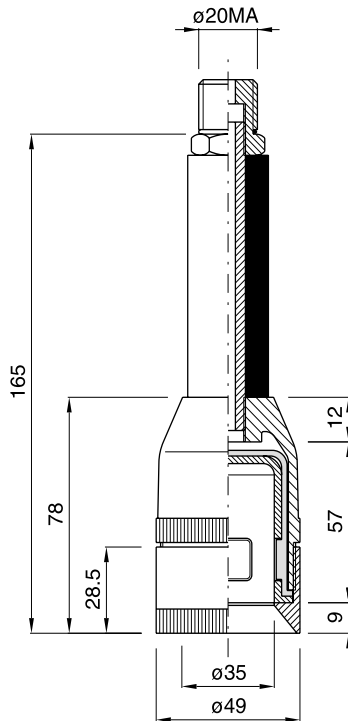


PROFILO INTERNO SCALA 1:1
INTERNAL SECTION SCALE 1:1
PROFIL INTERNE ECHELLE 1:1
INNENPROFIL MASSTAB 1:1
PERFIL INTERIOR ESCALA 1:1

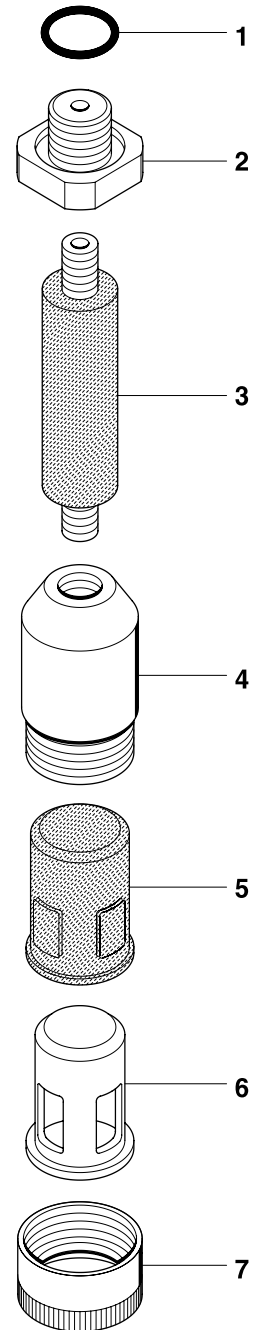


	COD.	MATERIALE	MATERIAL	MATERIEL	WERKSTOFF	MATERIAL
1	024.0001	OTTONE	BRASS	LAITON	MESSING	LATON
2	025.0001	PA	PA	PA	PA	PA
3	026.0001	PA	PA	PA	PA	PA
4	026.0011	PA	PA	PA	PA	PA
5	057.0033	GOMMA	RUBBER	CAOUTCHOUC	GUMMI	GOMA
6	029.0001	AISI	STAINLESS STEEL	ACIER INOXYDABLE	ROSTFREIER STAHL	ACERO INOXIDABLE
7	028.0001	PA	PA	PA	PA	PA
8	027.0001	PA	PA	PA	PA	PA
9	040.0005	GOMMA/TPU	RUBBER/TPU	CAOUTCHOUC/TPU	GUMMI/TPU	GOMA/TPU
10	030.0001	OTTONE	BRASS	LAITON	MESSING	LATON
11	026.0028	PA	PA	PA	PA	PA

cod. 001.0015 ø 49

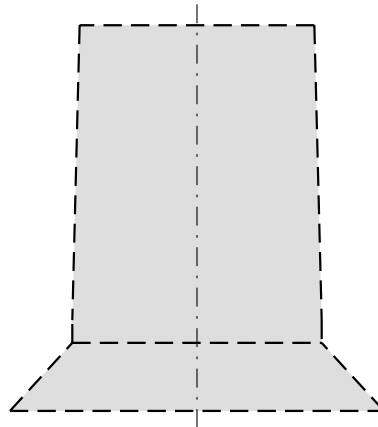
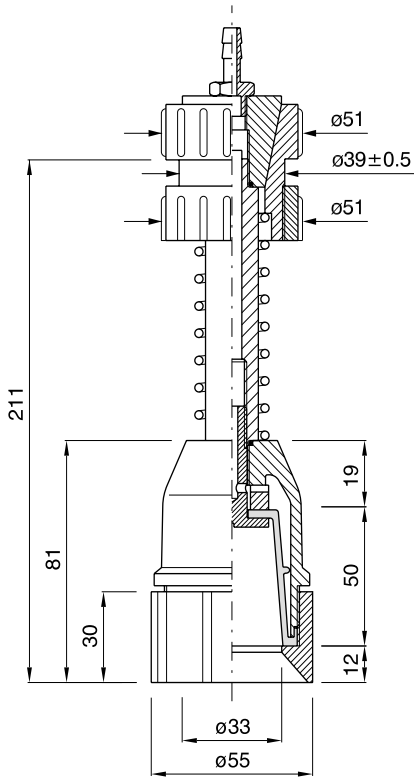


PROFILO INTERNO SCALA 1:1
 INTERNAL SECTION SCALE 1:1
 PROFIL INTERNE ECHELLE 1:1
 INNENPROFIL MASSTAB 1:1
 PERFIL INTERIOR ESCALA 1:1

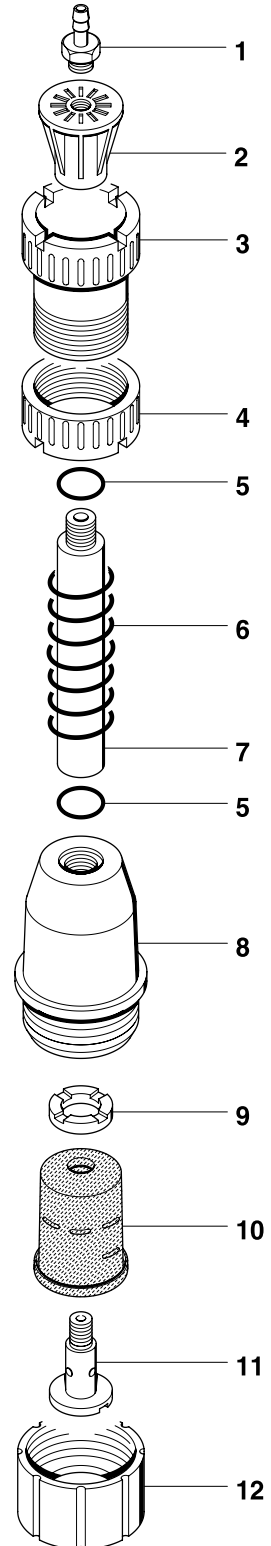


	COD.	MATERIALE	MATERIAL	MATERIEL	WERKSTOFF	MATERIAL
1	057.0033	GOMMA	RUBBER	CAOUTCHOUC	GUMMI	GOMA
2	032.0017	OTTONE	BRASS	LAITON	MESSING	LATON
3	028.0012	GOMMA	RUBBER	CAOUTCHOUC	GUMMI	GOMA
4	027.0002	PA	PA	PA	PA	PA
5	040.0005	GOMMA/TPU	RUBBER/TPU	CAOUTCHOUC/TPU	GUMMI/TPU	GOMA/TPU
6	030.0001	OTTONE	BRASS	LAITON	MESSING	LATON
7	026.0041	PA	PA	PA	PA	PA

cod. 001.0035 ø 55

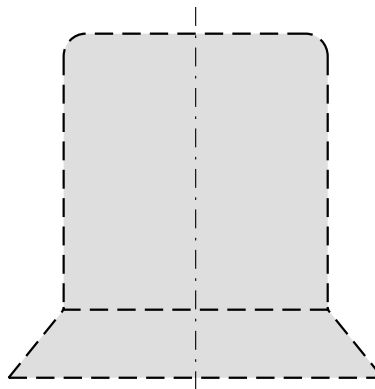
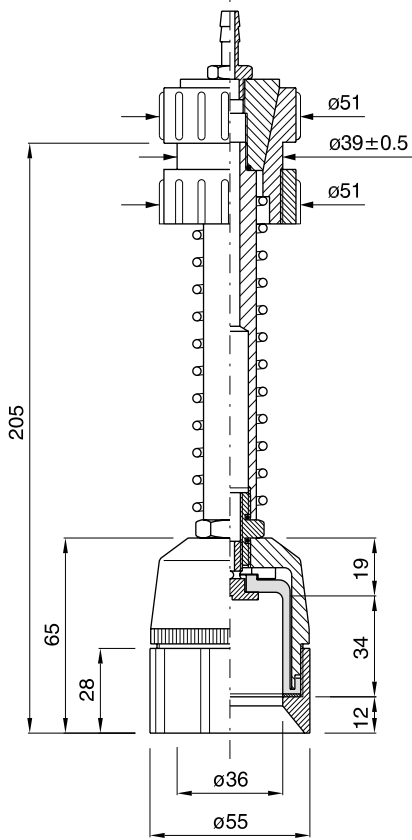


PROFILO INTERNO SCALA 1:1
INTERNAL SECTION SCALE 1:1
PROFIL INTERNE ECHELLE 1:1
INNENPROFIL MASSTAB 1:1
PERFIL INTERIOR ESCALA 1:1

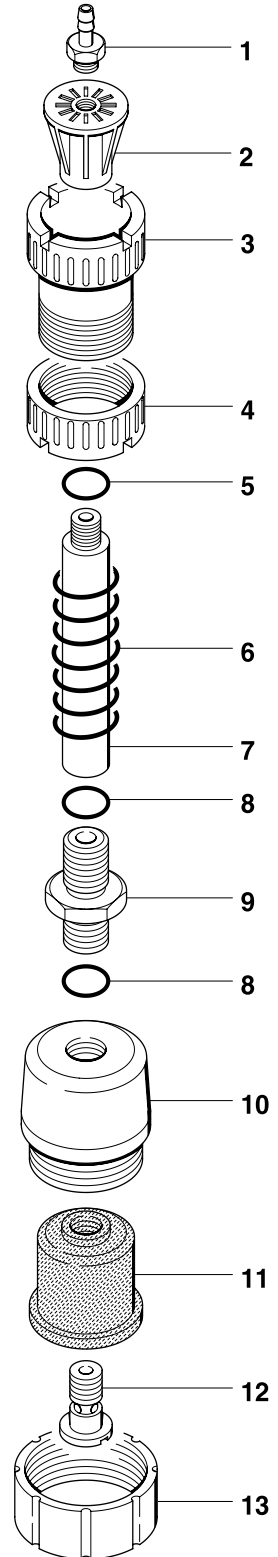


	COD.	MATERIALE	MATERIAL	MATERIEL	WERKSTOFF	MATERIAL
1	024.0001	OTTONE	BRASS	LAITON	MESSING	LATON
2	025.0001	PA	PA	PA	PA	PA
3	026.0001	PA	PA	PA	PA	PA
4	026.0011	PA	PA	PA	PA	PA
5	057.0033	GOMMA	RUBBER	CAOUTCHOUC	GUMMI	GOMA
6	029.0001	AISI	STAINLESS STEEL	ACIER INOXYDABLE	ROSTFREIER STAHL	ACERO INOXIDABLE
7	028.0005	AL	AL	AL	AL	AL
8	027.0003	PA	PA	PA	PA	PA
9	032.0208	PA	PA	PA	PA	PA
10	040.0002	GOMMA/TPU	RUBBER/TPU	CAOUTCHOUC/TPU	GUMMI/TPU	GOMA/TPU
11	032.0009	OTTONE	BRASS	LAITONN	MESSING	LATON
12	026.0022	PA	PA	PA	PA	PA

cod. 001.0006 ø 55

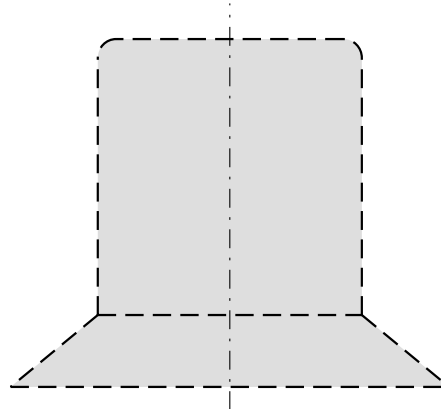
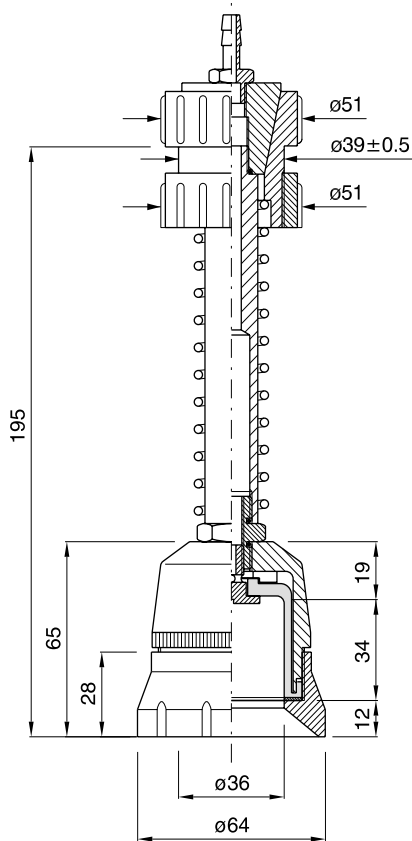


PROFILO INTERNO SCALA 1:1
INTERNAL SECTION SCALE 1:1
PROFIL INTERNE ECHELLE 1:1
INNENPROFIL MASSTAB 1:1
PERFIL INTERIOR ESCALA 1:1

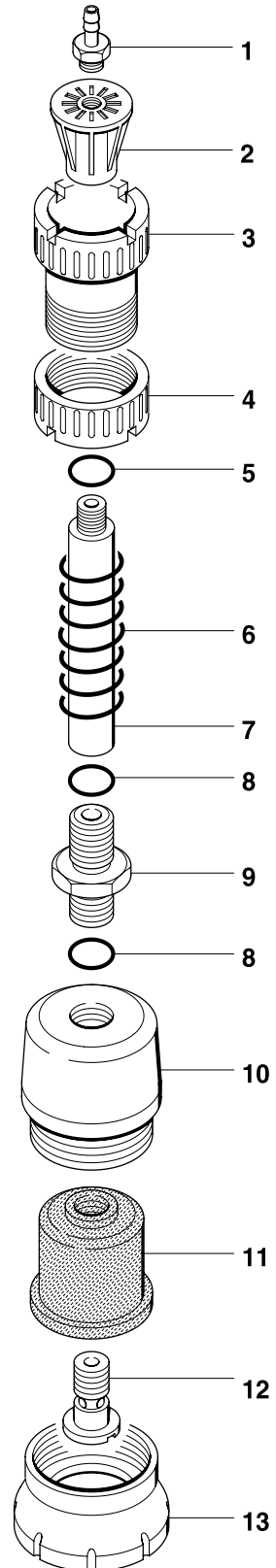


	COD.	MATERIALE	MATERIAL	MATERIEL	WERKSTOFF	MATERIAL
1	024.0001	OTTONE	BRASS	LAITON	MESSING	LATON
2	025.0001	PA	PA	PA	PA	PA
3	026.0001	PA	PA	PA	PA	PA
4	026.0011	PA	PA	PA	PA	PA
5	057.0033	GOMMA	RUBBER	CAOUTCHOUC	GUMMI	GOMA
6	029.0001	AISI	STAINLESS STEEL	ACIER INOXYDABLE	ROSTFREIER STAHL	ACERO INOXIDABLE
7	028.0003	AL	AL	AL	AL	AL
8	057.0014	GOMMA	RUBBER	CAOUTCHOUC	GUMMI	GOMA
9	032.0016	OTTONE	BRASS	LAITON	MESSING	LATON
10	027.0012	PA	PA	PA	PA	PA
11	040.0056	GOMMA / TPU	RUBBER / TPU	CAOUTCHOUC TPU	GUMMI / TPU	GOMA / TPU
12	032.0001	OTTONE	BRASS	LAITON	MESSING	LATON
13	026.0021	PA	PA	PA	PA	PA

cod. 001.0007 ø 64

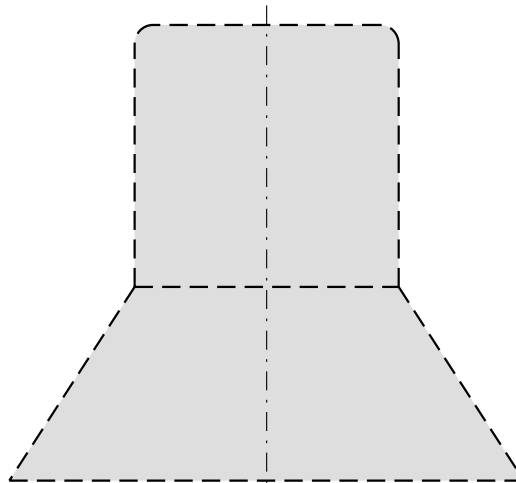
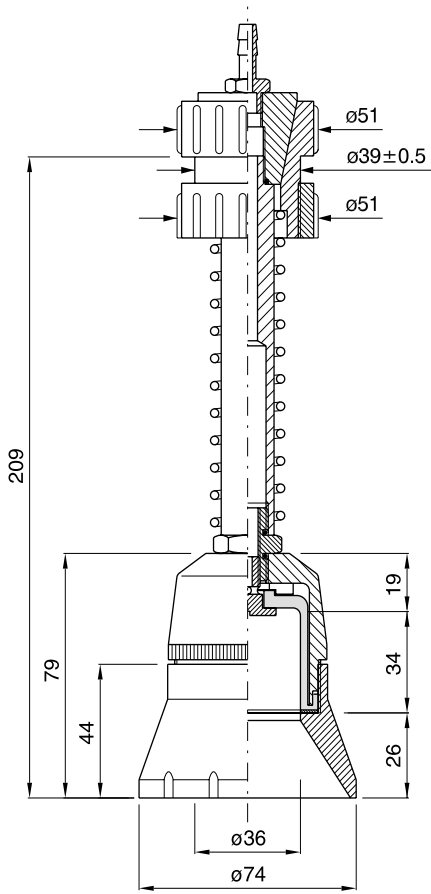


PROFILO INTERNO SCALA 1:1
INTERNAL SECTION SCALE 1:1
PROFIL INTERNE ECHELLE 1:1
INNENPROFIL MASSTAB 1:1
PERFIL INTERIOR ESCALA 1:1

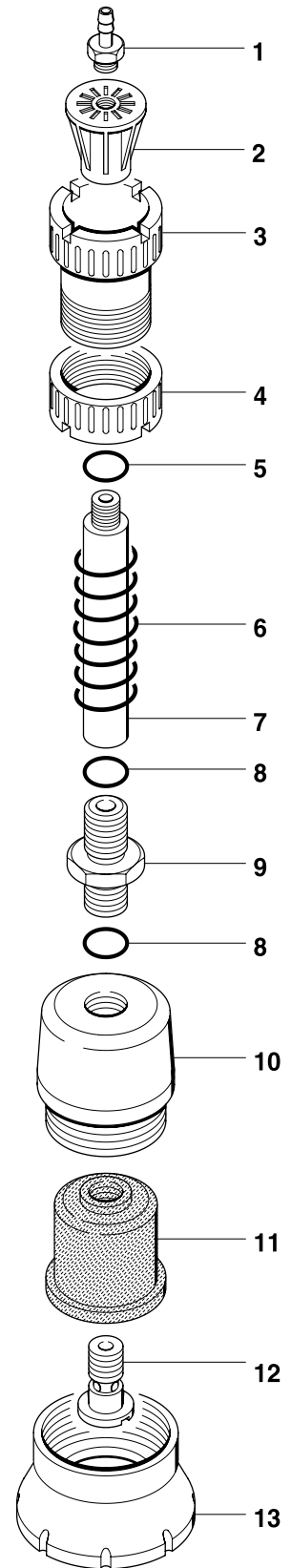


	COD.	MATERIALE	MATERIAL	MATERIEL	WERKSTOFF	MATERIAL
1	024.0001	OTTONE	BRASS	LAITON	MESSING	LATON
2	025.0001	PA	PA	PA	PA	PA
3	026.0001	PA	PA	PA	PA	PA
4	026.0011	PA	PA	PA	PA	PA
5	057.0033	GOMMA	RUBBER	CAOUTCHOUC	GUMMI	GOMA
6	029.0001	AISI	STAINLESS STEEL	ACIER INOXYDABLE	ROSTFREIER STAHL	ACERO INOXIDABLE
7	028.0003	AL	AL	AL	AL	AL
8	057.0014	GOMMA	RUBBER	CAOUTCHOUC	GUMMI	GOMA
9	032.0016	OTTONE	BRASS	LAITON	MESSING	LATON
10	027.0012	PA	PA	PA	PA	PA
11	040.0056	GOMMA / TPU	RUBBER / TPU	CAOUTCHOUC TPU	GUMMI / TPU	GOMA / TPU
12	032.0001	OTTONE	BRASS	LAITON	MESSING	LATON
13	026.0027	PA	PA	PA	PA	PA

cod. 001.0008 ø 74

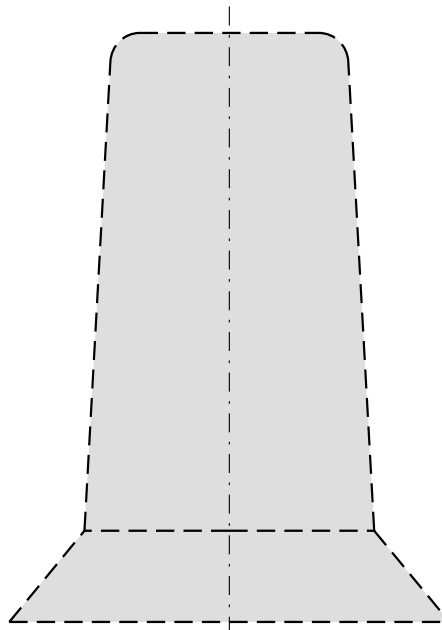
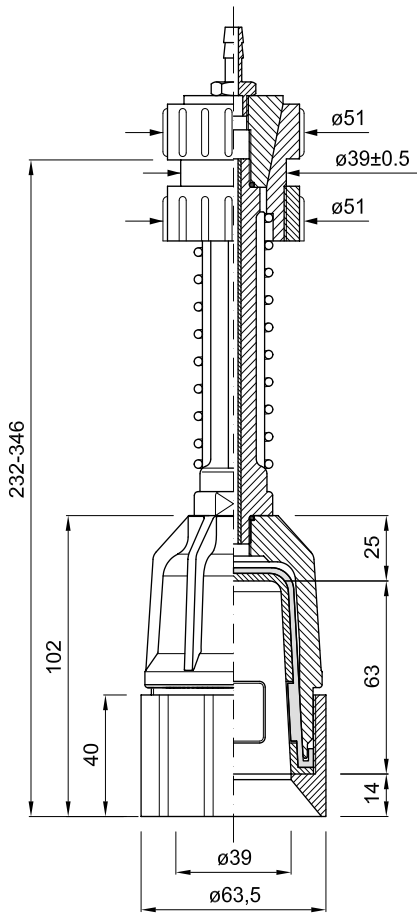


PROFILO INTERNO SCALA 1:1
 INTERNAL SECTION SCALE 1:1
 PROFIL INTERNE ECHELLE 1:1
 INNENPROFIL MASSTAB 1:1
 PERFIL INTERIOR ESCALA 1:1

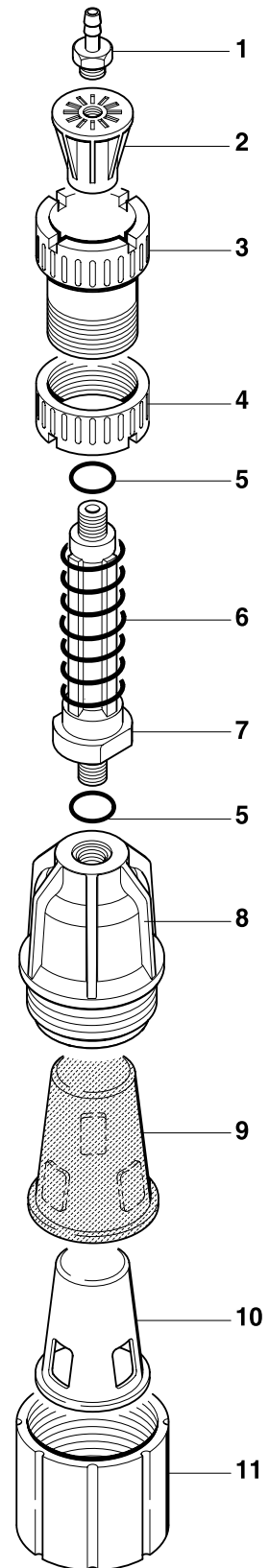


	COD.	MATERIALE	MATERIAL	MATERIEL	WERKSTOFF	MATERIAL
1	024.0001	OTTONE	BRASS	LAITON	MESSING	LATON
2	025.0001	PA	PA	PA	PA	PA
3	026.0001	PA	PA	PA	PA	PA
4	026.0011	PA	PA	PA	PA	PA
5	057.0033	GOMMA	RUBBER	CAOUTCHOUC	GUMMI	GOMA
6	029.0001	AISI	STAINLESS STEEL	ACIER INOXYDABLE	ROSTFREIER STAHL	ACERO INOXIDABLE
7	028.0003	AL	AL	AL	AL	AL
8	057.0014	GOMMA	RUBBER	CAOUTCHOUC	GUMMI	GOMA
9	032.0016	OTTONE	BRASS	LAITON	MESSING	LATON
10	027.0012	PA	PA	PA	PA	PA
11	040.0056	GOMMA / TPU	RUBBER / TPU	CAOUTCHOUC TPU	GUMMI / TPU	GOMA / TPU
12	032.0001	OTTONE	BRASS	LAITON	MESSING	LATON
13	026.0029	PA	PA	PA	PA	PA

cod. 001.0004 ø 64 H=232 - cod. 001.00042 ø 64 H=346



PROFILO INTERNO SCALA 1:1
 INTERNAL SECTION SCALE 1:1
 PROFIL INTERNE ECHELLE 1:1
 INNENPROFIL MASSTAB 1:1
 PERFIL INTERIOR ESCALA 1:1



	COD.	MATERIALE	MATERIAL	MATERIEL	WERKSTOFF	MATERIAL
1	024.0001	OTTONE	BRASS	LAITON	MESSING	LATON
2	025.0001	PA	PA	PA	PA	PA
3	026.0001	PA	PA	PA	PA	PA
4	026.0011	PA	PA	PA	PA	PA
5	057.0033	GOMMA	RUBBER	CAOUTCHOUC	GUMMI	GOMA
6	029.0001	AISI	STAINLESS STEEL	ACIER INOXYDABLE	ROSTFREIER STAHL	ACERO INOXIDABLE
7	028.0001	PA	PA	PA	PA	PA
8	027.0007	PA	PA	PA	PA	PA
9	040.0007	GOMMA / TPU	RUBBER / TPU	CAOUTCHOUC TPU	GUMMI / TPU	GOMA / TPU
10	030.0003	PA	PA	PA	PA	PA
11	026.0030	PA	PA	PA	PA	PA

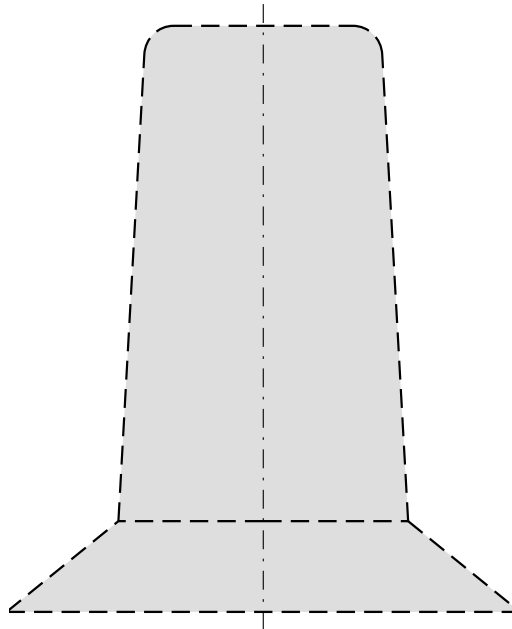
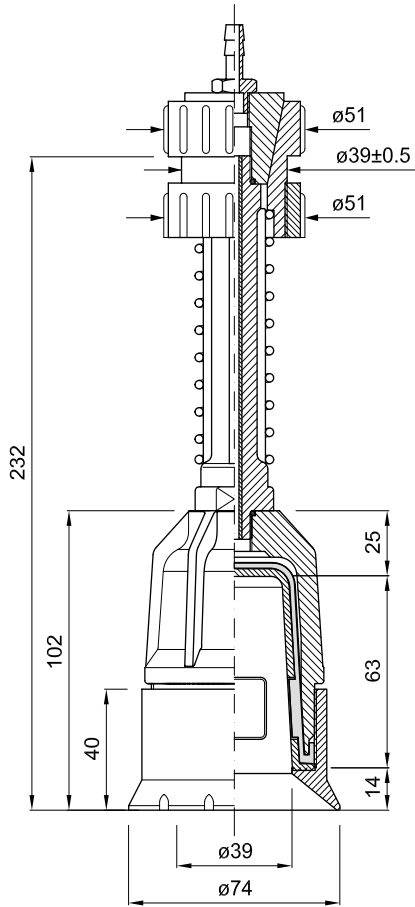
PICK-UP HEAD

TETE DE PREHENSION

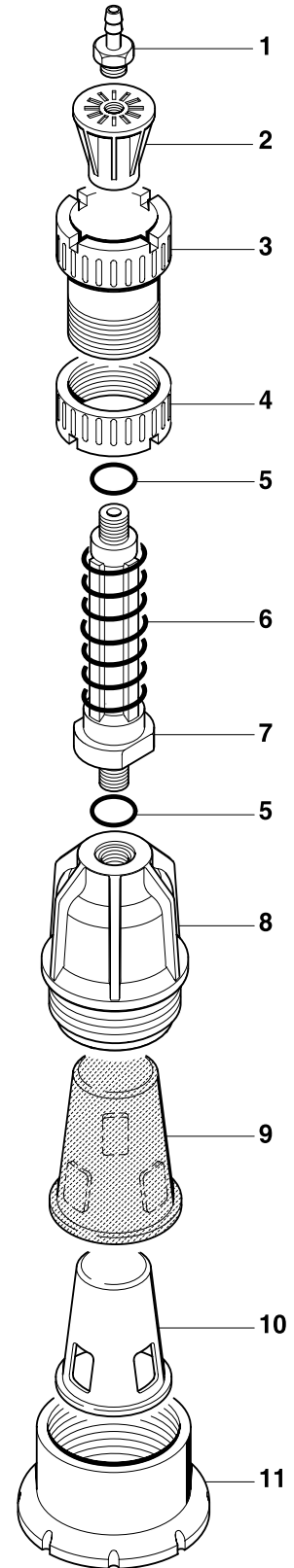
GREIFERKOPF

TULIPA

cod. 001.0005 ø 74

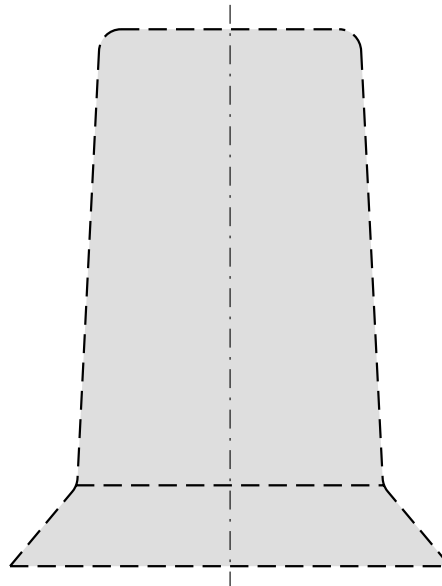
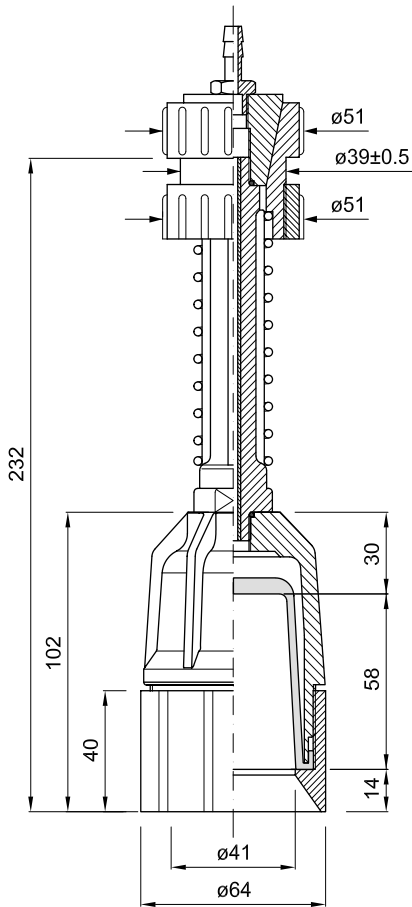


PROFILO INTERNO SCALA 1:1
INTERNAL SECTION SCALE 1:1
PROFIL INTERNE ECHELLE 1:1
INNENPROFIL MASSTAB 1:1
PERFIL INTERIOR ESCALA 1:1

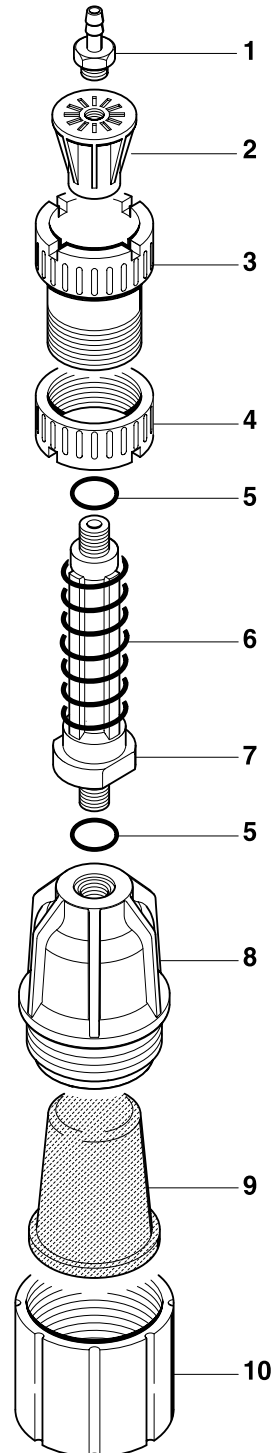


	COD.	MATERIALE	MATERIAL	MATERIEL	WERKSTOFF	MATERIAL
1	024.0001	OTTONE	BRASS	LAITON	MESSING	LATON
2	025.0001	PA	PA	PA	PA	PA
3	026.0001	PA	PA	PA	PA	PA
4	026.0011	PA	PA	PA	PA	PA
5	057.0033	GOMMA	RUBBER	CAOUTCHOUC	GUMMI	GOMA
6	029.0001	AISI	STAINLESS STEEL	ACIER INOXYDABLE	ROSTFREIER STAHL	ACERO INOXIDABLE
7	028.0001	PA	PA	PA	PA	PA
8	027.0007	PA	PA	PA	PA	PA
9	040.0007	GOMMA / TPU	RUBBER / TPU	CAOUTCHOUC TPU	GUMMI / TPU	GOMA / TPU
10	030.0003	PA	PA	PA	PA	PA
11	026.0034	PA	PA	PA	PA	PA

cod. 001.0009 ø 64



PROFILO INTERNO SCALA 1:1
INTERNAL SECTION SCALE 1:1
PROFIL INTERNE ECHELLE 1:1
INNENPROFIL MASSTAB 1:1
PERFIL INTERIOR ESCALA 1:1



	COD.	MATERIALE	MATERIAL	MATERIEL	WERKSTOFF	MATERIAL
1	024.0001	OTTONE	BRASS	LAITON	MESSING	LATON
2	025.0001	PA	PA	PA	PA	PA
3	026.0001	PA	PA	PA	PA	PA
4	026.0011	PA	PA	PA	PA	PA
5	057.0033	GOMMA	RUBBER	CAOUTCHOUC	GUMMI	GOMA
6	029.0001	AISI	STAINLESS STEEL	ACIER INOXYDABLE	ROSTFREIER STAHL	ACERO INOXIDABLE
7	028.0001	PA	PA	PA	PA	PA
8	027.0007	PA	PA	PA	PA	PA
9	040.0006	GOMMA	RUBBER	CAOUTCHOUC	GUMMI	GOMA
10	026.0031	PA	PA	PA	PA	PA

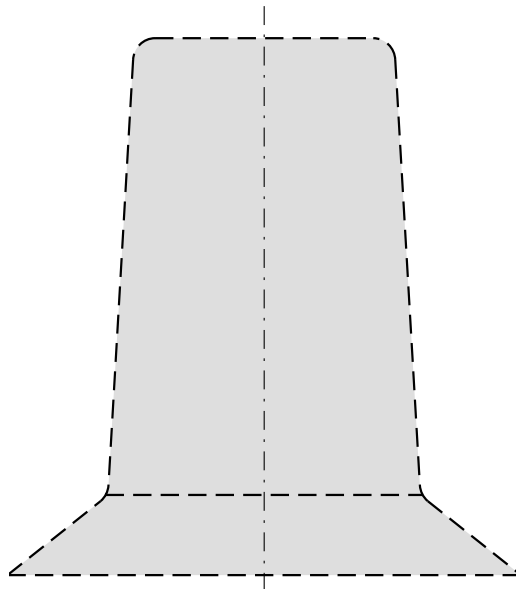
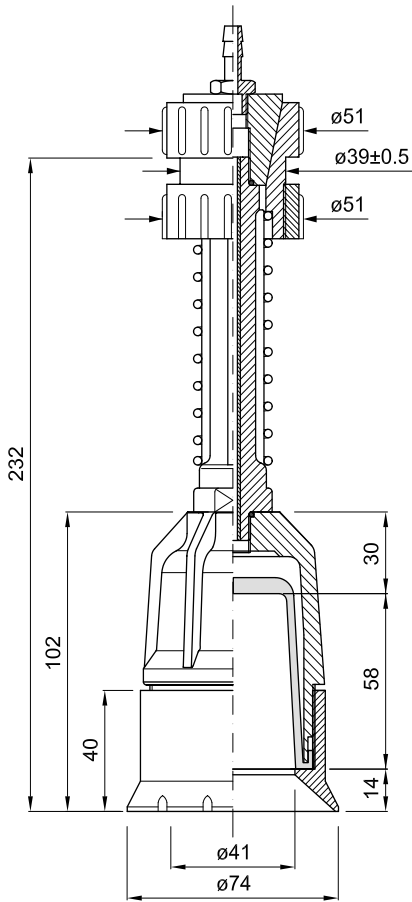
PICK-UP HEAD

TETE DE PREHENSION

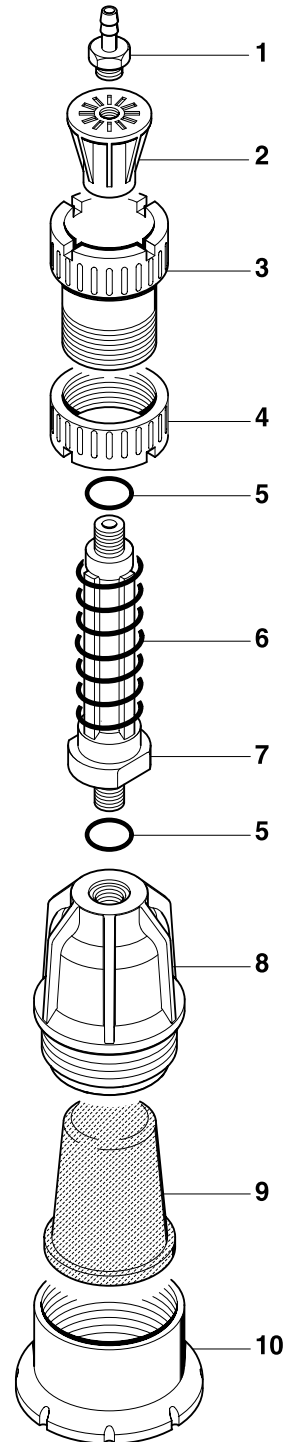
GREIFERKOPF

TULIPA

cod. 001.0010 ø 74

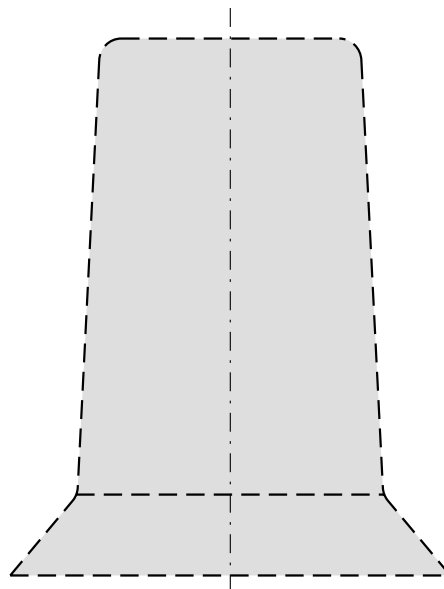
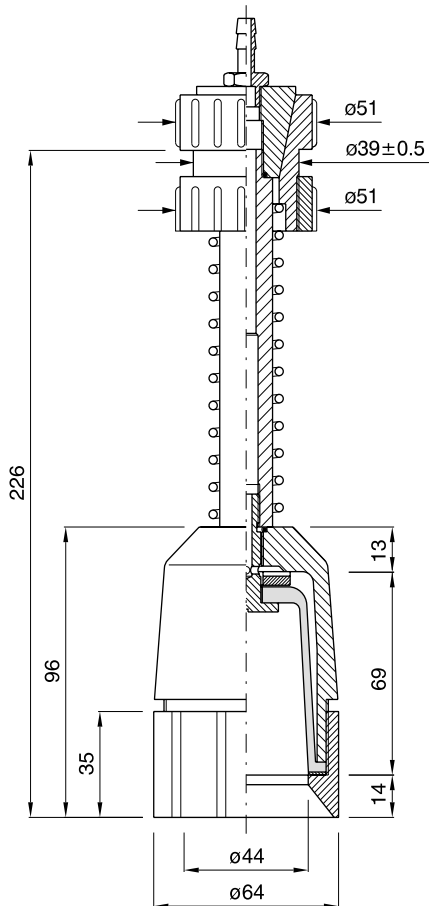


PROFILO INTERNO SCALA 1:1
INTERNAL SECTION SCALE 1:1
PROFIL INTERNE ECHELLE 1:1
INNENPROFIL MASSTAB 1:1
PERFIL INTERIOR ESCALA 1:1

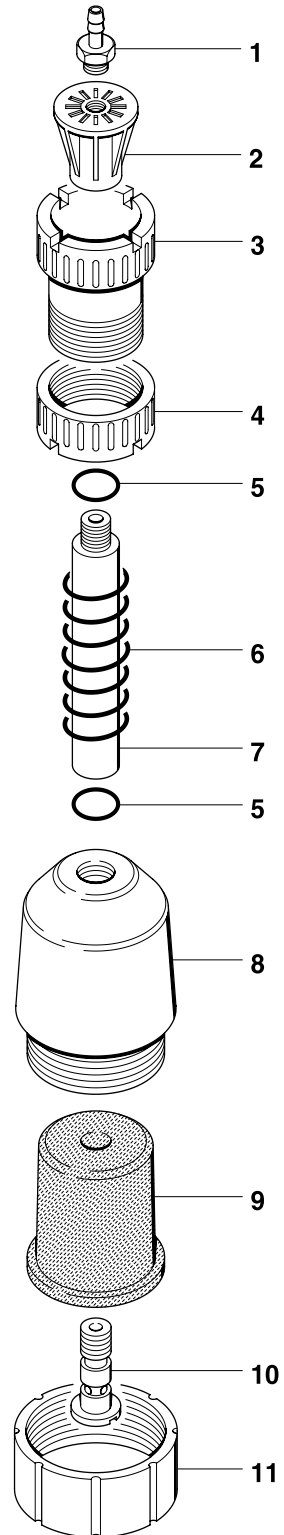


	COD.	MATERIALE	MATERIAL	MATERIEL	WERKSTOFF	MATERIAL
1	024.0001	OTTONE	BRASS	LAITON	MESSING	LATON
2	025.0001	PA	PA	PA	PA	PA
3	026.0001	PA	PA	PA	PA	PA
4	026.0011	PA	PA	PA	PA	PA
5	057.0033	GOMMA	RUBBER	CAOUTCHOUC	GUMMI	GOMA
6	029.0001	AISI	STAINLESS STEEL	ACIER INOXYDABLE	ROSTFREIER STAHL	ACERO INOXIDABLE
7	028.0001	PA	PA	PA	PA	PA
8	027.0007	PA	PA	PA	PA	PA
9	040.0006	GOMMA	RUBBER	CAOUTCHOUC	GUMMI	GOMA
10	026.0035	PA	PA	PA	PA	PA

cod. 001.0018 ø 64

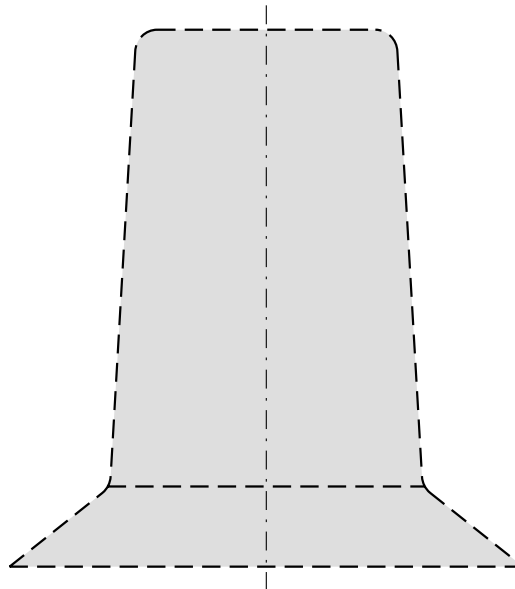
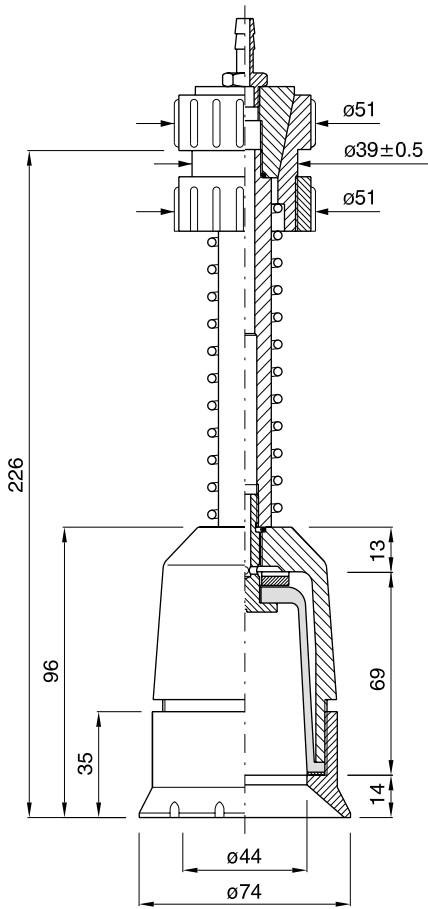


PROFILO INTERNO SCALA 1:1
INTERNAL SECTION SCALE 1:1
PROFIL INTERNE ECHELLE 1:1
INNENPROFIL MASSTAB 1:1
PERFIL INTERIOR ESCALA 1:1

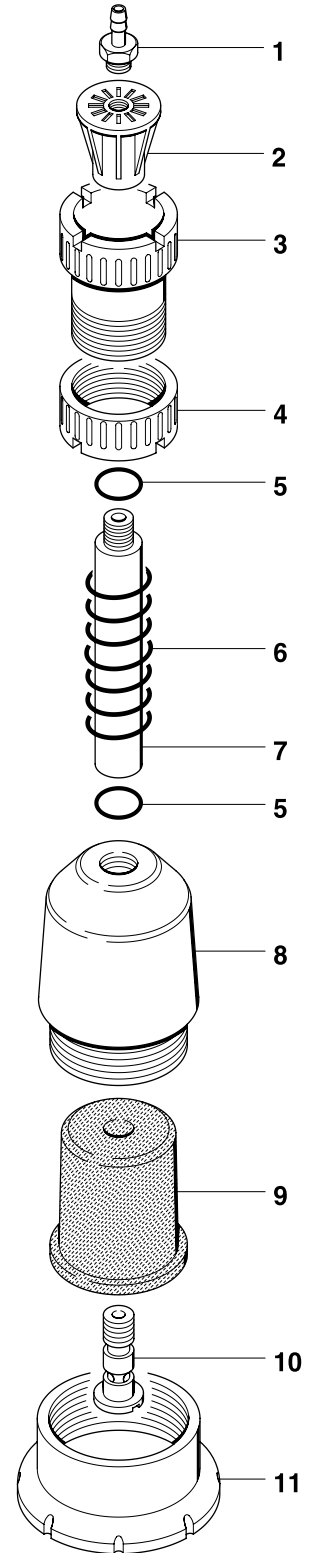


	COD.	MATERIALE	MATERIAL	MATERIEL	WERKSTOFF	MATERIAL
1	024.0001	OTTONE	BRASS	LAITON	MESSING	LATON
2	025.0001	PA	PA	PA	PA	PA
3	026.0001	PA	PA	PA	PA	PA
4	026.0011	PA	PA	PA	PA	PA
5	057.0033	GOMMA	RUBBER	CAOUTCHOUC	GUMMI	GOMA
6	029.0001	AISI	STAINLESS STEEL	ACIER INOXYDABLE	ROSTFREIER STAHL	ACERO INOXIDABLE
7	028.0005	AL	AL	AL	AL	AL
8	027.0008	PA	PA	PA	PA	PA
9	040.0050	GOMMA / TPU	RUBBER / TPU	CAOUTCHOUC TPU	GUMMI / TPU	GOMA / TPU
10	032.0004	OTTONE	BRASS	LAITON	MESSING	LATON
11	026.0032	PA	PA	PA	PA	PA

cod. 001.0019 ø 74

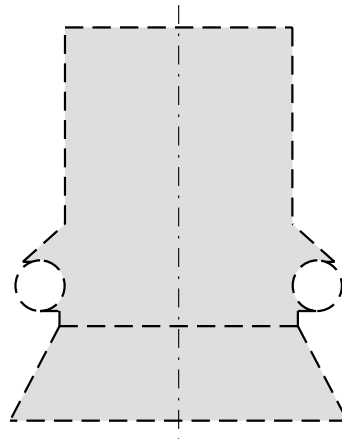
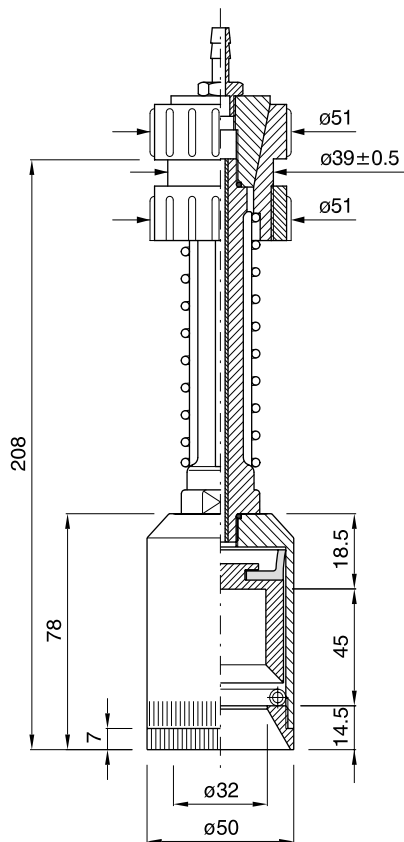


PROFILO INTERNO SCALA 1:1
INTERNAL SECTION SCALE 1:1
PROFIL INTERNE ECHELLE 1:1
INNENPROFIL MASSTAB 1:1
PERFIL INTERIOR ESCALA 1:1

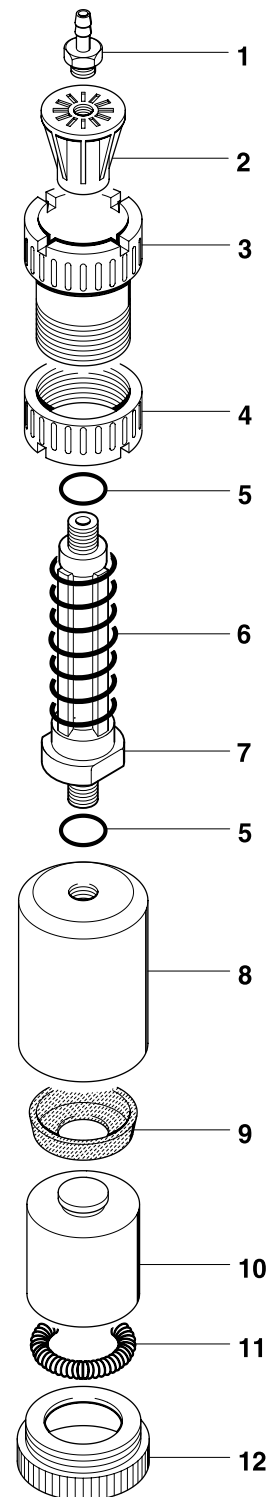


	COD.	MATERIALE	MATERIAL	MATERIEL	WERKSTOFF	MATERIAL
1	024.0001	OTTONE	BRASS	LAITON	MESSING	LATON
2	025.0001	PA	PA	PA	PA	PA
3	026.0001	PA	PA	PA	PA	PA
4	026.0011	PA	PA	PA	PA	PA
5	057.0033	GOMMA	RUBBER	CAOUTCHOUC	GUMMI	GOMA
6	029.0001	AISI	STAINLESS STEEL	ACIER INOXYDABLE	ROSTFREIER STAHL	ACERO INOXIDABLE
7	028.0005	AL	AL	AL	AL	AL
8	027.0008	PA	PA	PA	PA	PA
9	040.0050	GOMMA / TPU	RUBBER / TPU	CAOUTCHOUC TPU	GUMMI / TPU	GOMA / TPU
10	032.0004	OTTONE	BRASS	LAITON	MESSING	LATON
11	026.0036	PA	PA	PA	PA	PA

cod. 001.0012 ø 50

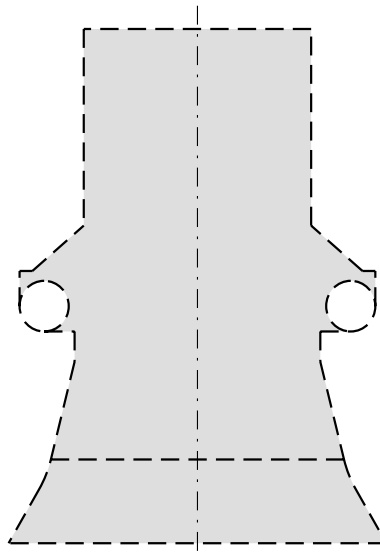
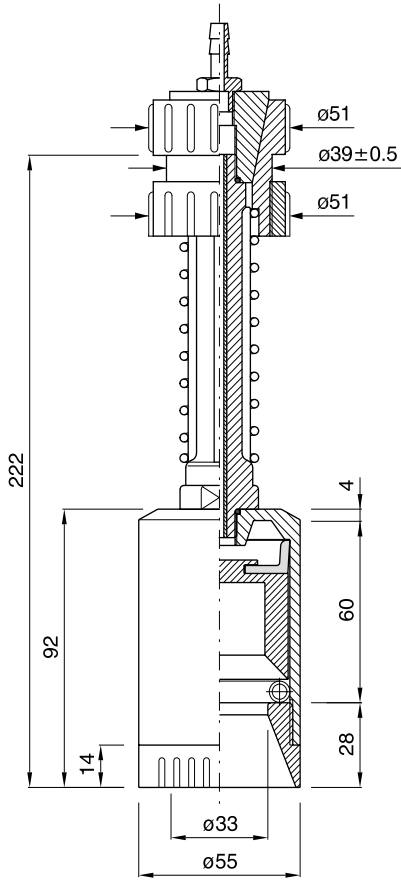


PROFILO INTERNO SCALA 1:1
INTERNAL SECTION SCALE 1:1
PROFIL INTERNE ECHELLE 1:1
INNENPROFIL MASSTAB 1:1
PERFIL INTERIOR ESCALA 1:1

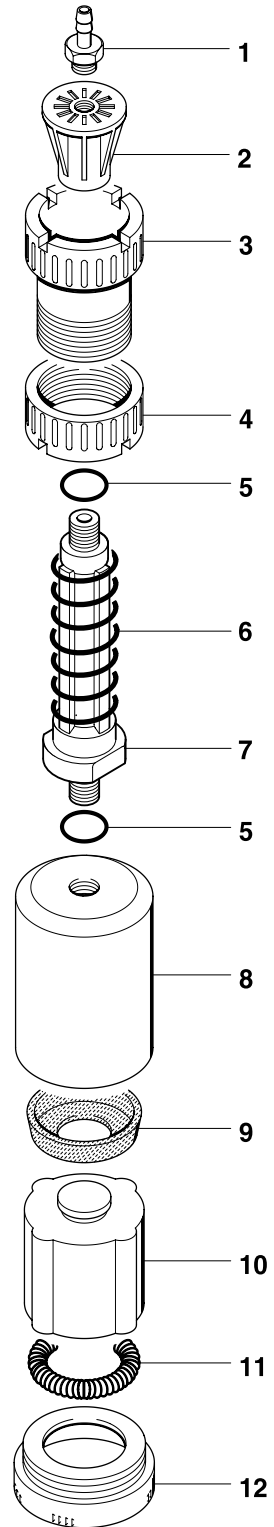


	COD.	MATERIALE	MATERIAL	MATERIEL	WERKSTOFF	MATERIAL
1	024.0001	OTTONE	BRASS	LAITON	MESSING	LATON
2	025.0001	PA	PA	PA	PA	PA
3	026.0001	PA	PA	PA	PA	PA
4	026.0011	PA	PA	PA	PA	PA
5	057.0033	GOMMA	RUBBER	CAOUTCHOUC	GUMMI	GOMA
6	029.0001	AISI	STAINLESS STEEL	ACIER INOXYDABLE	ROSTFREIER STAHL	ACERO INOXIDABLE
7	028.0001	PA	PA	PA	PA	PA
8	027.0014	PA	PA	PA	PA	PA
9	041.0003	GOMMA	RUBBER	CAOUTCHOUC	GUMMI	GOMA
10	031.0002	PA	PA	PA	PA	PA
11	029.0005	AISI	STAINLESS STEEL	ACIER INOXYDABLE	ROSTFREIER STAHL	ACERO INOXIDABLE
12	026.0038	PA	PA	PA	PA	PA

cod. 001.0013 ø 55

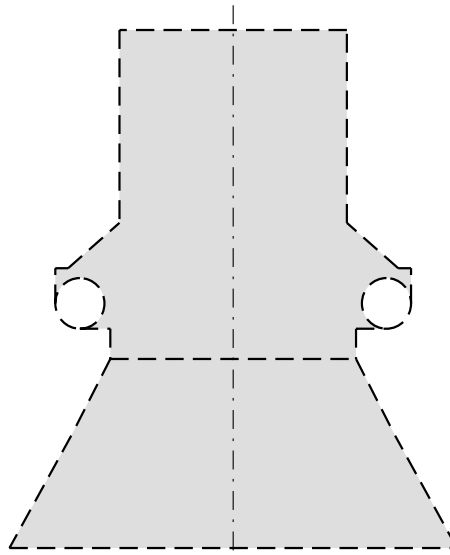
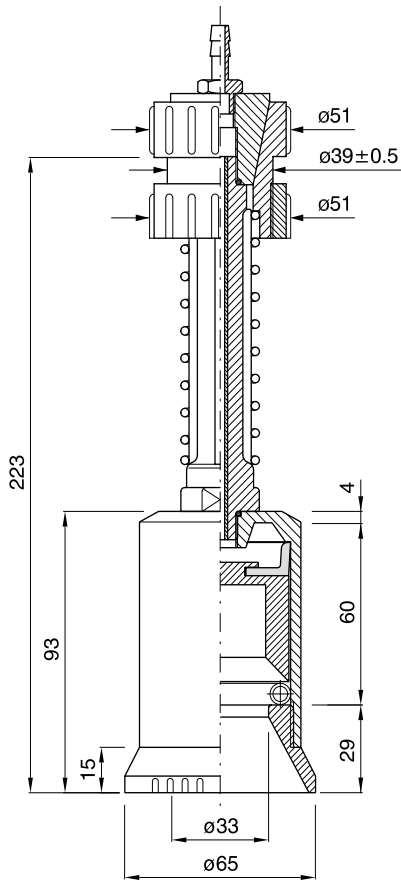


PROFILO INTERNO SCALA 1:1
INTERNAL SECTION SCALE 1:1
PROFIL INTERNE ECHELLE 1:1
INNENPROFIL MASSTAB 1:1
PERFIL INTERIOR ESCALA 1:1

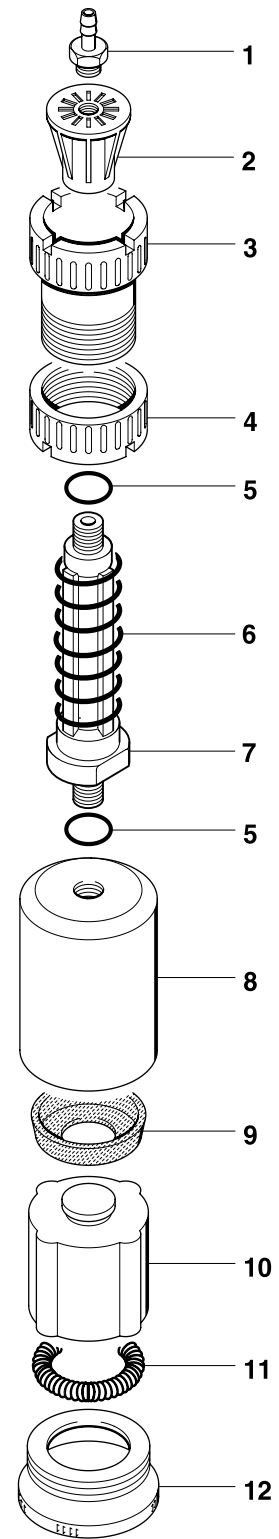


	COD.	MATERIALE	MATERIAL	MATERIEL	WERKSTOFF	MATERIAL
1	024.0001	OTTONE	BRASS	LAITON	MESSING	LATON
2	025.0001	PA	PA	PA	PA	PA
3	026.0001	PA	PA	PA	PA	PA
4	026.0011	PA	PA	PA	PA	PA
5	057.0033	GOMMA	RUBBER	CAOUTCHOUC	GUMMI	GOMA
6	029.0001	AISI	STAINLESS STEEL	ACIER INOXYDABLE	ROSTFREIER STAHL	ACERO INOXIDABLE
7	028.0001	PA	PA	PA	PA	PA
8	027.0015	PA	PA	PA	PA	PA
9	041.0001	GOMMA	RUBBER	CAOUTCHOUC	GUMMI	GOMA
10	031.0001	PA	PA	PA	PA	PA
11	029.0004	AISI	STAINLESS STEEL	ACIER INOXYDABLE	ROSTFREIER STAHL	ACERO INOXIDABLE
12	026.0039	PA	PA	PA	PA	PA

cod. 001.0014 ø 65

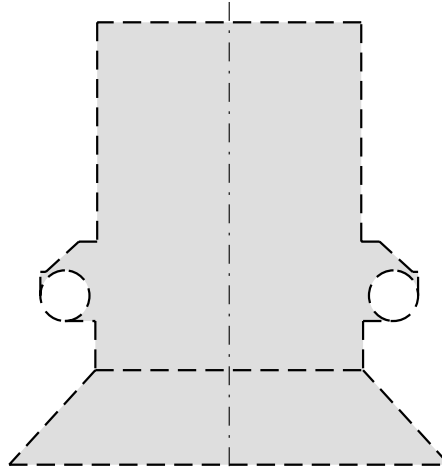
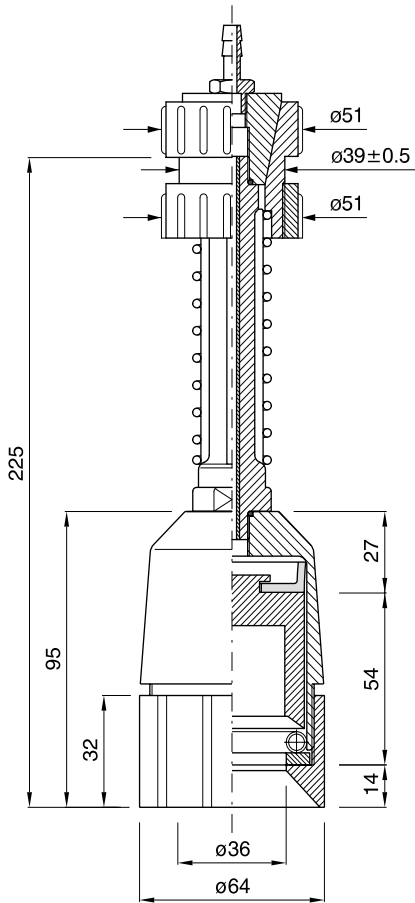


PROFILO INTERNO SCALA 1:1
INTERNAL SECTION SCALE 1:1
PROFIL INTERNE ECHELLE 1:1
INNENPROFIL MASSTAB 1:1
PERFIL INTERIOR ESCALA 1:1

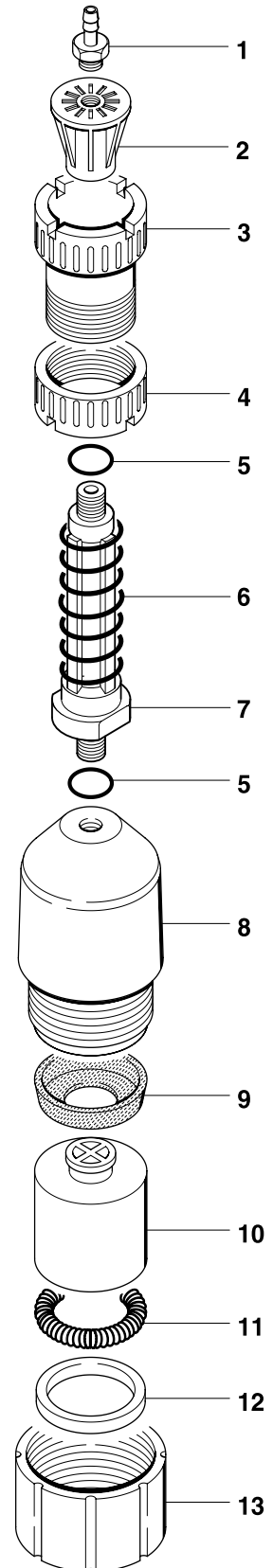


	COD.	MATERIALE	MATERIAL	MATERIEL	WERKSTOFF	MATERIAL
1	024.0001	OTTONE	BRASS	LAITON	MESSING	LATON
2	025.0001	PA	PA	PA	PA	PA
3	026.0001	PA	PA	PA	PA	PA
4	026.0011	PA	PA	PA	PA	PA
5	057.0033	GOMMA	RUBBER	CAOUTCHOUC	GUMMI	GOMA
6	029.0001	AISI	STAINLESS STEEL	ACIER INOXYDABLE	ROSTFREIER STAHL	ACERO INOXIDABLE
7	028.0001	PA	PA	PA	PA	PA
8	027.0015	PA	PA	PA	PA	PA
9	041.0001	GOMMA	RUBBER	CAOUTCHOUC	GUMMI	GOMA
10	031.0001	PA	PA	PA	PA	PA
11	029.0004	AISI	STAINLESS STEEL	ACIER INOXYDABLE	ROSTFREIER STAHL	ACERO INOXIDABLE
12	026.0040	PA	PA	PA	PA	PA

cod. 001.0024 ø 64



PROFILO INTERNO SCALA 1:1
 INTERNAL SECTION SCALE 1:1
 PROFIL INTERNE ECHELLE 1:1
 INNENPROFIL MASSTAB 1:1
 PERFIL INTERIOR ESCALA 1:1



	COD.	MATERIALE	MATERIAL	MATERIEL	WERKSTOFF	MATERIAL
1	024.0001	OTTONE	BRASS	LAITON	MESSING	LATON
2	025.0001	PA	PA	PA	PA	PA
3	026.0001	PA	PA	PA	PA	PA
4	026.0011	PA	PA	PA	PA	PA
5	057.0033	GOMMA	RUBBER	CAOUTCHOUC	GUMMI	GOMA
6	029.0001	AISI	STAINLESS STEEL	ACIER INOXYDABLE	ROSTFREIER STAHL	ACERO INOXIDABLE
7	028.0001	PA	PA	PA	PA	PA
8	027.0009	PA	PA	PA	PA	PA
9	041.0002	GOMMA	RUBBER	CAOUTCHOUC	GUMMI	GOMA
10	031.0006	PA	PA	PA	PA	PA
11	029.0004	AISI	STAINLESS STEEL	ACIER INOXYDABLE	ROSTFREIER STAHL	ACERO INOXIDABLE
12	032.0402	PA	PA	PA	PA	PA
13	026.0033	PA	PA	PA	PA	PA

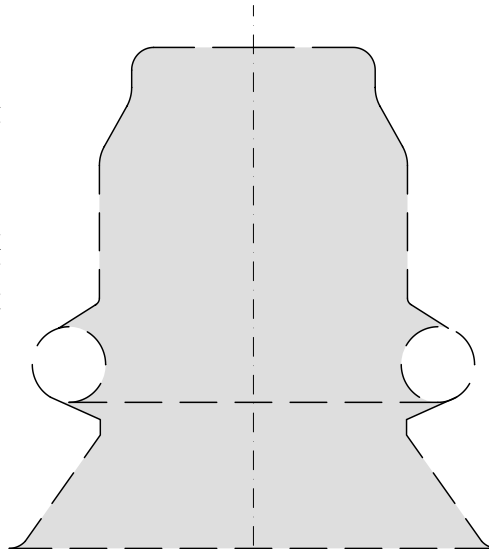
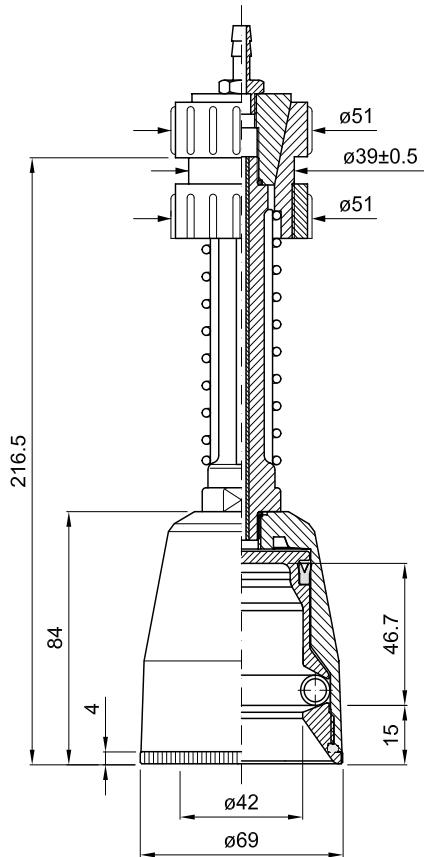
PICK-UP HEAD

TETE DE PREHENSION

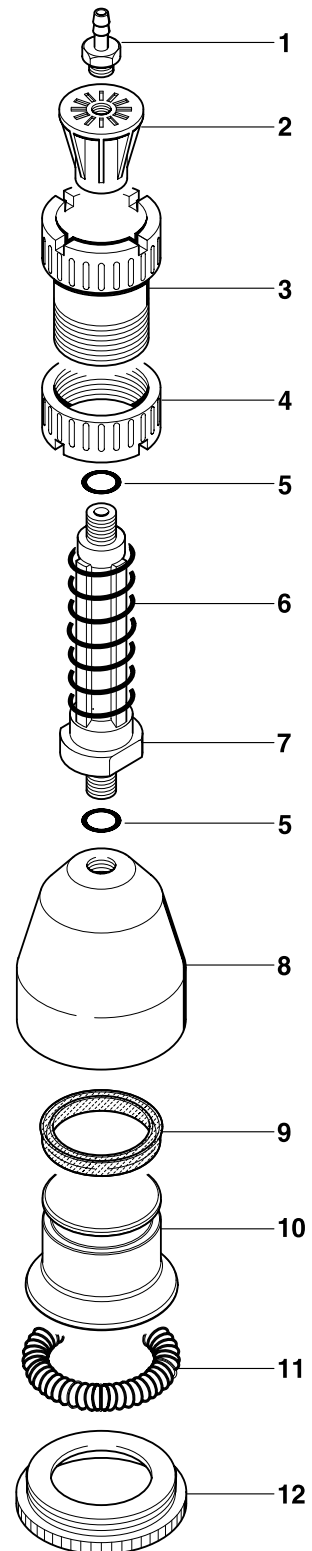
GREIFERKOPF

TULIPA

cod. 001.00111 ø 69

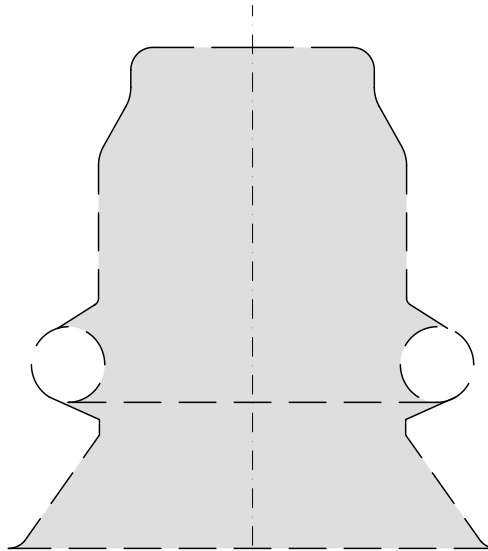
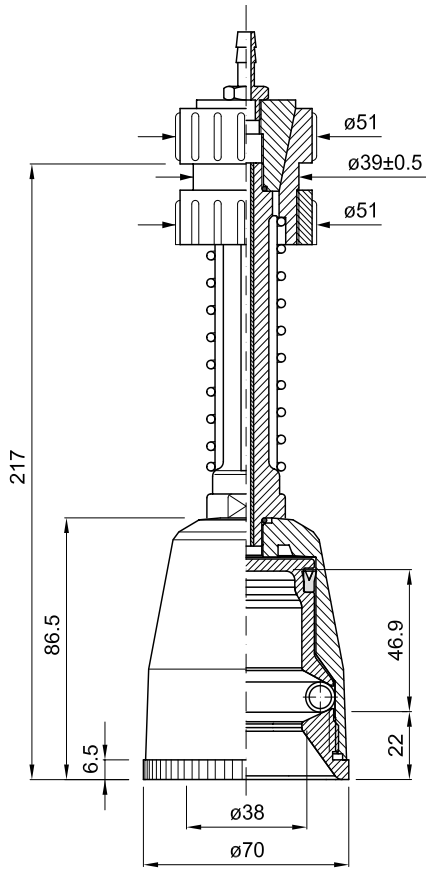


PROFILO INTERNO SCALA 1:1
INTERNAL SECTION SCALE 1:1
PROFIL INTERNE ECHELLE 1:1
INNENPROFIL MASSTAB 1:1
PERFIL INTERIOR ESCALA 1:1

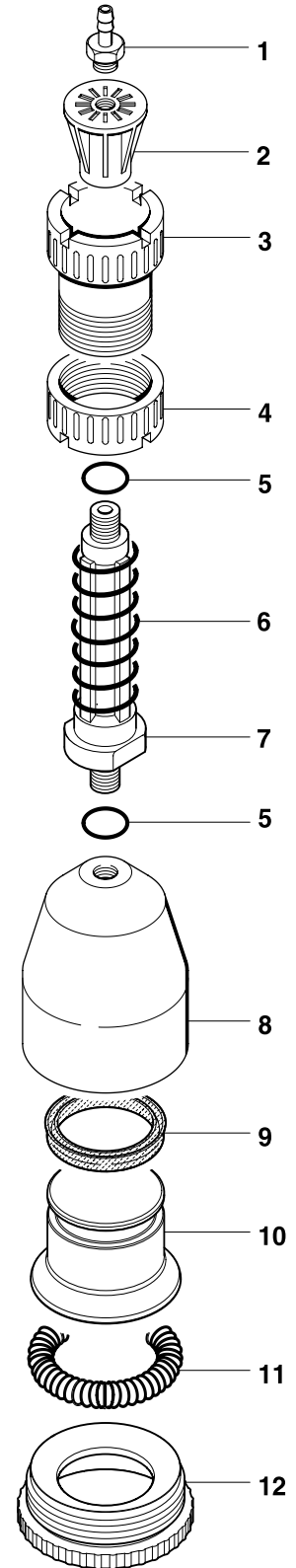


	COD.	MATERIALE	MATERIAL	MATERIEL	WERKSTOFF	MATERIAL
1	024.0001	OTTONE	BRASS	LAITON	MESSING	LATON
2	025.0001	PA	PA	PA	PA	PA
3	026.0001	PA	PA	PA	PA	PA
4	026.0011	PA	PA	PA	PA	PA
5	057.0033	GOMMA	RUBBER	CAOUTCHOUC	GUMMI	GOMA
6	029.0001	AISI	STAINLESS STEEL	ACIER INOXYDABLE	ROSTFREIER STAHL	ACERO INOXIDABLE
7	028.0001	PA	PA	PA	PA	PA
8	027.0013	PA	PA	PA	PA	PA
9	041.0053	TPU	TPU	TPU	TPU	TPU
10	031.0038	PA	PA	PA	PA	PA
11	029.0003	AISI	STAINLESS STEEL	ACIER INOXYDABLE	ROSTFREIER STAHL	ACERO INOXIDABLE
12	026.00371	POM	POM	POM	POM	POM

cod. 001.00201 ø 70

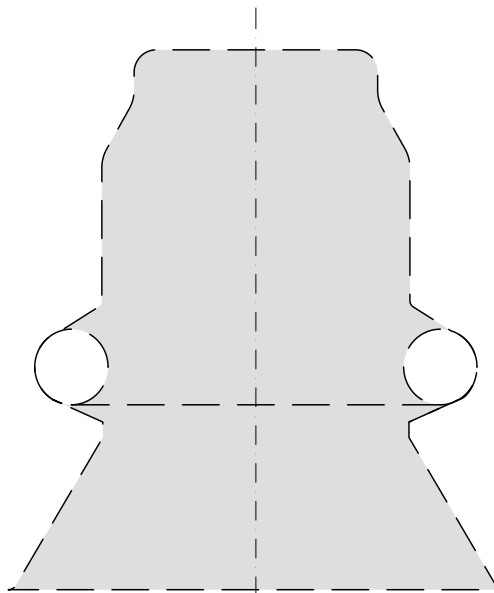
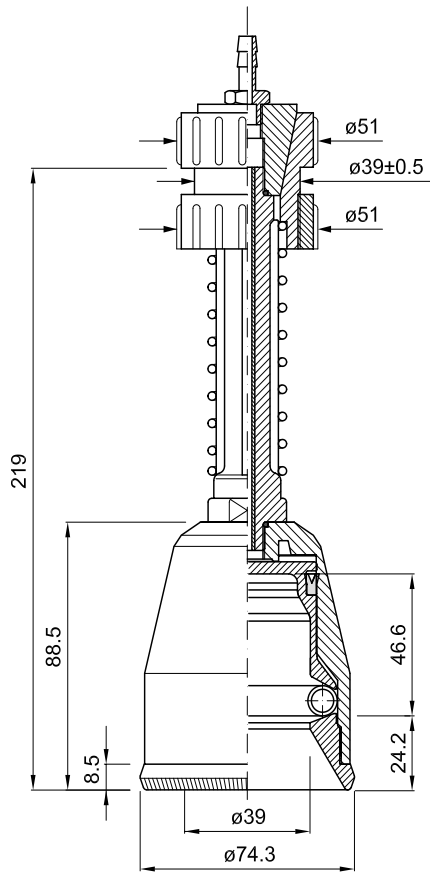


PROFILO INTERNO SCALA 1:1
INTERNAL SECTION SCALE 1:1
PROFIL INTERNE ECHELLE 1:1
INNENPROFIL MASSTAB 1:1
PERFIL INTERIOR ESCALA 1:1

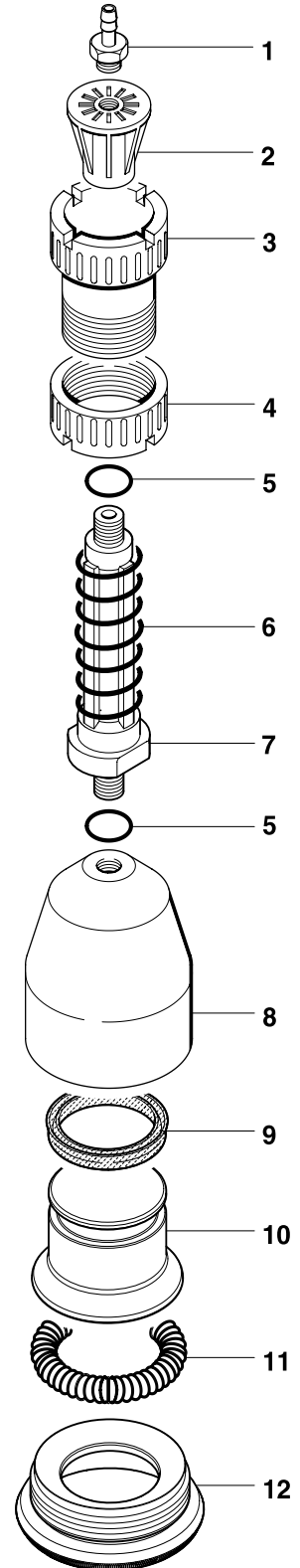


	COD.	MATERIALE	MATERIAL	MATERIEL	WERKSTOFF	MATERIAL
1	024.0001	OTTONE	BRASS	LAITON	MESSING	LATON
2	025.0001	PA	PA	PA	PA	PA
3	026.0001	PA	PA	PA	PA	PA
4	026.0011	PA	PA	PA	PA	PA
5	057.0033	GOMMA	RUBBER	CAOUTCHOUC	GUMMI	GOMA
6	029.0001	AISI	STAINLESS STEEL	ACIER INOXYDABLE	ROSTFREIER STAHL	ACERO INOXIDABLE
7	028.0001	PA	PA	PA	PA	PA
8	027.0013	PA	PA	PA	PA	PA
9	041.0053	TPU	TPU	TPU	TPU	TPU
10	031.0038	PA	PA	PA	PA	PA
11	029.0003	AISI	STAINLESS STEEL	ACIER INOXYDABLE	ROSTFREIER STAHL	ACERO INOXIDABLE
12	026.00441	PA	PA	PA	PA	PA

cod. 001.00211 ø 73

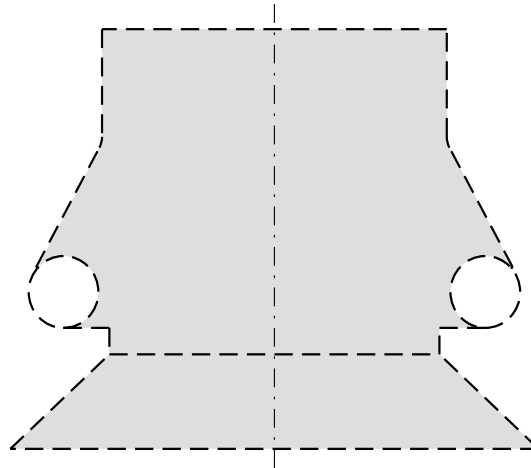
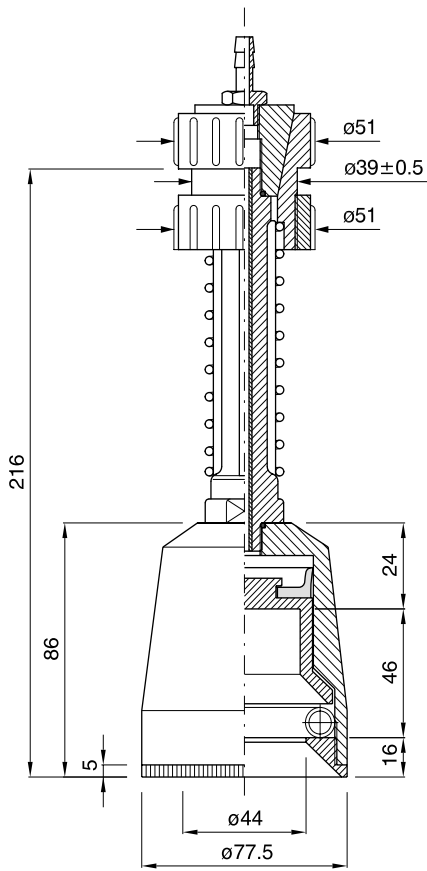


PROFILO INTERNO SCALA 1:1
INTERNAL SECTION SCALE 1:1
PROFIL INTERNE ECHELLE 1:1
INNENPROFIL MASSTAB 1:1
PERFIL INTERIOR ESCALA 1:1

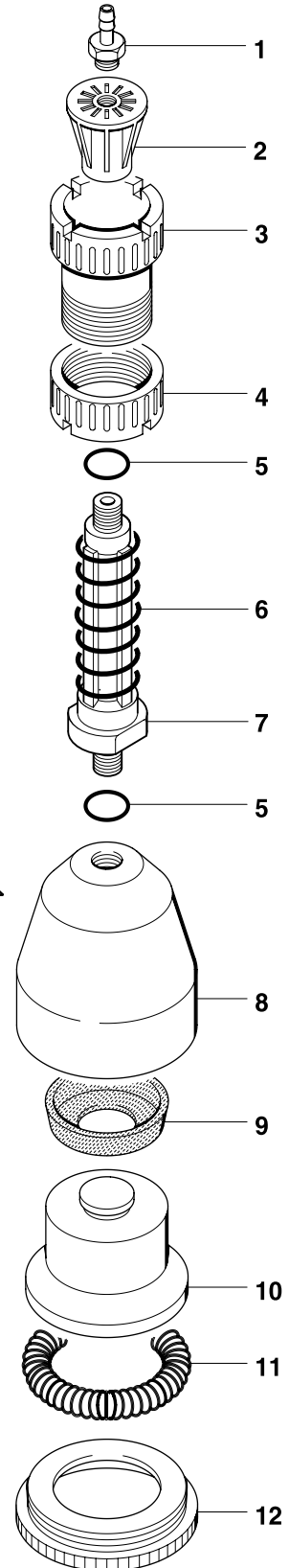


	COD.	MATERIALE	MATERIAL	MATERIEL	WERKSTOFF	MATERIAL
1	024.0001	OTTONE	BRASS	LAITON	MESSING	LATON
2	025.0001	PA	PA	PA	PA	PA
3	026.0001	PA	PA	PA	PA	PA
4	026.0011	PA	PA	PA	PA	PA
5	057.0033	GOMMA	RUBBER	CAOUTCHOUC	GUMMI	GOMA
6	029.0001	AISI	STAINLESS STEEL	ACIER INOXYDABLE	ROSTFREIER STAHL	ACERO INOXIDABLE
7	028.0001	PA	PA	PA	PA	PA
8	027.0013	PA	PA	PA	PA	PA
9	041.0053	TPU	TPU	TPU	TPU	TPU
10	031.0038	PA	PA	PA	PA	PA
11	029.0003	AISI	STAINLESS STEEL	ACIER INOXYDABLE	ROSTFREIER STAHL	ACERO INOXIDABLE
12	026.00451	PA	PA	PA	PA	PA

cod. 001.0027 ø 77,5

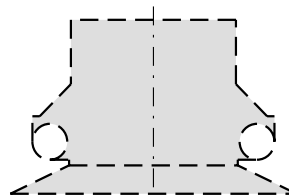
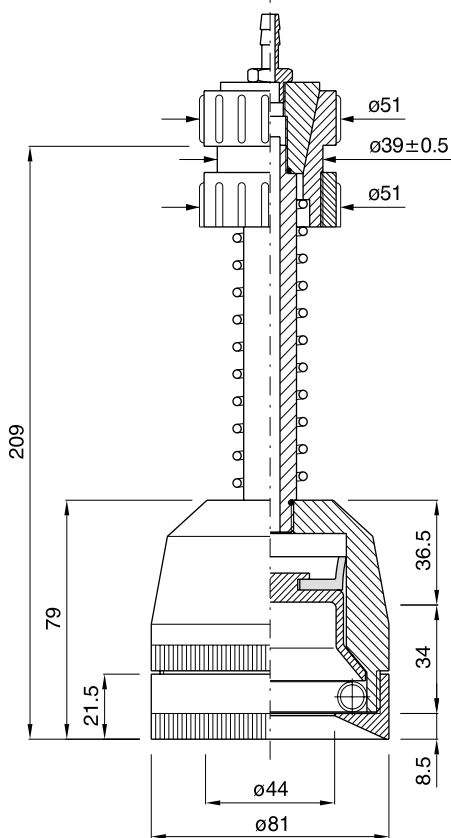


PROFILO INTERNO SCALA 1:1
INTERNAL SECTION SCALE 1:1
PROFIL INTERNE ECHELLE 1:1
INNENPROFIL MASSTAB 1:1
PERFIL INTERIOR ESCALA 1:1

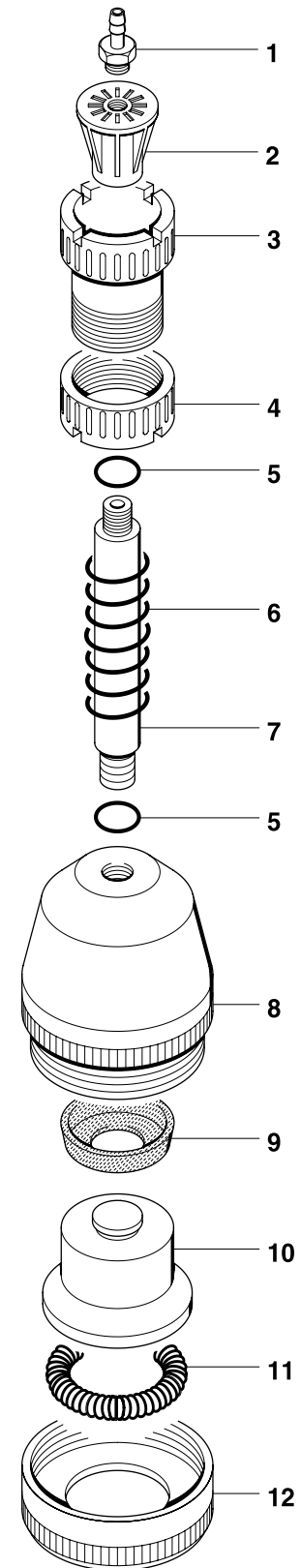


	COD.	MATERIALE	MATERIAL	MATERIEL	WERKSTOFF	MATERIAL
1	024.0001	OTTONE	BRASS	LAITON	MESSING	LATON
2	025.0001	PA	PA	PA	PA	PA
3	026.0001	PA	PA	PA	PA	PA
4	026.0011	PA	PA	PA	PA	PA
5	057.0033	GOMMA	RUBBER	CAOUTCHOUC	GUMMI	GOMA
6	029.0001	AISI	STAINLESS STEEL	ACIER INOXYDABLE	ROSTFREIER STAHL	ACERO INOXIDABLE
7	028.0001	AL	AL	AL	AL	AL
8	027.0021	PA	PA	PA	PA	PA
9	041.0002	GOMMA	RUBBER	CAOUTCHOUC	GUMMI	GOMA
10	031.0007	PA	PA	PA	PA	PA
11	029.0006	AISI	STAINLESS STEEL	ACIER INOXYDABLE	ROSTFREIER STAHL	ACERO INOXIDABLE
12	026.0050	PA	PA	PA	PA	PA

cod. 001.0032 ø 81

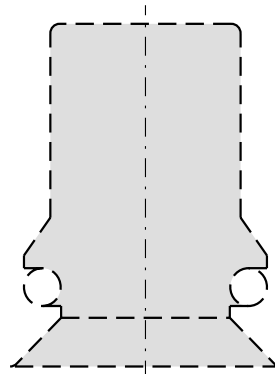
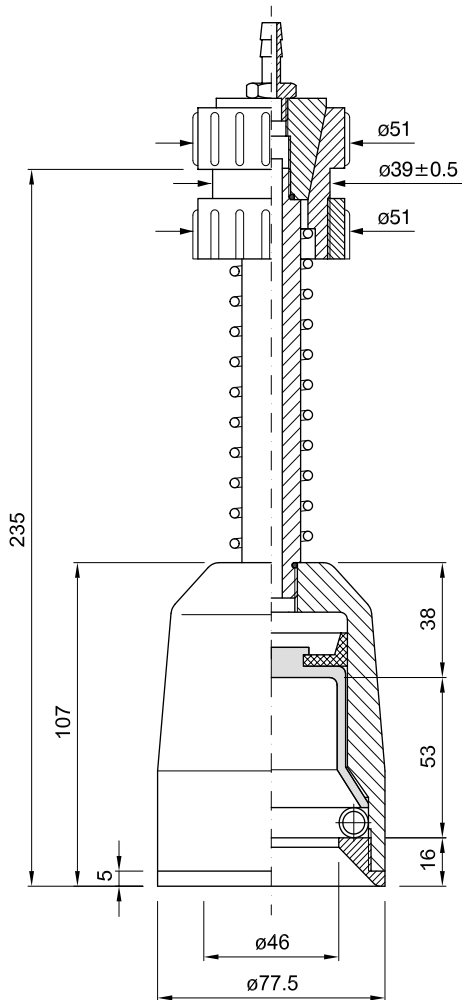


PROFILO INTERNO SCALA 1:2
INTERNAL SECTION SCALE 1:2
PROFIL INTERNE ECHELLE 1:2
INNENPROFIL MASSTAB 1:2
PERFIL INTERIOR ESCALA 1:2

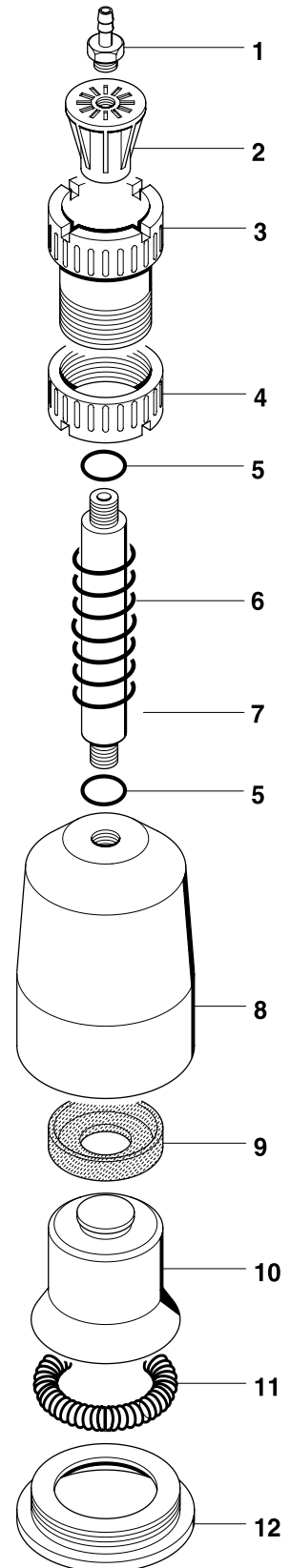


	COD.	MATERIALE	MATERIAL	MATERIEL	WERKSTOFF	MATERIAL
1	024.0001	OTTONE	BRASS	LAITON	MESSING	LATON
2	025.0001	PA	PA	PA	PA	PA
3	026.0001	PA	PA	PA	PA	PA
4	026.0011	PA	PA	PA	PA	PA
5	057.0033	GOMMA	RUBBER	CAOUTCHOUC	GUMMI	GOMA
6	029.0001	AISI	STAINLESS STEEL	ACIER INOXYDABLE	ROSTFREIER STAHL	ACERO INOXIDABLE
7	028.0006	AL	AL	AL	AL	AL
8	027.0026	PA	PA	PA	PA	PA
9	041.0002	GOMMA	RUBBER	CAOUTCHOUC	GUMMI	GOMA
10	031.0008	PA	PA	PA	PA	PA
11	029.0006	AISI	STAINLESS STEEL	ACIER INOXYDABLE	ROSTFREIER STAHL	ACERO INOXIDABLE
12	026.0055	AL	AL	AL	AL	AL

cod. 001.0053 ø 77,5

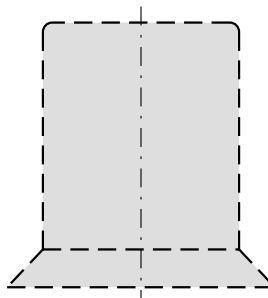
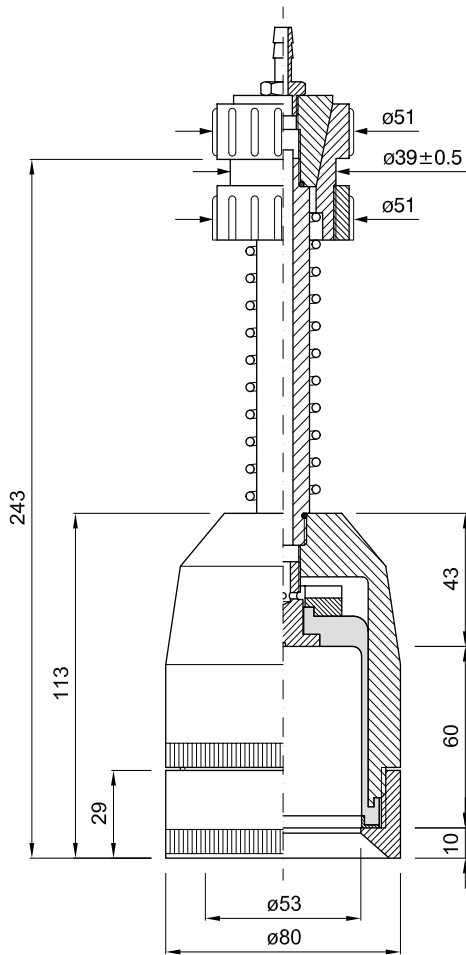


PROFILO INTERNO SCALA 1:2
 INTERNAL SECTION SCALE 1:2
 PROFIL INTERNE ECHELLE 1:2
 INNENPROFIL MASSTAB 1:2
 PERFIL INTERIOR ESCALA 1:2

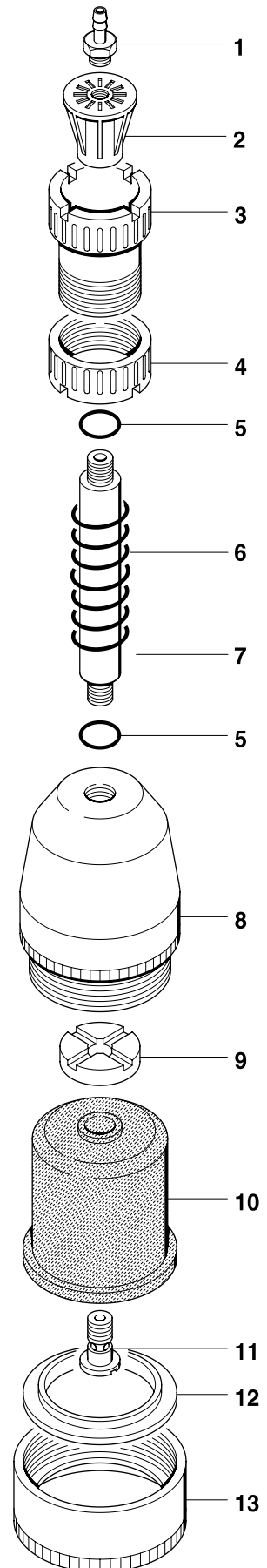


	COD.	MATERIALE	MATERIAL	MATERIEL	WERKSTOFF	MATERIAL
1	024.0001	OTTONE	BRASS	LAITON	MESSING	LATON
2	025.0001	PA	PA	PA	PA	PA
3	026.0001	PA	PA	PA	PA	PA
4	026.0011	PA	PA	PA	PA	PA
5	057.0033	GOMMA	RUBBER	CAOUTCHOUC	GUMMI	GOMA
6	029.0001	AISI	STAINLESS STEEL	ACIER INOXYDABLE	ROSTFREIER STAHL	ACERO INOXIDABLE
7	028.0001	AL	AL	AL	AL	AL
8	027.0044	PA	PA	PA	PA	PA
9	041.0002	GOMMA	RUBBER	CAOUTCHOUC	GUMMI	GOMA
10	031.0011	PA	PA	PA	PA	PA
11	029.0006	AISI	STAINLESS STEEL	ACIER INOXYDABLE	ROSTFREIER STAHL	ACERO INOXIDABLE
12	026.0087	INOX	INOX	INOX	INOX	INOX

cod. 001.0023 ø 80



PROFILO INTERNO SCALA 1:2
INTERNAL SECTION SCALE 1:2
PROFIL INTERNE ECHELLE 1:2
INNENPROFIL MASSTAB 1:2
PERFIL INTERIOR ESCALA 1:2



	COD.	MATERIALE	MATERIAL	MATERIEL	WERKSTOFF	MATERIAL
1	024.0001	OTTONE	BRASS	LAITON	MESSING	LATON
2	025.0001	PA	PA	PA	PA	PA
3	026.0001	PA	PA	PA	PA	PA
4	026.0011	PA	PA	PA	PA	PA
5	057.0033	GOMMA	RUBBER	CAOUTCHOUC	GUMMI	GOMA
6	029.0001	AISI	STAINLESS STEEL	ACIER INOXYDABLE	ROSTFREIER STAHL	ACERO INOXIDABLE
7	028.0001	AL	AL	AL	AL	AL
8	027.0019	PA	PA	PA	PA	PA
9	032.0203	PA	PA	PA	PA	PA
10	040.0052	GOMMA / TPU	RUBBER / TPU	CAOUTCHOUC TPU	GUMMI / TPU	GOMA / TPU
11	032.0005	OTTONE	BRASS	LAITON	MESSING	LATON
12	032.0401	AISI	STAINLESS STEEL	ACIER INOXYDABLE	ROSTFREIER STAHL	ACERO INOXIDABLE
13	026.0047	PA	PA	PA	PA	PA

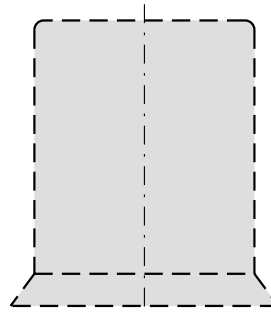
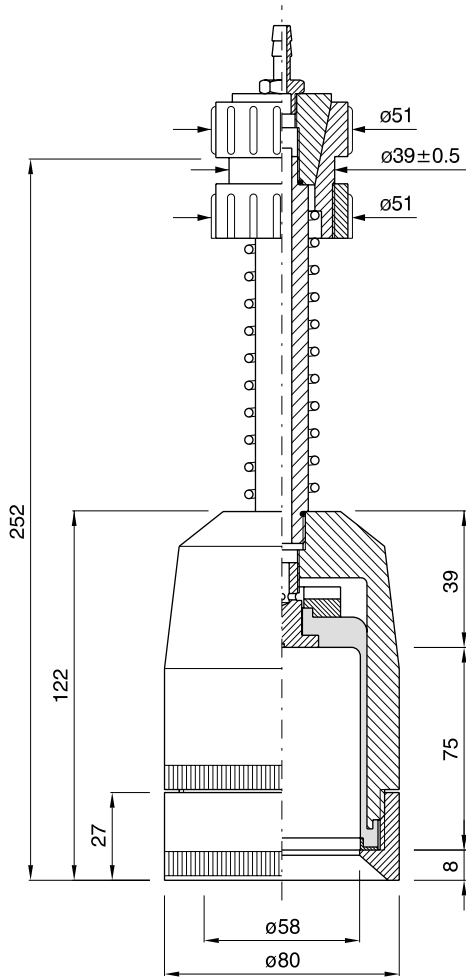
PICK-UP HEAD

TETE DE PREHENSION

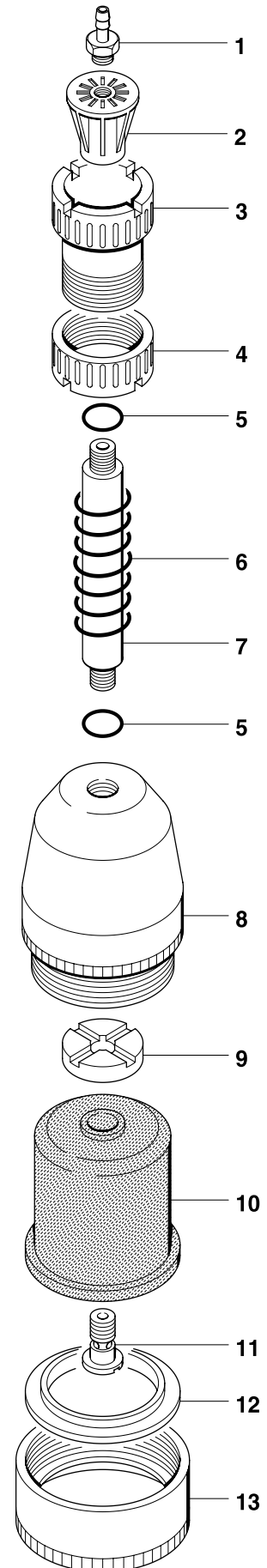
GREIFERKOPF

TULIPA

cod. 001.0022 ø 80

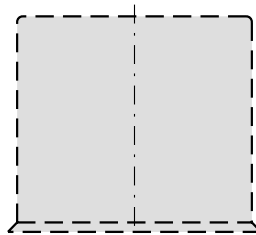
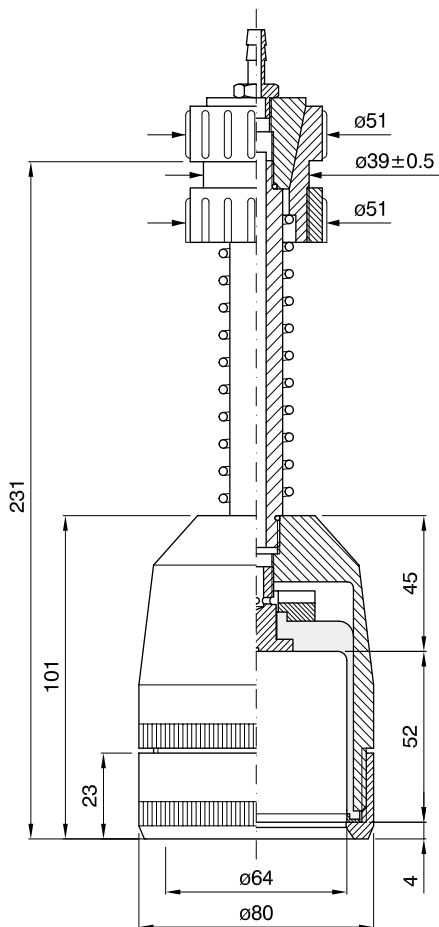


PROFILO INTERNO SCALA 1:2
INTERNAL SECTION SCALE 1:2
PROFIL INTERNE ECHELLE 1:2
INNENPROFIL MASSTAB 1:2
PERFIL INTERIOR ESCALA 1:2

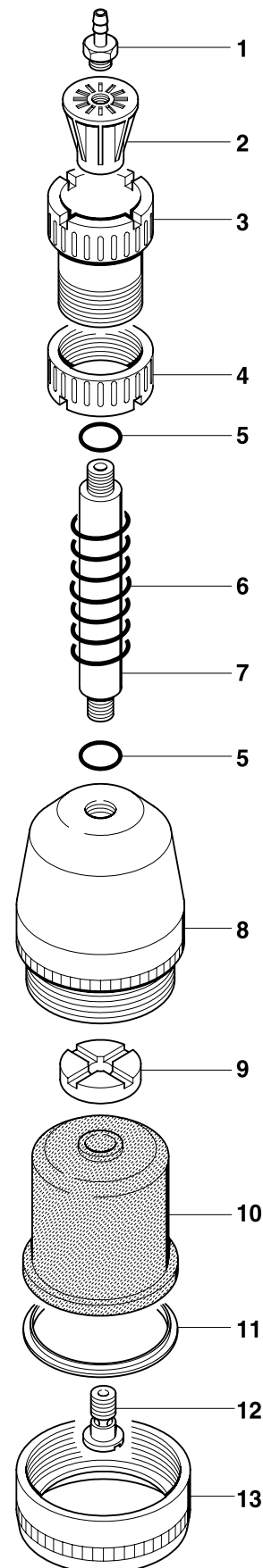


	COD.	MATERIALE	MATERIAL	MATERIEL	WERKSTOFF	MATERIAL
1	024.0001	OTTONE	BRASS	LAITON	MESSING	LATON
2	025.0001	PA	PA	PA	PA	PA
3	026.0001	PA	PA	PA	PA	PA
4	026.0011	PA	PA	PA	PA	PA
5	057.0033	GOMMA	RUBBER	CAOUTCHOUC	GUMMI	GOMA
6	029.0001	AISI	STAINLESS STEEL	ACIER INOXYDABLE	ROSTFREIER STAHL	ACERO INOXIDABLE
7	028.0006	AL	AL	AL	AL	AL
8	027.0018	PA	PA	PA	PA	PA
9	032.0203	PA	PA	PA	PA	PA
10	040.0051	GOMMA / TPU	RUBBER / TPU	CAOUTCHOUC TPU	GUMMI / TPU	GOMA / TPU
11	032.0005	OTTONE	BRASS	LAITON	MESSING	LATON
12	032.0400	AISI	STAINLESS STEEL	ACIER INOXYDABLE	ROSTFREIER STAHL	ACERO INOXIDABLE
13	026.0046	PA	PA	PA	PA	PA

cod. 001.0031 ø 80



PROFILO INTERNO SCALA 1:2
INTERNAL SECTION SCALE 1:2
PROFIL INTERNE ECHELLE 1:2
INNENPROFIL MASSTAB 1:2
PERFIL INTERIOR ESCALA 1:2



	COD.	MATERIALE	MATERIAL	MATERIEL	WERKSTOFF	MATERIAL
1	024.0001	OTTONE	BRASS	LAITON	MESSING	LATON
2	025.0001	PA	PA	PA	PA	PA
3	026.0001	PA	PA	PA	PA	PA
4	026.0011	PA	PA	PA	PA	PA
5	057.0033	GOMMA	RUBBER	CAOUTCHOUC	GUMMI	GOMA
6	029.0001	AISI	STAINLESS STEEL	ACIER INOXYDABLE	ROSTFREIER STAHL	ACERO INOXIDABLE
7	028.0006	AL	AL	AL	AL	AL
8	027.0025	PA	PA	PA	PA	PA
9	032.0203	PA	PA	PA	PA	PA
10	040.00641	GOMMA	RUBBER	CAOUTCHOUC	GUMMI	GOMA
11	032.0417	AISI	STAINLESS STEEL	ACIER INOXYDABLE	ROSTFREIER STAHL	ACERO INOXIDABLE
12	032.0005	OTTONE	BRASS	LAITON	MESSING	LATON
13	026.0054	AL	AL	AL	AL	AL

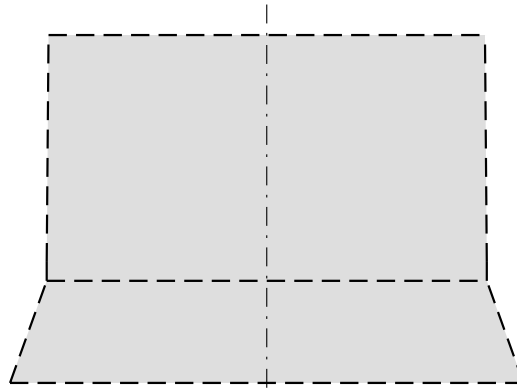
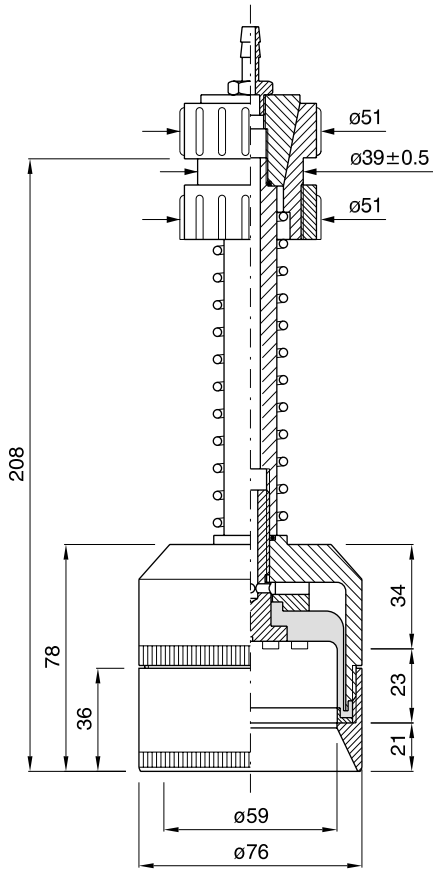
PICK-UP HEAD

TETE DE PREHENSION

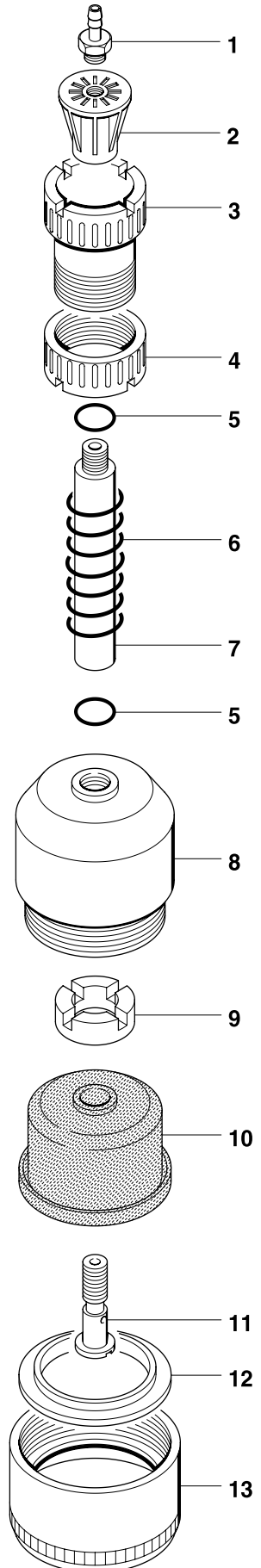
GREIFERKOPF

TULIPA

cod. 001.0036 ø 76

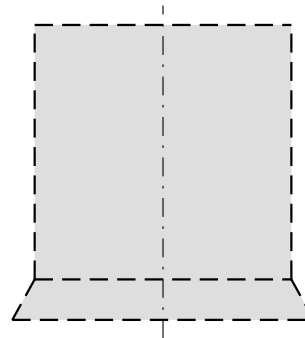
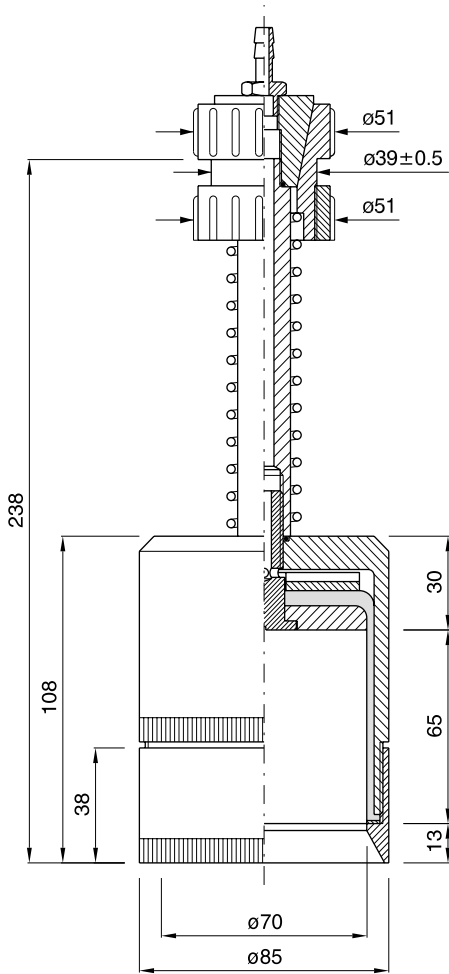


PROFILO INTERNO SCALA 1:1
INTERNAL SECTION SCALE 1:1
PROFIL INTERNE ECHELLE 1:1
INNENPROFIL MASSTAB 1:1
PERFIL INTERIOR ESCALA 1:1

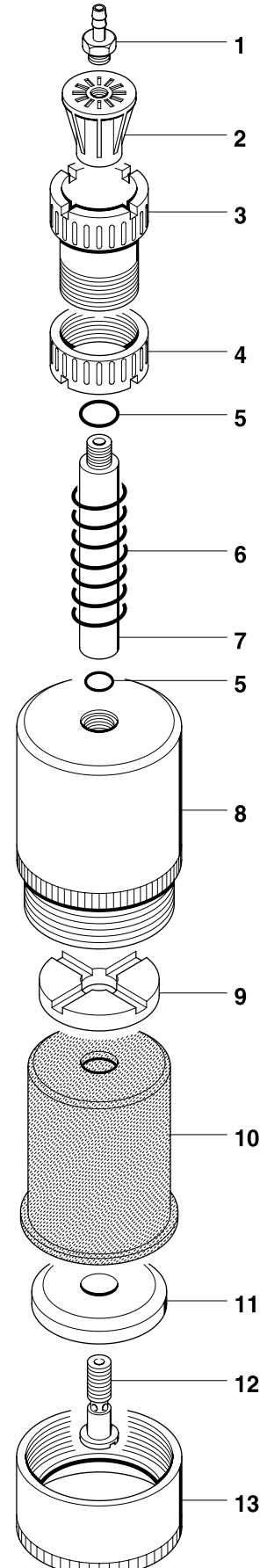


	COD.	MATERIALE	MATERIAL	MATERIEL	WERKSTOFF	MATERIAL
1	024.0001	OTTONE	BRASS	LAITON	MESSING	LATON
2	025.0001	PA	PA	PA	PA	PA
3	026.0001	PA	PA	PA	PA	PA
4	026.0011	PA	PA	PA	PA	PA
5	057.0033	GOMMA	RUBBER	CAOUTCHOUC	GUMMI	GOMA
6	029.0001	AISI	STAINLESS STEEL	ACIER INOXYDABLE	ROSTFREIER STAHL	ACERO INOXIDABLE
7	028.0008	AL	AL	AL	AL	AL
8	027.0029	PA	PA	PA	PA	PA
9	032.0209	PA	PA	PA	PA	PA
10	040.0082	GOMMA	RUBBER	CAOUTCHOUC	GUMMI	GOMA
11	032.0010	AISI	STAINLESS STEEL	ACIER INOXYDABLE	ROSTFREIER STAHL	ACERO INOXIDABLE
12	032.0404	AISI	STAINLESS STEEL	ACIER INOXYDABLE	ROSTFREIER STAHL	ACERO INOXIDABLE
13	026.0058	PA	PA	PA	PA	PA

cod. 001.0041 ø 85



PROFILO INTERNO SCALA 1:2
INTERNAL SECTION SCALE 1:2
PROFIL INTERNE ECHELLE 1:2
INNENPROFIL MASSTAB 1:2
PERFIL INTERIOR ESCALA 1:2



	COD.	MATERIALE	MATERIAL	MATERIEL	WERKSTOFF	MATERIAL
1	024.0001	OTTONE	BRASS	LAITON	MESSING	LATON
2	025.0001	PA	PA	PA	PA	PA
3	026.0001	PA	PA	PA	PA	PA
4	026.0011	PA	PA	PA	PA	PA
5	057.0033	GOMMA	RUBBER	CAOUTCHOUC	GUMMI	GOMA
6	029.0001	AISI	STAINLESS STEEL	ACIER INOXYDABLE	ROSTFREIER STAHL	ACERO INOXIDABLE
7	028.0008	AL	AL	AL	AL	AL
8	027.0034	PA	PA	PA	PA	PA
9	032.0211	PA	PA	PA	PA	PA
10	040.0079	GOMMA	RUBBER	CAOUTCHOUC	GUMMI	GOMA
11	030.0010	PA	PA	PA	PA	PA
12	032.0011	OTTONE	BRASS	LAITON	MESSING	LATON
13	026.0062	AL	AL	AL	AL	AL

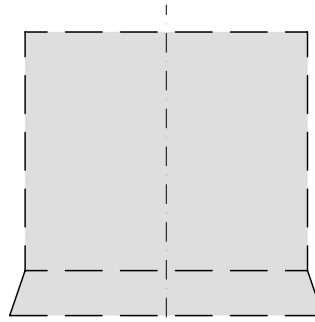
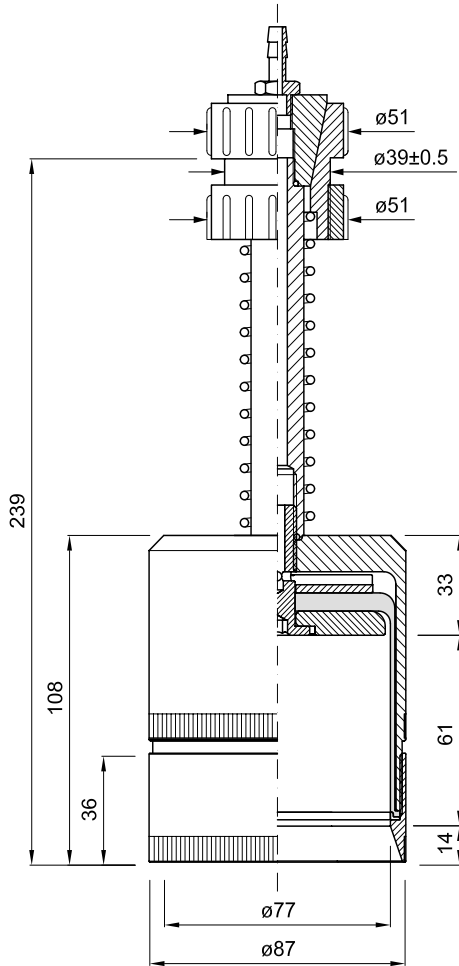
PICK-UP HEAD

TETE DE PREHENSION

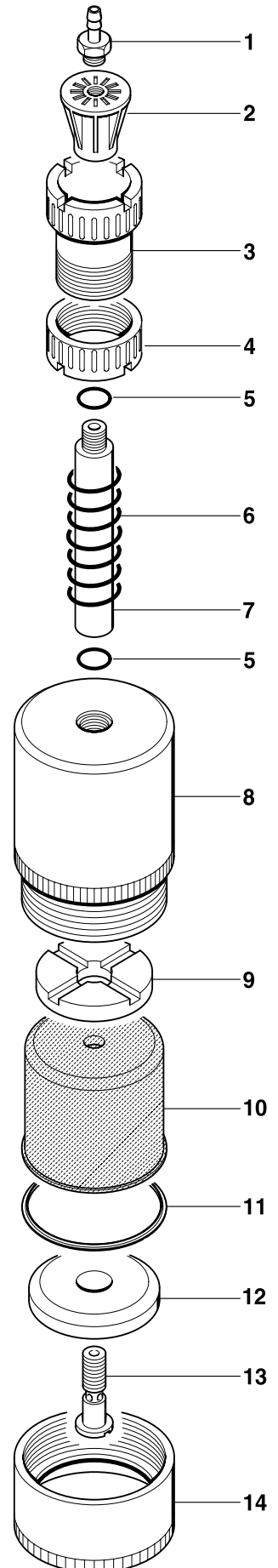
GREIFERKOPF

TULIPA

cod. 001.0049 ø 87



PROFILO INTERNO SCALA 1:2
INTERNAL SECTION SCALE 1:2
PROFIL INTERNE ECHELLE 1:2
INNENPROFIL MASSTAB 1:2
PERFIL INTERIOR ESCALA 1:2



	COD.	MATERIALE	MATERIAL	MATERIEL	WERKSTOFF	MATERIAL
1	024.0001	OTTONE	BRASS	LAITON	MESSING	LATON
2	025.0001	PA	PA	PA	PA	PA
3	026.0001	PA	PA	PA	PA	PA
4	026.0011	PA	PA	PA	PA	PA
5	057.0033	GOMMA	RUBBER	CAOUTCHOUC	GUMMI	GOMA
6	029.0001	AISI	STAINLESS STEEL	ACIER INOXYDABLE	ROSTFREIER STAHL	ACERO INOXIDABLE
7	028.0008	AL	AL	AL	AL	AL
8	027.0040	PA	PA	PA	PA	PA
9	032.0211	PA	PA	PA	PA	PA
10	040.00361	GOMMA	RUBBER	CAOUTCHOUC	GUMMI	GOMA
11	032.0422	AISI	STAINLESS STEEL	ACIER INOXYDABLE	ROSTFREIER STAHL	ACERO INOXIDABLE
12	030.0022	PA	PA	PA	PA	PA
13	032.0011	OTTONE	BRASS	LAITON	MESSING	LATON
14	026.0082	AL	AL	AL	AL	AL

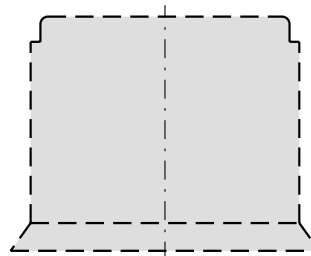
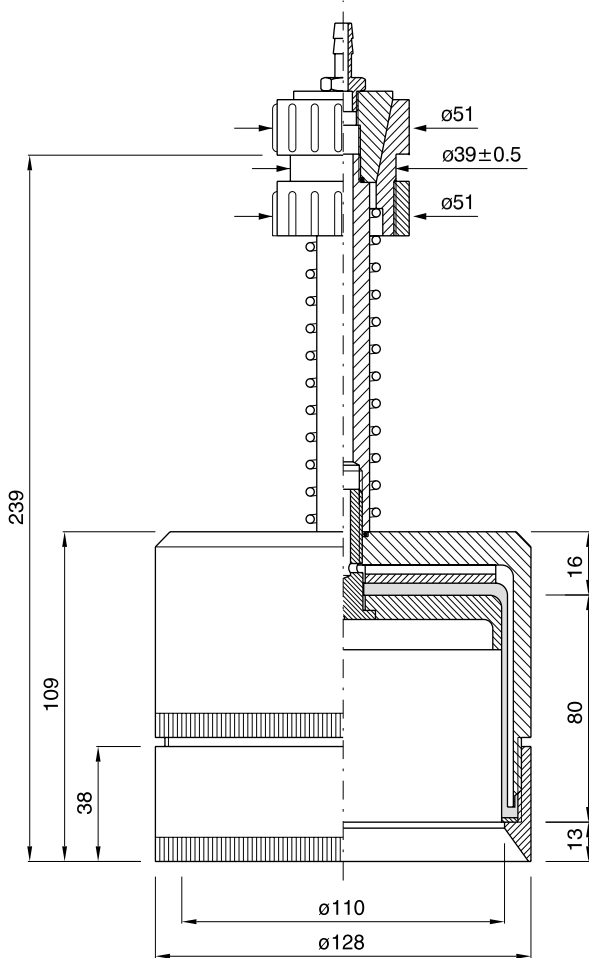
PICK-UP HEAD

TETE DE PREHENSION

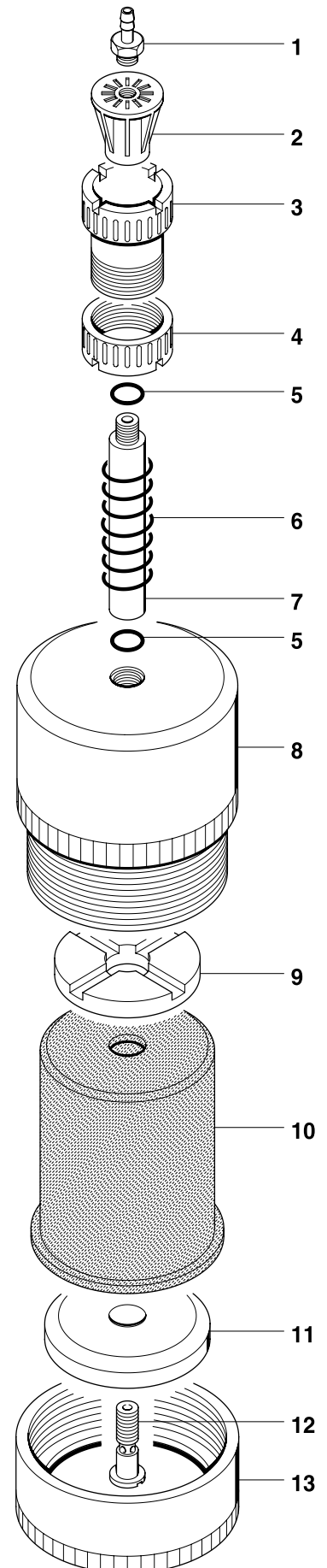
GREIFERKOPF

TULIPA

cod. 001.0046 ø 128

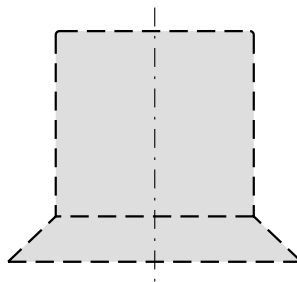
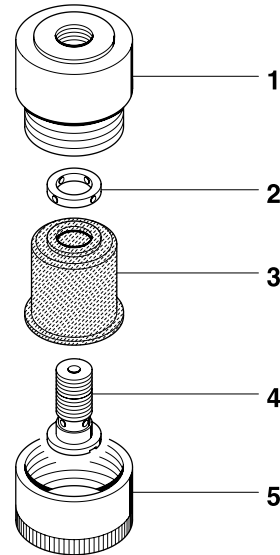
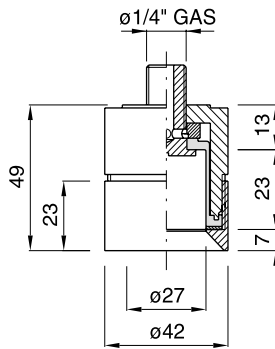


PROFILO INTERNO SCALA 1:3
INTERNAL SECTION SCALE 1:3
PROFIL INTERNE ECHELLE 1:3
INNENPROFIL MASSTAB 1:3
PERFIL INTERIOR ESCALA 1:3



	COD.	MATERIALE	MATERIAL	MATERIEL	WERKSTOFF	MATERIAL
1	024.0001	OTTONE	BRASS	LAITON	MESSING	LATON
2	025.0001	PA	PA	PA	PA	PA
3	026.0001	PA	PA	PA	PA	PA
4	026.0011	PA	PA	PA	PA	PA
5	057.0033	GOMMA	RUBBER	CAOUTCHOUC	GUMMI	GOMA
6	029.0001	AISI	STAINLESS STEEL	ACIER INOXYDABLE	ROSTFREIER STAHL	ACERO INOXIDABLE
7	028.0008	AL	AL	AL	AL	AL
8	027.0037	PA	PA	PA	PA	PA
9	032.0213	PA	PA	PA	PA	PA
10	040.0101	GOMMA	RUBBER	CAOUTCHOUC	GUMMI	GOMA
11	030.0019	PA	PA	PA	PA	PA
12	032.0011	OTTONE	BRASS	LAITON	MESSING	LATON
13	026.0075	AL	AL	AL	AL	AL

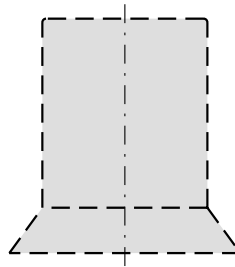
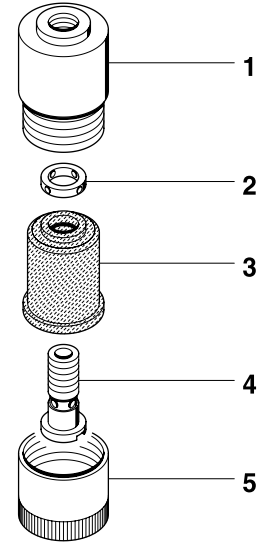
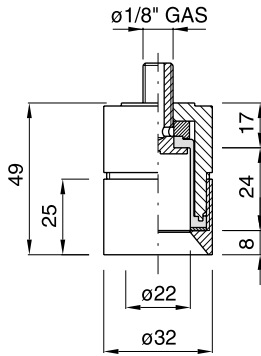
cod. 001.0016 \varnothing 42



PROFILO INTERNO SCALA 1:1
 INTERNAL SECTION SCALE 1:1
 PROFIL INTERNE ECHELLE 1:1
 INNENPROFIL MASSTAB 1:1
 PERFIL INTERIOR ESCALA 1:1

	COD.	MATERIALE	MATERIAL	MATERIEL	WERKSTOFF	MATERIAL
1	027.0016	PA	PA	PA	PA	PA
2	032.0200	PA	PA	PA	PA	PA
3	040.0048	GOMMA	RUBBER	CAOUTCHOUC	GUMMI	GOMA
4	032.0002	OTTONE	BRASS	LAITON	MESSING	LATON
5	026.0042	AL	AL	AL	AL	AL

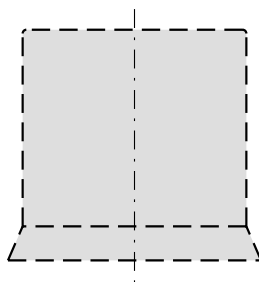
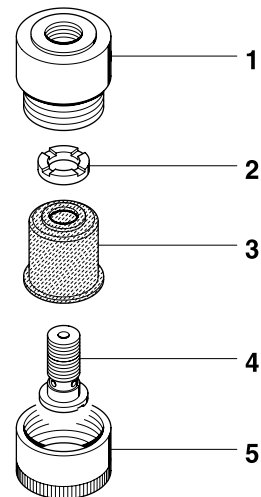
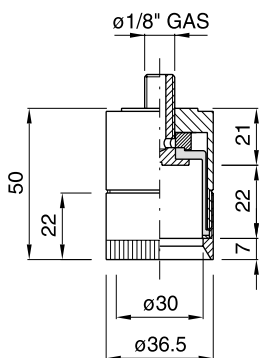
cod. 001.0017 ø 32



PROFILO INTERNO SCALA 1:1
INTERNAL SECTION SCALE 1:1
PROFIL INTERNE ECHELLE 1:1
INNENPROFIL MASSTAB 1:1
PERFIL INTERIOR ESCALA 1:1

	COD.	MATERIALE	MATERIAL	MATERIEL	WERKSTOFF	MATERIAL
1	027.0017	PA	PA	PA	PA	PA
2	032.0201	PA	PA	PA	PA	PA
3	040.0047	GOMMA	RUBBER	CAOUTCHOUC	GUMMI	GOMA
4	032.0003	OTTONE	BRASS	LAITON	MESSING	LATON
5	026.0043	AL	AL	AL	AL	AL

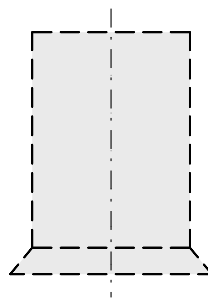
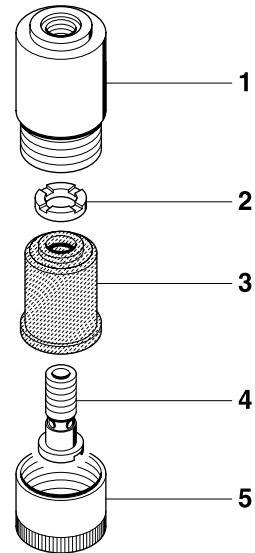
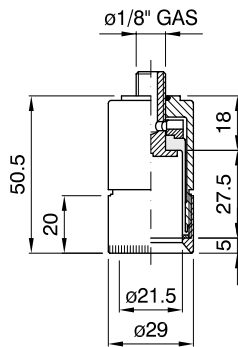
cod. 001.0039 \varnothing 36,5



PROFILO INTERNO SCALA 1:1
INTERNAL SECTION SCALE 1:1
PROFIL INTERNE ECHELLE 1:1
INNENPROFIL MASSTAB 1:1
PERFIL INTERIOR ESCALA 1:1

	COD.	MATERIALE	MATERIAL	MATERIEL	WERKSTOFF	MATERIAL
1	027.0032	AL	AL	AL	AL	AL
2	032.0201	PA	PA	PA	PA	PA
3	040.0075	GOMMA	RUBBER	CAOUTCHOUC	GUMMI	GOMA
4	032.0003	OTTONE	BRASS	LAITON	MESSING	LATON
5	026.0061	AL	AL	AL	AL	AL

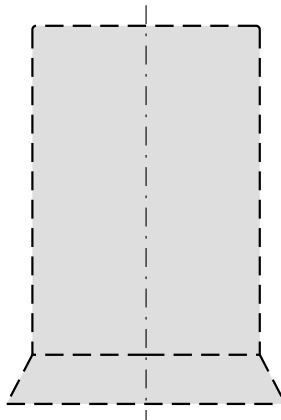
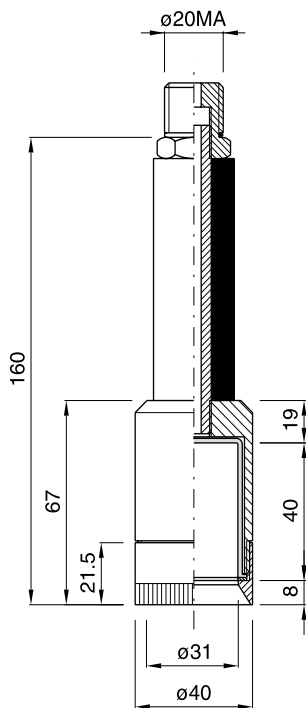
cod. 001.0105 ø 29



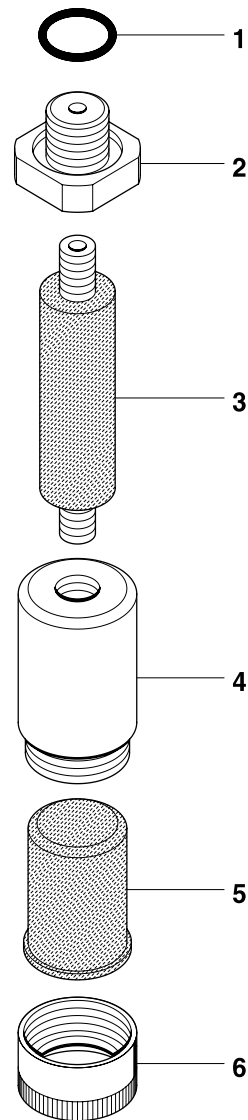
PROFILO INTERNO SCALA 1:1
INTERNAL SECTION SCALE 1:1
PROFIL INTERNE ECHELLE 1:1
INNENPROFIL MASSTAB 1:1
PERFIL INTERIOR ESCALA 1:1

	COD.	MATERIALE	MATERIAL	MATERIEL	WERKSTOFF	MATERIAL
1	027.0082	PA	PA	PA	PA	PA
2	032.0201	PA	PA	PA	PA	PA
3	040.0153	GOMMA	RUBBER	CAOUTCHOUC	GUMMI	GOMA
4	032.0003	OTTONE	BRASS	LAITON	MESSING	LATON
5	026.0129	AL	AL	AL	AL	AL

cod. 001.0026 ø 40

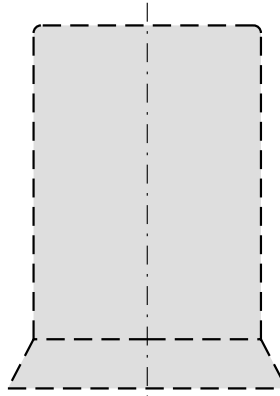
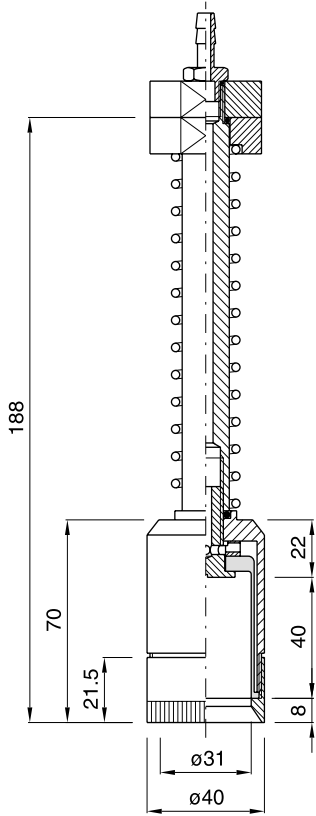


PROFILO INTERNO SCALA 1:1
 INTERNAL SECTION SCALE 1:1
 PROFIL INTERNE ECHELLE 1:1
 INNENPROFIL MASSTAB 1:1
 PERFIL INTERIOR ESCALA 1:1

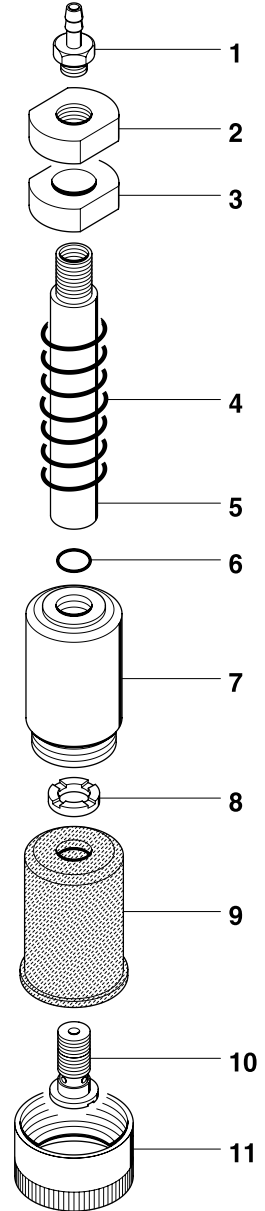


	COD.	MATERIALE	MATERIAL	MATERIEL	WERKSTOFF	MATERIAL
1	057.0033	GOMMA	RUBBER	CAOUTCHOUC	GUMMI	GOMA
2	032.0017	OTTONE	BRASS	LAITON	MESSING	LATON
3	028.0012	GOMMA	RUBBER	CAOUTCHOUC	GUMMI	GOMA
4	027.0020	PA	PA	PA	PA	PA
5	040.0015	GOMMA	RUBBER	CAOUTCHOUC	GUMMI	GOMA
6	026.0049	AL	AL	AL	AL	AL

cod. 001.0040 ø 40

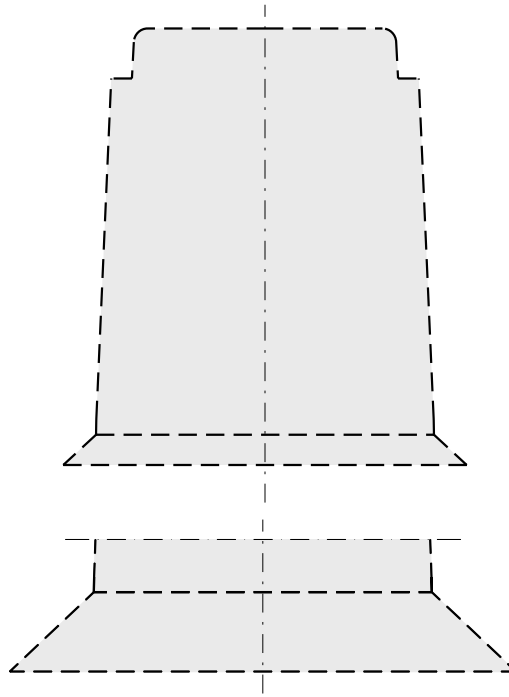
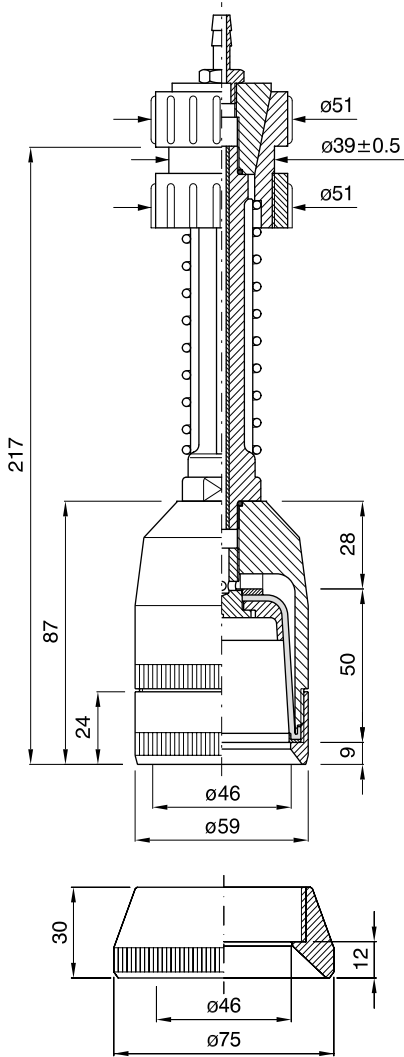


PROFILO INTERNO SCALA 1:1
INTERNAL SECTION SCALE 1:1
PROFIL INTERNE ECHELLE 1:1
INNENPROFIL MASSTAB 1:1
PERFIL INTERIOR ESCALA 1:1

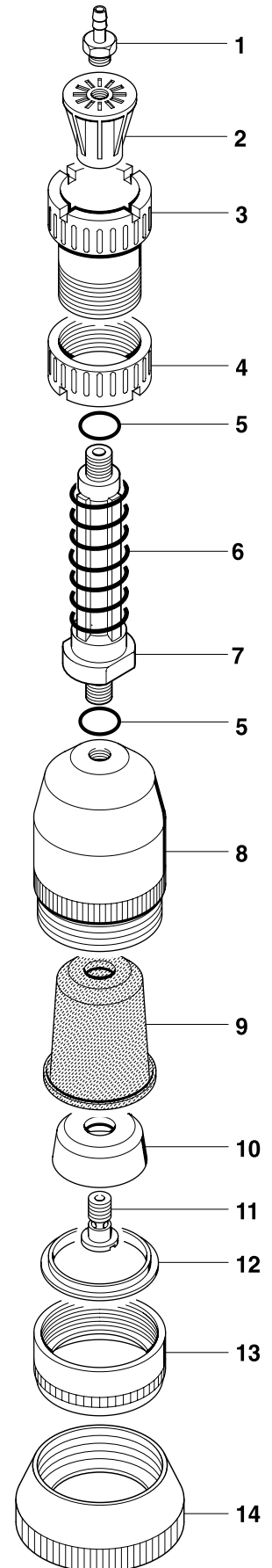


	COD.	MATERIALE	MATERIAL	MATERIEL	WERKSTOFF	MATERIAL
1	024.0001	OTTONE	BRASS	LAITON	MESSING	LATON
2	026.0014	PA	PA	PA	PA	PA
3	026.0015	PA	PA	PA	PA	PA
4	029.0001	AISI	STAINLESS STEEL	ACIER INOXYDABLE	ROSTFREIER STAHL	ACERO INOXIDABLE
5	028.0009	AL	AL	AL	AL	AL
6	057.0033	GOMMA	RUBBER	CAOUTCHOUC	GUMMI	GOMA
7	027.0033	PA	PA	PA	PA	PA
8	032.0200	PA	PA	PA	PA	PA
9	040.0105	GOMMA	RUBBER	CAOUTCHOUC	GUMMI	GOMA
10	032.0002	OTTONE	BRASS	LAITON	MESSING	LATON
11	026.0049	AL	AL	AL	AL	AL

cod. 001.0033 ø 59 - cod. 001.0091 ø 75



PROFILO INTERNO SCALA 1:1
INTERNAL SECTION SCALE 1:1
PROFIL INTERNE ECHELLE 1:1
INNENPROFIL MASSTAB 1:1
PERFIL INTERIOR ESCALA 1:1



	COD.	MATERIALE	MATERIAL	MATERIEL	WERKSTOFF	MATERIAL
1	024.0001	OTTONE	BRASS	LAITON	MESSING	LATON
2	025.0001	PA	PA	PA	PA	PA
3	026.0001	PA	PA	PA	PA	PA
4	026.0011	PA	PA	PA	PA	PA
5	057.0033	GOMMA	RUBBER	CAOUTCHOUC	GUMMI	GOMA
6	029.0001	AISI	STAINLESS STEEL	ACIER INOXYDABLE	ROSTFREIER STAHL	ACERO INOXIDABLE
7	028.0001	PA	PA	PA	PA	PA
8	027.0027	PA	PA	PA	PA	PA
9	040.0088	GOMMA / TPU	RUBBER / PU	CAOUTCHOUC TPU	GUMMI / TPU	GOMA / TPU
10	030.0006	PA	PA	PA	PA	PA
11	032.0008	OTTONE	BRASS	LAITON	MESSING	LATON
12	032.0403	AISI	STAINLESS STEEL	ACIER INOXYDABLE	ROSTFREIER STAHL	ACERO INOXIDABLE
13	026.0056	AL	AL	AL	AL	AL
14	026.0101	PA	PA	PA	PA	PA

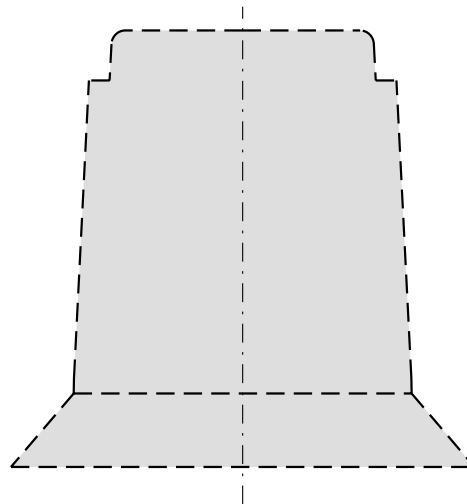
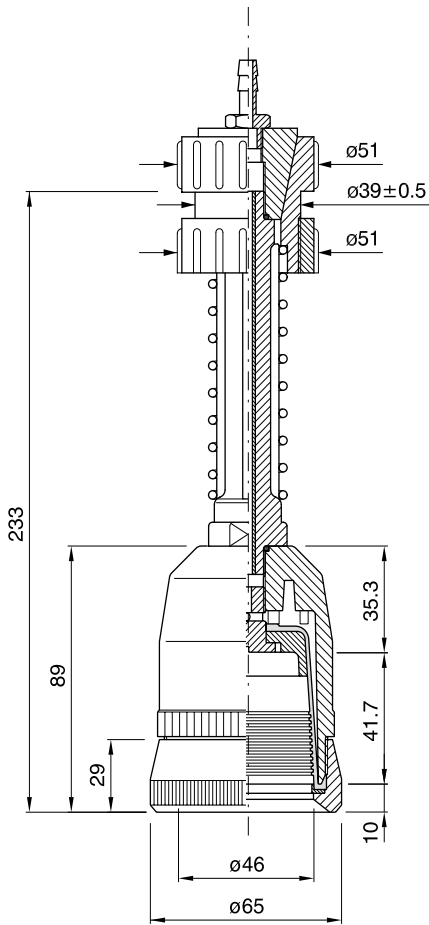
PICK-UP HEAD

TETE DE PREHENSION

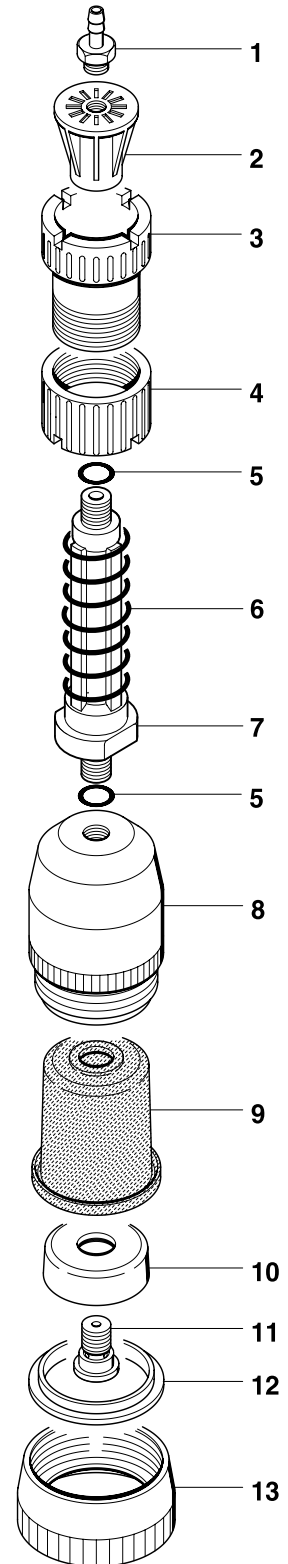
GREIFERKOPF

TULIPA

cod. 001.0087 ø 65

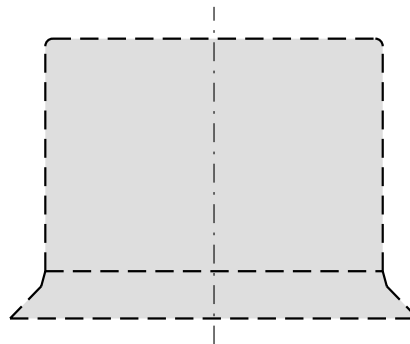
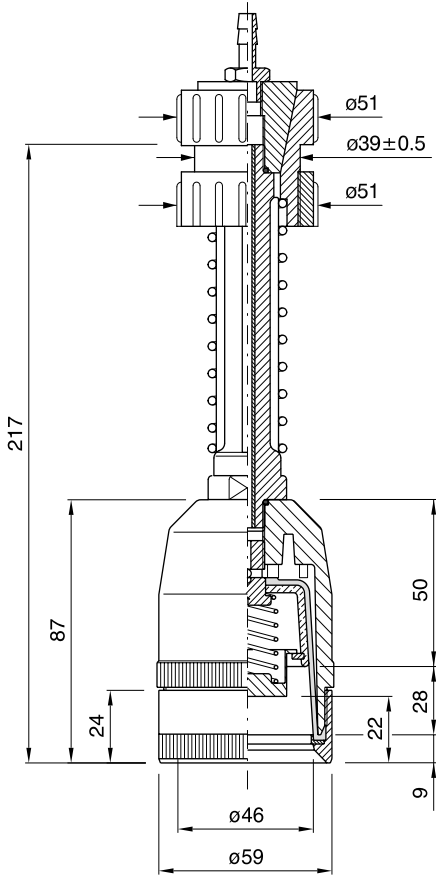


PROFILO INTERNO SCALA 1:1
INTERNAL SECTION SCALE 1:1
PROFIL INTERNE ECHELLE 1:1
INNENPROFIL MASSTAB 1:1
PERFIL INTERIOR ESCALA 1:1

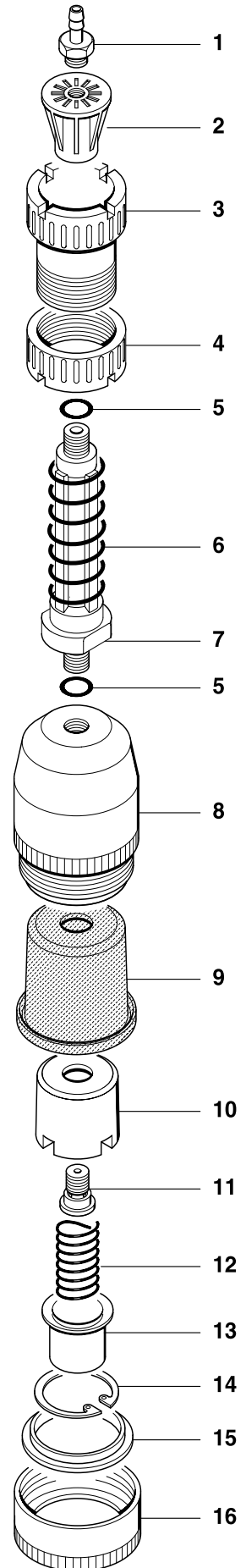


	COD.	MATERIALE	MATERIAL	MATERIEL	WERKSTOFF	MATERIAL
1	024.0001	OTTONE	BRASS	LAITON	MESSING	LATON
2	025.0001	PA	PA	PA	PA	PA
3	026.0001	PA	PA	PA	PA	PA
4	026.0011	PA	PA	PA	PA	PA
5	057.0033	GOMMA	RUBBER	CAOUTCHOUC	GUMMI	GOMA
6	029.0001	AISI	STAINLESS STEEL	ACIER INOXYDABLE	ROSTFREIER STAHL	ACERO INOXIDABLE
7	028.0001	PA	PA	PA	PA	PA
8	027.0027	PA	PA	PA	PA	PA
9	040.0088	GOMMA / TPU	RUBBER / TPU	CAOUTCHOUC TPU	GUMMI / TPU	GOMA / TPU
10	030.0006	PA	PA	PA	PA	PA
11	032.0008	OTTONE	BRASS	LAITON	MESSING	LATON
12	032.0403	AISI	STAINLESS STEEL	ACIER INOXYDABLE	ROSTFREIER STAHL	ACERO INOXIDABLE
13	026.0121	PA	PA	PA	PA	PA

cod. 001.0054 ø 59



PROFILO INTERNO SCALA 1:1
 INTERNAL SECTION SCALE 1:1
 PROFIL INTERNE ECHELLE 1:1
 INNENPROFIL MASSTAB 1:1
 PERFIL INTERIOR ESCALA 1:1



	COD.	MATERIALE	MATERIAL	MATERIEL	WERKSTOFF	MATERIAL
1	024.0001	OTTONE	BRASS	LAITON	MESSING	LATON
2	025.0001	PA	PA	PA	PA	PA
3	026.0001	PA	PA	PA	PA	PA
4	026.0011	PA	PA	PA	PA	PA
5	057.0033	GOMMA	RUBBER	CAOUTCHOUC	GUMMI	GOMA
6	029.0001	AISI	STAINLESS STEEL	ACIER INOXYDABLE	ROSTFREIER STAHL	ACERO INOXIDABLE
7	028.0001	AL	AL	AL	AL	AL
8	027.0027	PA	PA	PA	PA	PA
9	040.0088	GOMMA / TPU	RUBBER / TPU	CAOUTCHOUC TPU	GUMMI / TPU	GOMA / TPU
10	030.0025	AL	AL	AL	AL	AL
11	032.0008	OTTONE	BRASS	LAITON	MESSING	LATON
12	029.0021	AISI	STAINLESS STEEL	ACIER INOXYDABLE	ROSTFREIER STAHL	ACERO INOXIDABLE
13	031.0012	PA	PA	PA	PA	PA
14	032.0405	AISI	STAINLESS STEEL	ACIER INOXYDABLE	ROSTFREIER STAHL	ACERO INOXIDABLE
15	032.0403	AISI	STAINLESS STEEL	ACIER INOXYDABLE	ROSTFREIER STAHL	ACERO INOXIDABLE
16	026.0056	AL	AL	AL	AL	AL

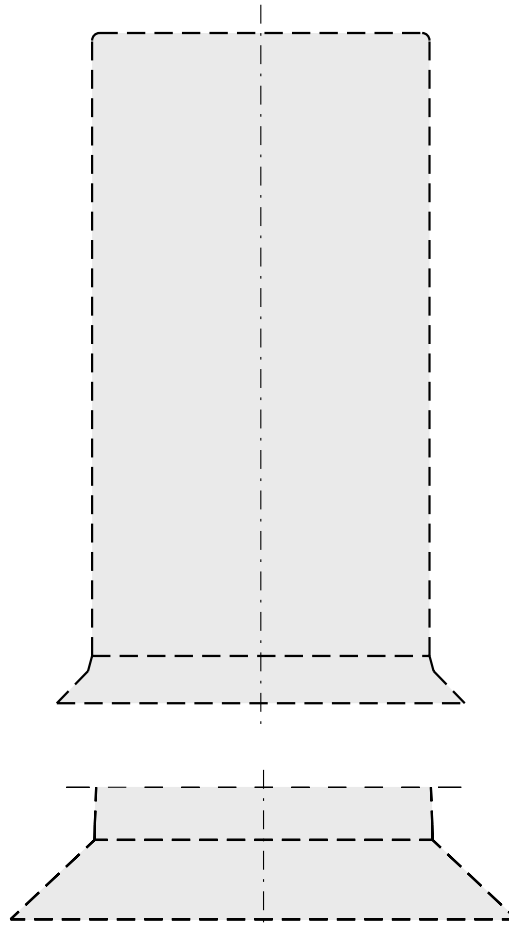
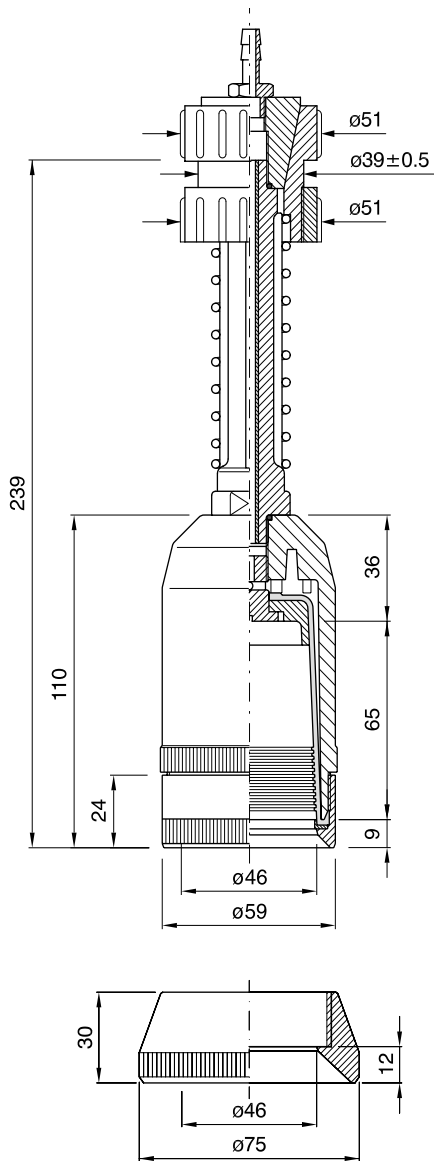
PICK-UP HEAD

TETE DE PREHENSION

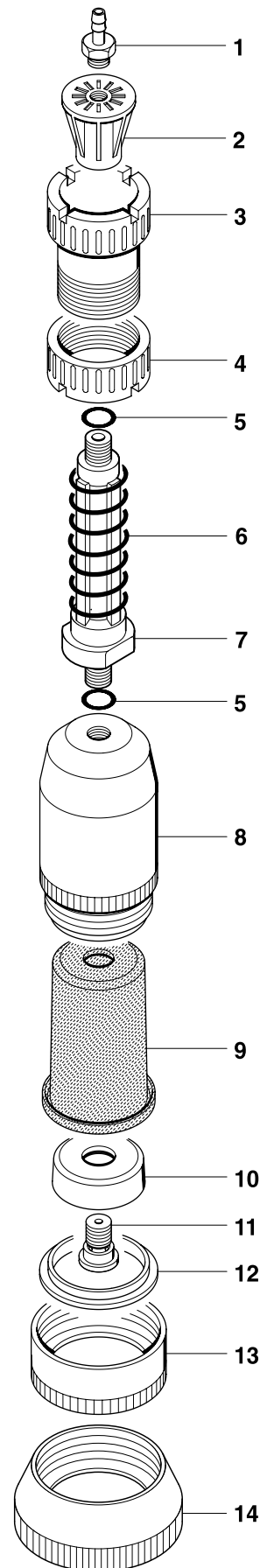
GREIFERKOPF

TULIPA

cod. 001.0057 ø 59 - cod. 001.0094 ø 75

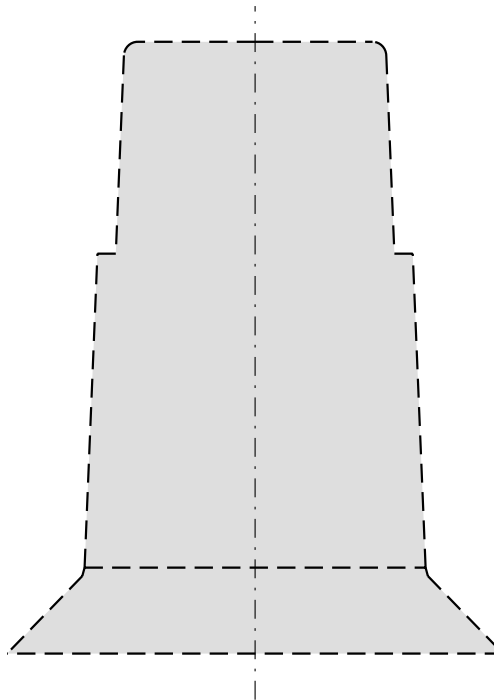
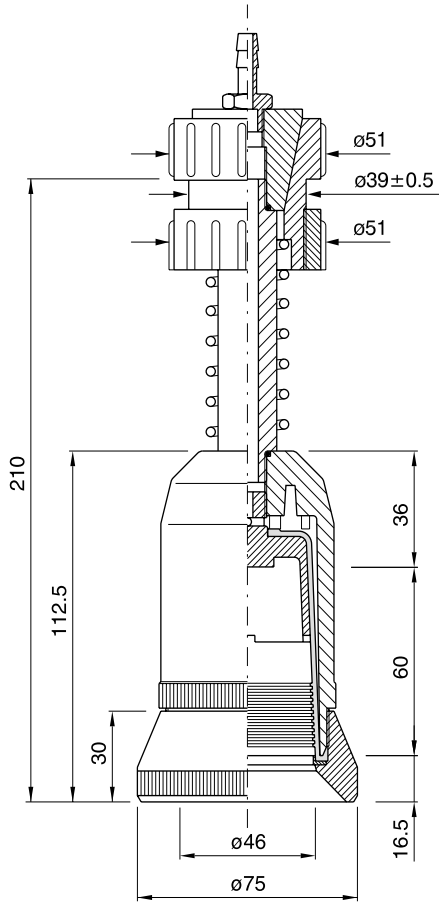


PROFILO INTERNO SCALA 1:1
INTERNAL SECTION SCALE 1:1
PROFIL INTERNE ECHELLE 1:1
INNENPROFIL MASSTAB 1:1
PERFIL INTERIOR ESCALA 1:1

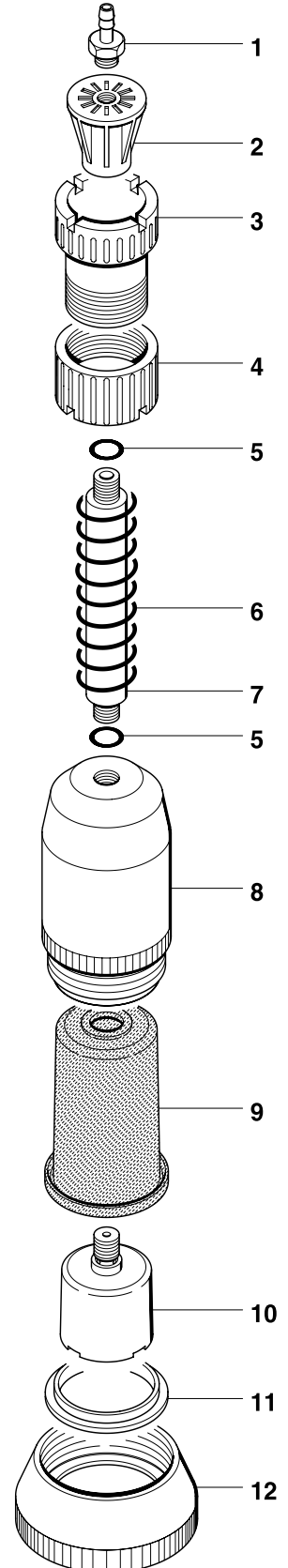


	COD.	MATERIALE	MATERIAL	MATERIEL	WERKSTOFF	MATERIAL
1	024.0001	OTTONE	BRASS	LAITON	MESSING	LATON
2	025.0001	PA	PA	PA	PA	PA
3	026.0001	PA	PA	PA	PA	PA
4	026.0011	PA	PA	PA	PA	PA
5	057.0033	GOMMA	RUBBER	CAOUTCHOUC	GUMMI	GOMA
6	029.0001	AISI	STAINLESS STEEL	ACIER INOXYDABLE	ROSTFREIER STAHL	ACERO INOXIDABLE
7	028.0001	AL	AL	AL	AL	AL
8	027.0045	PA	PA	PA	PA	PA
9	040.0124	GOMMA / TPU	RUBBER / TPU	CAOUTCHOUC TPU	GUMMI / TPU	GOMA / TPU
10	030.0006	PA	PA	PA	PA	PA
11	032.0008	OTTONE	BRASS	LAITON	MESSING	LATON
12	032.0403	AISI	STAINLESS STEEL	ACIER INOXYDABLE	ROSTFREIER STAHL	ACERO INOXIDABLE
13	026.0056	AL	AL	AL	AL	AL
14	026.0101	PA	PA	PA	PA	PA

cod. 001.0063 ø 75



PROFILO INTERNO SCALA 1:1
 INTERNAL SECTION SCALE 1:1
 PROFIL INTERNE ECHELLE 1:1
 INNENPROFIL MASSTAB 1:1
 PERFIL INTERIOR ESCALA 1:1



	COD.	MATERIALE	MATERIAL	MATERIEL	WERKSTOFF	MATERIAL
1	024.0001	OTTONE	BRASS	LAITON	MESSING	LATON
2	025.0001	PA	PA	PA	PA	PA
3	026.0001	PA	PA	PA	PA	PA
4	026.0011	PA	PA	PA	PA	PA
5	057.0033	GOMMA	RUBBER	CAOUTCHOUC	GUMMI	GOMA
6	029.0018	AISI	STAINLESS STEEL	ACIER INOXYDABLE	ROSTFREIER STAHL	ACERO INOXIDABLE
7	028.0026	AL	AL	AL	AL	AL
8	027.0045	PA	PA	PA	PA	PA
9	040.0124	GOMMA / TPU	RUBBER / TPU	CAOUTCHOUC TPU	GUMMI / TPU	GOMA / TPU
10	030.0028	AL	AL	AL	AL	AL
11	032.0403	AISI	STAINLESS STEEL	ACIER INOXYDABLE	ROSTFREIER STAHL	ACERO INOXIDABLE
12	026.0101	PA	PA	PA	PA	PA

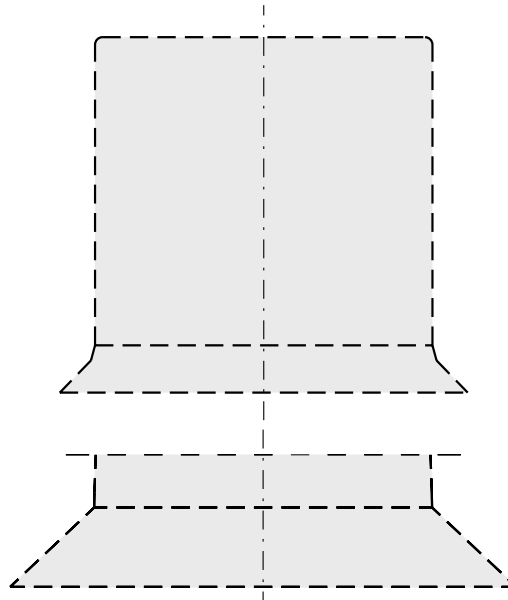
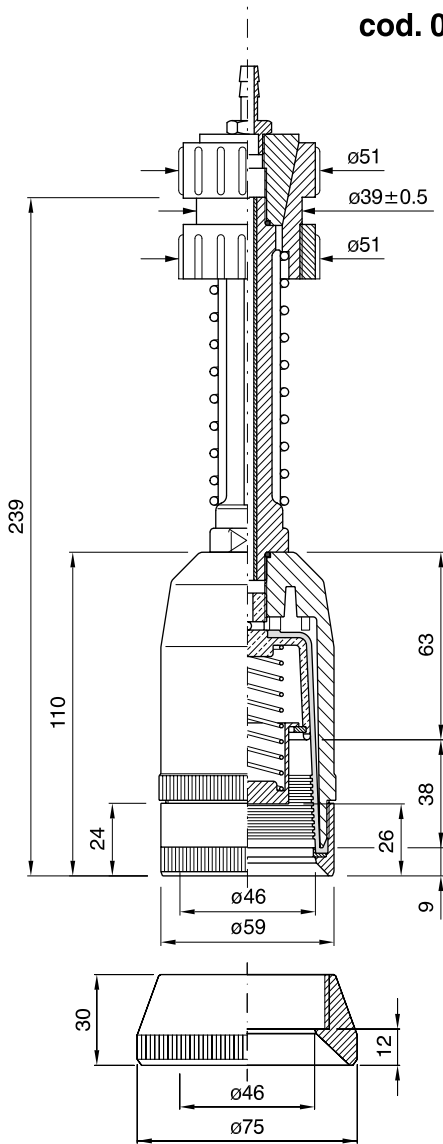
PICK-UP HEAD

TETE DE PREHENSION

GREIFERKOPF

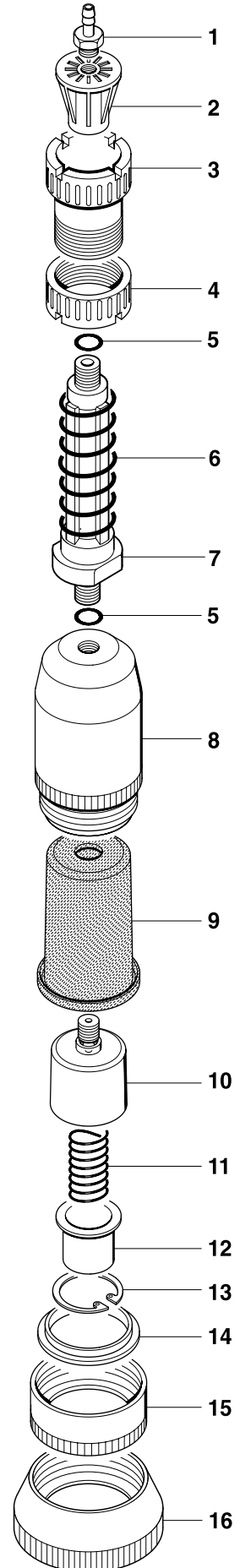
TULIPA

cod. 001.0055 ø 59 - cod. 001.0077 ø 75



PROFILO INTERNO SCALA 1:1
INTERNAL SECTION SCALE 1:1

PROFIL INTERNE ECHELLE 1:1
INNENPROFIL MASSTAB 1:1
PERFIL INTERIOR ESCALA 1:1



	COD.	MATERIALE	MATERIAL	MATERIEL	WERKSTOFF	MATERIAL
1	024.0001	OTTONE	BRASS	LAITON	MESSING	LATON
2	025.0001	PA	PA	PA	PA	PA
3	026.0001	PA	PA	PA	PA	PA
4	026.0011	PA	PA	PA	PA	PA
5	057.0033	GOMMA	RUBBER	CAOUTCHOUC	GUMMI	GOMA
6	029.0001	AISI	STAINLESS STEEL	ACIER INOXYDABLE	ROSTFREIER STAHL	ACERO INOXIDABLE
7	028.0001	AL	AL	AL	AL	AL
8	027.0045	PA	PA	PA	PA	PA
9	040.0124	GOMMA / TPU	RUBBER / TPU	CAOUTCHOUC TPU	GUMMI / TPU	GOMA / TPU
10	030.0028	AL	AL	AL	AL	AL
11	029.0022	AISI	STAINLESS STEEL	ACIER INOXYDABLE	ROSTFREIER STAHL	ACERO INOXIDABLE
12	031.0013	PA	PA	PA	PA	PA
13	032.0405	AISI	STAINLESS STEEL	ACIER INOXYDABLE	ROSTFREIER STAHL	ACERO INOXIDABLE
14	032.0403	AISI	STAINLESS STEEL	ACIER INOXYDABLE	ROSTFREIER STAHL	ACERO INOXIDABLE
15	026.0056	AL	AL	AL	AL	AL
16	026.0101	PA	PA	PA	PA	PA

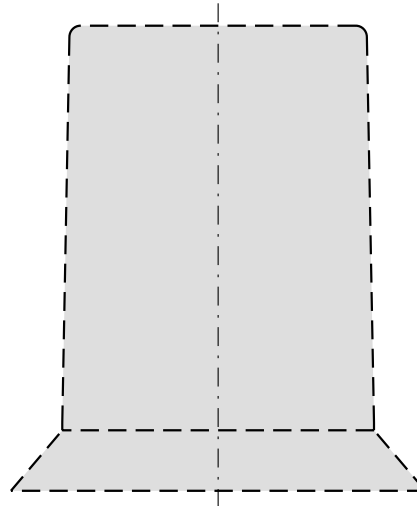
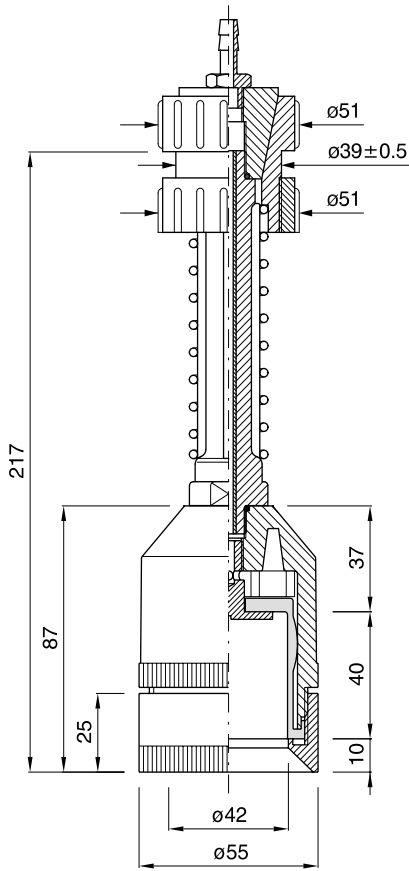
PICK-UP HEAD

TETE DE PREHENSION

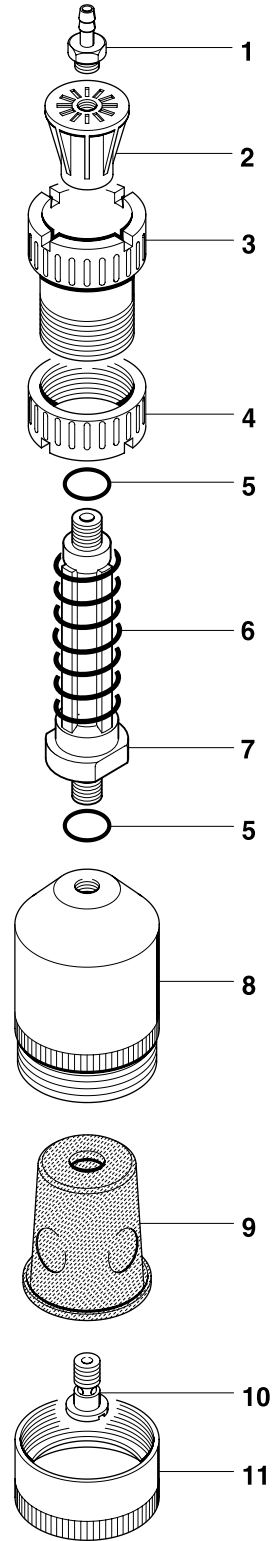
GREIFERKOPF

TULIPA

cod. 001.0030 ø 55

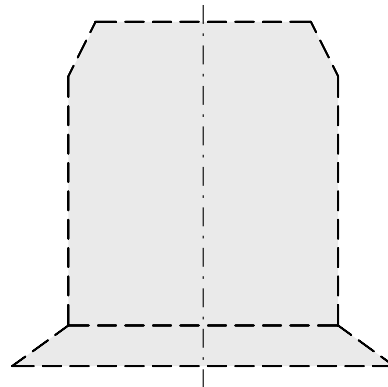
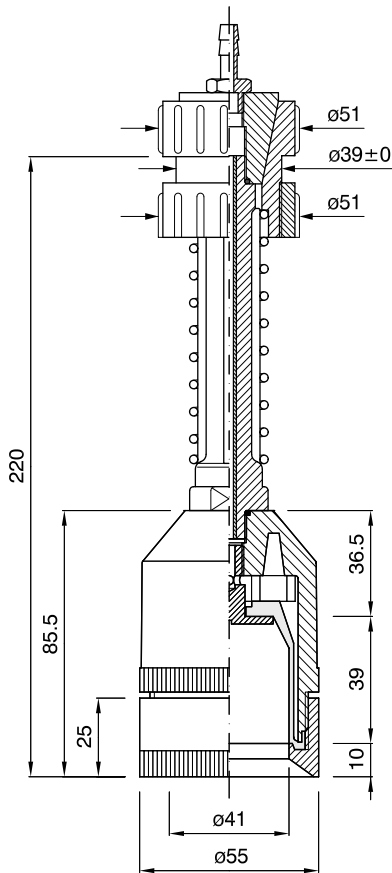


PROFILO INTERNO SCALA 1:1
INTERNAL SECTION SCALE 1:1
PROFIL INTERNE ECHELLE 1:1
INNENPROFIL MASSTAB 1:1
PERFIL INTERIOR ESCALA 1:1

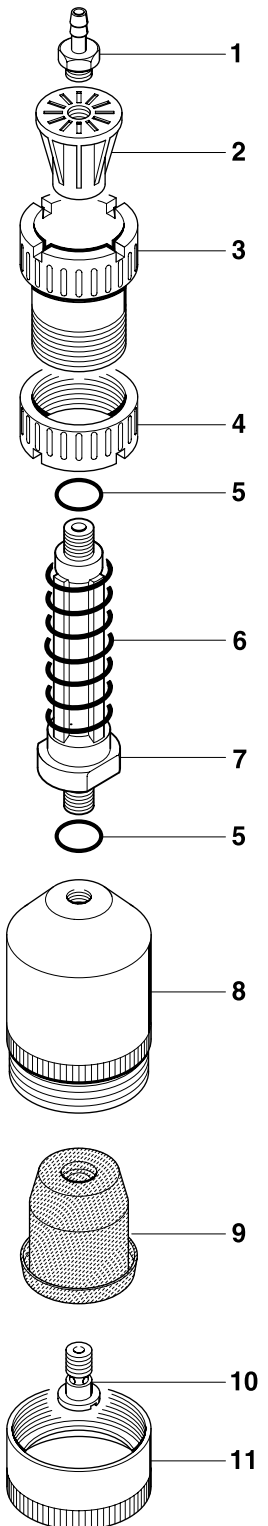


	COD.	MATERIALE	MATERIAL	MATERIEL	WERKSTOFF	MATERIAL
1	024.0001	OTTONE	BRASS	LAITON	MESSING	LATON
2	025.0001	PA	PA	PA	PA	PA
3	026.0001	PA	PA	PA	PA	PA
4	026.0011	PA	PA	PA	PA	PA
5	057.0033	GOMMA	RUBBER	CAOUTCHOUC	GUMMI	GOMA
6	029.0001	AISI	STAINLESS STEEL	ACIER INOXYDABLE	ROSTFREIER STAHL	ACERO INOXIDABLE
7	028.0001	PA	PA	PA	PA	PA
8	027.0024	PA	PA	PA	PA	PA
9	040.0027	GOMMA / TPU	RUBBER / TPU	CAOUTCHOUC TPU	GUMMI / TPU	GOMA / TPU
10	032.0007	OTTONE	BRASS	LAITON	MESSING	LATON
11	026.0053	AL	AL	AL	AL	AL

cod. 001.0101 ø 55

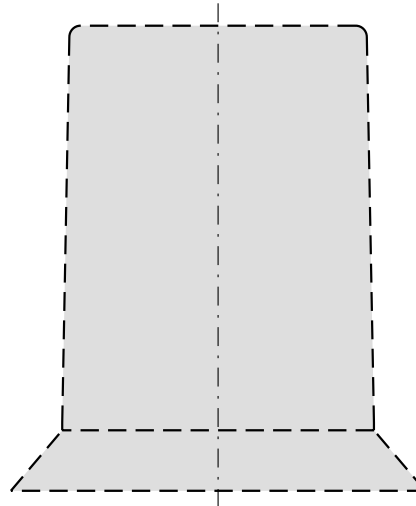
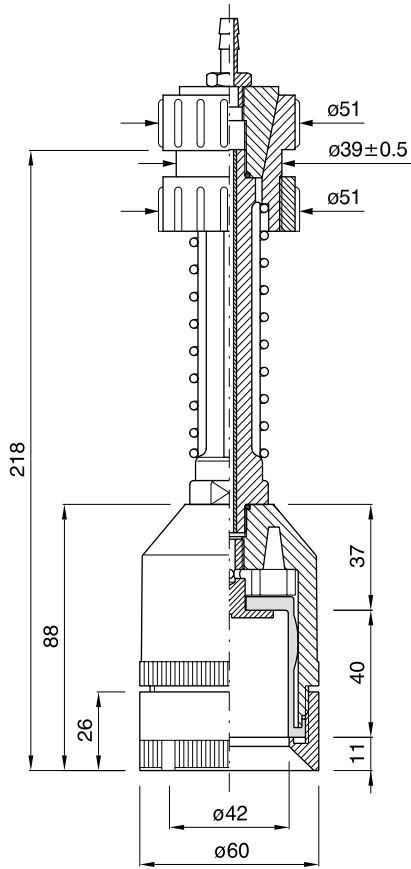


PROFILO INTERNO SCALA 1:1
INTERNAL SECTION SCALE 1:1
PROFIL INTERNE ECHELLE 1:1
INNENPROFIL MASSTAB 1:1
PERFIL INTERIOR ESCALA 1:1

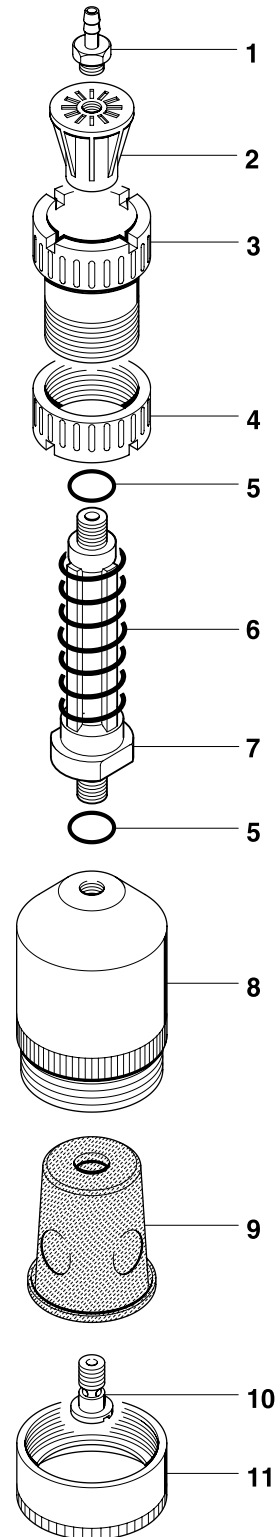


	COD.	MATERIALE	MATERIAL	MATERIEL	WERKSTOFF	MATERIAL
1	024.0001	OTTONE	BRASS	LAITON	MESSING	LATON
2	025.0001	PA	PA	PA	PA	PA
3	026.0001	PA	PA	PA	PA	PA
4	026.0011	PA	PA	PA	PA	PA
5	057.0033	GOMMA	RUBBER	CAOUTCHOUC	GUMMI	GOMA
6	029.0001	AISI	STAINLESS STEEL	ACIER INOXYDABLE	ROSTFREIER STAHL	ACERO INOXIDABLE
7	028.0001	PA	PA	PA	PA	PA
8	027.0080	PA	PA	PA	PA	PA
9	040.0099	GOMMA / TPU	RUBBER / TPU	CAOUTCHOUC TPU	GUMMI / TPU	GOMA / TPU
10	032.0007	OTTONE	BRASS	LAITON	MESSING	LATON
11	026.0053	AL	AL	AL	AL	AL

cod. 001.0029 ø 60



PROFILO INTERNO SCALA 1:1
INTERNAL SECTION SCALE 1:1
PROFIL INTERNE ECHELLE 1:1
INNENPROFIL MASSTAB 1:1
PERFIL INTERIOR ESCALA 1:1



	COD.	MATERIALE	MATERIAL	MATERIEL	WERKSTOFF	MATERIAL
1	024.0001	OTTONE	BRASS	LAITON	MESSING	LATON
2	025.0001	PA	PA	PA	PA	PA
3	026.0001	PA	PA	PA	PA	PA
4	026.0011	PA	PA	PA	PA	PA
5	057.0033	GOMMA	RUBBER	CAOUTCHOUC	GUMMI	GOMA
6	029.0001	AISI	STAINLESS STEEL	ACIER INOXYDABLE	ROSTFREIER STAHL	ACERO INOXIDABLE
7	028.0001	PA	PA	PA	PA	PA
8	027.0023	PA	PA	PA	PA	PA
9	040.0027	GOMMA / TPU	RUBBER / TPU	CAOUTCHOUC TPU	GUMMI / TPU	GOMA / TPU
10	032.0007	OTTONE	BRASS	LAITON	MESSING	LATON
11	026.0052	PA	PA	PA	PA	PA

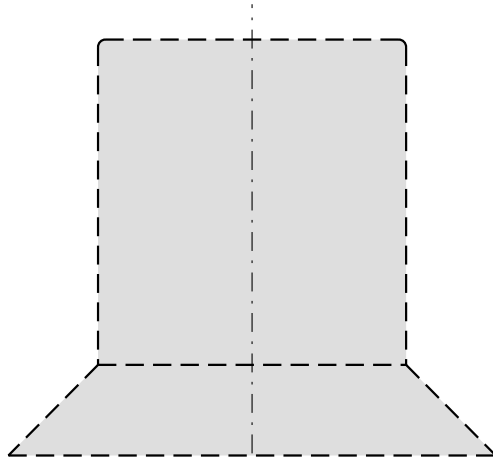
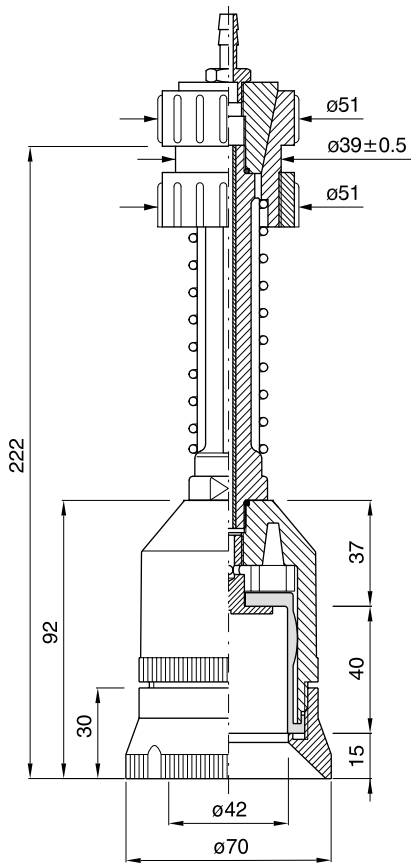
PICK-UP HEAD

TETE DE PREHENSION

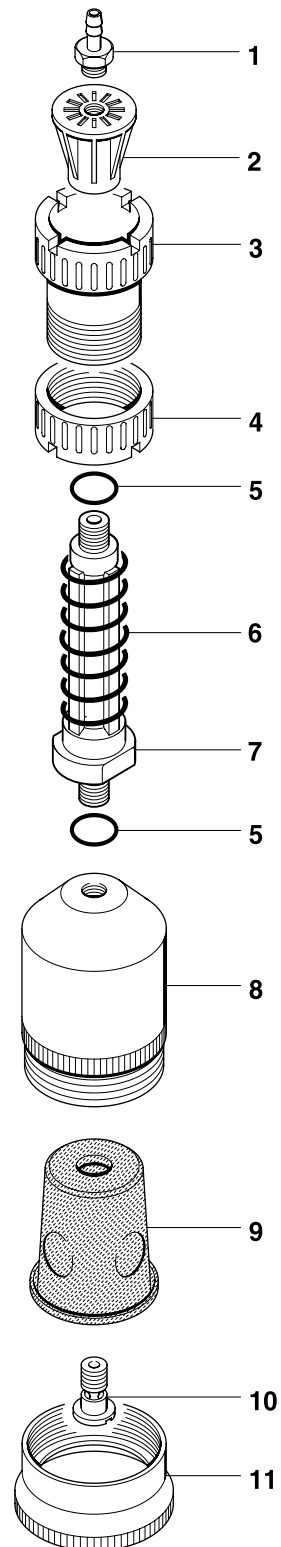
GREIFERKOPF

TULIPA

cod. 001.0050 ø 70

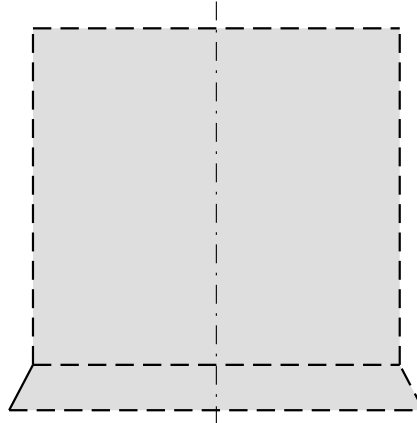
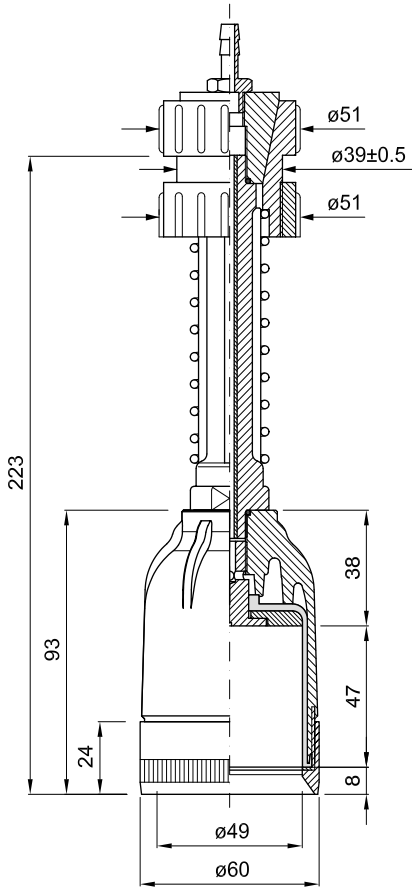


PROFILO INTERNO SCALA 1:1
INTERNAL SECTION SCALE 1:1
PROFIL INTERNE ECHELLE 1:1
INNENPROFIL MASSTAB 1:1
PERFIL INTERIOR ESCALA 1:1

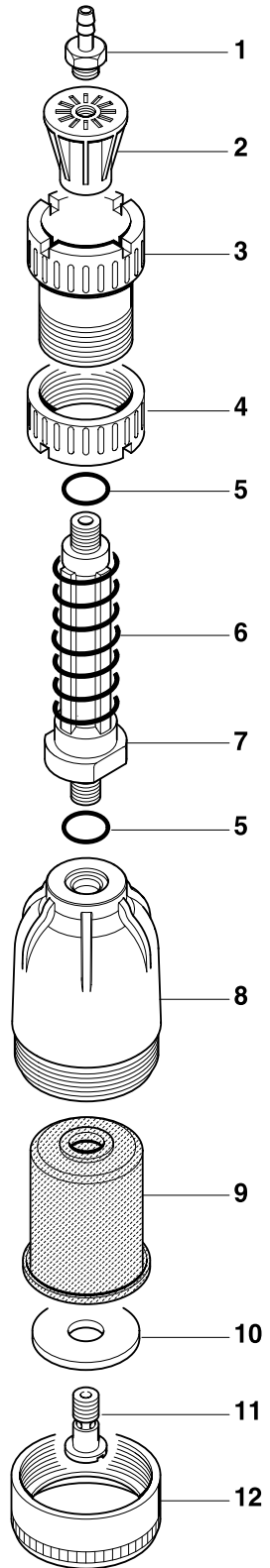


	COD.	MATERIALE	MATERIAL	MATERIEL	WERKSTOFF	MATERIAL
1	024.0001	OTTONE	BRASS	LAITON	MESSING	LATON
2	025.0001	PA	PA	PA	PA	PA
3	026.0001	PA	PA	PA	PA	PA
4	026.0011	PA	PA	PA	PA	PA
5	057.0033	GOMMA	RUBBER	CAOUTCHOUC	GUMMI	GOMA
6	029.0001	AISI	STAINLESS STEEL	ACIER INOXYDABLE	ROSTFREIER STAHL	ACERO INOXIDABLE
7	028.0001	PA	PA	PA	PA	PA
8	027.0023	PA	PA	PA	PA	PA
9	040.0027	GOMMA / TPU	RUBBER / TPU	CAOUTCHOUC TPU	GUMMI / TPU	GOMA / TPU
10	032.0007	OTTONE	BRASS	LAITON	MESSING	LATON
11	026.0083	PA	PA	PA	PA	PA

cod. 001.0037 ø 60

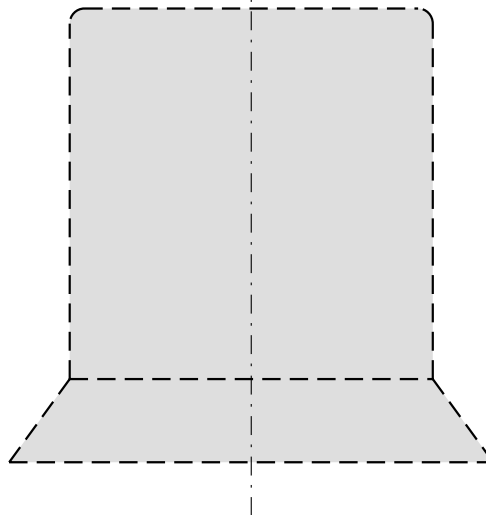
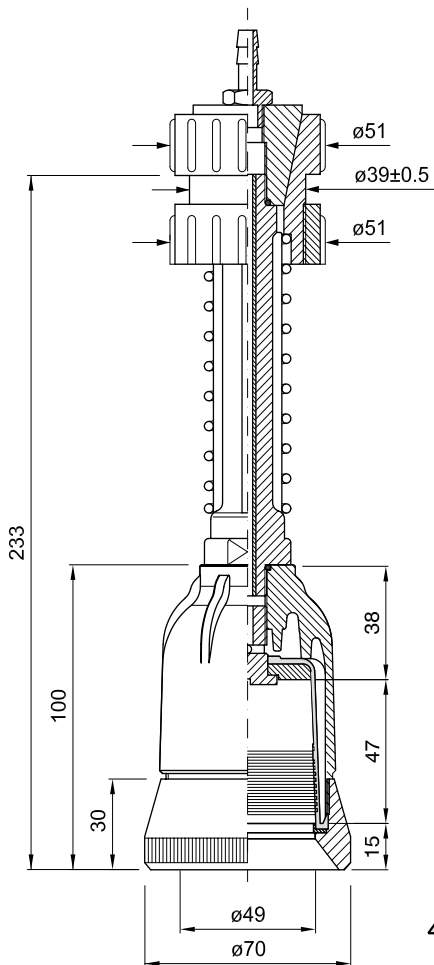


PROFILO INTERNO SCALA 1:1
 INTERNAL SECTION SCALE 1:1
 PROFIL INTERNE ECHELLE 1:1
 INNENPROFIL MASSTAB 1:1
 PERFIL INTERIOR ESCALA 1:1

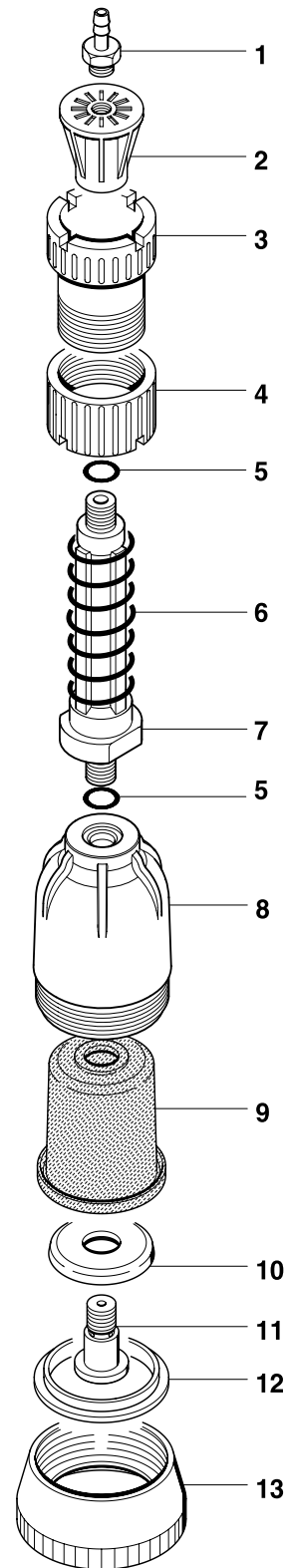


	COD.	MATERIALE	MATERIAL	MATERIEL	WERKSTOFF	MATERIAL
1	024.0001	OTTONE	BRASS	LAITON	MESSING	LATON
2	025.0001	PA	PA	PA	PA	PA
3	026.0001	PA	PA	PA	PA	PA
4	026.0011	PA	PA	PA	PA	PA
5	057.0033	GOMMA	RUBBER	CAOUTCHOUC	GUMMI	GOMA
6	029.0001	AISI	STAINLESS STEEL	ACIER INOXYDABLE	ROSTFREIER STAHL	ACERO INOXIDABLE
7	028.0001	PA	PA	PA	PA	PA
8	027.0030	PA	PA	PA	PA	PA
9	040.0074	GOMMA / TPU	RUBBER / TPU	CAOUTCHOUC TPU	GUMMI / TPU	GOMA / TPU
10	030.0008	PA	PA	PA	PA	PA
11	032.0005	OTTONE	BRASS	LAITON	MESSING	LATON
12	026.0059	AL	AL	AL	AL	AL

cod. 001.0088 ø 70

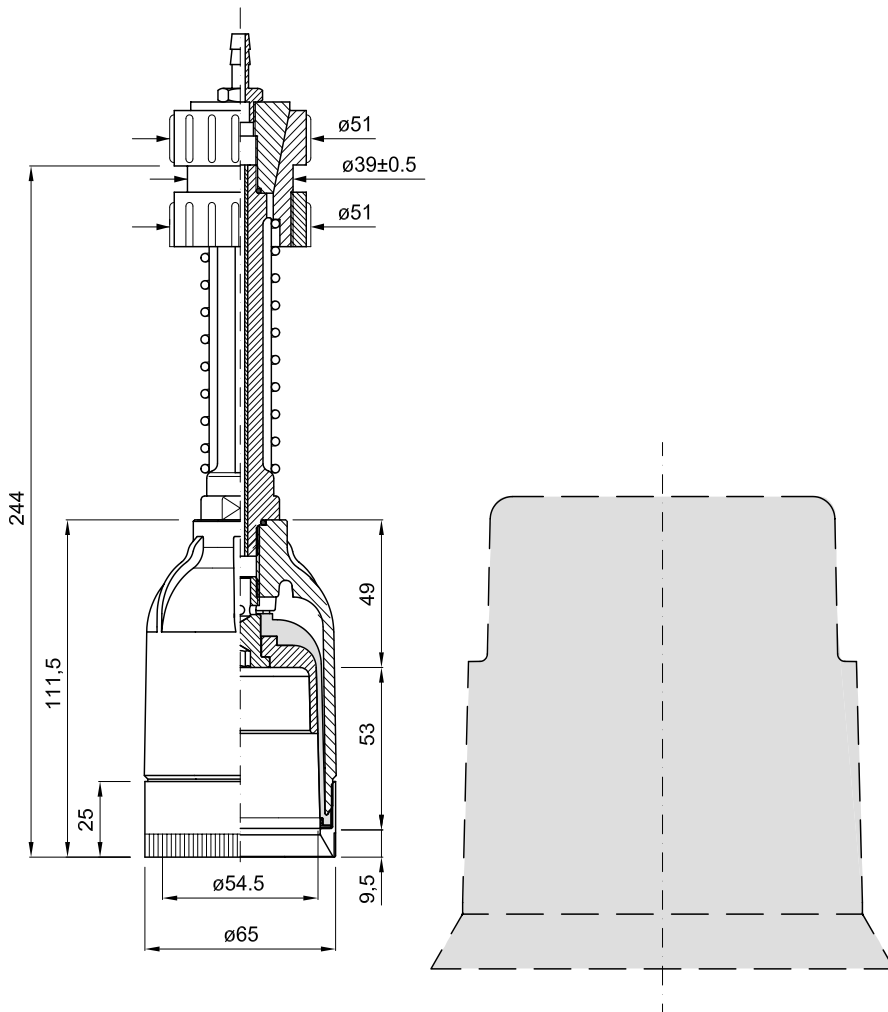


PROFILO INTERNO SCALA 1:1
INTERNAL SECTION SCALE 1:1
PROFIL INTERNE ECHELLE 1:1
INNENPROFIL MASSTAB 1:1
PERFIL INTERIOR ESCALA 1:1

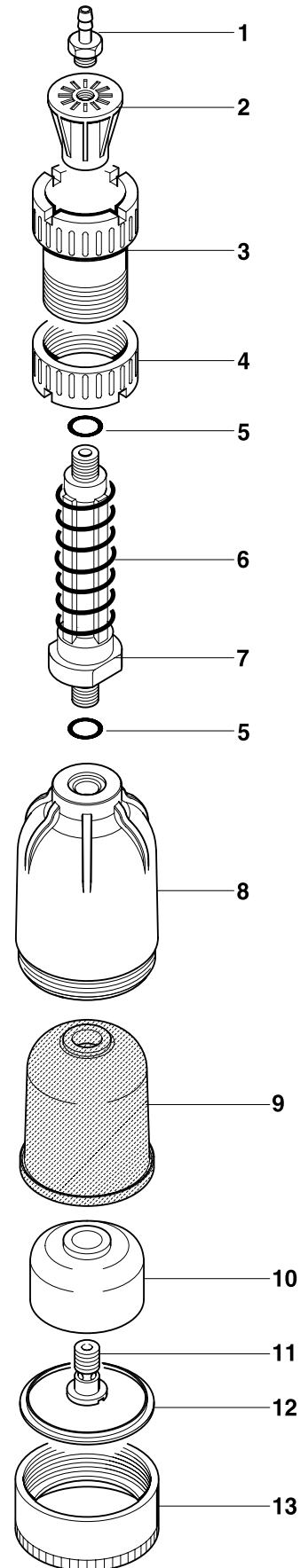


	COD.	MATERIALE	MATERIAL	MATERIEL	WERKSTOFF	MATERIAL
1	024.0001	OTTONE	BRASS	LAITON	MESSING	LATON
2	025.0001	PA	PA	PA	PA	PA
3	026.0001	PA	PA	PA	PA	PA
4	026.0011	PA	PA	PA	PA	PA
5	057.0033	GOMMA	RUBBER	CAOUTCHOUC	GUMMI	GOMA
6	029.0001	AISI	STAINLESS STEEL	ACIER INOXYDABLE	ROSTFREIER STAHL	ACERO INOXIDABLE
7	028.0001	AL	AL	AL	AL	AL
8	027.0030	PA	PA	PA	PA	PA
9	040.0074	GOMMA / TPU	RUBBER / TPU	CAOUTCHOUC TPU	GUMMI / TPU	GOMA / TPU
10	030.0008	PA	PA	PA	PA	PA
11	032.0005	OTTONE	BRASS	LAITON	MESSING	LATON
12	032.0410	AISI	STAINLESS STEEL	ACIER INOXYDABLE	ROSTFREIER STAHL	ACERO INOXIDABLE
13	026.0122	AL	AL	AL	AL	AL

cod. 001.0028 ø 65



PROFILO INTERNO SCALA 1:1
 INTERNAL SECTION SCALE 1:1
 PROFIL INTERNE ECHELLE 1:1
 INNENPROFIL MASSTAB 1:1
 PERFIL INTERIOR ESCALA 1:1



	COD.	MATERIALE	MATERIAL	MATERIEL	WERKSTOFF	MATERIAL
1	024.0001	OTTONE	BRASS	LAITON	MESSING	LATON
2	025.0001	PA	PA	PA	PA	PA
3	026.0001	PA	PA	PA	PA	PA
4	026.0011	PA	PA	PA	PA	PA
5	057.0033	GOMMA	RUBBER	CAOUTCHOUC	GUMMI	GOMA
6	029.0001	AISI	STAINLESS STEEL	ACIER INOXYDABLE	ROSTFREIER STAHL	ACERO INOXIDABLE
7	028.0001	PA	PA	PA	PA	PA
8	027.0022	PA	PA	PA	PA	PA
9	040.0055	GOMMA / TPU	RUBBER / TPU	CAOUTCHOUC TPU	GUMMI / TPU	GOMA / TPU
10	030.0005	PA	PA	PA	PA	PA
11	032.0006	OTTONE	BRASS	LAITON	MESSING	LATON
12	032.0406	AISI	STAINLESS STEEL	ACIER INOXYDABLE	ROSTFREIER STAHL	ACERO INOXIDABLE
13	026.0051	AL	AL	AL	AL	AL

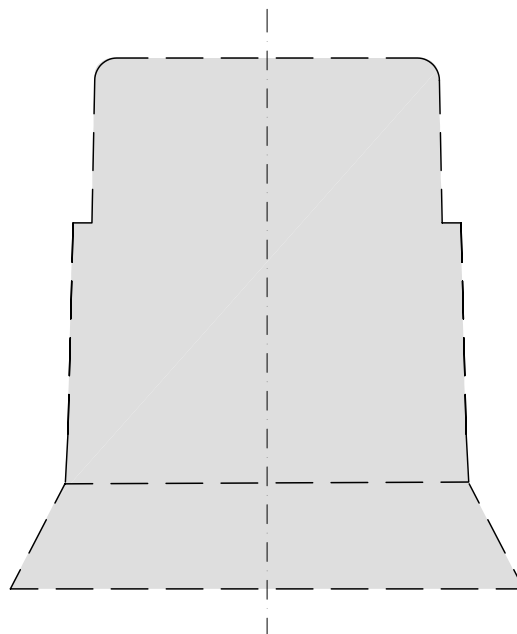
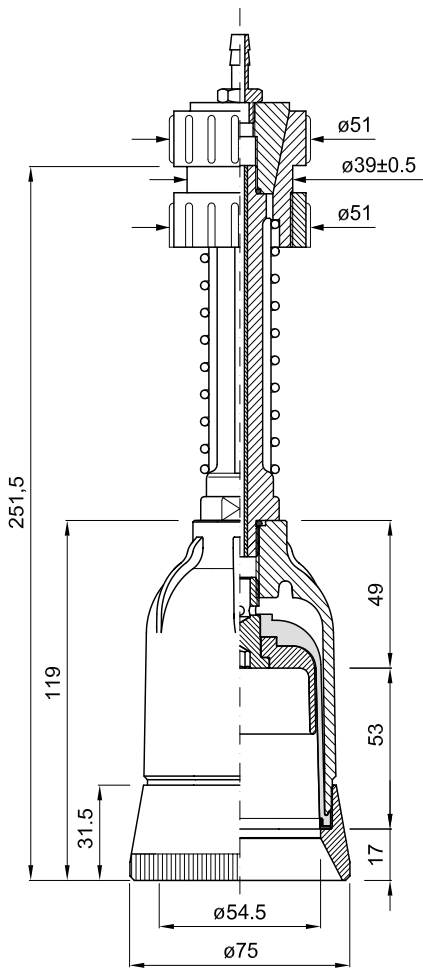
PICK-UP HEAD

TETE DE PREHENSION

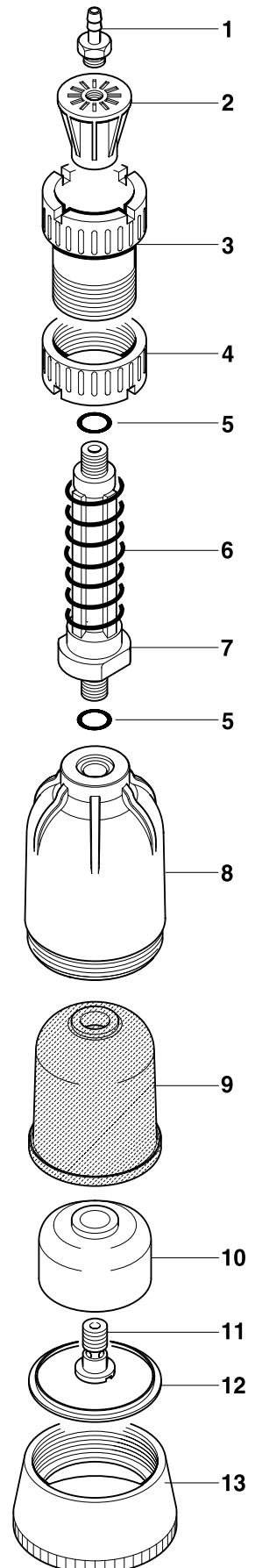
GREIFERKOPF

TULIPA

cod. 001.0056 ø 75

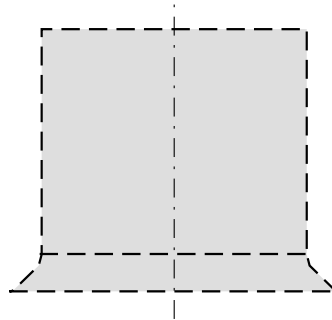
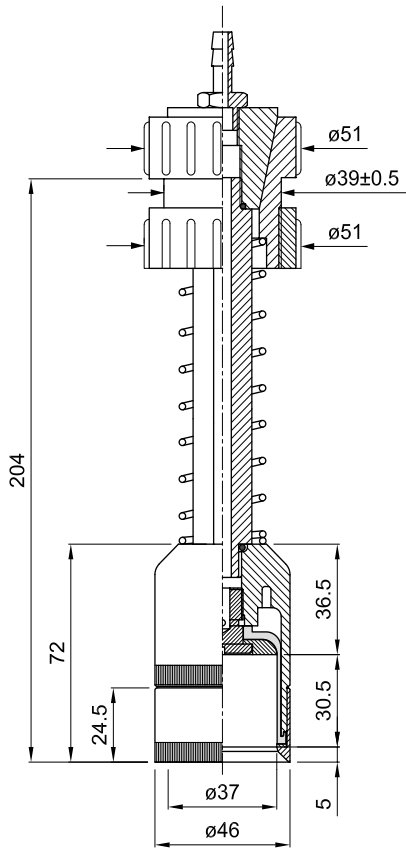


PROFILO INTERNO SCALA 1:1
INTERNAL SECTION SCALE 1:1
PROFIL INTERNE ECHELLE 1:1
INNENPROFIL MASSTAB 1:1
PERFIL INTERIOR ESCALA 1:1

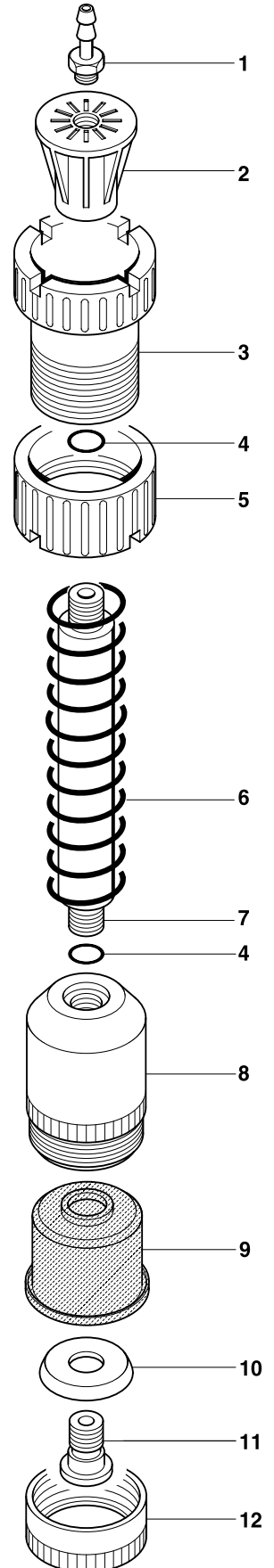


	COD.	MATERIALE	MATERIAL	MATERIEL	WERKSTOFF	MATERIAL
1	024.0001	OTTONE	BRASS	LAITON	MESSING	LATON
2	025.0001	PA	PA	PA	PA	PA
3	026.0001	PA	PA	PA	PA	PA
4	026.0011	PA	PA	PA	PA	PA
5	057.0033	GOMMA	RUBBER	CAOUTCHOUC	GUMMI	GOMA
6	029.0001	AISI	STAINLESS STEEL	ACIER INOXYDABLE	ROSTFREIER STAHL	ACERO INOXIDABLE
7	028.0001	PA	PA	PA	PA	PA
8	027.0022	PA	PA	PA	PA	PA
9	040.0055	GOMMA / TPU	RUBBER / TPU	CAOUTCHOUC TPU	GUMMI / TPU	GOMA / TPU
10	030.0005	PA	PA	PA	PA	PA
11	032.0006	OTTONE	BRASS	LAITON	MESSING	LATON
12	032.0406	AISI	STAINLESS STEEL	ACIER INOXYDABLE	ROSTFREIER STAHL	ACERO INOXIDABLE
13	026.0099	PA	PA	PA	PA	PA

cod. 001.0062 ø 46

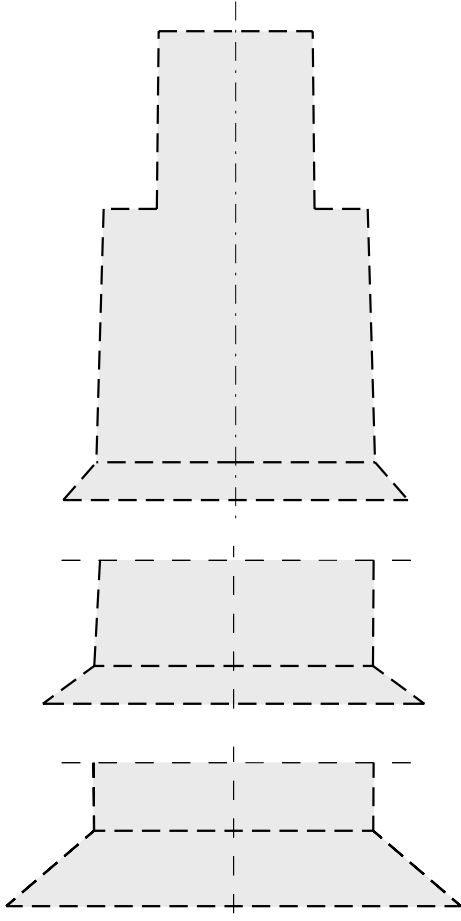
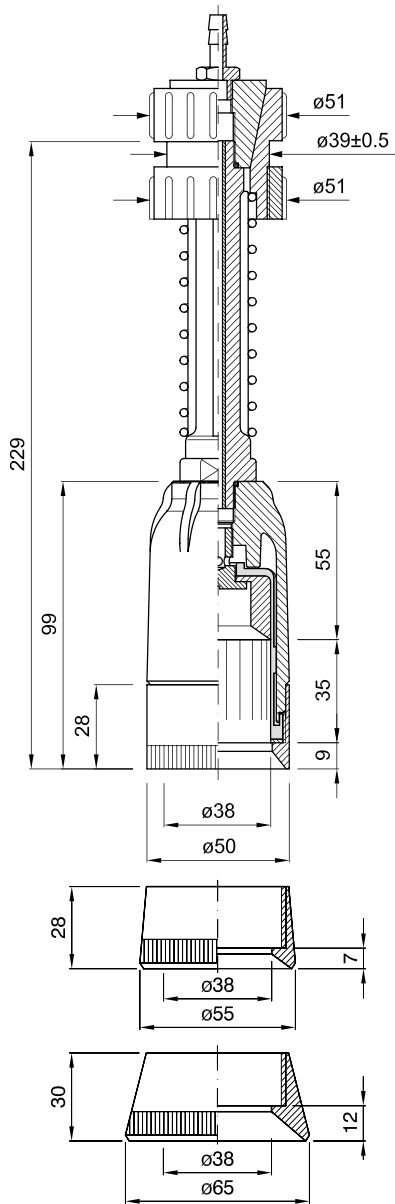


PROFILO INTERNO SCALA 1:1
INTERNAL SECTION SCALE 1:1
INNENPROFIL MASSTAB 1:1

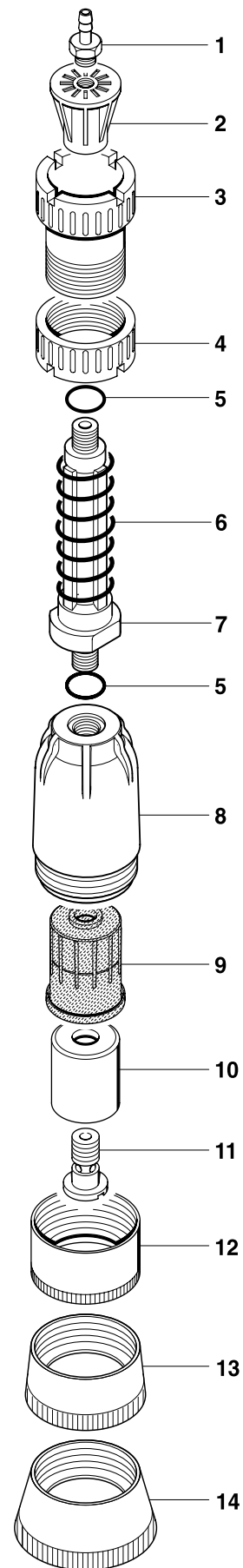


	COD.	MATERIALE	MATERIAL	MATERIEL	WERKSTOFF	MATERIAL
1	024.0001	OTTONE	BRASS	LAITON	MESSING	LATON
2	025.0001	PA	PA	PA	PA	PA
3	026.0001	PA	PA	PA	PA	PA
4	057.0033	GOMMA	RUBBER	CAOUTCHOUC	GUMMI	GOMA
5	026.0011	PA	PA	PA	PA	PA
6	029.0001	AISI	STAINLESS STEEL	ACIER INOXYDABLE	ROSTFREIER STAHL	ACERO INOXIDABLE
7	028.0001	AL	AL	AL	AL	AL
8	027.0066	PVC	PVC	PVC	PVC	PVC
9	040.0129	GOMMA	RUBBER	CAOUTCHOUC	GUMMI	GOMA
10	030.0033	PVC	PVC	PVC	PVC	PVC
11	032.0008	OTTONE	BRASS	LAITON	MESSING	LATON
12	026.0116	AL	AL	AL	AL	AL

cod. 001.0038 ø 50 - cod. 001.0092 ø 55 - cod. 001.0095 ø 65

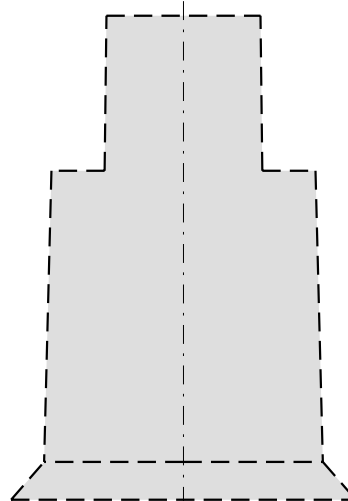
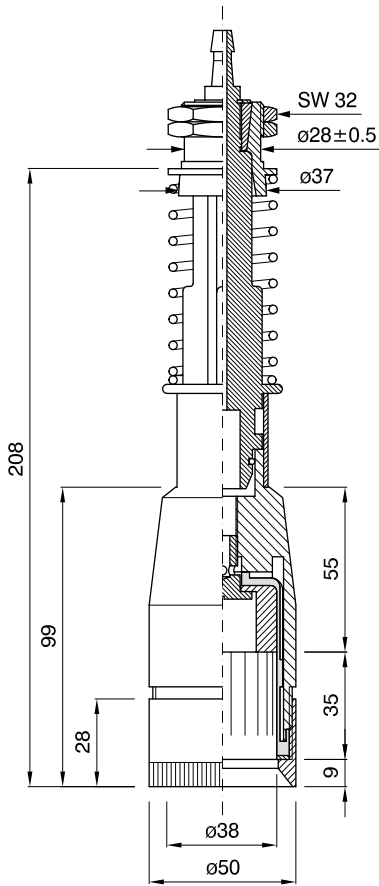


PROFILO INTERNO SCALA 1:1 INTERNAL SECTION SCALE 1:1
 PROFIL INTERNE ECHELLE 1:1 INNENPROFIL MASSTAB 1:1
 PERFIL INTERIOR ESCALA 1:1

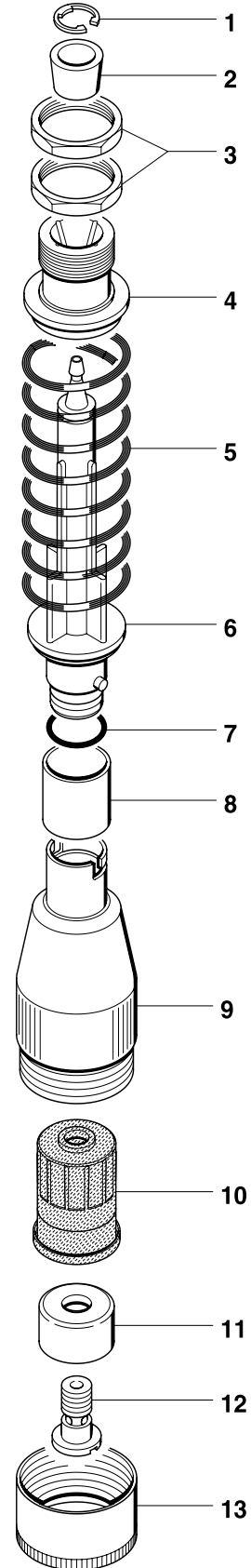


	COD.	MATERIALE	MATERIAL	MATERIEL	WERKSTOFF	MATERIAL
1	024.0001	OTTONE	BRASS	LAITON	MESSING	LATON
2	025.0001	PA	PA	PA	PA	PA
3	026.0001	PA	PA	PA	PA	PA
4	026.0011	PA	PA	PA	PA	PA
5	057.0033	GOMMA	RUBBER	CAOUTCHOUC	GUMMI	GOMA
6	029.0001	AISI	STAINLESS STEEL	ACIER INOXYDABLE	ROSTFREIER STAHL	ACERO INOXIDABLE
7	028.0001	PA	PA	PA	PA	PA
8	027.0031	PA	PA	PA	PA	PA
9	040.0023	GOMMA / TPU	RUBBER / TPU	CAOUTCHOUC TPU	GUMMI / TPU	GOMA / TPU
10	030.0009	PA	PA	PA	PA	PA
11	032.0018	OTTONE	BRASS	LAITON	MESSING	LATON
12	026.0060	AL	AL	AL	AL	AL
13	026.0123	AL	AL	AL	AL	AL
14	026.0124	AL	AL	AL	AL	AL

cod. 001.0069 ø 50



PROFILO INTERNO SCALA 1:1
INTERNAL SECTION SCALE 1:1
PROFIL INTERNE ECHELLE 1:1
INNENPROFIL MASSTAB 1:1
PERFIL INTERIOR ESCALA 1:1



	COD.	MATERIALE	MATERIAL	MATERIEL	WERKSTOFF	MATERIAL
1	032.0014	AISI	STAINLESS STEEL	ACIER INOXYDABLE	RSTFREIER STAHL	ACERO INOXIDABLE
2	025.0002	PA	PA	PA	PA	PA
3	032.0015	OTTONE	BRASS	LAITON	MESSING	LATON
4	026.0002	PA	PA	PA	PA	PA
5	029.0008	AISI	STAINLESS STEEL	ACIER INOXYDABLE	RSTFREIER STAHL	ACERO INOXIDABLE
6	028.0010	PA	PA	PA	PA	PA
7	057.0017	GOMMA	RUBBER	CAOUTCHOUC	GUMMI	GOMA
8	026.0063	PP	PP	PP	PP	PP
9	027.0055	PA	PA	PA	PA	PA
10	040.0023	GOMMA / TPU	RUBBER / TPU	CAOUTCHOUC TPU	GUMMI / TPU	GOMA / TPU
11	030.0009	PA	PA	PA	PA	PA
12	032.0018	OTTONE	BRASS	LAITON	MESSING	LATON
13	026.0060	AL	AL	AL	AL	AL

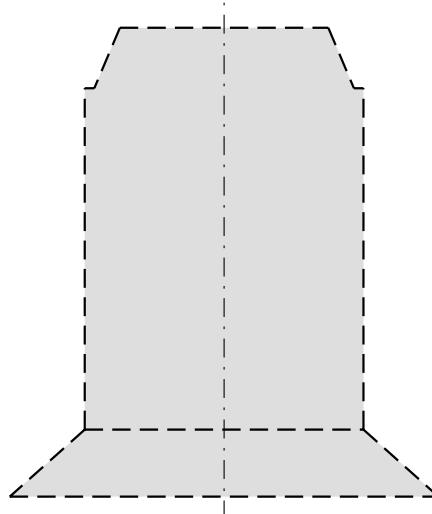
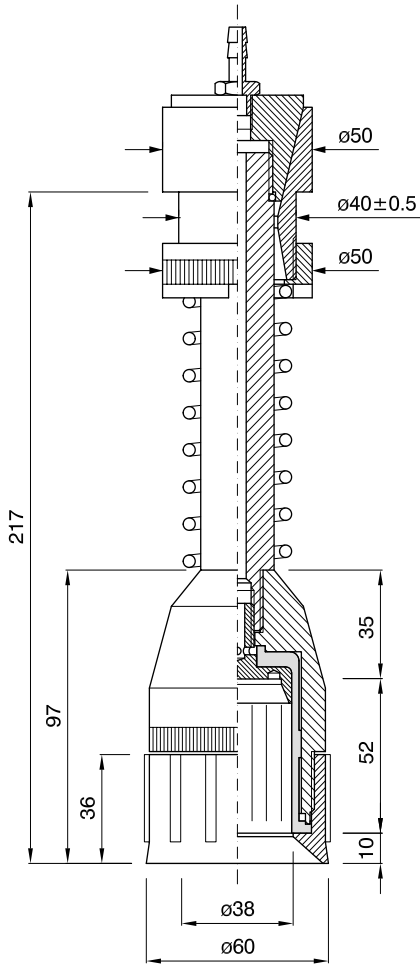
PICK-UP HEAD

TETE DE PREHENSION

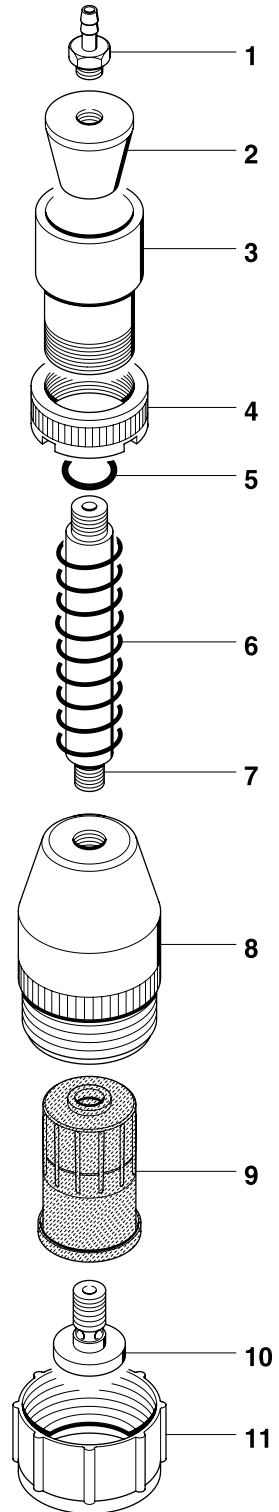
GREIFERKOPF

TULIPA

cod. 001.0044 ø 60

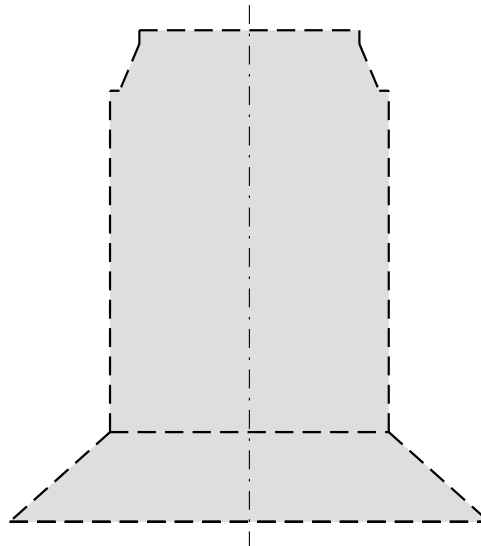
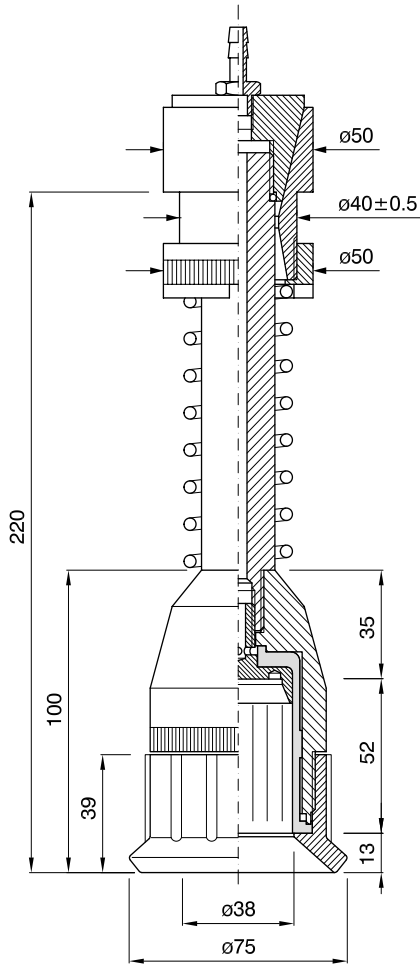


PROFILO INTERNO SCALA 1:1
INTERNAL SECTION SCALE 1:1
PROFIL INTERNE ECHELLE 1:1
INNENPROFIL MASSTAB 1:1
PERFIL INTERIOR ESCALA 1:1

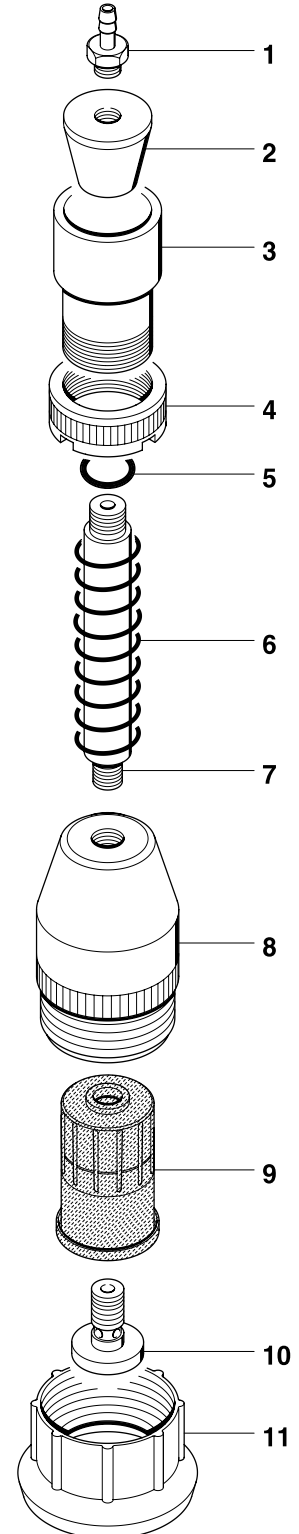


	COD.	MATERIALE	MATERIAL	MATERIEL	WERKSTOFF	MATERIAL
1	024.0001	OTTONE	BRASS	LAITON	MESSING	LATON
2	025.0003	PA	PA	PA	PA	PA
3	026.0003	PA	PA	PA	PA	PA
4	026.0013	PA	PA	PA	PA	PA
5	057.0037	GOMMA	RUBBER	CAOUTCHOUC	GUMMI	GOMA
6	029.0009	AISI	STAINLESS STEEL	ACIER INOXYDABLE	ROSTFREIER STAHL	ACERO INOXIDABLE
7	028.0011	AL	AL	AL	AL	AL
8	027.0036	PA	PA	PA	PA	PA
9	040.0023	GOMMA / TPU	RUBBER / TPU	CAOUTCHOUC TPU	GUMMI / TPU	GOMA / TPU
10	030.0011	AL	AL	AL	AL	AL
11	026.0066	PA	PA	PA	PA	PA

cod. 001.0045 ø 75

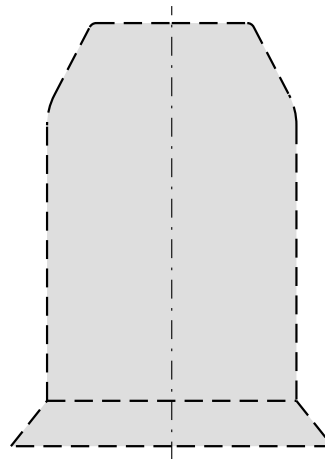
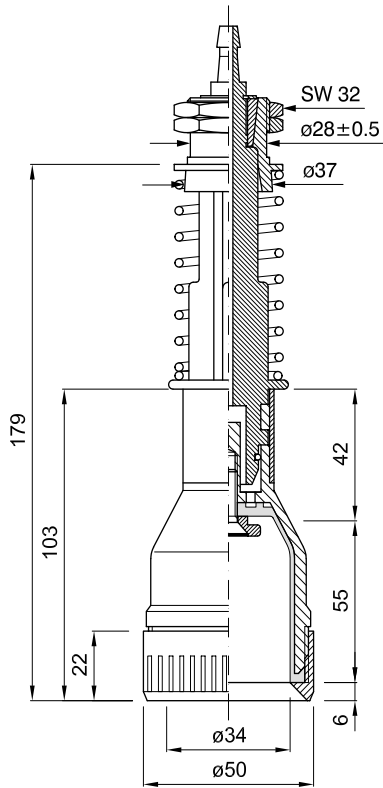


PROFILO INTERNO SCALA 1:1
INTERNAL SECTION SCALE 1:1
PROFIL INTERNE ECHELLE 1:1
INNENPROFIL MASSTAB 1:1
PERFIL INTERIOR ESCALA 1:1

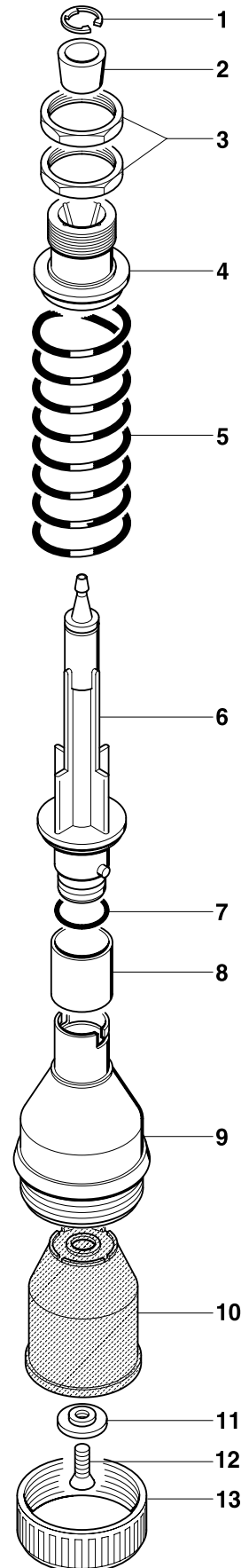


	COD.	MATERIALE	MATERIAL	MATERIEL	WERKSTOFF	MATERIAL
1	024.0001	OTTONE	BRASS	LAITON	MESSING	LATON
2	025.0003	PA	PA	PA	PA	PA
3	026.0003	PA	PA	PA	PA	PA
4	026.0013	PA	PA	PA	PA	PA
5	057.0037	GOMMA	RUBBER	CAOUTCHOUC	GUMMI	GOMA
6	029.0009	AISI	STAINLESS STEEL	ACIER INOXYDABLE	ROSTFREIER STAHL	ACERO INOXIDABLE
7	028.0011	AL	AL	AL	AL	AL
8	027.0036	PA	PA	PA	PA	PA
9	040.0023	GOMMA / TPU	RUBBER / TPU	CAOUTCHOUC TPU	GUMMI / TPU	GOMA / TPU
10	030.0011	AL	AL	AL	AL	AL
11	026.0067	PA	PA	PA	PA	PA

cod. 001.0068 ø 50

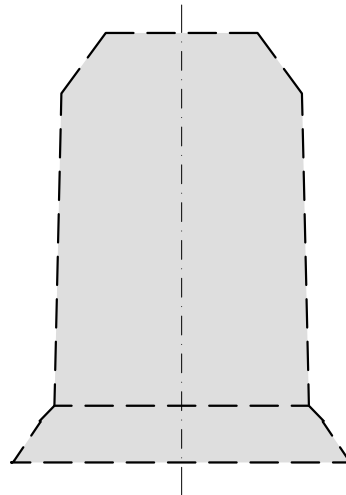
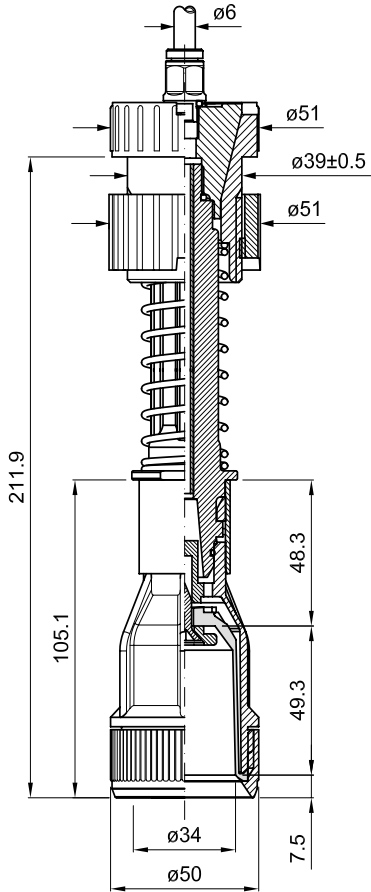


PROFILO INTERNO SCALA 1:1
INTERNAL SECTION SCALE 1:1
PROFIL INTERNE ECHELLE 1:1
INNENPROFIL MASSTAB 1:1
PERFIL INTERIOR ESCALA 1:1

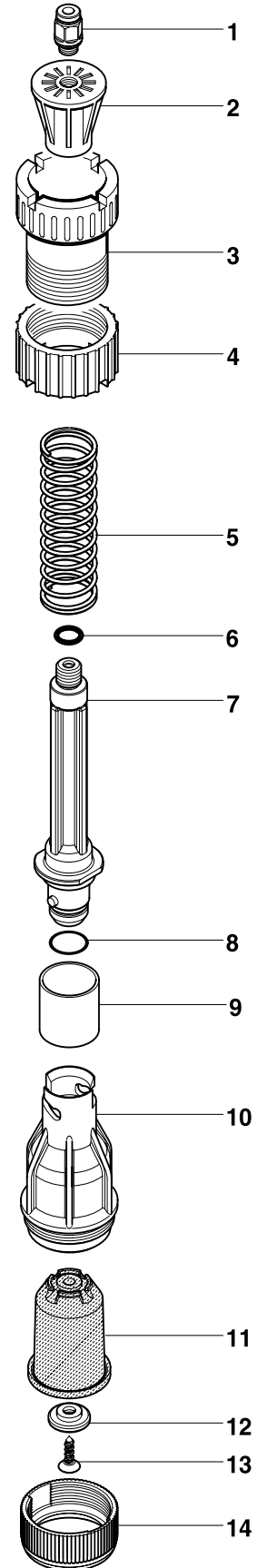


	COD.	MATERIALE	MATERIAL	MATERIEL	WERKSTOFF	MATERIAL
1	032.0014	AISI	STAINLESS STEEL	ACIER INOXYDABLE	ROSTFREIER STAHL	ACERO INOXIDABLE
2	025.0002	PA	PA	PA	PA	PA
3	032.0015	OTTONE	BRASS	LAITON	MESSING	LATON
4	026.0002	PA	PA	PA	PA	PA
5	029.0008	AISI	STAINLESS STEEL	ACIER INOXYDABLE	ROSTFREIER STAHL	ACERO INOXIDABLE
6	028.0010	PA	PA	PA	PA	PA
7	057.0017	GOMMA	RUBBER	CAOUTCHOUC	GUMMI	GOMA
8	026.0063	PP	PP	PP	PP	PP
9	027.0054	PA	PA	PA	PA	PA
10	040.0121	GOMMA / TPU	RUBBER / TPU	CAOUTCHOUC TPU	GUMMI / TPU	GOMA / TPU
11	030.0043	PA	PA	PA	PA	PA
12	032.0012	AISI	STAINLESS STEEL	ACIER INOXYDABLE	ROSTFREIER STAHL	ACERO INOXIDABLE
13	026.0106	PA	PA	PA	PA	PA

cod. 001.0136 ø 50



PROFILO INTERNO SCALA 1:1
 INTERNAL SECTION SCALE 1:1
 PROFIL INTERNE ECHELLE 1:1
 INNENPROFIL MASSTAB 1:1
 PERFIL INTERIOR ESCALA 1:1



	COD.	MATERIALE	MATERIAL	MATERIEL	WERKSTOFF	MATERIAL
1	024.0007	OTTONE	BRASS	LAITON	MESSING	LATON
2	025.00011	PA	PA	PA	PA	PA
3	026.00011	PA	PA	PA	PA	PA
4	026.00111	PA	PA	PA	PA	PA
5	029.0001	AISI	STAINLESS STEEL	ACIER INOXYDABLE	ROSTFREIER STAHL	ACERO INOXIDABLE
6	057.0033	GOMMA	RUBBER	CAOUTCHOUC	GUMMI	GOMA
7	028.0055	PA	PA	PA	PA	PA
8	057.0017	GOMMA	RUBBER	CAOUTCHOUC	GUMMI	GOMA
9	026.0063	PP	PP	PP	PP	PP
10	027.0054	PA	PA	PA	PA	PA
11	040.0121	GOMMA/TPU	RUBBER/TPU	CAOUTCHOUC/TPU	GUMMI/TPU	GOMA/TPU
12	030.0043	PA	PA	PA	PA	PA
13	032.0012	AISI	STAINLESS STEEL	ACIER INOXYDABLE	ROSTFREIER STAHL	ACERO INOXIDABLE
14	026.0106	PA	PA	PA	PA	PA

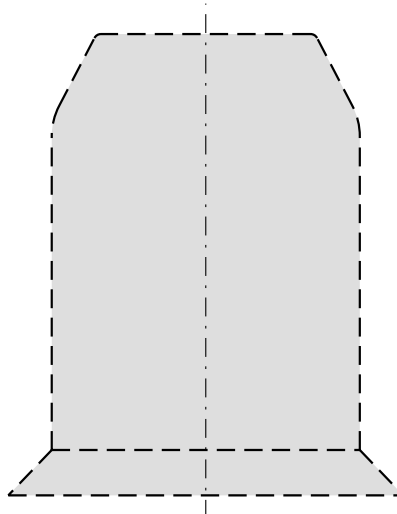
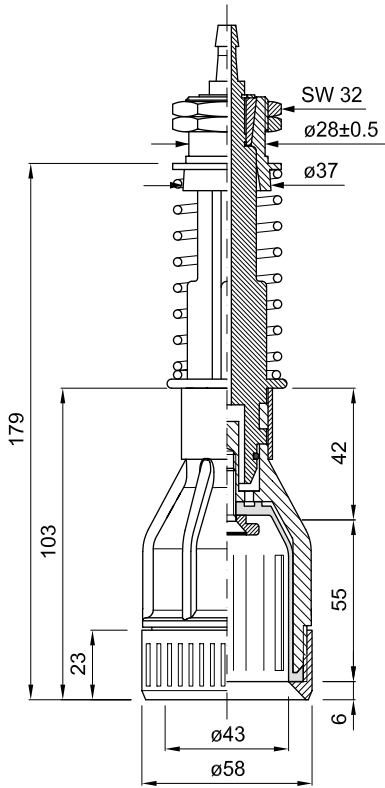
PICK-UP HEAD

TETE DE PREHENSION

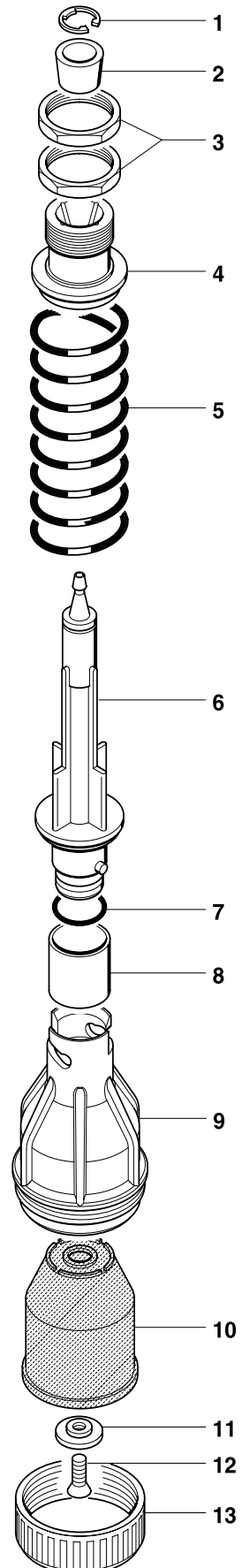
GREIFERKOPF

TULIPA

cod. 001.0042 ø 58

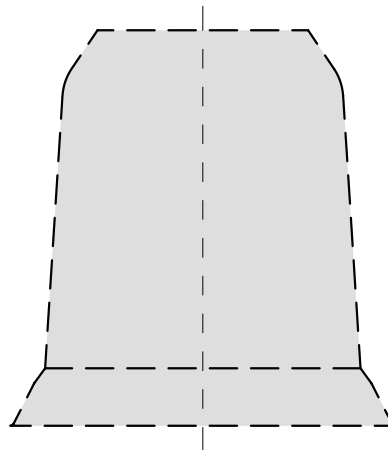
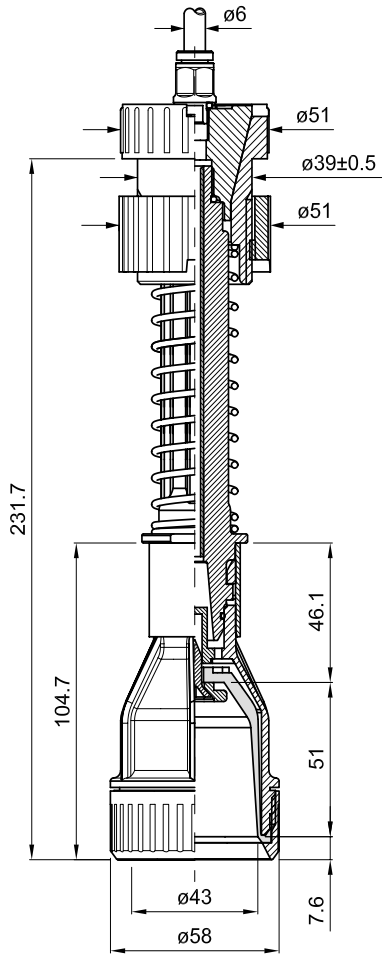


PROFILO INTERNO SCALA 1:1
INTERNAL SECTION SCALE 1:1
PROFIL INTERNE ECHELLE 1:1
INNENPROFIL MASSTAB 1:1
PERFIL INTERIOR ESCALA 1:1

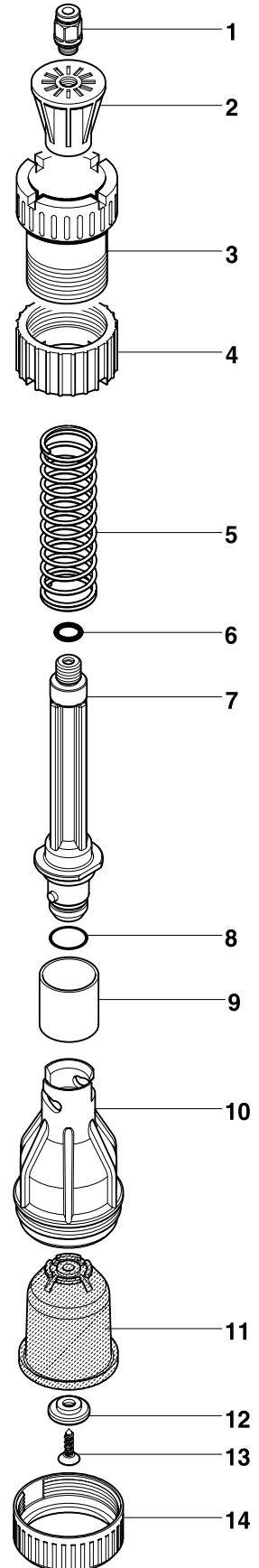


	COD.	MATERIALE	MATERIAL	MATERIEL	WERKSTOFF	MATERIAL
1	032.0014	AISI	STAINLESS STEEL	ACIER INOXYDABLE	ROSTFREIER STAHL	ACERO INOXIDABLE
2	025.0002	PA	PA	PA	PA	PA
3	032.0015	OTTONE	BRASS	LAITON	MESSING	LATON
4	026.0002	PA	PA	PA	PA	PA
5	029.0008	AISI	STAINLESS STEEL	ACIER INOXYDABLE	ROSTFREIER STAHL	ACERO INOXIDABLE
6	028.0010	PA	PA	PA	PA	PA
7	057.0017	GOMMA	RUBBER	CAOUTCHOUC	GUMMI	GOMA
8	026.0063	PP	PP	PP	PP	PP
9	027.0035	PA	PA	PA	PA	PA
10	040.0053	GOMMA / TPU	RUBBER / TPU	CAOUTCHOUC TPU	GUMMI / TPU	GOMA / TPU
11	030.0043	PA	PA	PA	PA	PA
12	032.0012	AISI	STAINLESS STEEL	ACIER INOXYDABLE	ROSTFREIER STAHL	ACERO INOXIDABLE
13	026.0064	PA	PA	PA	PA	PA

cod. 001.0137 ø 58

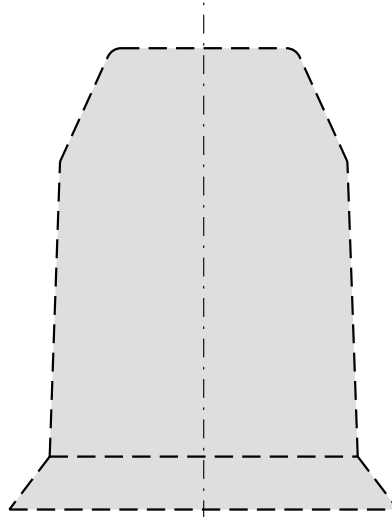
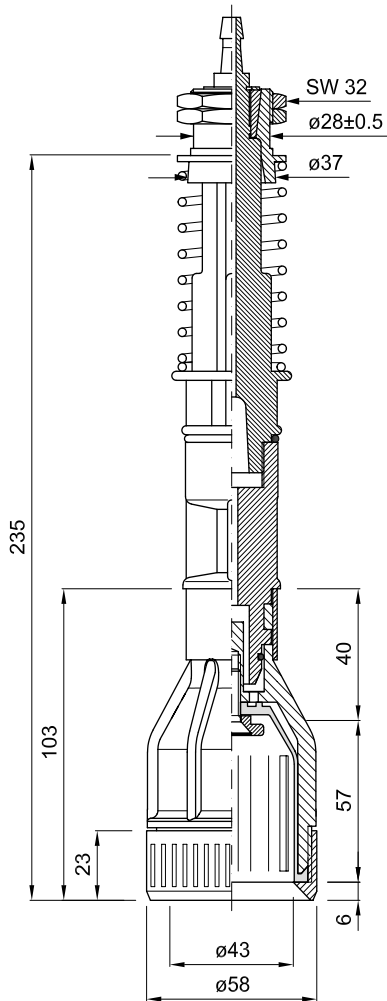


PROFILO INTERNO SCALA 1:1
INTERNAL SECTION SCALE 1:1
PROFIL INTERNE ECHELLE 1:1
INNENPROFIL MASSTAB 1:1
PERFIL INTERIOR ESCALA 1:1

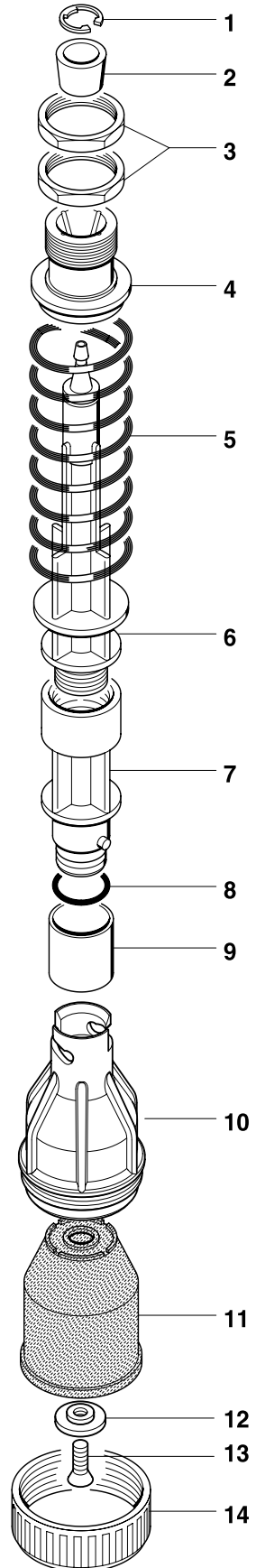


	COD.	MATERIALE	MATERIAL	MATERIEL	WERKSTOFF	MATERIAL
1	024.0007	OTTONE	BRASS	LAITON	MESSING	LATON
2	025.00011	PA	PA	PA	PA	PA
3	026.00011	PA	PA	PA	PA	PA
4	026.00111	PA	PA	PA	PA	PA
5	029.0001	AISI	STAINLESS STEEL	ACIER INOXYDABLE	ROSTFREIER STAHL	ACERO INOXIDABLE
6	057.0033	GOMMA	RUBBER	CAOUTCHOUC	GUMMI	GOMA
7	028.0055	PA	PA	PA	PA	PA
8	057.0017	GOMMA	RUBBER	CAOUTCHOUC	GUMMI	GOMA
9	026.0063	PP	PP	PP	PP	PP
10	027.0035	PA	PA	PA	PA	PA
11	040.0053	GOMMA/TPU	RUBBER/TPU	CAOUTCHOUC/TPU	GUMMI/TPU	GOMA/TPU
12	030.0043	PA	PA	PA	PA	PA
13	032.0012	AISI	STAINLESS STEEL	ACIER INOXYDABLE	ROSTFREIER STAHL	ACERO INOXIDABLE
14	026.0064	PA	PA	PA	PA	PA

cod. 001.00421 ø 58



PROFILO INTERNO SCALA 1:1
INTERNAL SECTION SCALE 1:1
PROFIL INTERNE ECHELLE 1:1
INNENPROFIL MASSTAB 1:1
PERFIL INTERIOR ESCALA 1:1



	COD.	MATERIALE	MATERIAL	MATERIEL	WERKSTOFF	MATERIAL
1	032.0014	AISI	STAINLESS STEEL	ACIER INOXYDABLE	ROSTFREIER STAHL	ACERO INOXIDABLE
2	025.0002	PA	PA	PA	PA	PA
3	032.0015	AISI	STAINLESS STEEL	ACIER INOXYDABLE	ROSTFREIER STAHL	ACERO INOXIDABLE
4	026.0002	PA	PA	PA	PA	PA
5	029.0008	AISI	STAINLESS STEEL	ACIER INOXYDABLE	ROSTFREIER STAHL	ACERO INOXIDABLE
6	028.0037	PA	PA	PA	PA	PA
7	028.0035	PA	PA	PA	PA	PA
8	057.0017	GOMMA	RUBBER	CAOUTCHOUC	GUMMI	GOMA
9	026.00631	PP	PP	PP	PP	PP
10	027.0035	PA	PA	PA	PA	PA
11	040.0053	GOMMA / TPU	RUBBER / TPU	CAOUTCHOUC TPU	GUMMI / TPU	GOMA / TPU
12	030.0043	PA	PA	PA	PA	PA
13	032.0012	AISI	STAINLESS STEEL	ACIER INOXYDABLE	ROSTFREIER STAHL	ACERO INOXIDABLE
14	026.0064	PA	PA	PA	PA	PA

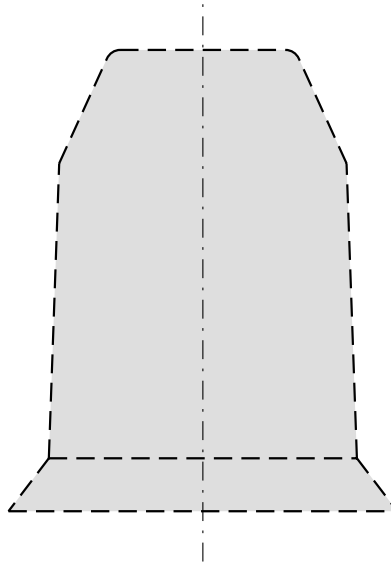
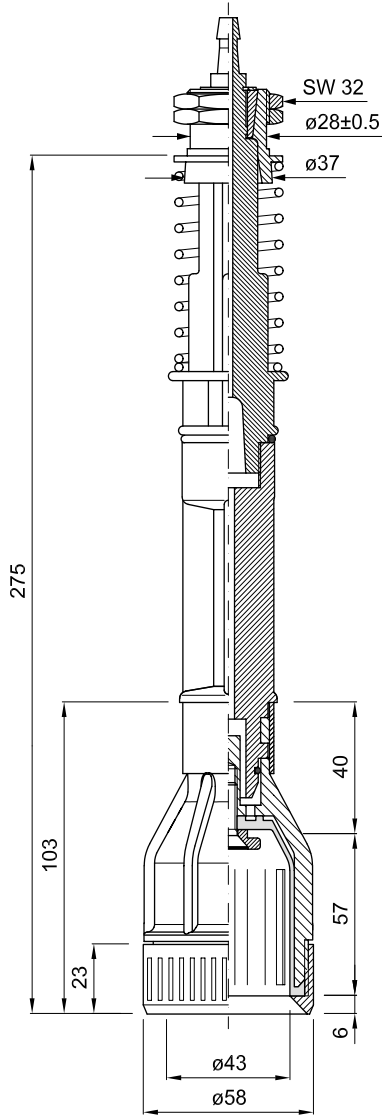
PICK-UP HEAD

TETE DE PREHENSION

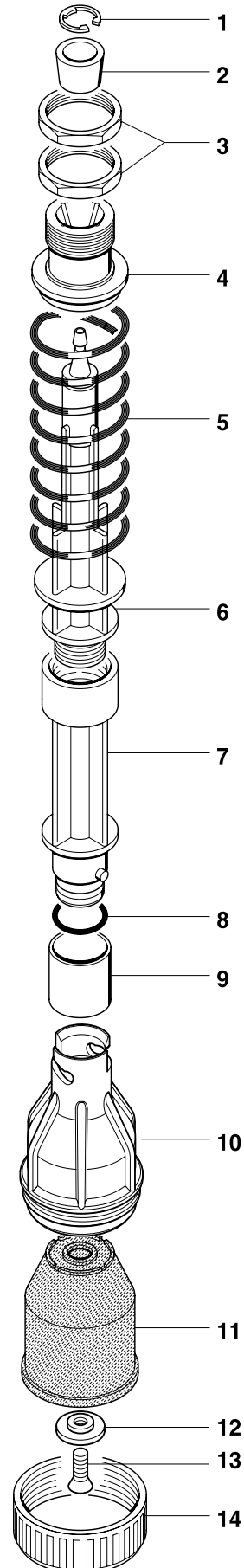
GREIFERKOPF

TULIPA

cod. 001.00422 ø 58

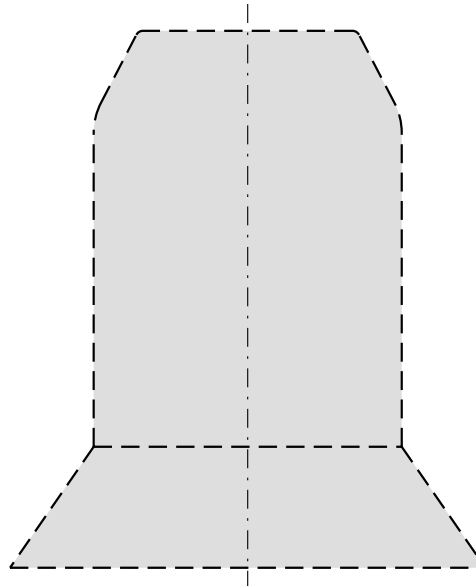
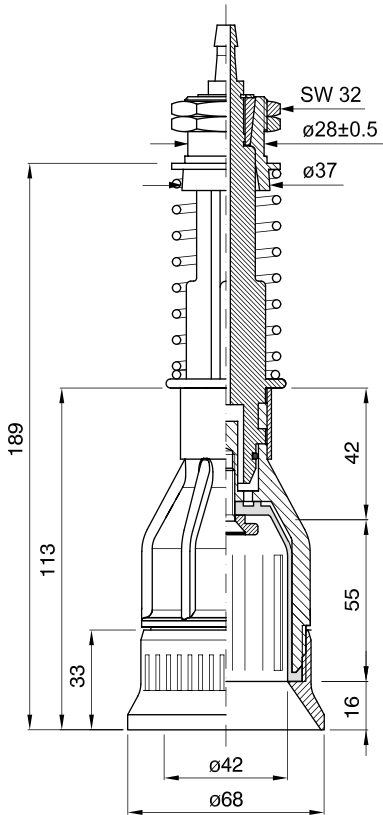


PROFILO INTERNO SCALA 1:1
INTERNAL SECTION SCALE 1:1
PROFIL INTERNE ECHELLE 1:1
INNENPROFIL MASSTAB 1:1
PERFIL INTERIOR ESCALA 1:1

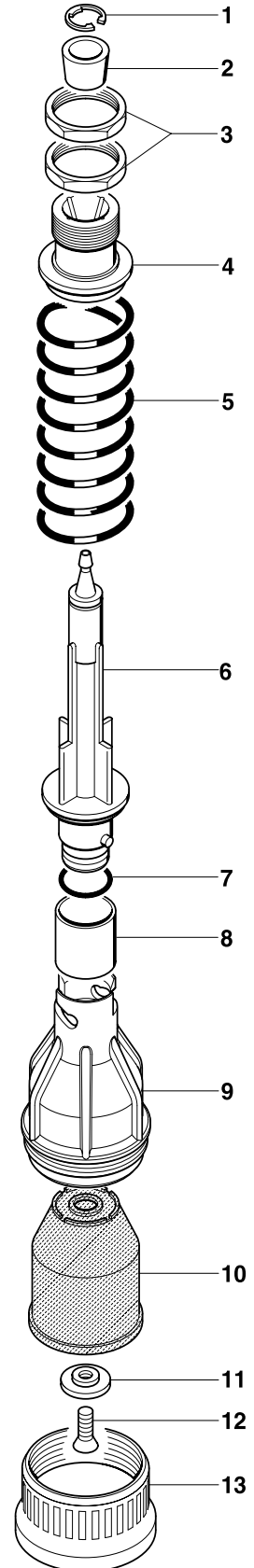


	COD.	MATERIALE	MATERIAL	MATERIEL	WERKSTOFF	MATERIAL
1	032.0014	AISI	STAINLESS STEEL	ACIER INOXYDABLE	ROSTFREIER STAHL	ACERO INOXIDABLE
2	025.0002	PA	PA	PA	PA	PA
3	032.0015	AISI	STAINLESS STEEL	ACIER INOXYDABLE	ROSTFREIER STAHL	ACERO INOXIDABLE
4	026.0002	PA	PA	PA	PA	PA
5	029.0008	AISI	STAINLESS STEEL	ACIER INOXYDABLE	ROSTFREIER STAHL	ACERO INOXIDABLE
6	028.0037	PA	PA	PA	PA	PA
7	028.0036	PA	PA	PA	PA	PA
8	057.0017	GOMMA	RUBBER	CAOUTCHOUC	GUMMI	GOMA
9	026.00631	PP	PP	PP	PP	PP
10	027.0035	PA	PA	PA	PA	PA
11	040.0053	GOMMA / TPU	RUBBER / TPU	CAOUTCHOUC TPU	GUMMI / TPU	GOMA / TPU
12	030.0043	PA	PA	PA	PA	PA
13	032.0012	AISI	STAINLESS STEEL	ACIER INOXYDABLE	ROSTFREIER STAHL	ACERO INOXIDABLE
14	026.0064	PA	PA	PA	PA	PA

cod. 001.0043 ø 68

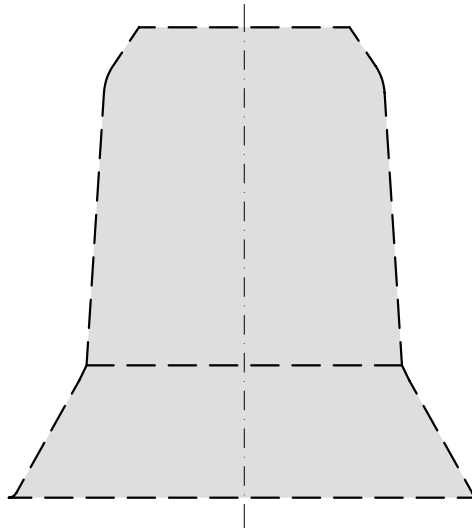
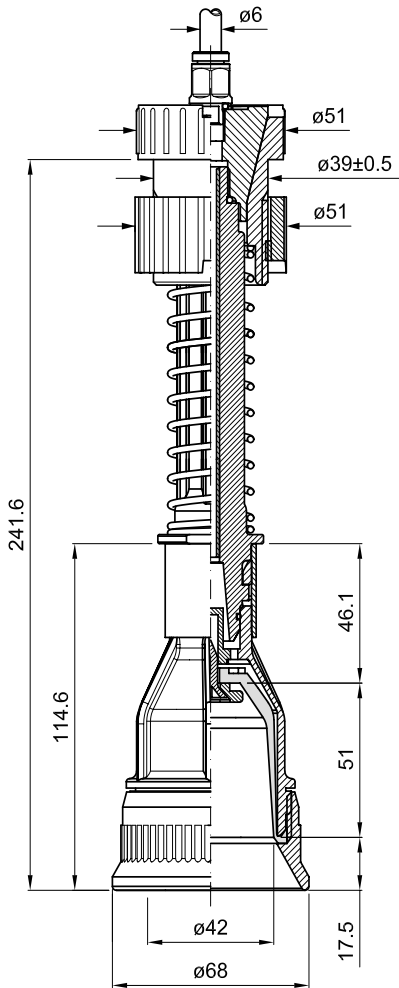


PROFILO INTERNO SCALA 1:1
INTERNAL SECTION SCALE 1:1
PROFIL INTERNE ECHELLE 1:1
INNENPROFIL MASSTAB 1:1
PERFIL INTERIOR ESCALA 1:1

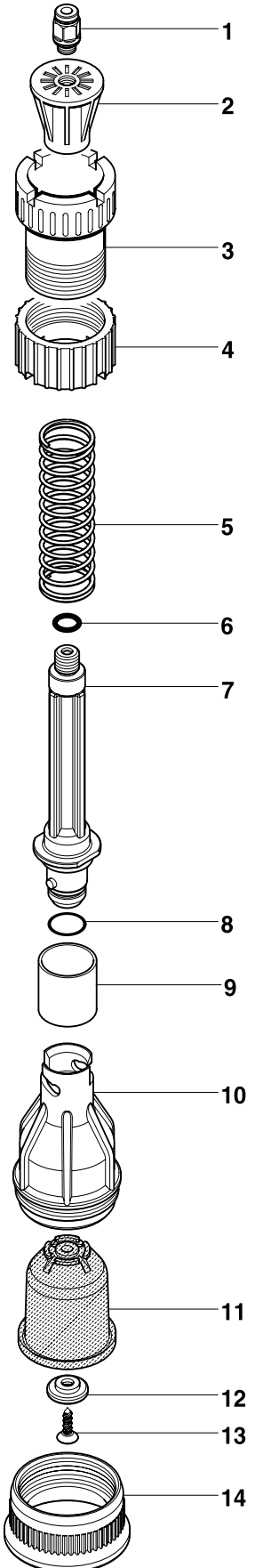


	COD.	MATERIALE	MATERIAL	MATERIEL	WERKSTOFF	MATERIAL
1	032.0014	AISI	STAINLESS STEEL	ACIER INOXYDABLE	ROSTFREIER STAHL	ACERO INOXIDABLE
2	025.0002	PA	PA	PA	PA	PA
3	032.0015	OTTONE	BRASS	LAITON	MESSING	LATON
4	026.0002	PA	PA	PA	PA	PA
5	029.0008	AISI	STAINLESS STEEL	ACIER INOXYDABLE	ROSTFREIER STAHL	ACERO INOXIDABLE
6	028.0010	PA	PA	PA	PA	PA
7	057.0017	GOMMA	RUBBER	CAOUTCHOUC	GUMMI	GOMA
8	026.0063	PP	PP	PP	PP	PP
9	027.0035	PA	PA	PA	PA	PA
10	040.0053	GOMMA / TPU	RUBBER / TPU	CAOUTCHOUC TPU	GUMMI / TPU	GOMA / TPU
11	030.0043	PA	PA	PA	PA	PA
12	032.0012	AISI	STAINLESS STEEL	ACIER INOXYDABLE	ROSTFREIER STAHL	ACERO INOXIDABLE
13	026.0065	PA	PA	PA	PA	PA

cod. 001.0138 ø 68

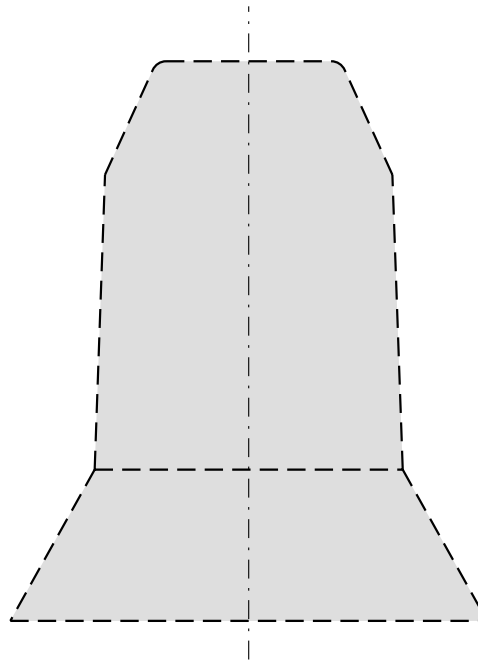
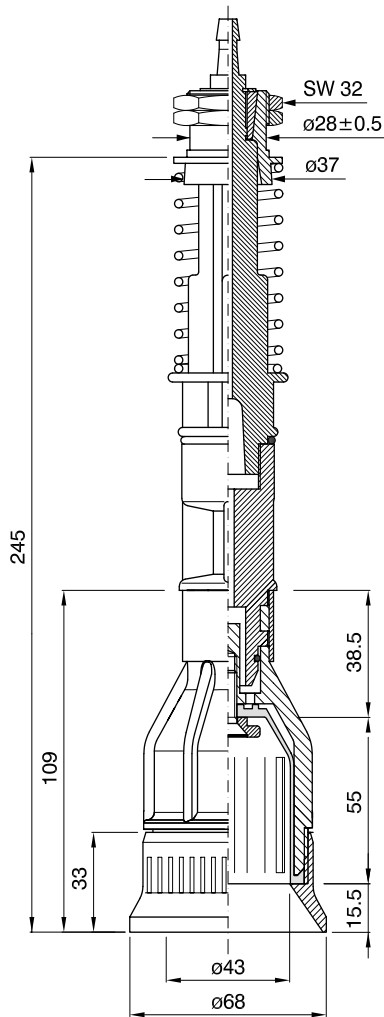


PROFILO INTERNO SCALA 1:1
INTERNAL SECTION SCALE 1:1
PROFIL INTERNE ECHELLE 1:1
INNENPROFIL MASSTAB 1:1
PERFIL INTERIOR ESCALA 1:1

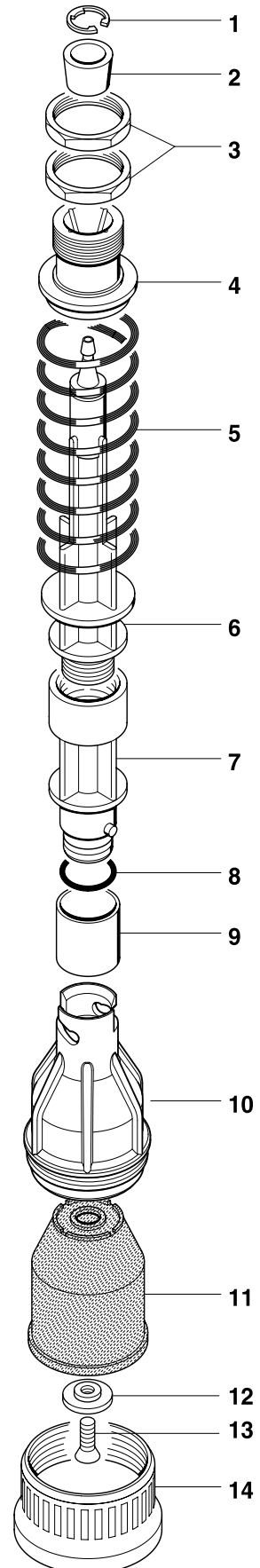


	COD.	MATERIALE	MATERIAL	MATERIEL	WERKSTOFF	MATERIAL
1	024.0007	OTTONE	BRASS	LAITON	MESSING	LATON
2	025.00011	PA	PA	PA	PA	PA
3	026.00011	PA	PA	PA	PA	PA
4	026.00111	PA	PA	PA	PA	PA
5	029.0001	AISI	STAINLESS STEEL	ACIER INOXYDABLE	ROSTFREIER STAHL	ACERO INOXIDABLE
6	057.0033	GOMMA	RUBBER	CAOUTCHOUC	GUMMI	GOMA
7	028.0055	PA	PA	PA	PA	PA
8	057.0017	GOMMA	RUBBER	CAOUTCHOUC	GUMMI	GOMA
9	026.0063	PP	PP	PP	PP	PP
10	027.0035	PA	PA	PA	PA	PA
11	040.0053	GOMMA/TPU	RUBBER/TPU	CAOUTCHOUC/TPU	GUMMI/TPU	GOMA/TPU
12	030.0043	PA	PA	PA	PA	PA
13	032.0012	AISI	STAINLESS STEEL	ACIER INOXYDABLE	ROSTFREIER STAHL	ACERO INOXIDABLE
14	026.0065	PA	PA	PA	PA	PA

cod. 001.00431 ø 68



PROFILO INTERNO SCALA 1:1
INTERNAL SECTION SCALE 1:1
PROFIL INTERNE ECHELLE 1:1
INNENPROFIL MASSTAB 1:1
PERFIL INTERIOR ESCALA 1:1



	COD.	MATERIALE	MATERIAL	MATERIEL	WERKSTOFF	MATERIAL
1	032.0014	AISI	STAINLESS STEEL	ACIER INOXYDABLE	ROSTFREIER STAHL	ACERO INOXIDABLE
2	025.0002	PA	PA	PA	PA	PA
3	032.0015	AISI	STAINLESS STEEL	ACIER INOXYDABLE	ROSTFREIER STAHL	ACERO INOXIDABLE
4	026.0002	PA	PA	PA	PA	PA
5	029.0008	AISI	STAINLESS STEEL	ACIER INOXYDABLE	ROSTFREIER STAHL	ACERO INOXIDABLE
6	028.0037	PA	PA	PA	PA	PA
7	028.0035	PA	PA	PA	PA	PA
8	057.0017	GOMMA	RUBBER	CAOUTCHOUC	GUMMI	GOMA
9	026.00631	PP	PP	PP	PP	PP
10	027.0035	PA	PA	PA	PA	PA
11	040.0053	GOMMA / TPU	RUBBER / TPU	CAOUTCHOUC TPU	GUMMI / TPU	GOMA / TPU
12	030.0043	PA	PA	PA	PA	PA
13	032.0012	AISI	STAINLESS STEEL	ACIER INOXYDABLE	ROSTFREIER STAHL	ACERO INOXIDABLE
14	026.0065	PA	PA	PA	PA	PA

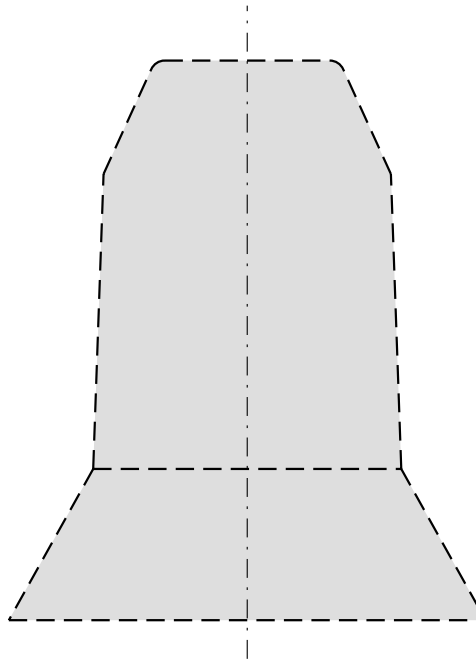
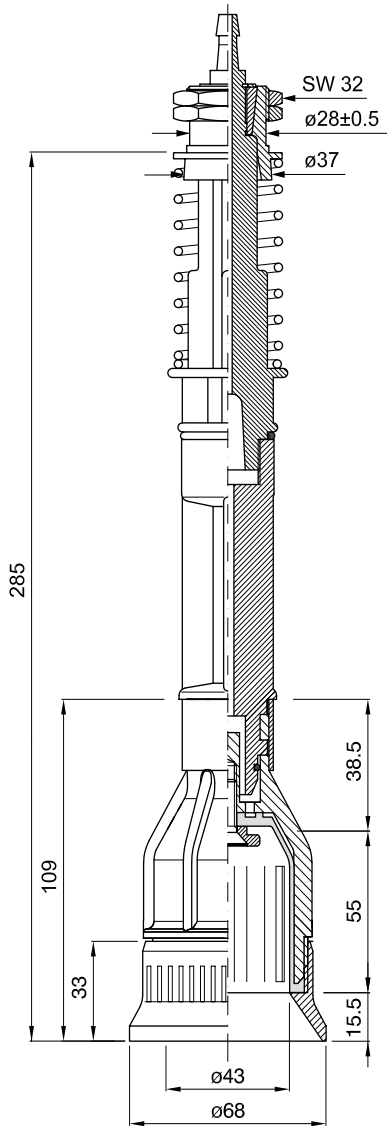
PICK-UP HEAD

TETE DE PREHENSION

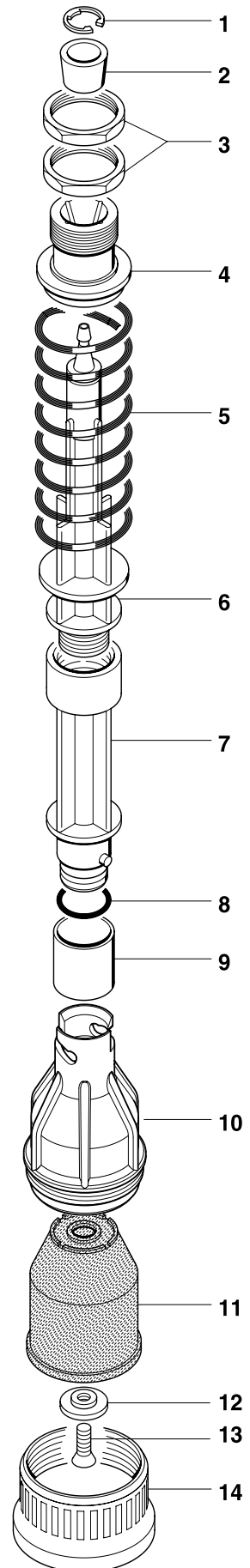
GREIFERKOPF

TULIPA

cod. 001.00432 ø 68



PROFILO INTERNO SCALA 1:1
INTERNAL SECTION SCALE 1:1
PROFIL INTERNE ECHELLE 1:1
INNENPROFIL MASSTAB 1:1
PERFIL INTERIOR ESCALA 1:1



	COD.	MATERIALE	MATERIAL	MATERIEL	WERKSTOFF	MATERIAL
1	032.0014	AISI	STAINLESS STEEL	ACIER INOXYDABLE	ROSTFREIER STAHL	ACERO INOXIDABLE
2	025.0002	PA	PA	PA	PA	PA
3	032.0015	AISI	STAINLESS STEEL	ACIER INOXYDABLE	ROSTFREIER STAHL	ACERO INOXIDABLE
4	026.0002	PA	PA	PA	PA	PA
5	029.0008	AISI	STAINLESS STEEL	ACIER INOXYDABLE	ROSTFREIER STAHL	ACERO INOXIDABLE
6	028.0037	PA	PA	PA	PA	PA
7	028.0036	PA	PA	PA	PA	PA
8	057.0017	GOMMA	RUBBER	CAOUTCHOUC	GUMMI	GOMA
9	026.00631	PP	PP	PP	PP	PP
10	027.0035	PA	PA	PA	PA	PA
11	040.0053	GOMMA / TPU	RUBBER / TPU	CAOUTCHOUC TPU	GUMMI / TPU	GOMA / TPU
12	030.0043	PA	PA	PA	PA	PA
13	032.0012	AISI	STAINLESS STEEL	ACIER INOXYDABLE	ROSTFREIER STAHL	ACERO INOXIDABLE
14	026.0065	PA	PA	PA	PA	PA

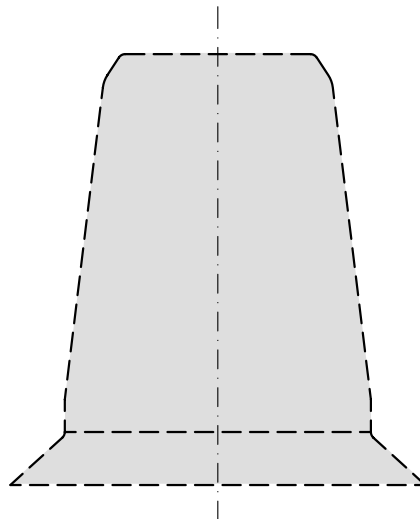
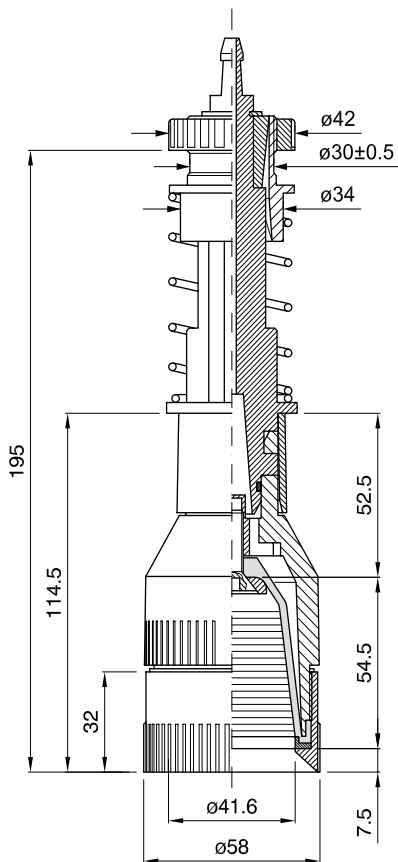
PICK-UP HEAD

TETE DE PREHENSION

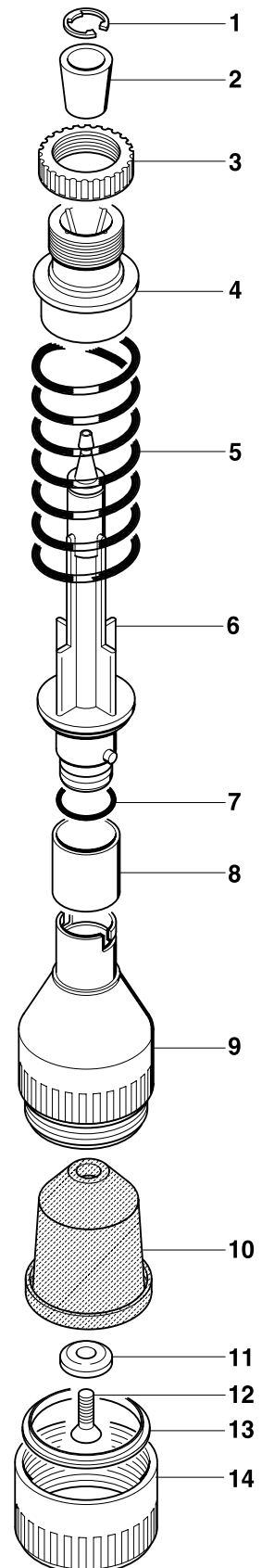
GREIFERKOPF

TULIPA

cod. 001.0108 ø 58

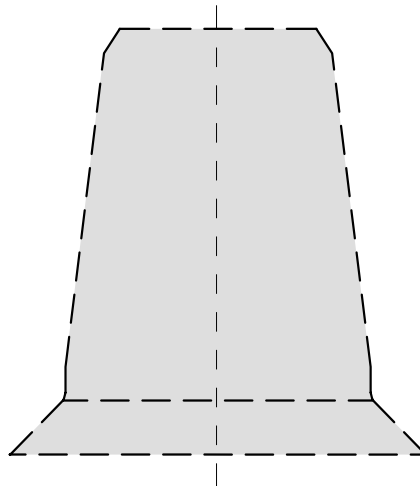
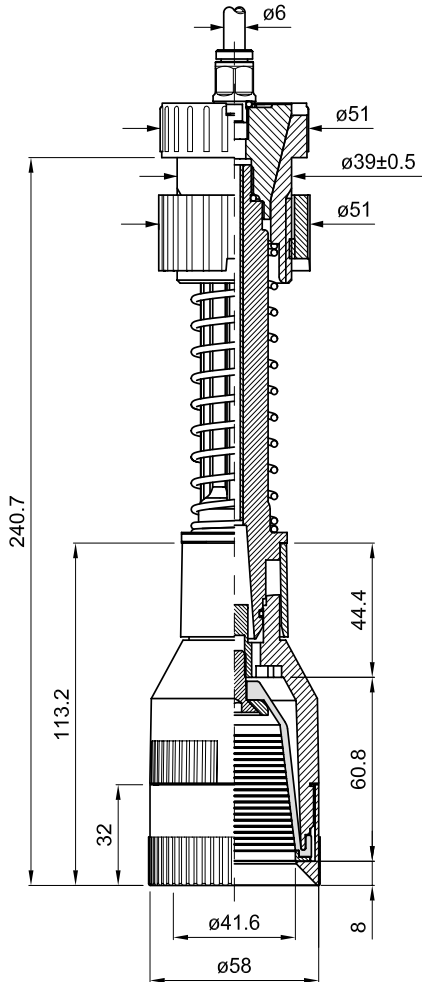


PROFILO INTERNO SCALA 1:1
INTERNAL SECTION SCALE 1:1
PROFIL INTERNE ECHELLE 1:1
INNENPROFIL MASSTAB 1:1
PERFIL INTERIOR ESCALA 1:1

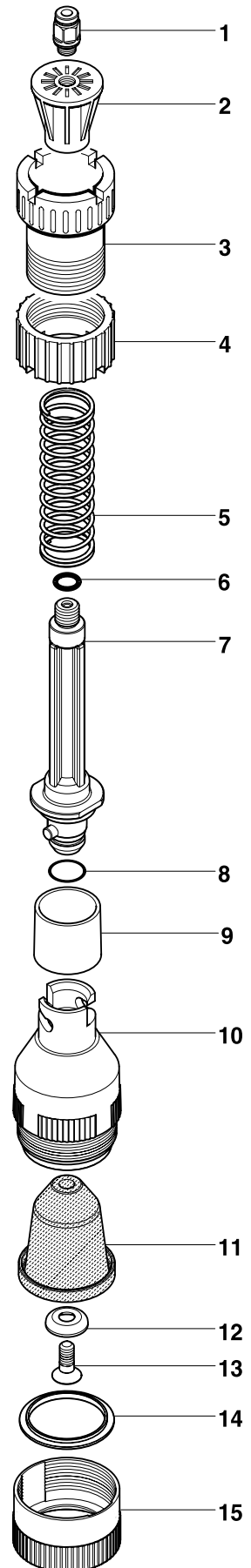


	COD.	MATERIALE	MATERIAL	MATERIEL	WERKSTOFF	MATERIAL
1	032.0056	AISI	STAINLESS STEEL	ACIER INOXYDABLE	ROSTFREIER STAHL	ACERO INOXIDABLE
2	025.0008	PA	PA	PA	PA	PA
3	026.0007	PA	PA	PA	PA	PA
4	026.0008	PA	PA	PA	PA	PA
5	029.0032	AISI	STAINLESS STEEL	ACIER INOXYDABLE	ROSTFREIER STAHL	ACERO INOXIDABLE
6	028.0047	PA	PA	PA	PA	PA
7	057.0017	GOMMA	RUBBER	CAOUTCHOUC	GUMMI	GOMA
8	026.0132	PP	PP	PP	PP	PP
9	027.0085	PA	PA	PA	PA	PA
10	040.0154	TPU	TPU	TPU	TPU	TPU
11	030.0040	PA	PA	PA	PA	PA
12	032.0057	AISI	STAINLESS STEEL	ACIER INOXYDABLE	ROSTFREIER STAHL	ACERO INOXIDABLE
13	032.0418	AISI	STAINLESS STEEL	ACIER INOXYDABLE	ROSTFREIER STAHL	ACERO INOXIDABLE
14	026.0133	PA	PA	PA	PA	PA

cod. 001.0139 ø 58

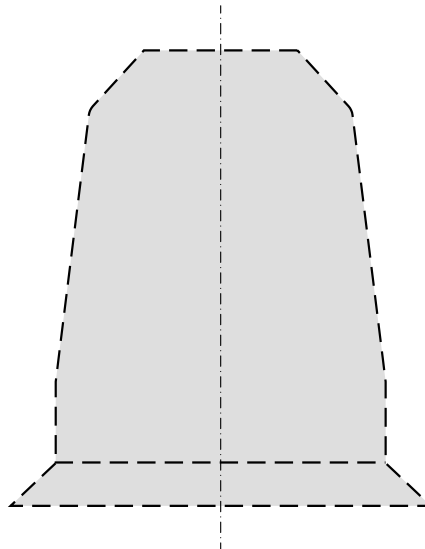
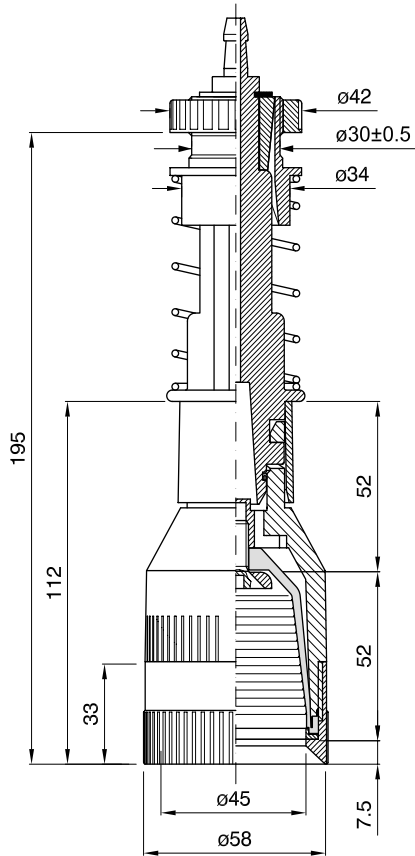


PROFILO INTERNO SCALA 1:1
INTERNAL SECTION SCALE 1:1
PROFIL INTERNE ECHELLE 1:1
INNENPROFIL MASSTAB 1:1
PERFIL INTERIOR ESCALA 1:1

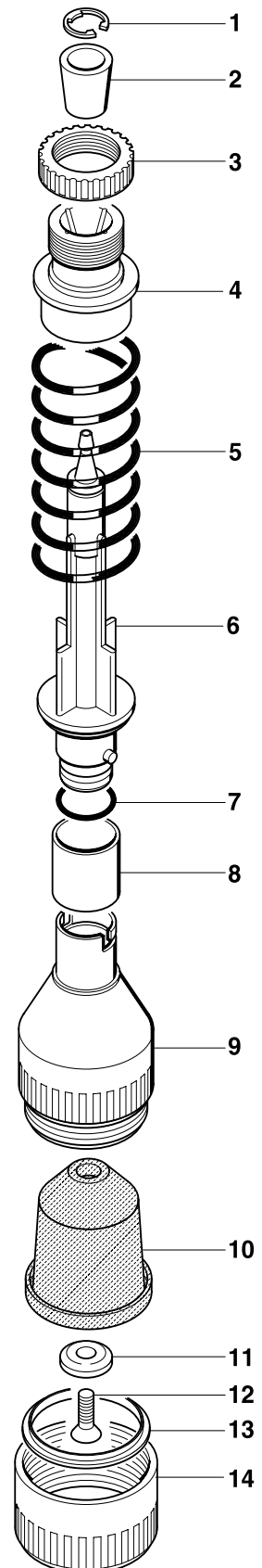


	COD.	MATERIALE	MATERIAL	MATERIEL	WERKSTOFF	MATERIAL
1	024.0007	OTTONE	BRASS	LAITON	MESSING	LATON
2	025.00012	PA	PA	PA	PA	PA
3	026.00012	PA	PA	PA	PA	PA
4	026.00112	PA	PA	PA	PA	PA
5	029.0001	AISI	STAINLESS STEEL	ACIER INOXYDABLE	ROSTFREIER STAHL	ACERO INOXIDABLE
6	057.0033	GOMMA	RUBBER	CAOUTCHOUC	GUMMI	GOMA
7	028.0056	PA	PA	PA	PA	PA
8	057.0017	GOMMA	RUBBER	CAOUTCHOUC	GUMMI	GOMA
9	026.0132	PP	PP	PP	PP	PP
10	027.0085	PA	PA	PA	PA	PA
11	040.0154	GOMMA/TPU	RUBBER/TPU	CAOUTCHOUC/TPU	GUMMI/TPU	GOMA/TPU
12	030.0040	PA	PA	PA	PA	PA
13	032.0057	AISI	STAINLESS STEEL	ACIER INOXYDABLE	ROSTFREIER STAHL	ACERO INOXIDABLE
14	032.0418	A.V.P.	A.V.P.	A.V.P.	A.V.P.	A.V.P.
15	026.0133	PA	PA	PA	PA	PA

cod. 001.0114 ø 58

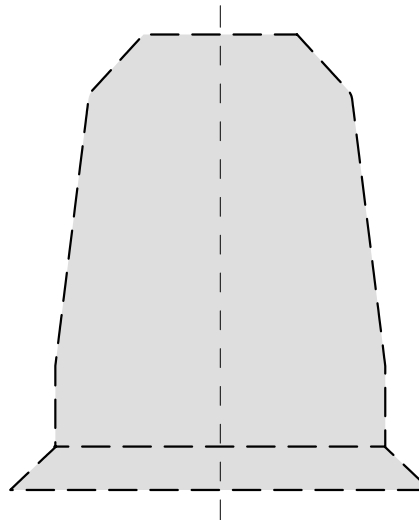
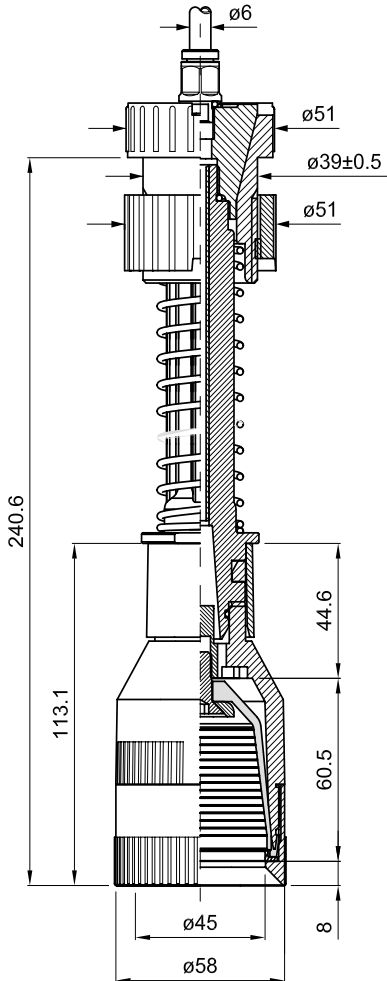


PROFILO INTERNO SCALA 1:1
INTERNAL SECTION SCALE 1:1
PROFIL INTERNE ECHELLE 1:1
INNENPROFIL MASSTAB 1:1
PERFIL INTERIOR ESCALA 1:1

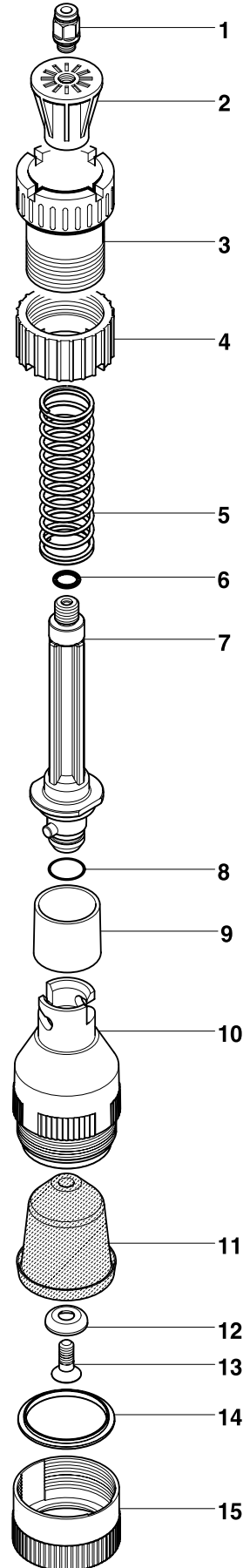


	COD.	MATERIALE	MATERIAL	MATERIEL	WERKSTOFF	MATERIAL
1	032.0056	AISI	STAINLESS STEEL	ACIER INOXYDABLE	ROSTFREIER STAHL	ACERO INOXIDABLE
2	025.0008	PA	PA	PA	PA	PA
3	026.0007	PA	PA	PA	PA	PA
4	026.0008	PA	PA	PA	PA	PA
5	029.0032	AISI	STAINLESS STEEL	ACIER INOXYDABLE	ROSTFREIER STAHL	ACERO INOXIDABLE
6	028.0047	PA	PA	PA	PA	PA
7	057.0017	GOMMA	RUBBER	CAOUTCHOUC	GUMMI	GOMA
8	026.0132	PP	PP	PP	PP	PP
9	027.0090	PA	PA	PA	PA	PA
10	040.0155	TPU	TPU	TPU	TPU	TPU
11	030.0040	PA	PA	PA	PA	PA
12	032.0057	AISI	STAINLESS STEEL	ACIER INOXYDABLE	ROSTFREIER STAHL	ACERO INOXIDABLE
13	032.0419	AISI	STAINLESS STEEL	ACIER INOXYDABLE	ROSTFREIER STAHL	ACERO INOXIDABLE
14	026.0138	PA	PA	PA	PA	PA

cod. 001.0140 ø 58

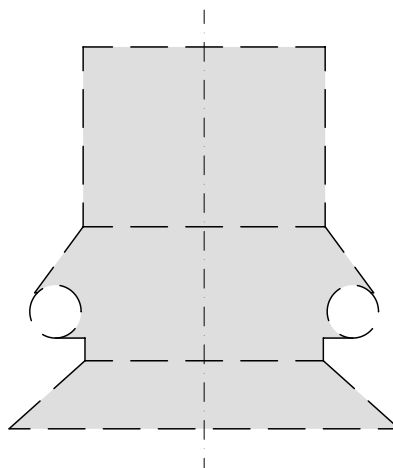
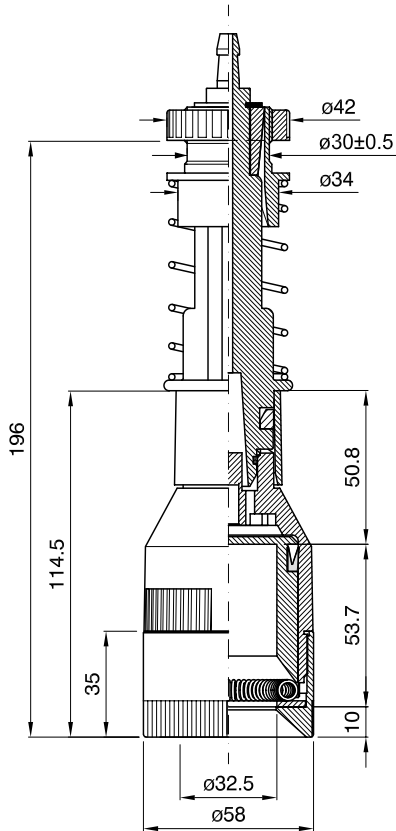


PROFILO INTERNO SCALA 1:1
 INTERNAL SECTION SCALE 1:1
 PROFIL INTERNE ECHELLE 1:1
 INNENPROFIL MASSTAB 1:1
 PERFIL INTERIOR ESCALA 1:1

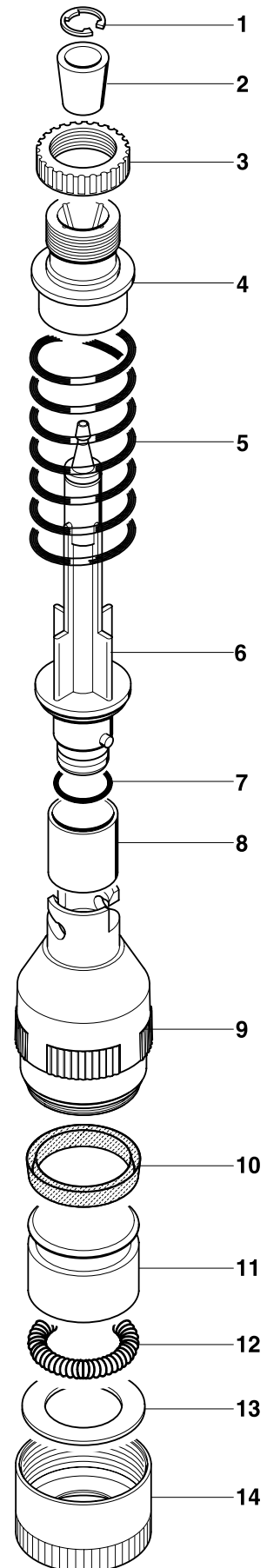


	COD.	MATERIALE	MATERIAL	MATERIEL	WERKSTOFF	MATERIAL
1	024.0007	OTTONE	BRASS	LAITON	MESSING	LATON
2	025.00012	PA	PA	PA	PA	PA
3	026.00012	PA	PA	PA	PA	PA
4	026.00112	PA	PA	PA	PA	PA
5	029.0001	AISI	STAINLESS STEEL	ACIER INOXYDABLE	ROSTFREIER STAHL	ACERO INOXIDABLE
6	057.0033	GOMMA	RUBBER	CAOUTCHOUC	GUMMI	GOMA
7	028.0056	PA	PA	PA	PA	PA
8	057.0017	GOMMA	RUBBER	CAOUTCHOUC	GUMMI	GOMA
9	026.0132	PP	PP	PP	PP	PP
10	027.0090	PA	PA	PA	PA	PA
11	040.0155	GOMMA/TPU	RUBBER/TPU	CAOUTCHOUC/TPU	GUMMI/TPU	GOMA/TPU
12	030.0040	PA	PA	PA	PA	PA
13	032.0057	AISI	STAINLESS STEEL	ACIER INOXYDABLE	ROSTFREIER STAHL	ACERO INOXIDABLE
14	032.0419	A.V.P.	A.V.P.	A.V.P.	A.V.P.	A.V.P.
15	026.0138	PA	PA	PA	PA	PA

cod. 001.0128 ø 58



PROFILO INTERNO SCALA 1:1
INTERNAL SECTION SCALE 1:1
PROFIL INTERNE ECHELLE 1:1
INNENPROFIL MASSTAB 1:1
PERFIL INTERIOR ESCALA 1:1



	COD.	MATERIALE	MATERIAL	MATERIEL	WERKSTOFF	MATERIAL
1	032.0056	AISI	STAINLESS STEEL	ACIER INOXYDABLE	ROSTFREIER STAHL	ACERO INOXIDABLE
2	025.0008	PA	PA	PA	PA	PA
3	026.0007	PA	PA	PA	PA	PA
4	026.0008	PA	PA	PA	PA	PA
5	029.0032	AISI	STAINLESS STEEL	ACIER INOXYDABLE	ROSTFREIER STAHL	ACERO INOXIDABLE
6	028.0047	PA	PA	PA	PA	PA
7	057.0017	GOMMA	RUBBER	CAOUTCHOUC	GUMMI	GOMA
8	026.0132	PP	PP	PP	PP	PP
9	027.0102	PA	PA	PA	PA	PA
10	041.0054	TPU	TPU	TPU	TPU	TPU
11	031.0037	PA	PA	PA	PA	PA
12	029.0004	AISI	STAINLESS STEEL	ACIER INOXYDABLE	ROSTFREIER STAHL	ACERO INOXIDABLE
13	032.0069	PA	PA	PA	PA	PA
14	026.0147	PA	PA	PA	PA	PA

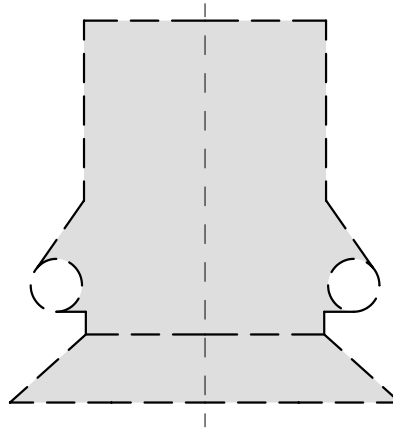
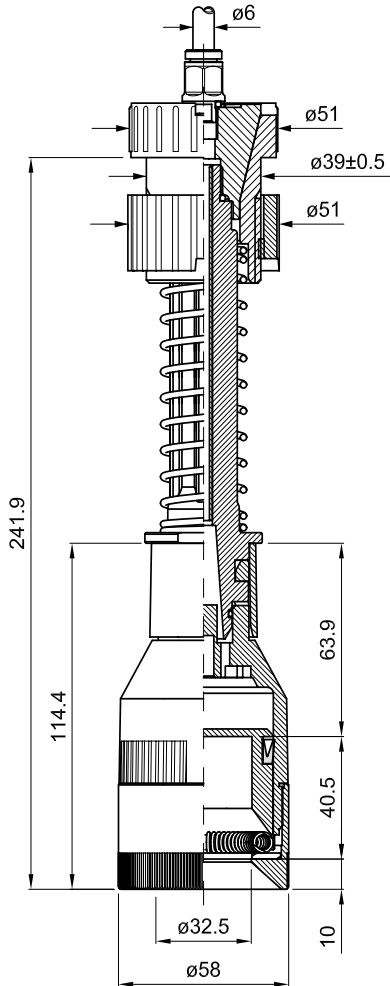
PICK-UP HEAD

TÊTE DE PRÉHENSION

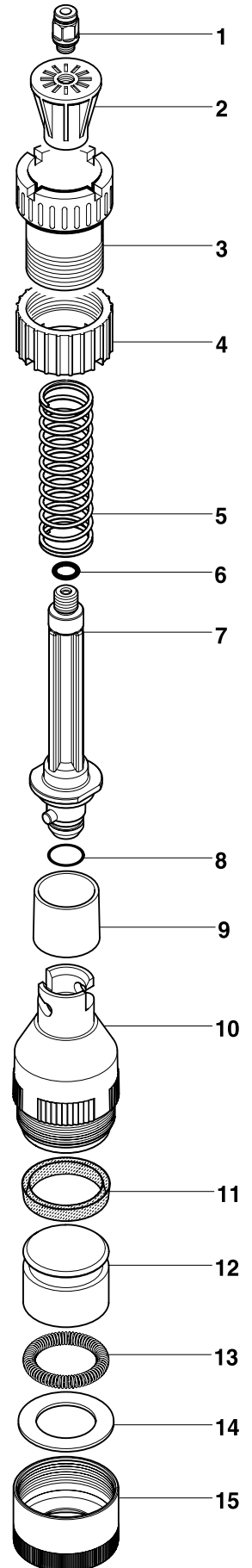
GREIFERKOPF

TULIPA

cod. 001.0143 ø 58

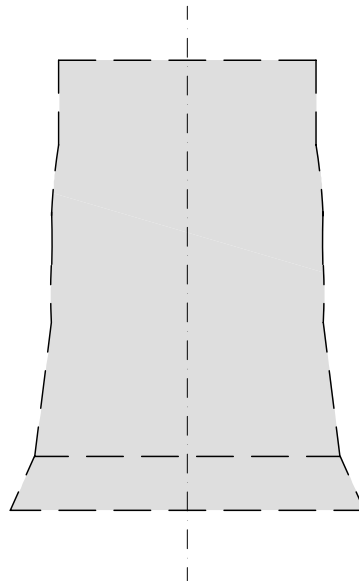
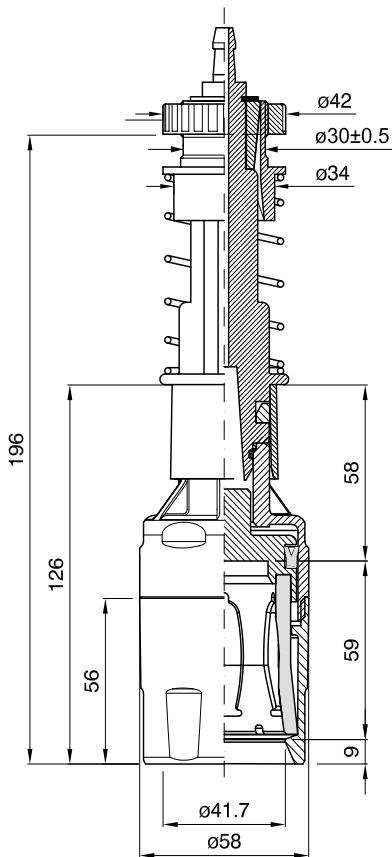


PROFILO INTERNO SCALA 1:1
INTERNAL SECTION SCALE 1:1
PROFIL INTERNE ECHELLE 1:1
INNENPROFIL MASSTAB 1:1
PERFIL INTERIOR ESCALA 1:1

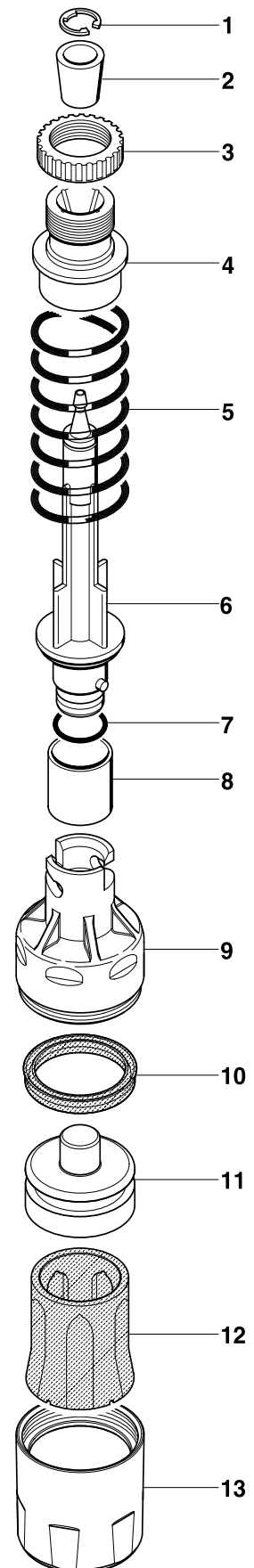


	COD.	MATERIALE	MATERIAL	MATERIEL	WERKSTOFF	MATERIAL
1	024.0007	OTTONE	BRASS	LAITON	MESSING	LATON
2	025.00012	PA	PA	PA	PA	PA
3	026.00012	PA	PA	PA	PA	PA
4	026.00112	PA	PA	PA	PA	PA
5	029.0001	AISI	STAINLESS STEEL	ACIER INOXYDABLE	ROSTFREIER STAHL	ACERO INOXIDABLE
6	057.0033	GOMMA	RUBBER	CAOUTCHOUC	GUMMI	GOMA
7	028.0056	PA	PA	PA	PA	PA
8	057.0017	GOMMA	RUBBER	CAOUTCHOUC	GUMMI	GOMA
9	026.0132	PP	PP	PP	PP	PP
10	027.0102	PA	PA	PA	PA	PA
11	041.0054	GOMMA/TPU	RUBBER/TPU	CAOUTCHOUC/TPU	GUMMI/TPU	GOMA/TPU
12	031.0037	PA	PA	PA	PA	PA
13	029.0004	AISI	STAINLESS STEEL	ACIER INOXYDABLE	ROSTFREIER STAHL	ACERO INOXIDABLE
14	032.0069	A.V.P.	A.V.P.	A.V.P.	A.V.P.	A.V.P.
15	026.0147	PA	PA	PA	PA	PA

cod. 001.0129 ø 58

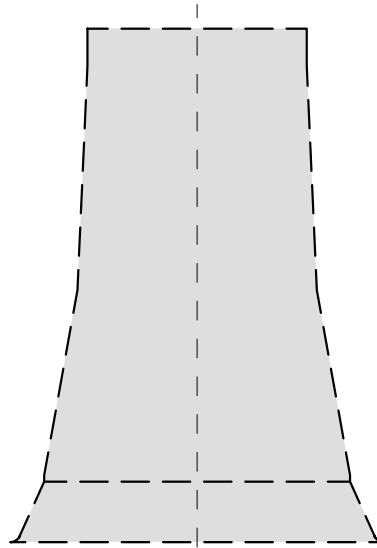
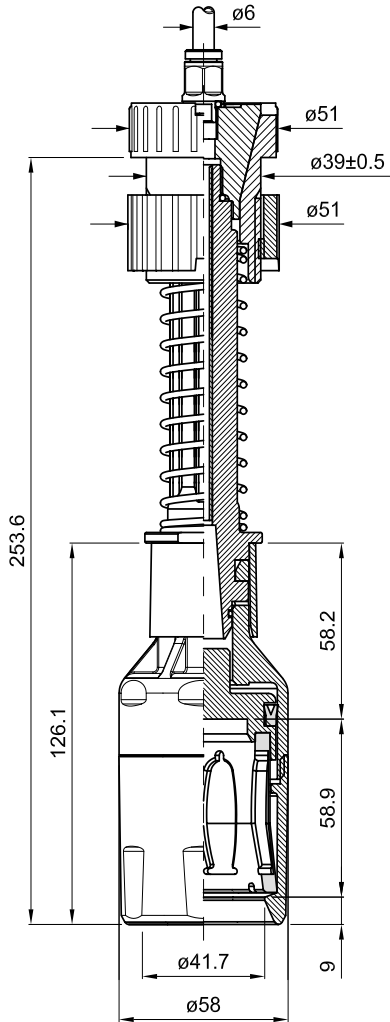


PROFILO INTERNO SCALA 1:1
INTERNAL SECTION SCALE 1:1
PROFIL INTERNE ECHELLE 1:1
INNENPROFIL MASSTAB 1:1
PERFIL INTERIOR ESCALA 1:1

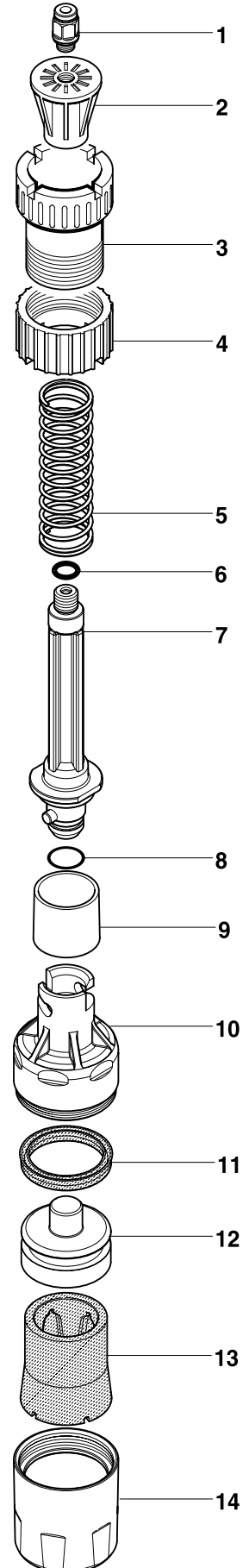


	COD.	MATERIALE	MATERIAL	MATERIEL	WERKSTOFF	MATERIAL
1	032.0056	AISI	STAINLESS STEEL	ACIER INOXYDABLE	ROSTFREIER STAHL	ACERO INOXIDABLE
2	025.0008	PA	PA	PA	PA	PA
3	026.0007	PA	PA	PA	PA	PA
4	026.0008	PA	PA	PA	PA	PA
5	029.0032	AISI	STAINLESS STEEL	ACIER INOXYDABLE	ROSTFREIER STAHL	ACERO INOXIDABLE
6	028.0047	PA	PA	PA	PA	PA
7	057.0017	GOMMA	RUBBER	CAOUTCHOUC	GUMMI	GOMA
8	026.0132	PP	PP	PP	PP	PP
9	027.0103	PA	PA	PA	PA	PA
10	041.0050	TPU	TPU	TPU	TPU	TPU
11	031.0040	PA	PA	PA	PA	PA
12	040.0127	PUR	PUR	PUR	PUR	PUR
13	026.0135	PA	PA	PA	PA	PA

cod. 001.0142 ø 58

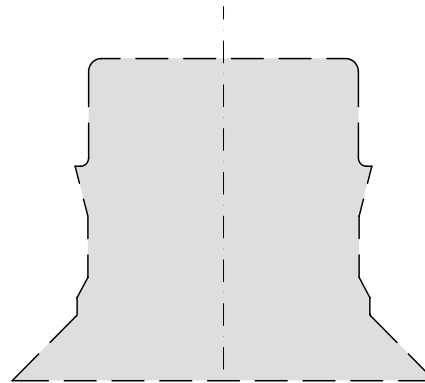
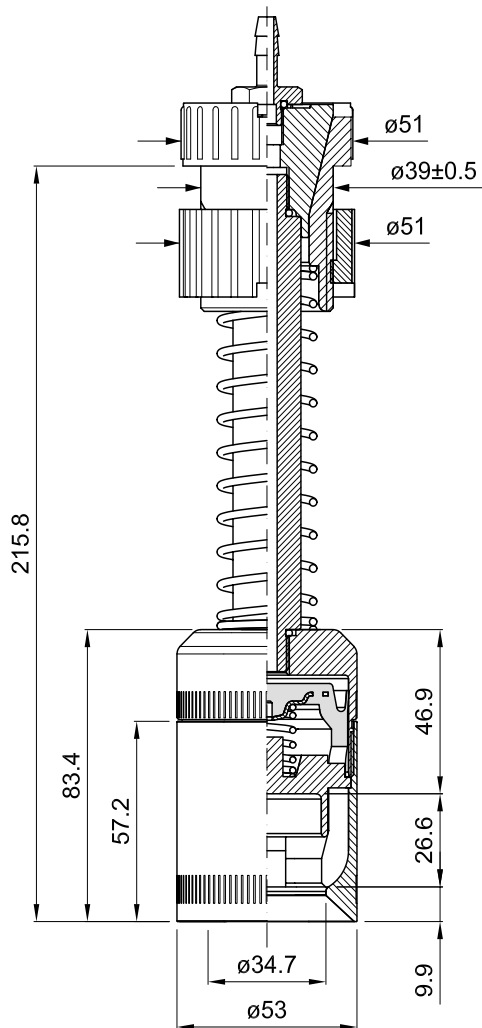


PROFILO INTERNO SCALA 1:1
INTERNAL SECTION SCALE 1:1
PROFIL INTERNE ECHELLE 1:1
INNENPROFIL MASSTAB 1:1
PERFIL INTERIOR ESCALA 1:1

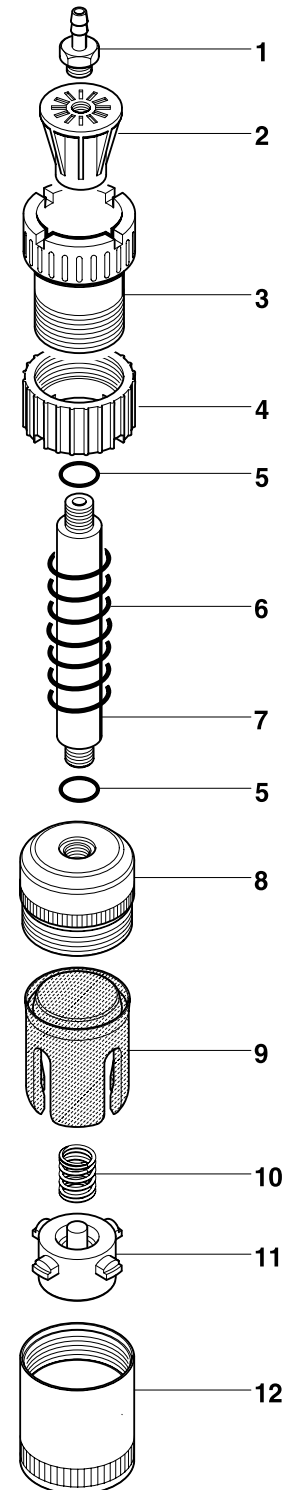


	COD.	MATERIALE	MATERIAL	MATERIEL	WERKSTOFF	MATERIAL
1	024.0007	OTTONE	BRASS	LAITON	MESSING	LATON
2	025.00012	PA	PA	PA	PA	PA
3	026.00012	PA	PA	PA	PA	PA
4	026.00112	PA	PA	PA	PA	PA
5	029.0001	AISI	STAINLESS STEEL	ACIER INOXYDABLE	ROSTFREIER STAHL	ACERO INOXIDABLE
6	057.0033	GOMMA	RUBBER	CAOUTCHOUC	GUMMI	GOMA
7	028.0056	PA	PA	PA	PA	PA
8	057.0017	GOMMA	RUBBER	CAOUTCHOUC	GUMMI	GOMA
9	026.0132	PP	PP	PP	PP	PP
10	027.0103	PA	PA	PA	PA	PA
11	041.0050	GOMMA/TPU	RUBBER/TPU	CAOUTCHOUC/TPU	GUMMI/TPU	GOMA/TPU
12	031.0040	PA	PA	PA	PA	PA
13	040.0127	PUR	PUR	PUR	PUR	PUR
14	026.0135	PA	PA	PA	PA	PA

cod. 001.0132 ø 53

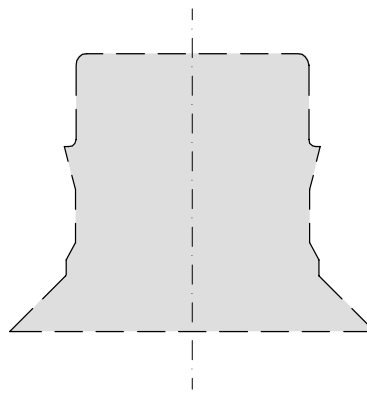
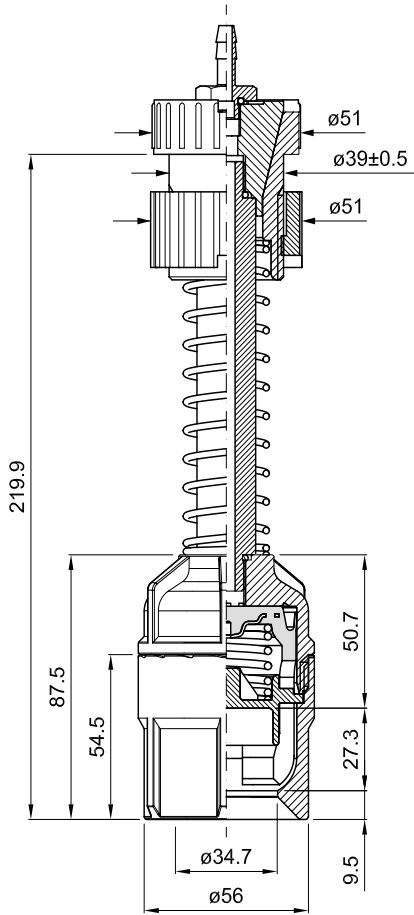


PROFILO INTERNO SCALA 1:1
INTERNAL SECTION SCALE 1:1
PROFIL INTERNE ECHELLE 1:1
INNENPROFIL MASSTAB 1:1
PERFIL INTERIOR ESCALA 1:1

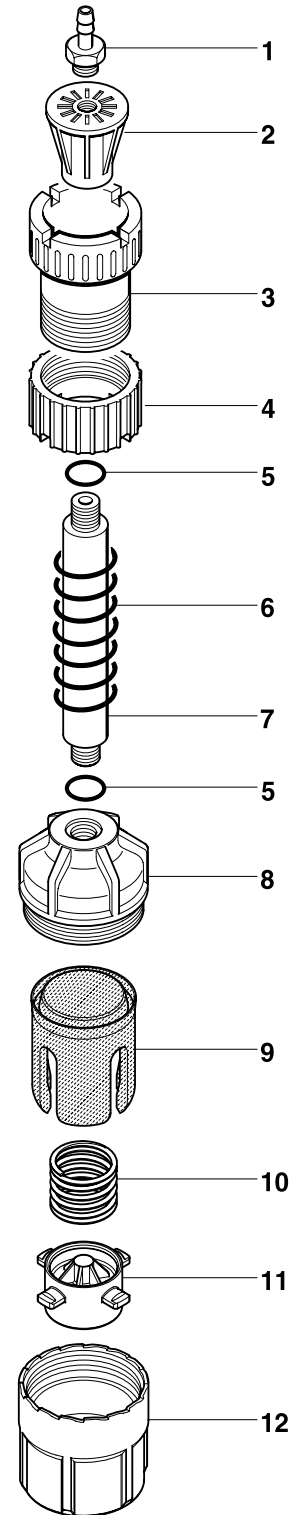


	COD.	MATERIALE	MATERIAL	MATERIEL	WERKSTOFF	MATERIAL
1	024.0001	OTTONE	BRASS	LAITON	MESSING	LATON
2	025.0001	PA	PA	PA	PA	PA
3	026.0001	PA	PA	PA	PA	PA
4	026.0011	PA	PA	PA	PA	PA
5	057.0033	GOMMA	RUBBER	CAOUTCHOUC	GUMMI	GOMA
6	029.0001	AISI	STAINLESS STEEL	ACIER INOXYDABLE	ROSTFREIER STAHL	ACERO INOXIDABLE
7	028.0001	AL	AL	AL	AL	AL
8	027.0106	AL	AL	AL	AL	AL
9	040.0135	TPU	TPU	TPU	TPU	TPU
10	029.0040	AISI	STAINLESS STEEL	ACIER INOXYDABLE	ROSTFREIER STAHL	ACERO INOXIDABLE
11	030.0045	PA	PA	PA	PA	PA
12	026.0149	AL	AL	AL	AL	AL

cod. 001.0082 ø 56

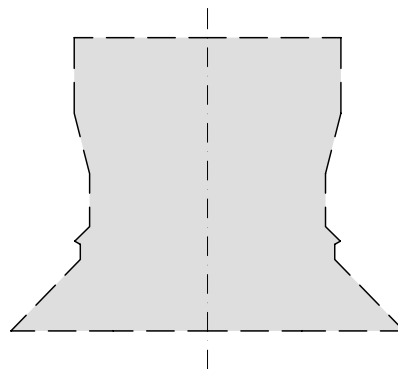
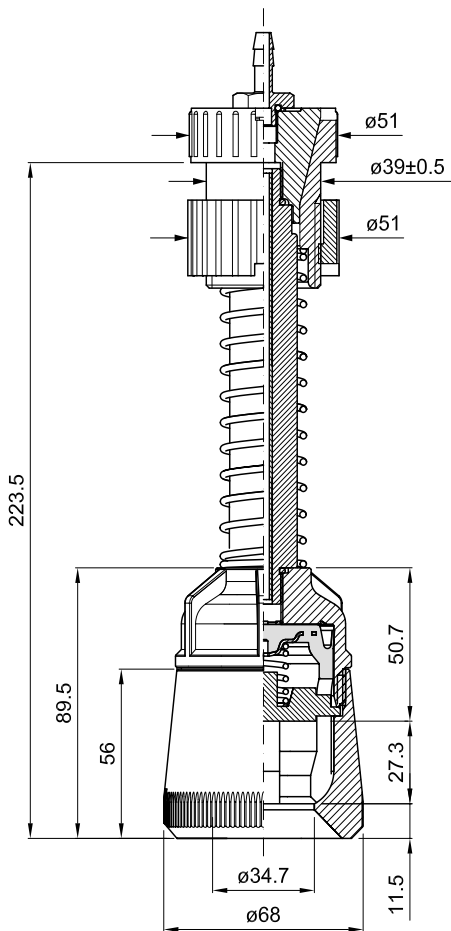


PROFILO INTERNO SCALA 1:1
INTERNAL SECTION SCALE 1:1
PROFIL INTERNE ECHELLE 1:1
INNENPROFIL MASSTAB 1:1
PERFIL INTERIOR ESCALA 1:1

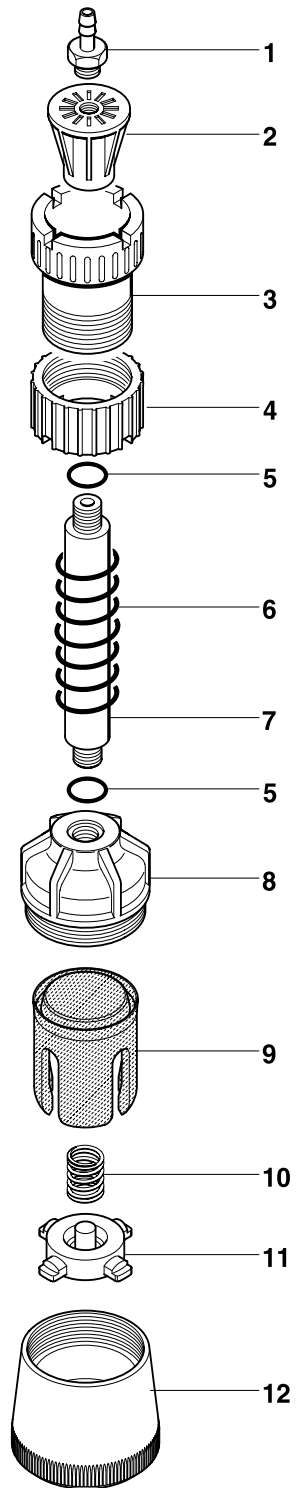


	COD.	MATERIALE	MATERIAL	MATERIEL	WERKSTOFF	MATERIAL
1	024.0001	OTTONE	BRASS	LAITON	MESSING	LATON
2	025.0001	PA	PA	PA	PA	PA
3	026.0001	PA	PA	PA	PA	PA
4	026.0011	PA	PA	PA	PA	PA
5	057.0033	GOMMA	RUBBER	CAOUTCHOUC	GUMMI	GOMA
6	029.0001	AISI	STAINLESS STEEL	ACIER INOXYDABLE	ROSTFREIER STAHL	ACERO INOXIDABLE
7	028.0001	AL	AL	AL	AL	AL
8	027.0065	PA	PA	PA	PA	PA
9	040.0135	TPU	TPU	TPU	TPU	TPU
10	029.0040	AISI	STAINLESS STEEL	ACIER INOXYDABLE	ROSTFREIER STAHL	ACERO INOXIDABLE
11	030.0032	PA	PA	PA	PA	PA
12	026.0115	PA	PA	PA	PA	PA

cod. 001.0115 ø 68

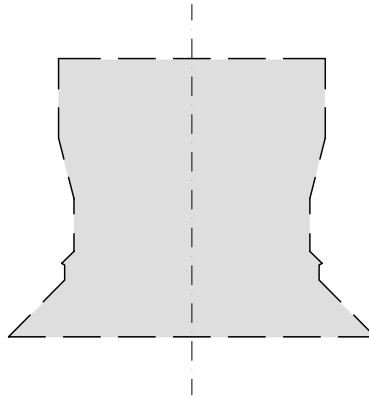
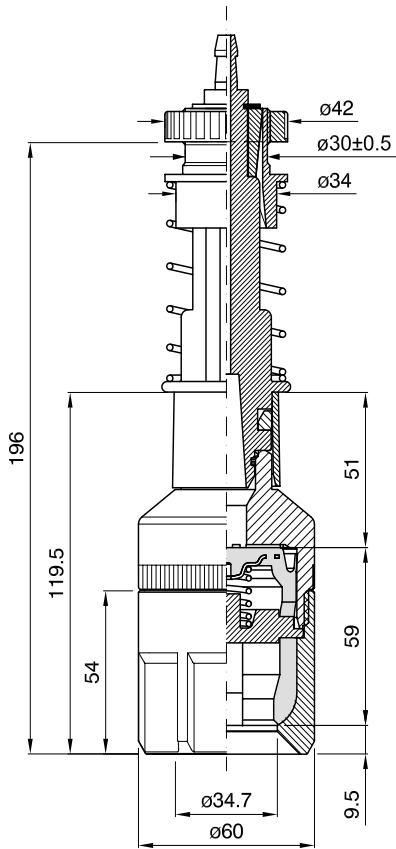


PROFILO INTERNO SCALA 1:1
INTERNAL SECTION SCALE 1:1
PROFIL INTERNE ECHELLE 1:1
INNENPROFIL MASSTAB 1:1
PERFIL INTERIOR ESCALA 1:1

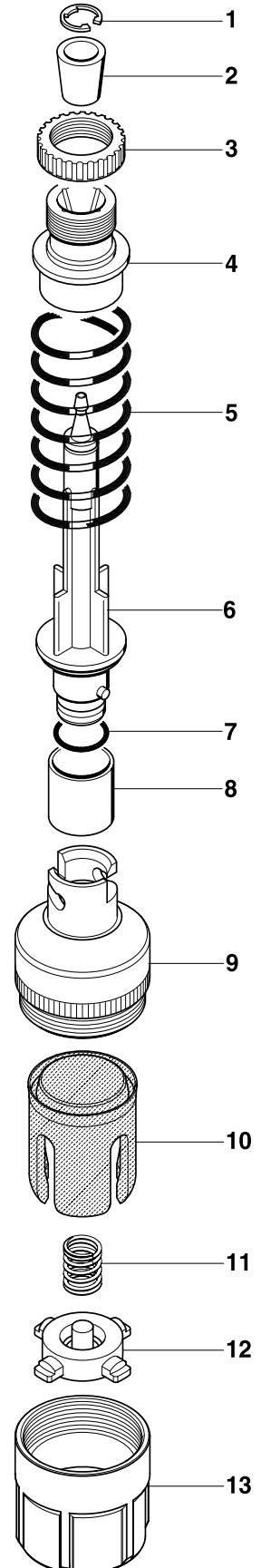


	COD.	MATERIALE	MATERIAL	MATERIEL	WERKSTOFF	MATERIAL
1	024.0001	OTTONE	BRASS	LAITON	MESSING	LATON
2	025.0001	PA	PA	PA	PA	PA
3	026.0001	PA	PA	PA	PA	PA
4	026.0011	PA	PA	PA	PA	PA
5	057.0033	GOMMA	RUBBER	CAOUTCHOUC	GUMMI	GOMA
6	029.0001	AISI	STAINLESS STEEL	ACIER INOXYDABLE	ROSTFREIER STAHL	ACERO INOXIDABLE
7	028.0001	AL	AL	AL	AL	AL
8	027.0065	PA	PA	PA	PA	PA
9	040.0135	TPU	TPU	TPU	TPU	TPU
10	029.0026	AISI	STAINLESS STEEL	ACIER INOXYDABLE	ROSTFREIER STAHL	ACERO INOXIDABLE
11	030.0041	PA	PA	PA	PA	PA
12	026.0139	POM	POM	POM	POM	POM

cod. 001.0130 ø 60

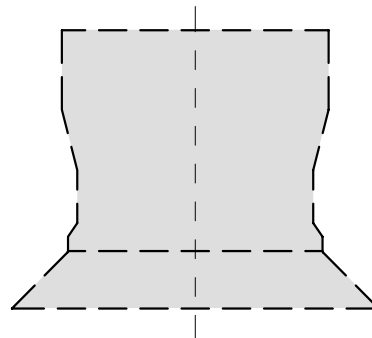
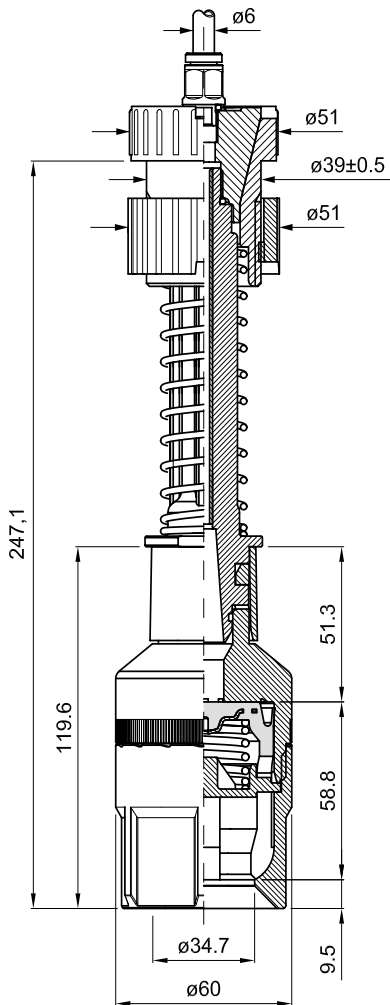


PROFILO INTERNO SCALA 1:1
INTERNAL SECTION SCALE 1:1
PROFIL INTERNE ECHELLE 1:1
INNENPROFIL MASSTAB 1:1
PERFIL INTERIOR ESCALA 1:1

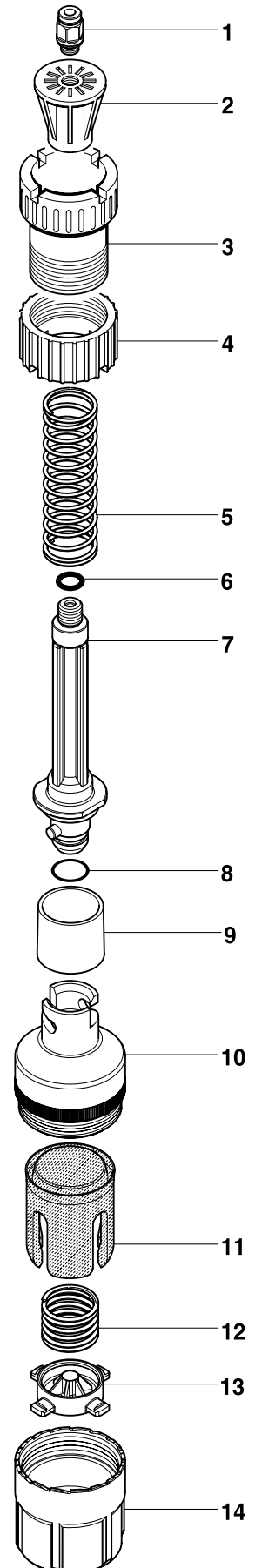


	COD.	MATERIALE	MATERIAL	MATERIEL	WERKSTOFF	MATERIAL
1	032.0056	AISI	STAINLESS STEEL	ACIER INOXYDABLE	ROSTFREIER STAHL	ACERO INOXIDABLE
2	025.0008	PA	PA	PA	PA	PA
3	026.0007	PA	PA	PA	PA	PA
4	026.0008	PA	PA	PA	PA	PA
5	029.0032	AISI	STAINLESS STEEL	ACIER INOXYDABLE	ROSTFREIER STAHL	ACERO INOXIDABLE
6	028.0047	PA	PA	PA	PA	PA
7	057.0017	GOMMA	RUBBER	CAOUTCHOUC	GUMMI	GOMA
8	026.0132	PP	PP	PP	PP	PP
9	027.0104	PA	PA	PA	PA	PA
10	040.0135	TPU	TPU	TPU	TPU	TPU
11	029.0040	AISI	STAINLESS STEEL	ACIER INOXYDABLE	ROSTFREIER STAHL	ACERO INOXIDABLE
12	030.0041	PA	PA	PA	PA	PA
13	026.0115	PA	PA	PA	PA	PA

cod. 001.0141 ø 60

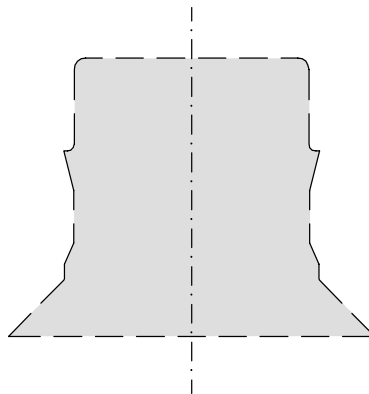
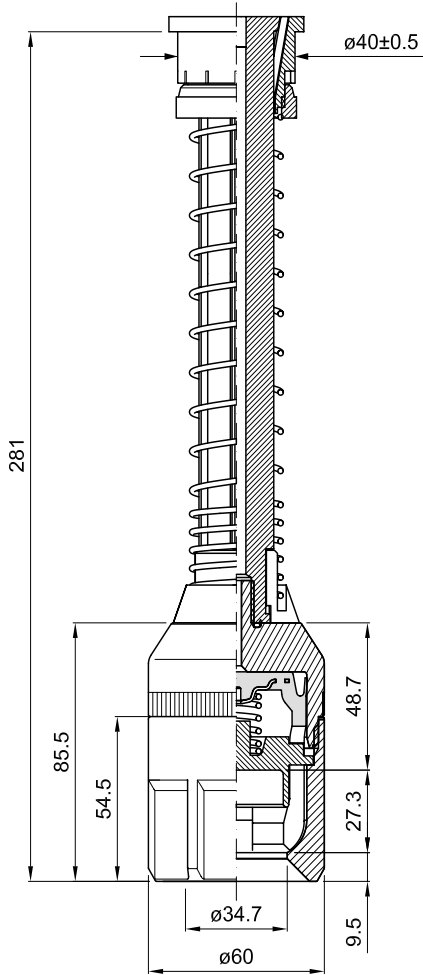


PROFILO INTERNO SCALA 1:1
INTERNAL SECTION SCALE 1:1
PROFIL INTERNE ECHELLE 1:1
INNENPROFIL MASSTAB 1:1
PERFIL INTERIOR ESCALA 1:1

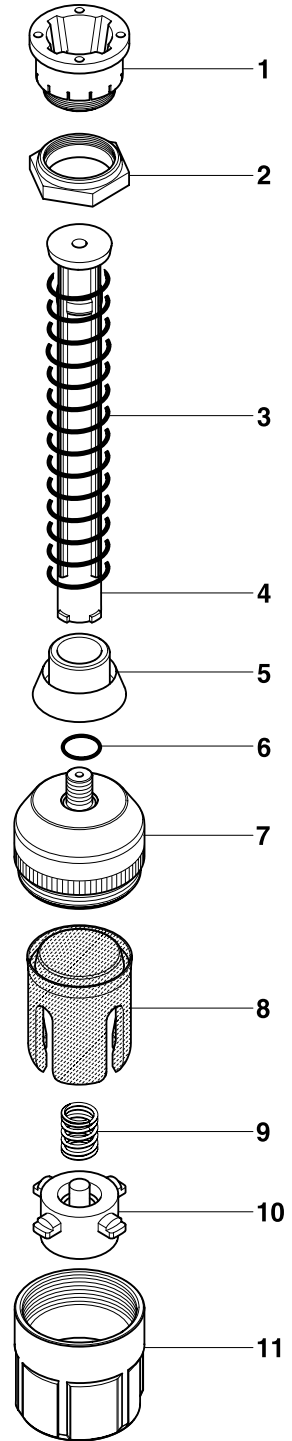


	COD.	MATERIALE	MATERIAL	MATERIEL	WERKSTOFF	MATERIAL
1	024.0007	OTTONE	BRASS	LAITON	MESSING	LATON
2	025.00012	PA	PA	PA	PA	PA
3	026.00012	PA	PA	PA	PA	PA
4	026.00112	PA	PA	PA	PA	PA
5	029.0001	AISI	STAINLESS STEEL	ACIER INOXYDABLE	ROSTFREIER STAHL	ACERO INOXIDABLE
6	057.0033	GOMMA	RUBBER	CAOUTCHOUC	GUMMI	GOMA
7	028.0056	PA	PA	PA	PA	PA
8	057.0017	GOMMA	RUBBER	CAOUTCHOUC	GUMMI	GOMA
9	026.0132	PP	PP	PP	PP	PP
10	027.0104	PA	PA	PA	PA	PA
11	040.0135	GOMMA/TPU	RUBBER/TPU	CAOUTCHOUC/TPU	GUMMI/TPU	GOMA/TPU
12	029.0040	AISI	STAINLESS STEEL	ACIER INOXYDABLE	ROSTFREIER STAHL	ACERO INOXIDABLE
13	030.0041	PA	PA	PA	PA	PA
14	026.0115	PA	PA	PA	PA	PA

cod. 001.00823 ø 60

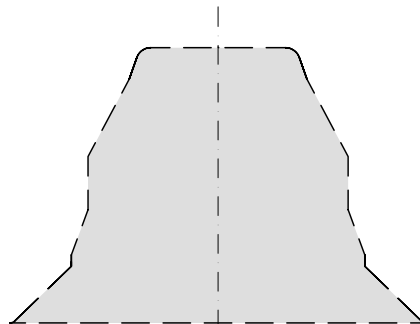
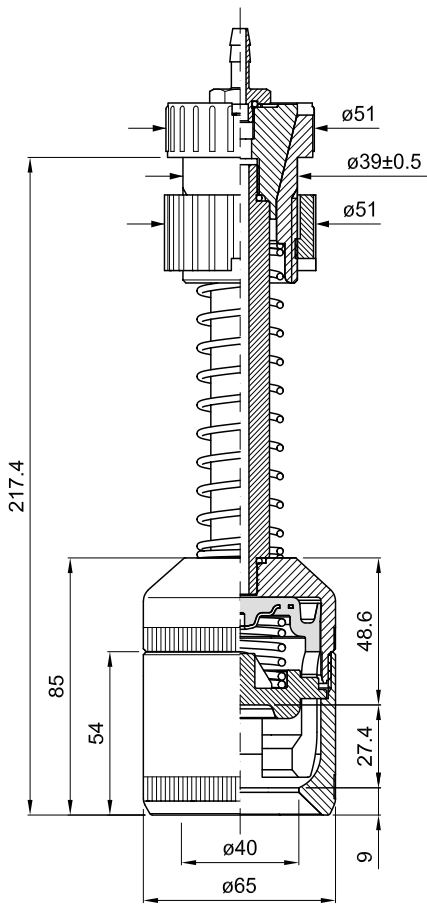


PROFILO INTERNO SCALA 1:1
INTERNAL SECTION SCALE 1:1
PROFIL INTERNE ECHELLE 1:1
INNENPROFIL MASSTAB 1:1
PERFIL INTERIOR ESCALA 1:1

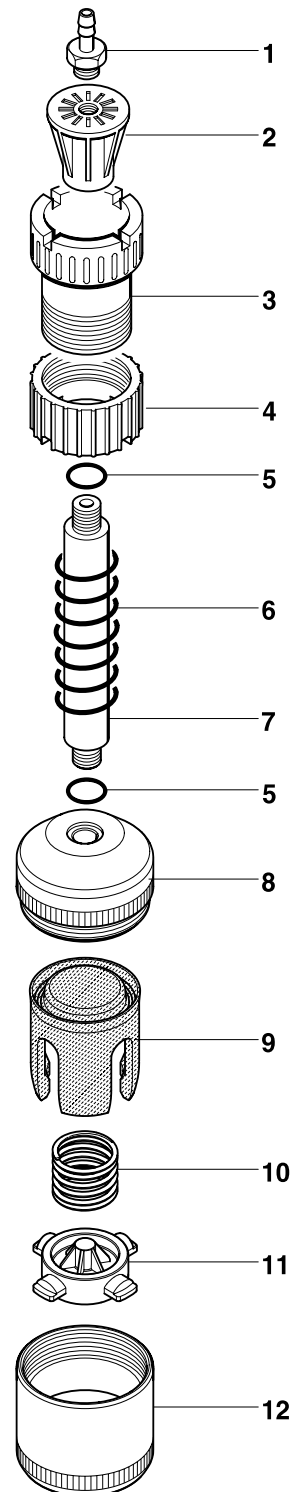


	COD.	MATERIALE	MATERIAL	MATERIEL	WERKSTOFF	MATERIAL
1	026.00051	PA	PA	PA	PA	PA
2	026.0016	PA	PA	PA	PA	PA
3	029.0023	PA	PA	PA	PA	PA
4	028.0032	PA	PA	PA	PA	PA
5	032.0215	PA	PA	PA	PA	PA
6	057.0013	GOMMA	RUBBER	CAOUTCHOUC	GUMMI	GOMA
7	027.0094	AL	AL	AL	AL	AL
8	040.0135	TPU	TPU	TPU	TPU	TPU
9	029.0040	AISI	STAINLESS STEEL	ACIER INOXYDABLE	ROSTFREIER STAHL	ACERO INOXIDABLE
10	030.0032	PA	PA	PA	PA	PA
11	026.0115	PA	PA	PA	PA	PA

cod. 001.0097 ø 65

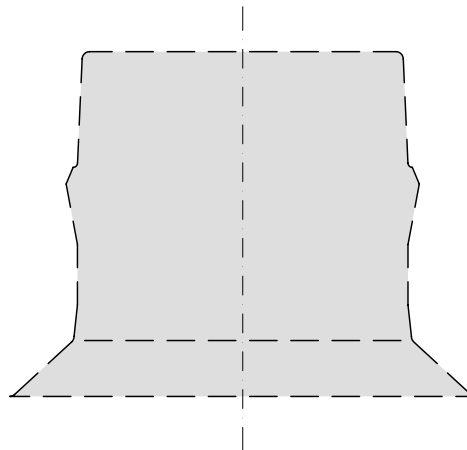
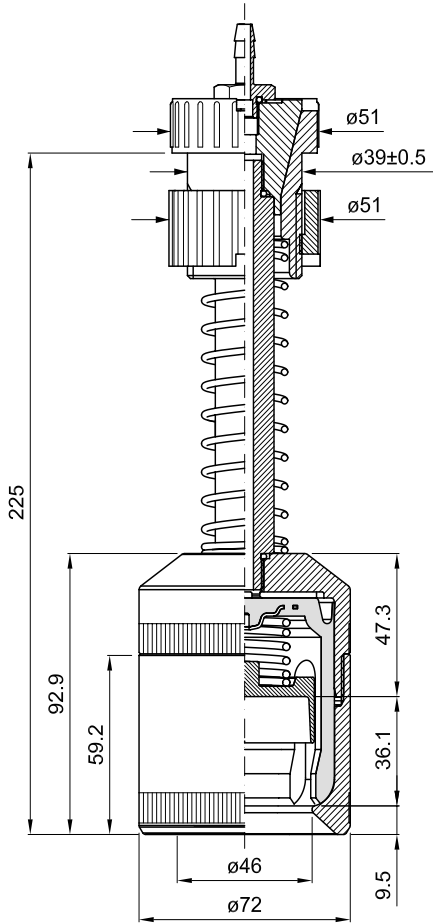


PROFILO INTERNO SCALA 1:1
 INTERNAL SECTION SCALE 1:1
 PROFIL INTERNE ECHELLE 1:1
 INNENPROFIL MASSTAB 1:1
 PERFIL INTERIOR ESCALA 1:1

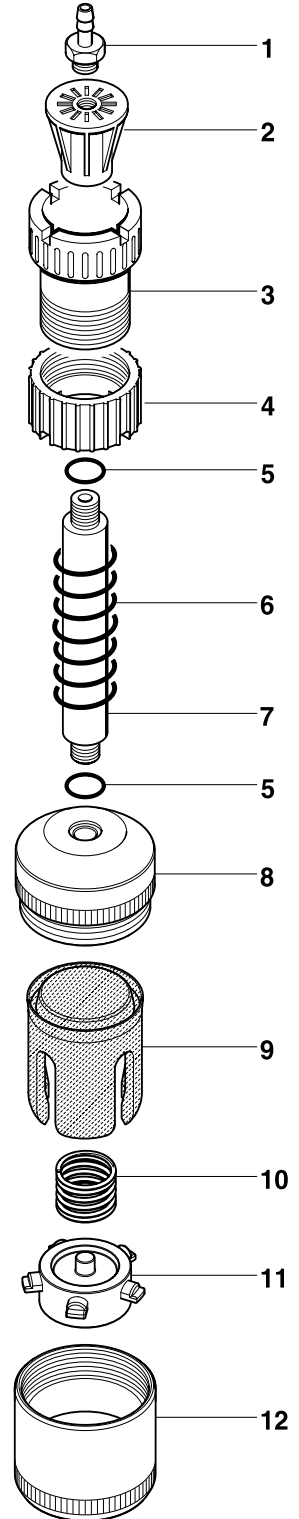


	COD.	MATERIALE	MATERIAL	MATERIEL	WERKSTOFF	MATERIAL
1	024.0001	OTTONE	BRASS	LAITON	MESSING	LATON
2	025.0001	PA	PA	PA	PA	PA
3	026.0001	PA	PA	PA	PA	PA
4	026.0011	PA	PA	PA	PA	PA
5	057.0033	GOMMA	RUBBER	CAOUTCHOUC	GUMMI	GOMA
6	029.0001	AISI	STAINLESS STEEL	ACIER INOXYDABLE	ROSTFREIER STAHL	ACERO INOXIDABLE
7	028.0001	AL	AL	AL	AL	AL
8	027.0077	POM	POM	POM	POM	POM
9	040.0149	TPU	TPU	TPU	TPU	TPU
10	029.0040	AISI	STAINLESS STEEL	ACIER INOXYDABLE	ROSTFREIER STAHL	ACERO INOXIDABLE
11	030.0037	PA	PA	PA	PA	PA
12	026.0125	POM	POM	POM	POM	POM

cod. 001.0134 ø 72



PROFILO INTERNO SCALA 1:1
INTERNAL SECTION SCALE 1:1
PROFIL INTERNE ECHELLE 1:1
INNENPROFIL MASSTAB 1:1
PERFIL INTERIOR ESCALA 1:1



	COD.	MATERIALE	MATERIAL	MATERIEL	WERKSTOFF	MATERIAL
1	024.0001	OTTONE	BRASS	LAITON	MESSING	LATON
2	025.0001	PA	PA	PA	PA	PA
3	026.0001	PA	PA	PA	PA	PA
4	026.0011	PA	PA	PA	PA	PA
5	057.0033	GOMMA	RUBBER	CAOUTCHOUC	GUMMI	GOMA
6	029.0001	AISI	STAINLESS STEEL	ACIER INOXYDABLE	ROSTFREIER STAHL	ACERO INOXIDABLE
7	028.0001	AL	AL	AL	AL	AL
8	027.0108	POM	POM	POM	POM	POM
9	040.0170	GOMMA/TPU	RUBBER/TPU	CAOUTCHOUC/TPU	GUMMI/TPU	GOMA/TPU
10	029.0040	AISI	STAINLESS STEEL	ACIER INOXYDABLE	ROSTFREIER STAHL	ACERO INOXIDABLE
11	030.0046	AL	AL	AL	AL	AL
12	026.0152	POM	POM	POM	POM	POM

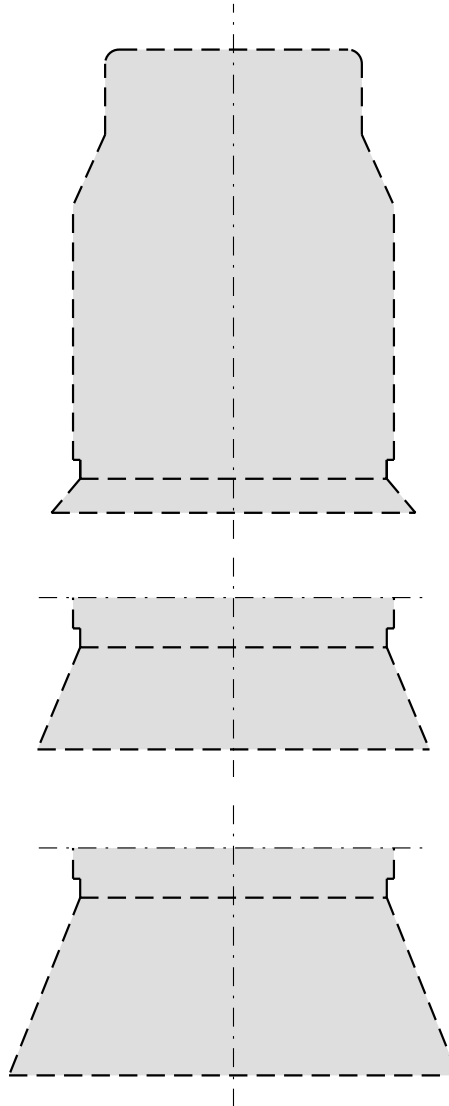
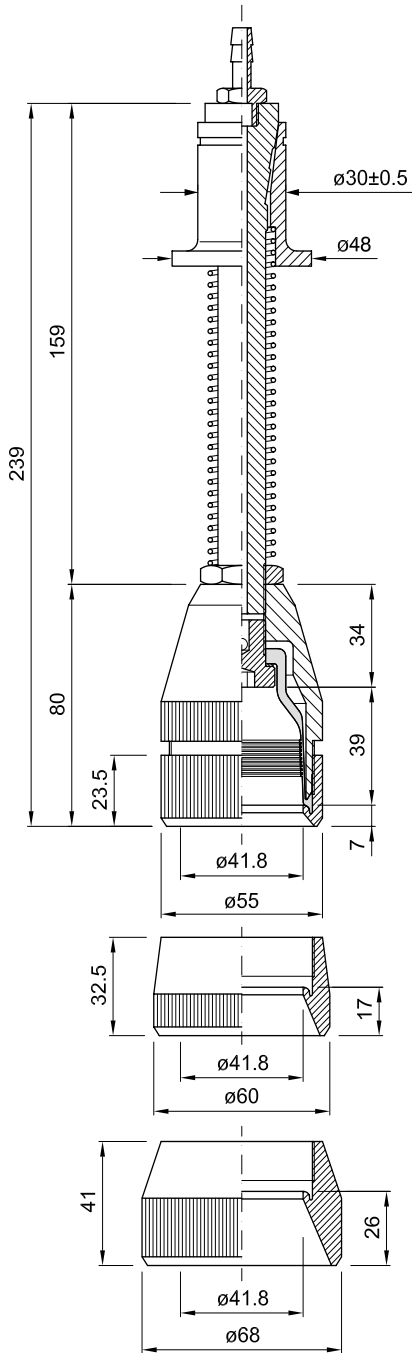
PICK-UP HEAD

TETE DE PREHENSION

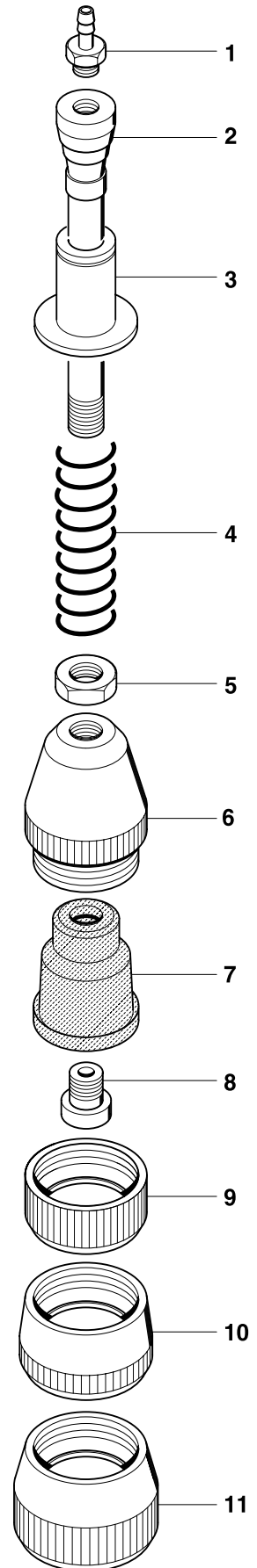
GREIFERKOPF

TULIPA

cod. 001.0051 ø 55/60/68

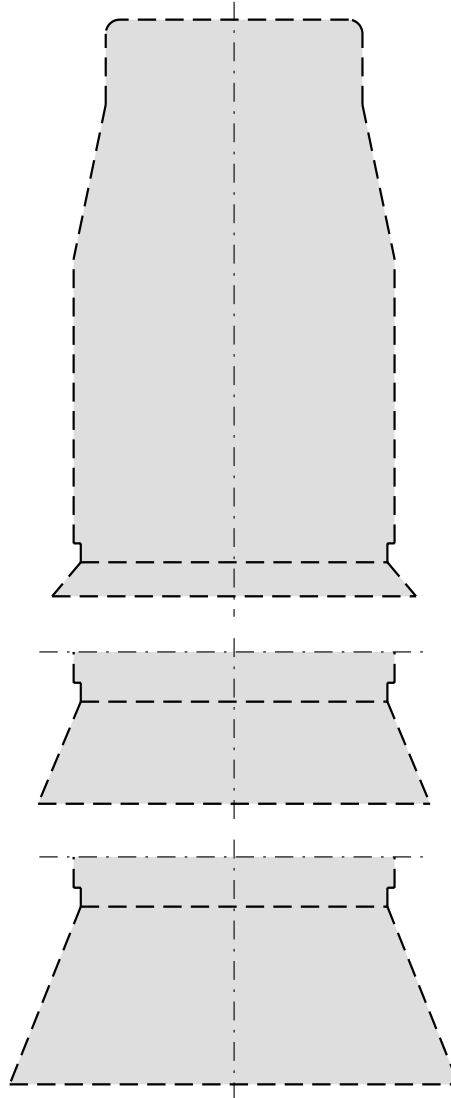
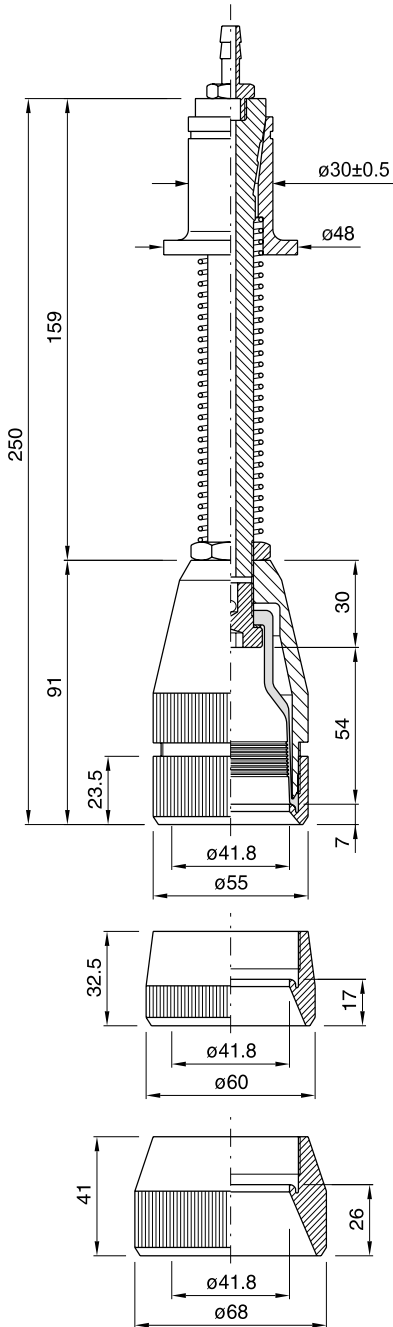


PROFILO INTERNO SCALA 1:1
INTERNAL SECTION SCALE 1:1
PROFIL INTERNE ECHELLE 1:1
INNENPROFIL MASSTAB 1:1
PERFIL INTERIOR ESCALA 1:1

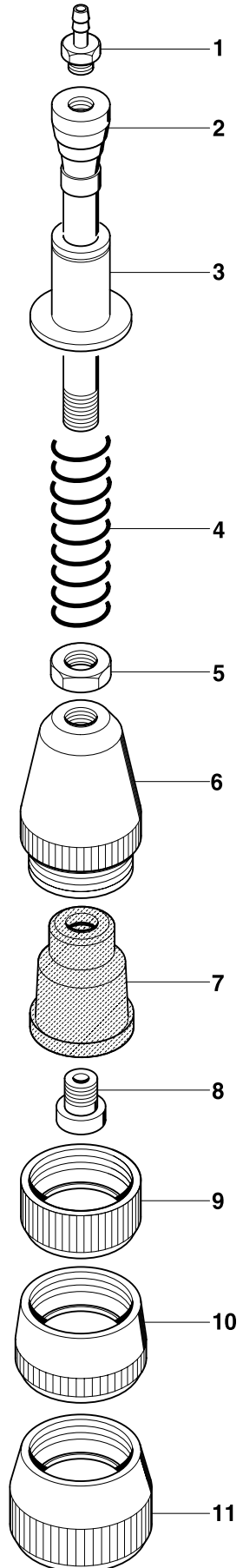


	COD.	MATERIALE	MATERIAL	MATERIEL	WERKSTOFF	MATERIAL
1	024.0001	OTTONE	BRASS	LAITON	MESSING	LATON
2	028.0027	AL	AL	AL	AL	AL
3	026.0004	PA	PA	PA	PA	PA
4	029.0019	AISI	STAINLESS STEEL	ACIER INOXYDABLE	ROSTFREIER STAHL	ACERO INOXIDABLE
5	032.0024	OTTONE	BRASS	LAITON	MESSING	LATON
6	027.0042	PA	PA	PA	PA	PA
7	040.0093	GOMMA / TPU	RUBBER / TPU	CAOUTCHOUC TPU	GUMMI / TPU	GOMA / TPU
8	032.0019	PA	PA	PA	PA	PA
9	026.0084	PA	PA	PA	PA	PA
10	026.0090	PA	PA	PA	PA	PA
11	026.0098	PA	PA	PA	PA	PA

cod. 001.0052 ø 55/60/68

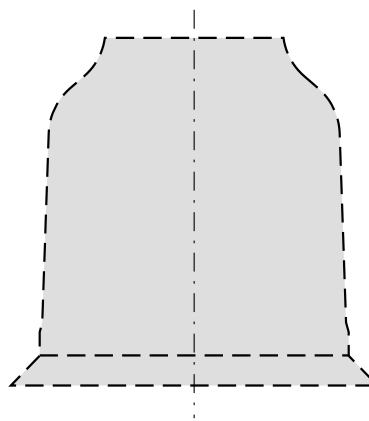
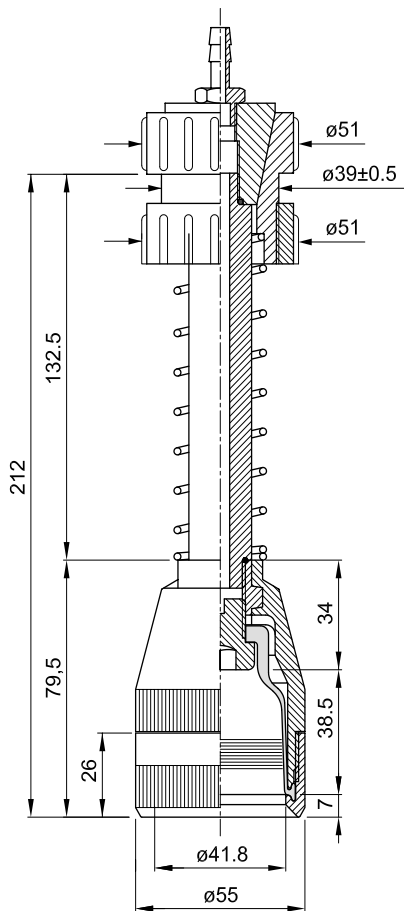


PROFILO INTERNO SCALA 1:1
 INTERNAL SECTION SCALE 1:1
 PROFIL INTERNE ECHELLE 1:1
 INNENPROFIL MASSTAB 1:1
 PERFIL INTERIOR ESCALA 1:1

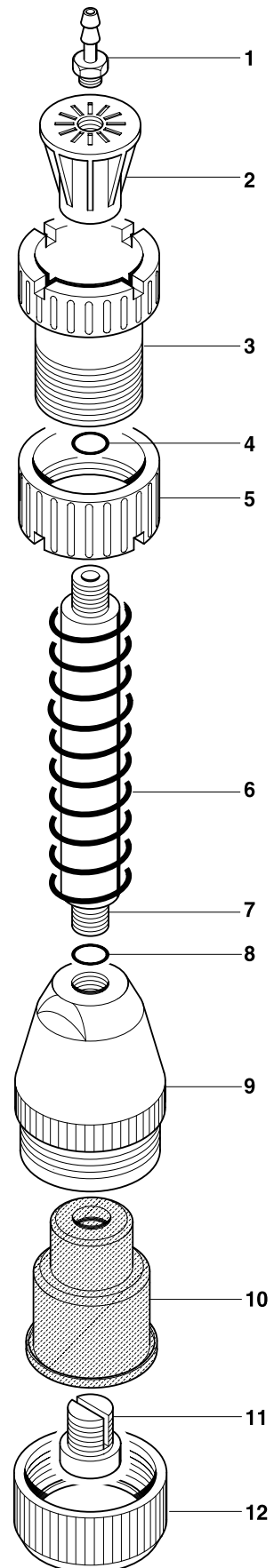


	COD.	MATERIALE	MATERIAL	MATERIEL	WERKSTOFF	MATERIAL
1	024.0001	OTTONE	BRASS	LAITON	MESSING	LATON
2	028.0027	AL	AL	AL	AL	AL
3	026.0004	PA	PA	PA	PA	PA
4	029.0019	AISI	STAINLESS STEEL	ACIER INOXYDABLE	ROSTFREIER STAHL	ACERO INOXIDABLE
5	032.0024	OTTONE	BRASS	LAITON	MESSING	LATON
6	027.0043	PA	PA	PA	PA	PA
7	040.0084	GOMMA / TPU	RUBBER / TPU	CAOUTCHOUC TPU	GUMMI / TPU	GOMA / TPU
8	032.0019	PA	PA	PA	PA	PA
9	026.0084	PA	PA	PA	PA	PA
10	026.0090	PA	PA	PA	PA	PA
11	026.0098	PA	PA	PA	PA	PA

cod. 001.0120 ø 55

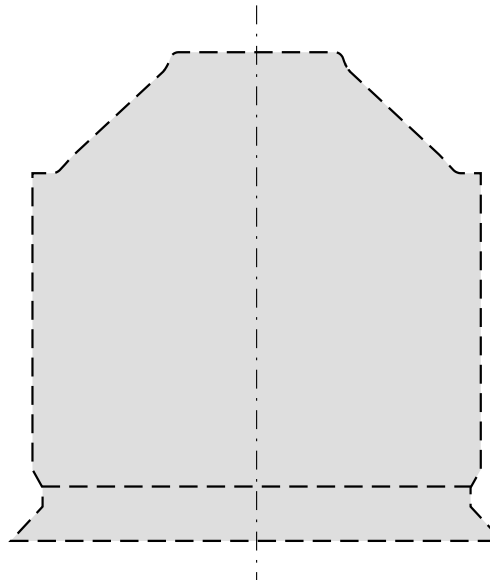
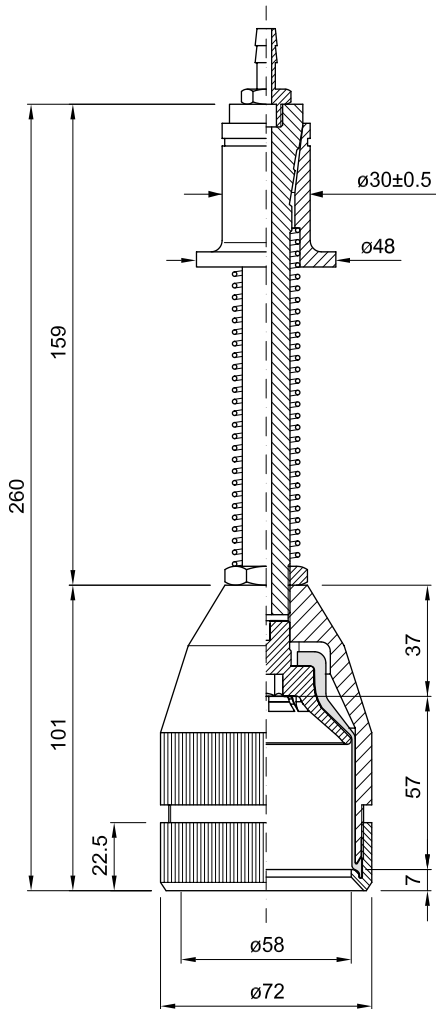


PROFILO INTERNO SCALA 1:1
INTERNAL SECTION SCALE 1:1
INNENPROFIL MASSTAB 1:1

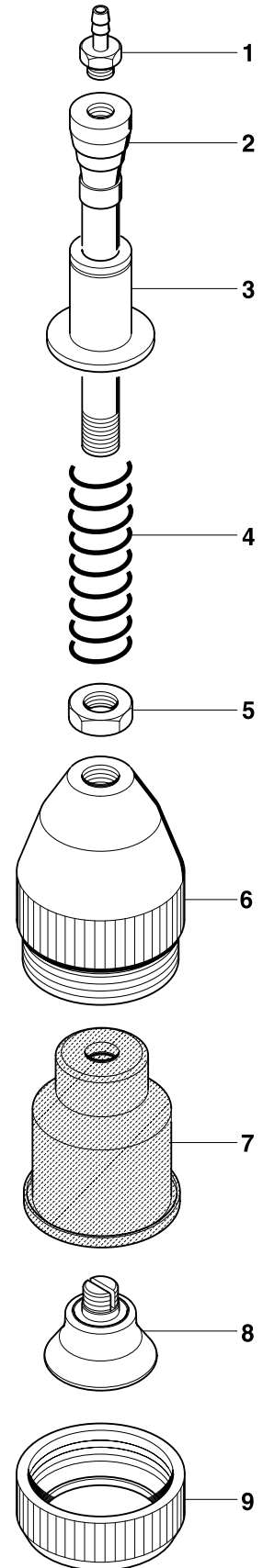


	COD.	MATERIALE	MATERIAL	MATERIEL	WERKSTOFF	MATERIAL
1	024.0001	OTTONE	BRASS	LAITON	MESSING	LATON
2	025.0001	PA	PA	PA	PA	PA
3	026.0001	PA	PA	PA	PA	PA
4	057.0033	GOMMA	RUBBER	CAOUTCHOUC	GUMMI	GOMA
5	026.0011	PA	PA	PA	PA	PA
6	029.0001	AISI	STAINLESS STEEL	ACIER INOXYDABLE	ROSTFREIER STAHL	ACERO INOXIDABLE
7	028.0019	AL	AL	AL	AL	AL
8	057.0012	GOMMA	RUBBER	CAOUTCHOUC	GUMMI	GOMA
9	027.0042	PA	PA	PA	PA	PA
10	040.0093	TPU	TPU	TPU	TPU	TPU
11	032.0019	PA	PA	PA	PA	PA
12	026.0084	PA	PA	PA	PA	PA

cod. 001.0058 ø 72



PROFILO INTERNO SCALA 1:1
INTERNAL SECTION SCALE 1:1
PROFIL INTERNE ECHELLE 1:1
INNENPROFIL MASSTAB 1:1
PERFIL INTERIOR ESCALA 1:1



	COD.	MATERIALE	MATERIAL	MATERIEL	WERKSTOFF	MATERIAL
1	024.0001	OTTONE	BRASS	LAITON	MESSING	LATON
2	028.0027	AL	AL	AL	AL	AL
3	026.0004	PA	PA	PA	PA	PA
4	029.0019	AISI	STAINLESS STEEL	ACIER INOXYDABLE	ROSTFREIER STAHL	ACERO INOXIDABLE
5	032.0024	OTTONE	BRASS	LAITON	MESSING	LATON
6	027.0046	PA	PA	PA	PA	PA
7	040.0071	GOMMA / TPU	RUBBER / TPU	CAOUTCHOUC TPU	GUMMI / TPU	GOMA / TPU
8	030.0044	PA	PA	PA	PA	PA
9	026.0100	PA	PA	PA	PA	PA

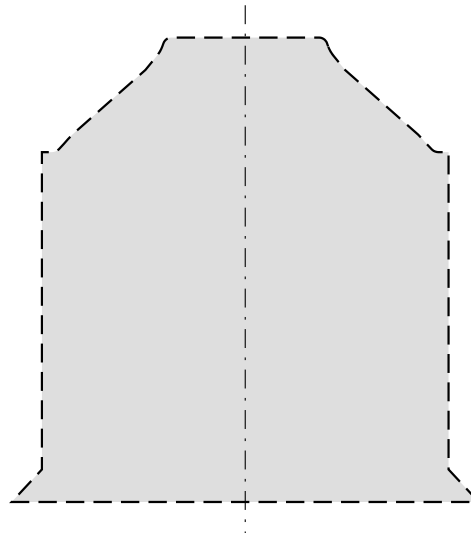
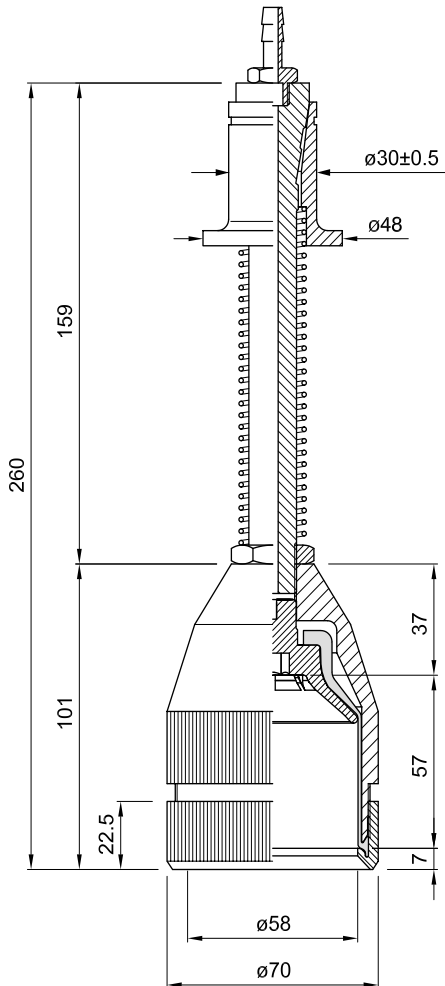
PICK-UP HEAD

TETE DE PREHENSION

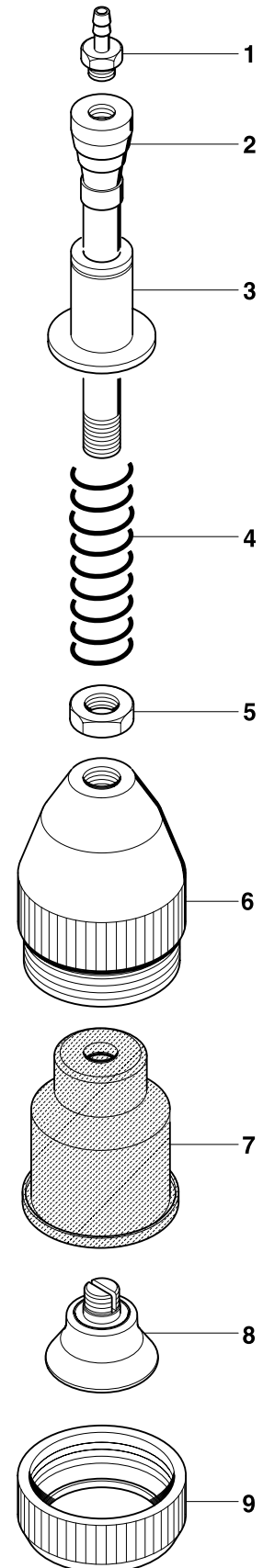
GREIFERKOPF

TULIPA

cod. 001.00581 ø 70

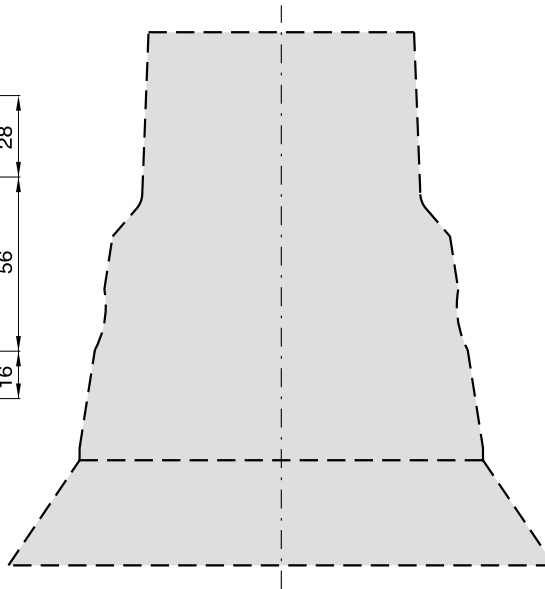
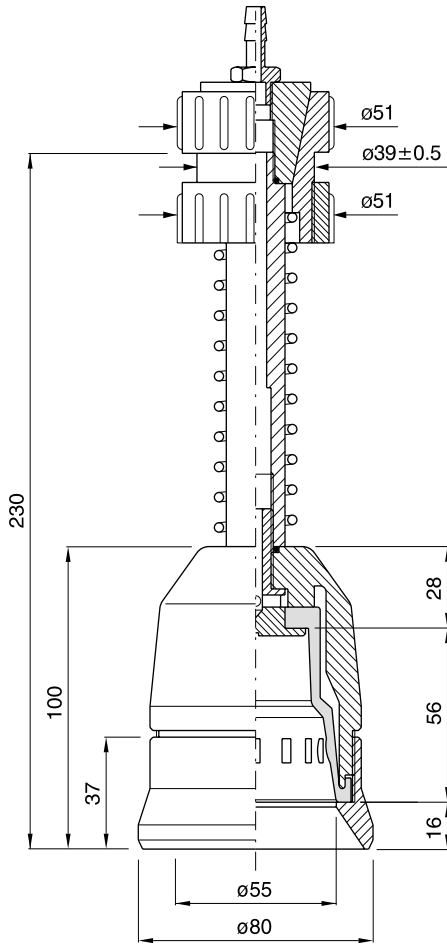


PROFILO INTERNO SCALA 1:1
INTERNAL SECTION SCALE 1:1
PROFIL INTERNE ECHELLE 1:1
INNENPROFIL MASSTAB 1:1
PERFIL INTERIOR ESCALA 1:1

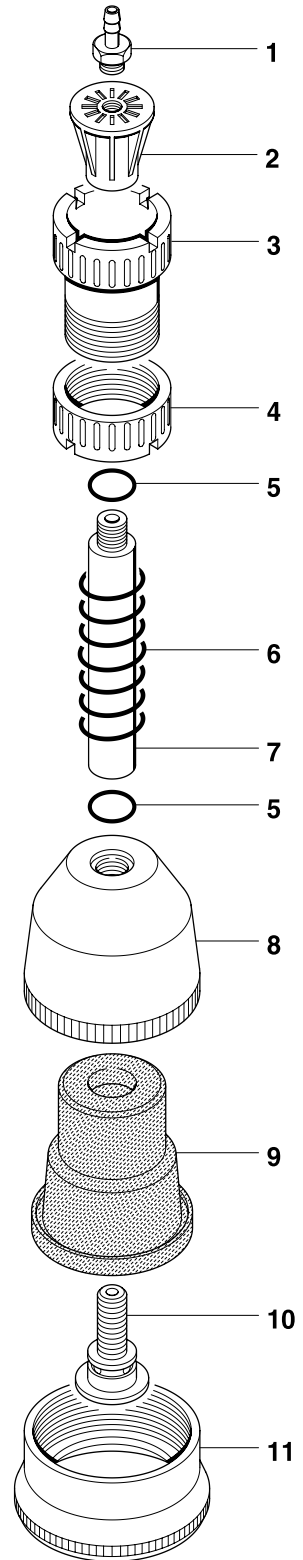


	COD.	MATERIALE	MATERIAL	MATERIEL	WERKSTOFF	MATERIAL
1	024.0001	OTTONE	BRASS	LAITON	MESSING	LATON
2	028.0027	AL	AL	AL	AL	AL
3	026.0004	PA	PA	PA	PA	PA
4	029.0019	AISI	STAINLESS STEEL	ACIER INOXYDABLE	ROSTFREIER STAHL	ACERO INOXIDABLE
5	032.0024	OTTONE	BRASS	LAITON	MESSING	LATON
6	027.0046	PA	PA	PA	PA	PA
7	040.0071	GOMMA / TPU	RUBBER / TPU	CAOUTCHOUC TPU	GUMMI / TPU	GOMA / TPU
8	030.0044	PA	PA	PA	PA	PA
9	026.0100	AISI	STAINLESS STEEL	ACIER INOXYDABLE	ROSTFREIER STAHL	ACERO INOXIDABLE

cod. 001.0067 ø 80



PROFILO INTERNO SCALA 1:1
INTERNAL SECTION SCALE 1:1
PROFIL INTERNE ECHELLE 1:1
INNENPROFIL MASSTAB 1:1
PERFIL INTERIOR ESCALA 1:1



	COD.	MATERIALE	MATERIAL	MATERIEL	WERKSTOFF	MATERIAL
1	024.0001	OTTONE	BRASS	LAITON	MESSING	LATON
2	025.0001	PA	PA	PA	PA	PA
3	026.0001	PA	PA	PA	PA	PA
4	026.0011	PA	PA	PA	PA	PA
5	057.0033	GOMMA	RUBBER	CAOUTCHOUC	GUMMI	GOMA
6	029.0001	AISI	STAINLESS STEEL	ACIER INOXYDABLE	ROSTFREIER STAHL	ACERO INOXIDABLE
7	028.0008	AL	AL	AL	AL	AL
8	027.0053	PA	PA	PA	PA	PA
9	040.0123	GOMMA	RUBBER	CAOUTCHOUC	GUMMI	GOMA
10	032.0028	OTTONE	BRASS	LAITON	MESSING	LATON
11	026.0105	PA	PA	PA	PA	PA

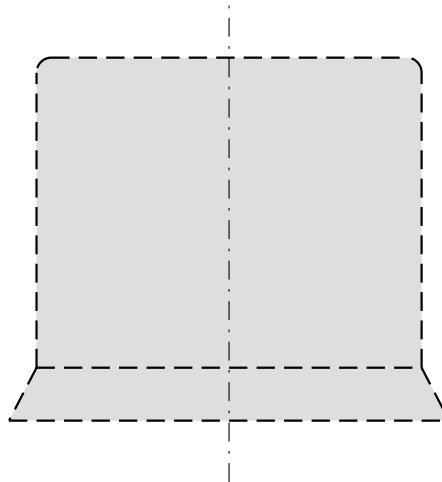
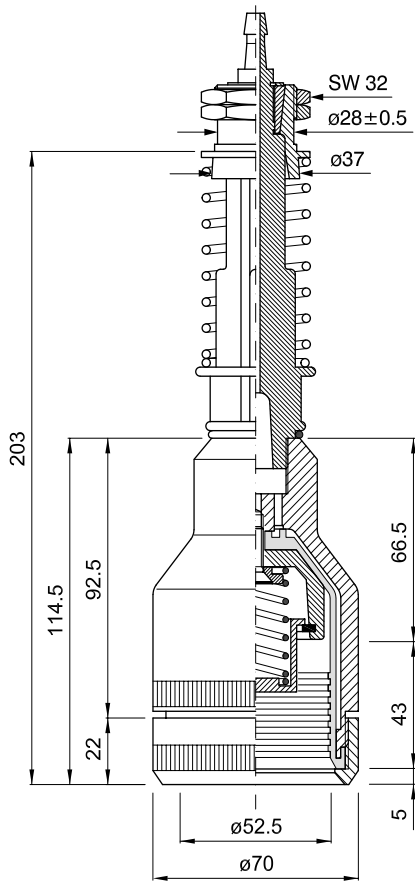
PICK-UP HEAD

TETE DE PREHENSION

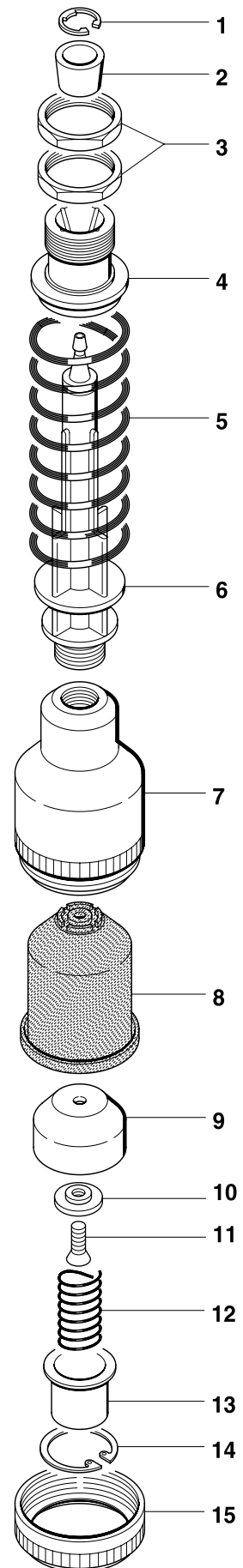
GREIFERKOPF

TULIPA

cod. 001.0084 ø 70

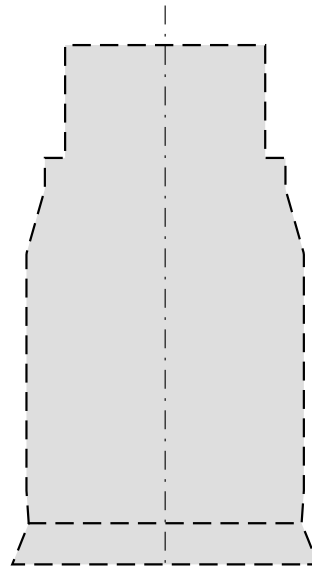
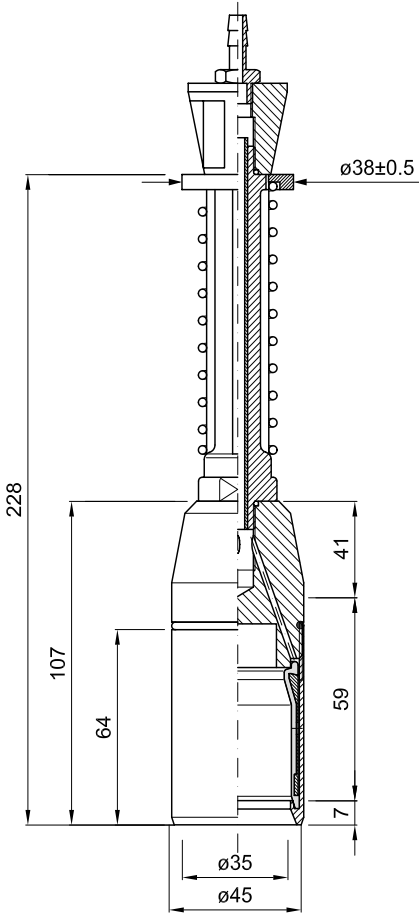


PROFILO INTERNO SCALA 1:1
INTERNAL SECTION SCALE 1:1
PROFIL INTERNE ECHELLE 1:1
INNENPROFIL MASSTAB 1:1
PERFIL INTERIOR ESCALA 1:1

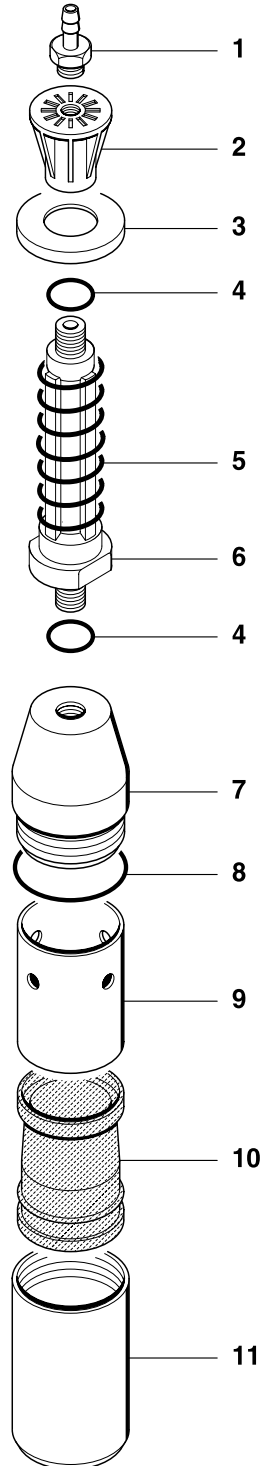


	COD.	MATERIALE	MATERIAL	MATERIEL	WERKSTOFF	MATERIAL
1	032.0014	AISI	STAINLESS STEEL	ACIER INOXYDABLE	ROSTFREIER STAHL	ACERO INOXIDABLE
2	025.0002	PP	PP	PP	PP	PP
3	032.0015	OTTONE	BRASS	LAITON	MESSING	LATON
4	026.0002	PP	PP	PP	PP	PP
5	029.0008	AISI	STAINLESS STEEL	ACIER INOXYDABLE	ROSTFREIER STAHL	ACERO INOXIDABLE
6	028.0037	PA	PA	PA	PA	PA
7	027.0068	PA	PA	PA	PA	PA
8	040.0130	TPU	TPU	PU	TPU	TPU
9	030.0035	AL	AL	AL	AL	AL
10	030.0043	PA	PA	PA	PA	PA
11	032.0012	AISI	STAINLESS STEEL	ACIER INOXYDABLE	ROSTFREIER STAHL	ACERO INOXIDABLE
12	029.0022	AISI	STAINLESS STEEL	ACIER INOXYDABLE	ROSTFREIER STAHL	ACERO INOXIDABLE
13	031.0017	PA	PA	PA	PA	PA
14	032.0405	AISI	STAINLESS STEEL	ACIER INOXYDABLE	ROSTFREIER STAHL	ACERO INOXIDABLE
15	026.0118	PA	PA	PA	PA	PA

cod. 001.0034 ø 45



PROFILO INTERNO SCALA 1:1
 INTERNAL SECTION SCALE 1:1
 PROFIL INTERNE ECHELLE 1:1
 INNENPROFIL MASSTAB 1:1
 PERFIL INTERIOR ESCALA 1:1



	COD.	MATERIALE	MATERIAL	MATERIEL	WERKSTOFF	MATERIAL
1	024.0001	OTTONE	BRASS	LAITON	MESSING	LATON
2	025.0001	PA	PA	PA	PA	PA
3	032.0207	PA	PA	PA	PA	PA
4	057.0033	GOMMA	RUBBER	CAOUTCHOUC	GUMMI	GOMA
5	029.0001	AISI	STAINLESS STEEL	ACIER INOXYDABLE	ROSTFREIER STAHL	ACERO INOXIDABLE
6	028.0001	PA	PA	PA	PA	PA
7	027.0028	PA	PA	PA	PA	PA
8	057.0057	GOMMA	RUBBER	CAOUTCHOUC	GUMMI	GOMA
9	030.0007	AL	AL	AL	AL	AL
10	040.0070	GOMMA / TPU	RUBBER / TPU	CAOUTCHOUC TPU	GUMMI / TPU	GOMA / TPU
11	026.0057	AL	AL	AL	AL	AL

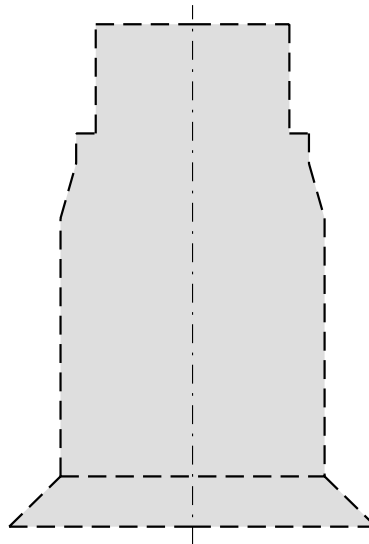
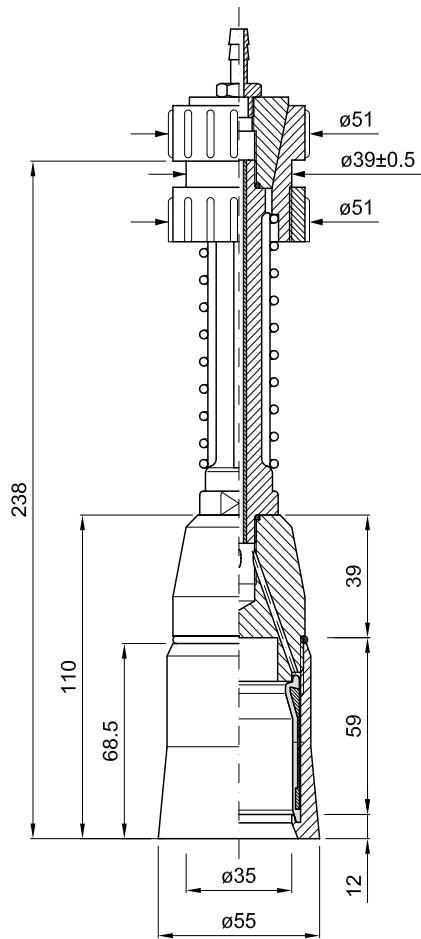
PICK-UP HEAD

TETE DE PREHENSION

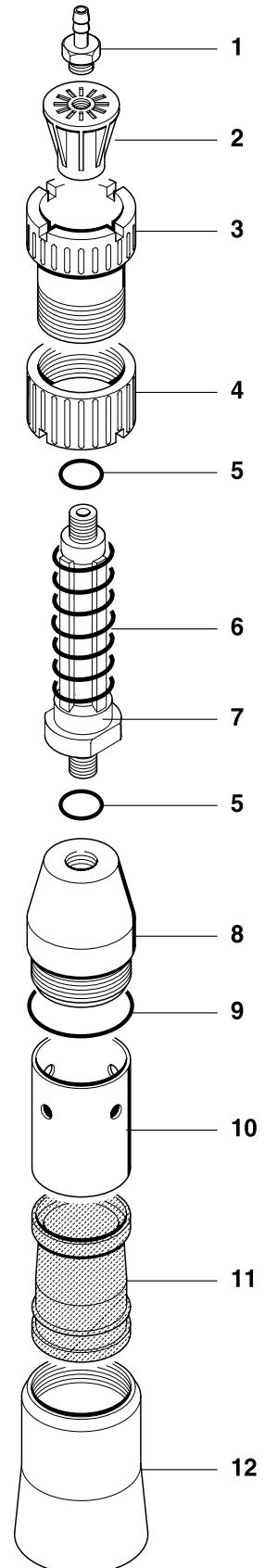
GREIFERKOPF

TULIPA

cod. 001.0070 ø 55



PROFILO INTERNO SCALA 1:1
INTERNAL SECTION SCALE 1:1
PROFIL INTERNE ECHELLE 1:1
INNENPROFIL MASSTAB 1:1
PERFIL INTERIOR ESCALA 1:1



	COD.	MATERIALE	MATERIAL	MATERIEL	WERKSTOFF	MATERIAL
1	024.0001	OTTONE	BRASS	LAITON	MESSING	LATON
2	025.0001	PA	PA	PA	PA	PA
3	026.0001	PA	PA	PA	PA	PA
4	026.0011	PA	PA	PA	PA	PA
5	057.0033	GOMMA	RUBBER	CAOUTCHOUC	GUMMI	GOMA
6	029.0001	AISI	STAINLESS STEEL	ACIER INOXYDABLE	ROSTFREIER STAHL	ACERO INOXIDABLE
7	028.0001	AL	AL	AL	AL	AL
8	027.0028	PA	PA	PA	PA	PA
9	057.0057	GOMMA	RUBBER	CAOUTCHOUC	GUMMI	GOMA
10	030.0007	AL	AL	AL	AL	AL
11	040.0070	GOMMA / TPU	RUBBER / TPU	CAOUTCHOUC TPU	GUMMI / TPU	GOMA / TPU
12	026.0079	AL	AL	AL	AL	AL

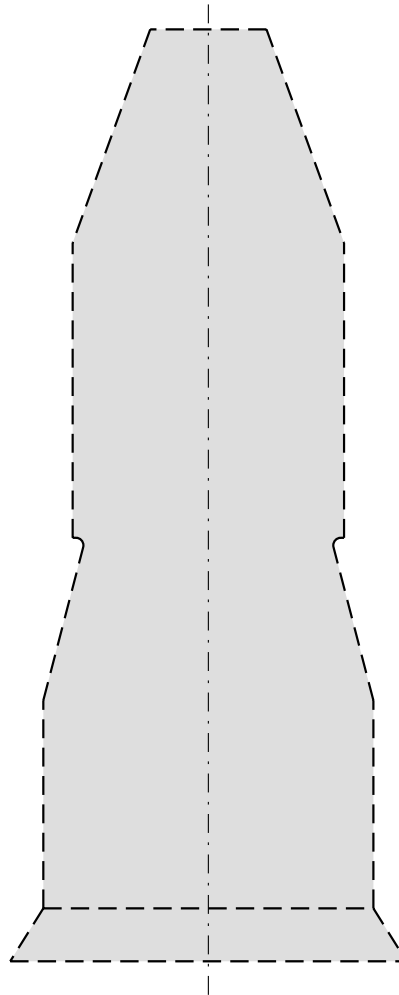
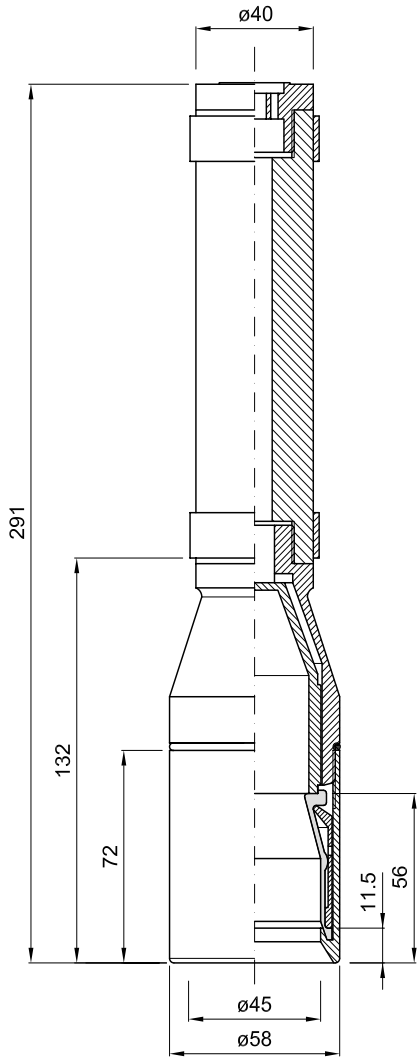
PICK-UP HEAD

TETE DE PREHENSION

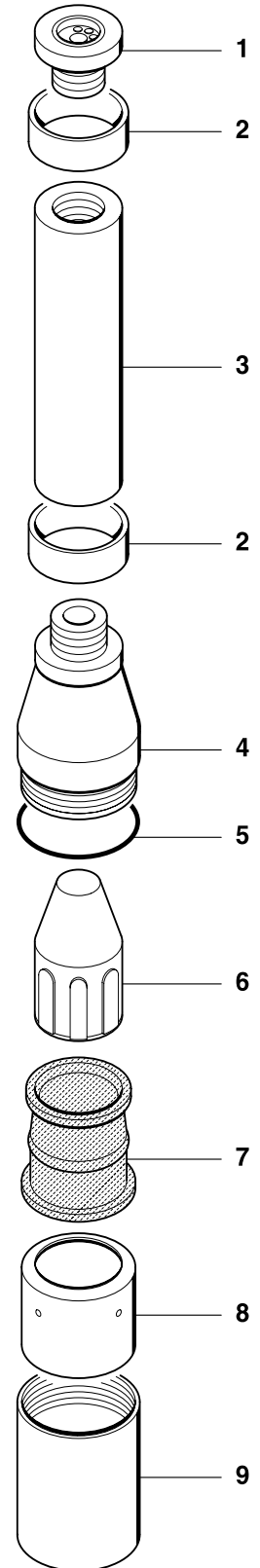
GREIFERKOPF

TULIPA

cod. 001.0059 ø 58



PROFILO INTERNO SCALA 1:1
INTERNAL SECTION SCALE 1:1
PROFIL INTERNE ECHELLE 1:1
INNENPROFIL MASSTAB 1:1
PERFIL INTERIOR ESCALA 1:1



	COD.	MATERIALE	MATERIAL	MATERIEL	WERKSTOFF	MATERIAL
1	025.0005	PA	PA	PA	PA	PA
2	032.0214	PA	PA	PA	PA	PA
3	028.0015	GOMMA	RUBBER	CAOUTCHOUC	GUMMI	GOMA
4	027.0047	PA	PA	PA	PA	PA
5	057.0065	GOMMA	RUBBER	CAOUTCHOUC	GUMMI	GOMA
6	030.0030	PA	PA	PA	PA	PA
7	040.0013	GOMMA / TPU	RUBBER / TPU	CAOUTCHOUC TPU	GUMMI / TPU	GOMA / TPU
8	030.0029	AL	AL	AL	AL	AL
9	026.0102	AL	AL	AL	AL	AL

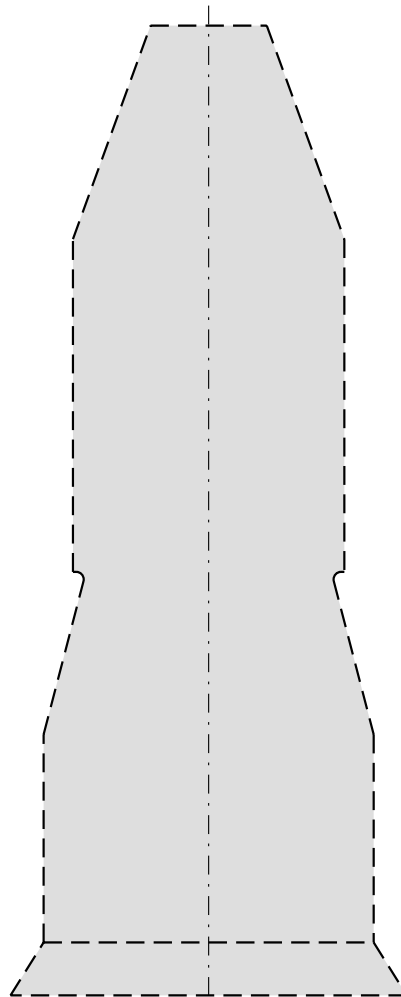
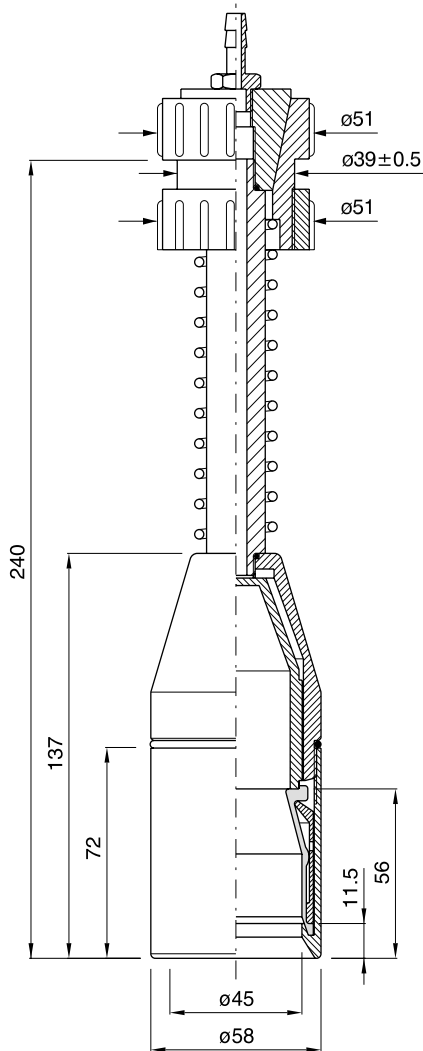
PICK-UP HEAD

TETE DE PREHENSION

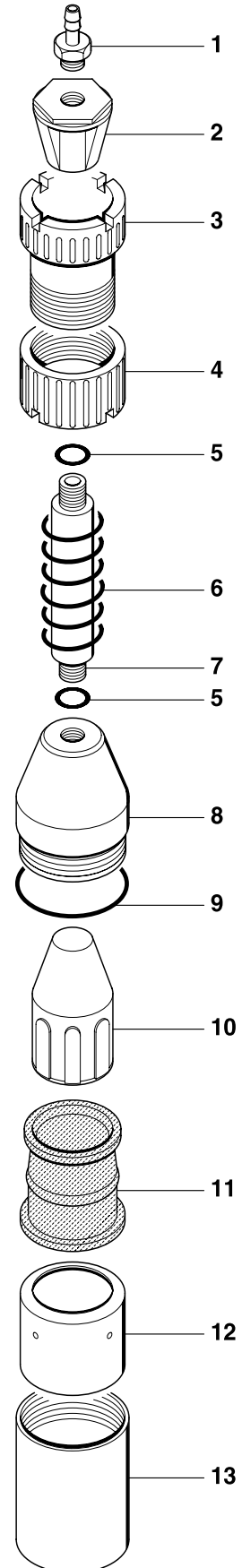
GREIFERKOPF

TULIPA

cod. 001.0064 ø 58



PROFILO INTERNO SCALA 1:1
INTERNAL SECTION SCALE 1:1
PROFIL INTERNE ECHELLE 1:1
INNENPROFIL MASSTAB 1:1
PERFIL INTERIOR ESCALA 1:1



	COD.	MATERIALE	MATERIAL	MATERIEL	WERKSTOFF	MATERIAL
1	024.0001	OTTONE	BRASS	LAITON	MESSING	LATON
2	025.0001	PA	PA	PA	PA	PA
3	026.0001	PA	PA	PA	PA	PA
4	026.0011	PA	PA	PA	PA	PA
5	OR 115	GOMMA	RUBBER	CAOUTCHOUC	GUMMI	GOMA
6	029.0018	AISI	STAINLESS STEEL	ACIER INOXYDABLE	ROSTFREIER STAHL	ACERO INOXIDABLE
7	028.0034	PA	PA	PA	PA	PA
8	027.0051	PA	PA	PA	PA	PA
9	057.0065	GOMMA	RUBBER	CAOUTCHOUC	GUMMI	GOMA
10	030.0030	PA	PA	PA	PA	PA
11	040.0013	GOMMA / TPU	RUBBER / TPU	CAOUTCHOUC TPU	GUMMI / TPU	GOMA / TPU
12	030.0029	AL	AL	AL	AL	AL
13	026.0102	AL	AL	AL	AL	AL

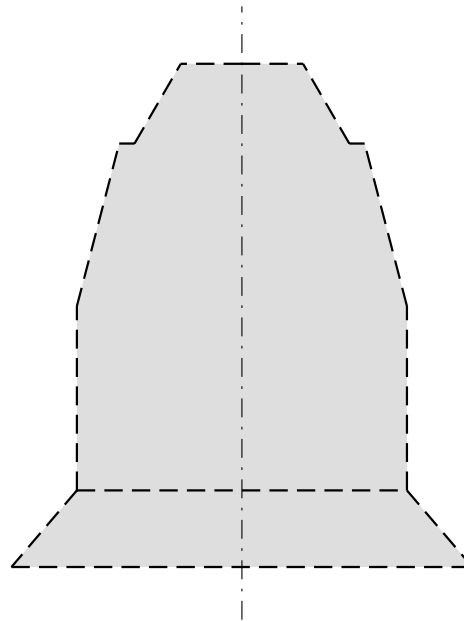
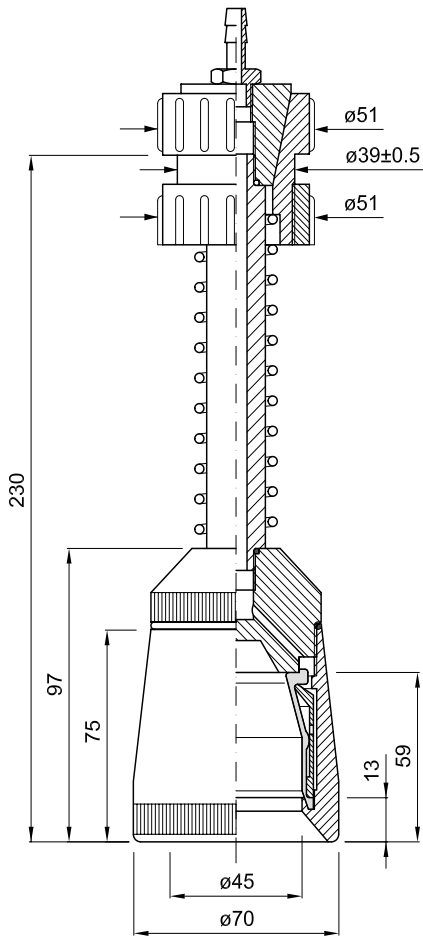
PICK-UP HEAD

TETE DE PREHENSION

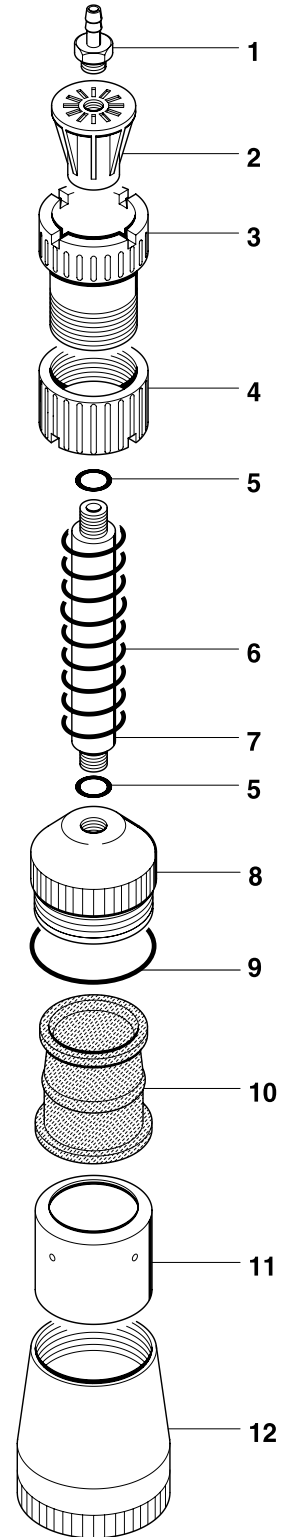
GREIFERKOPF

TULIPA

cod. 001.0080 ø 70

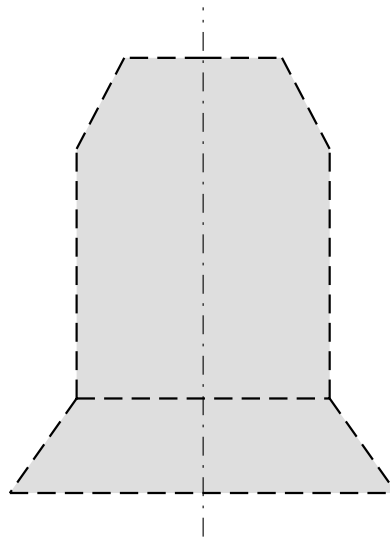
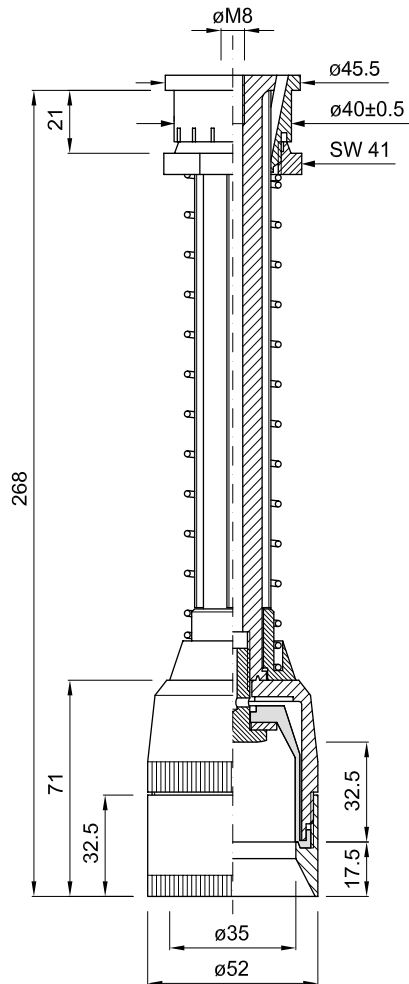


PROFILO INTERNO SCALA 1:1
INTERNAL SECTION SCALE 1:1
PROFIL INTERNE ECHELLE 1:1
INNENPROFIL MASSTAB 1:1
PERFIL INTERIOR ESCALA 1:1

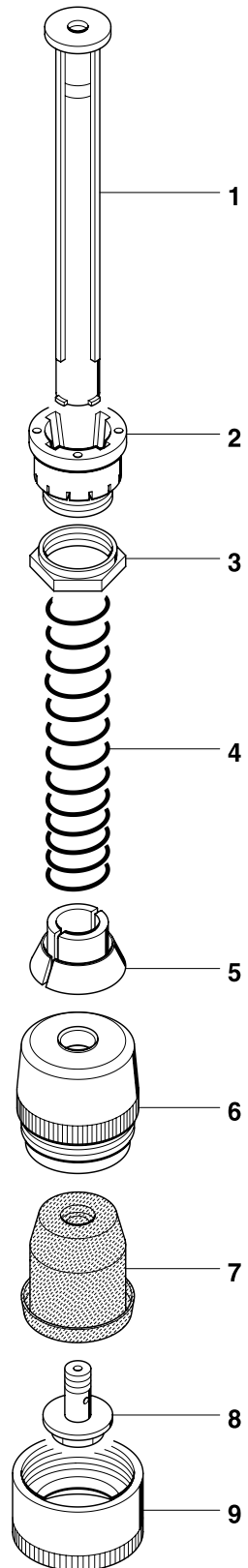


	COD.	MATERIALE	MATERIAL	MATERIEL	WERKSTOFF	MATERIAL
1	024.0001	OTTONE	BRASS	LAITON	MESSING	LATON
2	025.0001	PA	PA	PA	PA	PA
3	026.0001	PA	PA	PA	PA	PA
4	026.0011	PA	PA	PA	PA	PA
5	057.0033	GOMMA	RUBBER	CAOUTCHOUC	GUMMI	GOMA
6	029.0018	AISI	STAINLESS STEEL	ACIER INOXYDABLE	ROSTFREIER STAHL	ACERO INOXIDABLE
7	028.0034	AL	AL	AL	AL	AL
8	027.0063	PA	PA	PA	PA	PA
9	057.0098	GOMMA	RUBBER	CAOUTCHOUC	GUMMI	GOMA
10	040.0013	GOMMA / TPU	RUBBER / TPU	CAOUTCHOUC TPU	GUMMI / TPU	GOMA / TPU
11	030.0029	AL	AL	AL	AL	AL
12	026.0113	PA	PA	AL	PA	PA

cod. 001.0075 ø 52

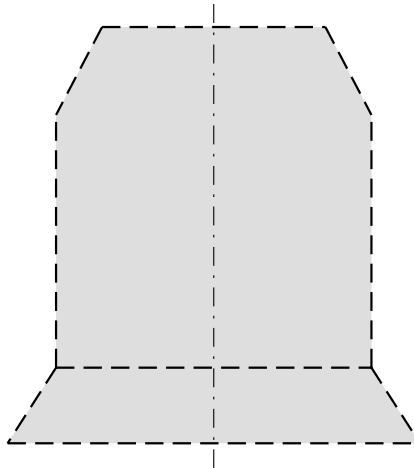
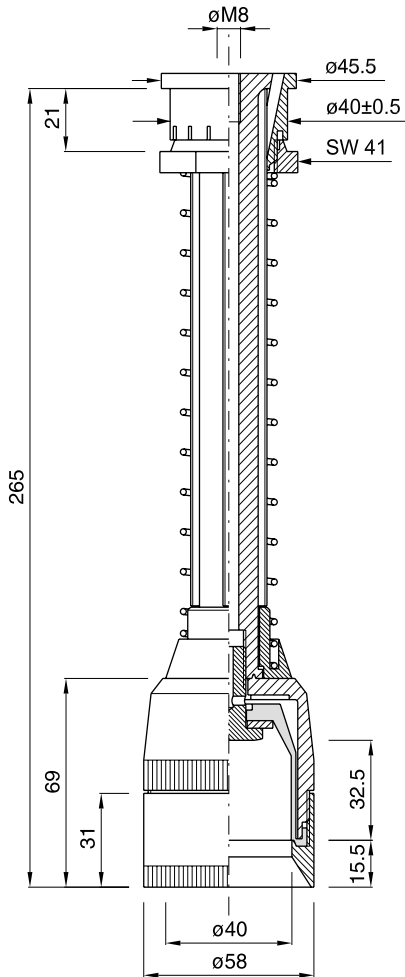


PROFILO INTERNO SCALA 1:1
INTERNAL SECTION SCALE 1:1
PROFIL INTERNE ECHELLE 1:1
INNENPROFIL MASSTAB 1:1
PERFIL INTERIOR ESCALA 1:1

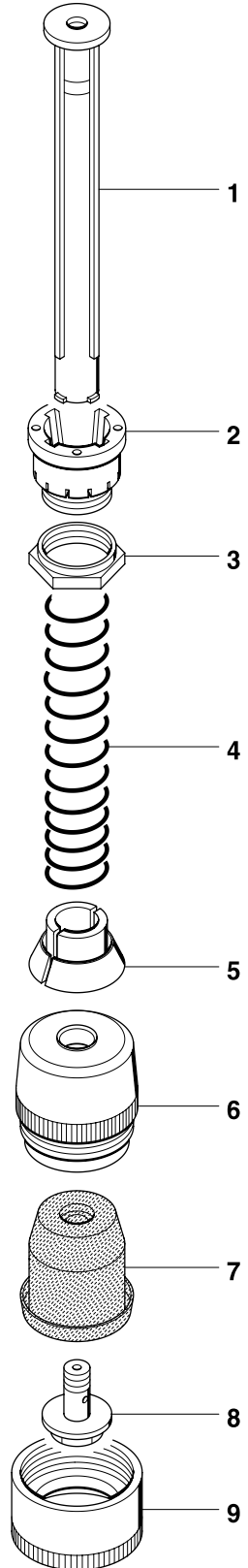


	COD.	MATERIALE	MATERIAL	MATERIEL	WERKSTOFF	MATERIAL
1	028.0032	PA	PA	PA	PA	PA
2	026.0005	PA	PA	PA	PA	PA
3	026.0016	PA	PA	PA	PA	PA
4	029.0023	AISI	STAINLESS STEEL	ACIER INOXYDABLE	ROSTFREIER STAHL	ACERO INOXIDABLE
5	032.0215	PA	PA	PA	PA	PA
6	027.0061	PA	PA	PA	PA	PA
7	040.0014	GOMMA / TPU	RUBBER / TPU	CAOUTCHOUC TPU	GUMMI / TPU	GOMA / TPU
8	032.0027	PA	PA	PA	PA	PA
9	026.0109	PA	PA	PA	PA	PA

cod. 001.0060 ø 58



PROFILO INTERNO SCALA 1:1
INTERNAL SECTION SCALE 1:1
PROFIL INTERNE ECHELLE 1:1
INNENPROFIL MASSTAB 1:1
PERFIL INTERIOR ESCALA 1:1



	COD.	MATERIALE	MATERIAL	MATERIEL	WERKSTOFF	MATERIAL
1	028.0032	PA	PA	PA	PA	PA
2	026.0005	PA	PA	PA	PA	PA
3	026.0016	PA	PA	PA	PA	PA
4	029.0023	AISI	STAINLESS STEEL	ACIER INOXYDABLE	ROSTFREIER STAHL	ACERO INOXIDABLE
5	032.0215	PA	PA	PA	PA	PA
6	027.0048	PA	PA	PA	PA	PA
7	040.0099	GOMMA / TPU	RUBBER / TPU	CAOUTCHOUC TPU	GUMMI / TPU	GOMA / TPU
8	032.0027	PA	PA	PA	PA	PA
9	026.0103	PA	PA	PA	PA	PA

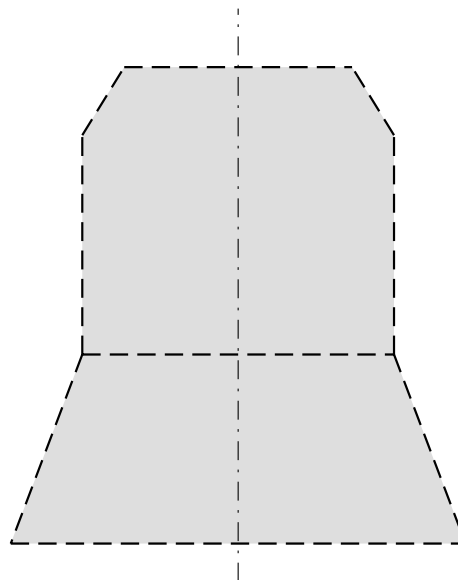
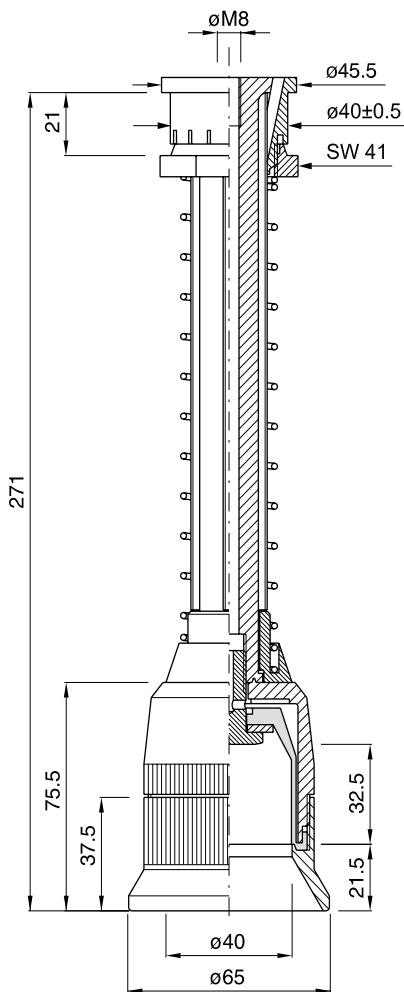
PICK-UP HEAD

TETE DE PREHENSION

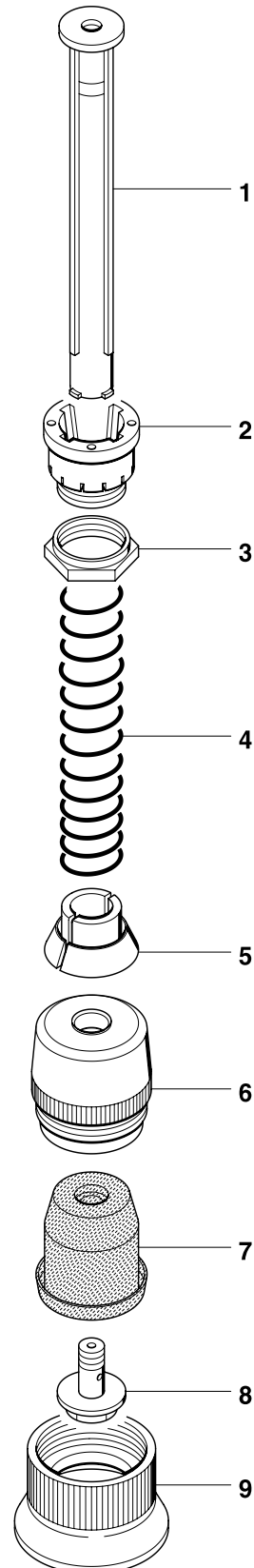
GREIFERKOPF

TULIPA

cod. 001.0076 ø 65

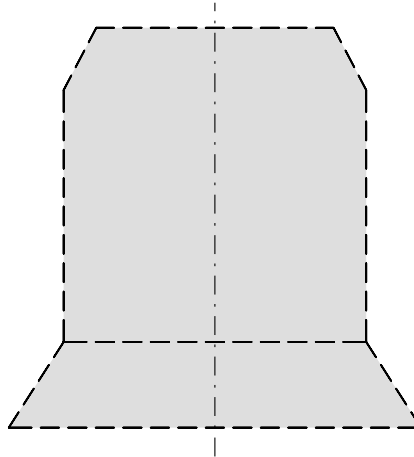
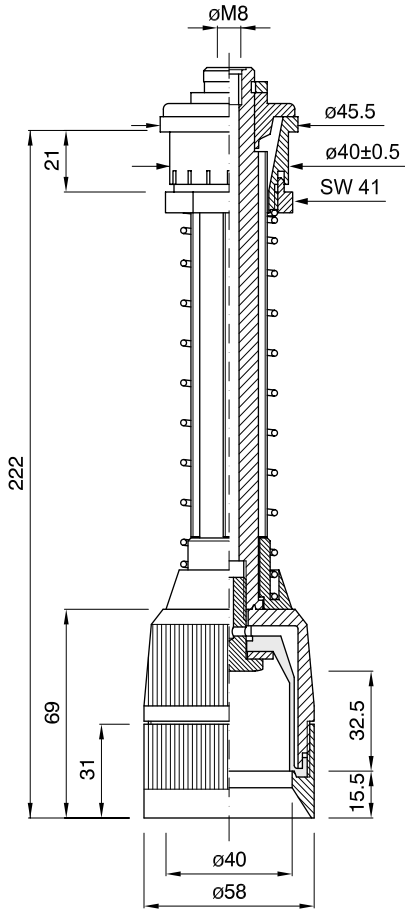


PROFILO INTERNO SCALA 1:1
INTERNAL SECTION SCALE 1:1
PROFIL INTERNE ECHELLE 1:1
INNENPROFIL MASSTAB 1:1
PERFIL INTERIOR ESCALA 1:1

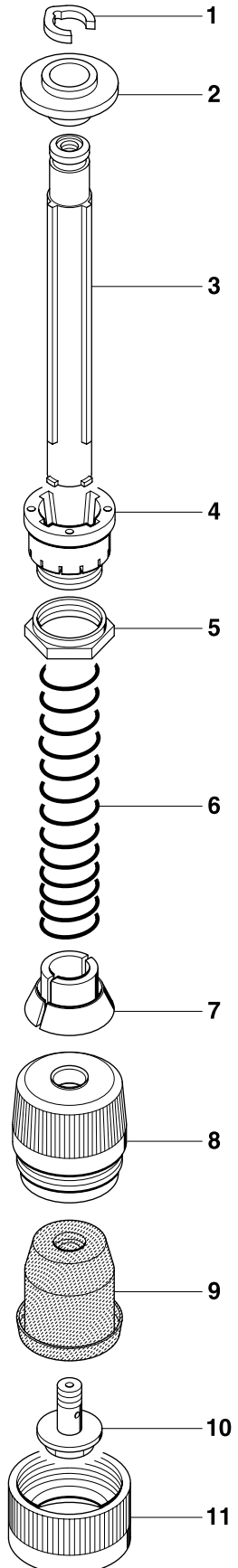


	COD.	MATERIALE	MATERIAL	MATERIEL	WERKSTOFF	MATERIAL
1	028.0032	PA	PA	PA	PA	PA
2	026.0005	PA	PA	PA	PA	PA
3	026.0016	PA	PA	PA	PA	PA
4	029.0023	AISI	STAINLESS STEEL	ACIER INOXYDABLE	ROSTFREIER STAHL	ACERO INOXIDABLE
5	032.0215	PA	PA	PA	PA	PA
6	027.0048	PA	PA	PA	PA	PA
7	040.0099	GOMMA / TPU	RUBBER / TPU	CAOUTCHOUC TPU	GUMMI / TPU	GOMA / TPU
8	032.0027	PA	PA	PA	PA	PA
9	026.0110	PA	PA	PA	PA	PA

cod. 001.0104 ø 58



PROFILO INTERNO SCALA 1:1
INTERNAL SECTION SCALE 1:1
PROFIL INTERNE ECHELLE 1:1
INNENPROFIL MASSTAB 1:1
PERFIL INTERIOR ESCALA 1:1



	COD.	MATERIALE	MATERIAL	MATERIEL	WERKSTOFF	MATERIAL
1	032.0414	PA	PA	PA	PA	PA
2	025.0007	PA	PA	PA	PA	PA
3	028.0044	PA	PA	PA	PA	PA
4	026.0005	PA	PA	PA	PA	PA
5	026.0016	PA	PA	PA	PA	PA
6	029.0023	AISI	STAINLESS STEEL	ACIER INOXYDABLE	ROSTFREIER STAHL	ACERO INOXIDABLE
7	032.0215	PA	PA	PA	PA	PA
8	027.0048	PA	PA	PA	PA	PA
9	040.0099	GOMMA / TPU	RUBBER / TPU	CAOUTCHOUC TPU	GUMMI / TPU	GOMA / TPU
10	032.0027	PA	PA	PA	PA	PA
11	026.0103	PA	PA	PA	PA	PA

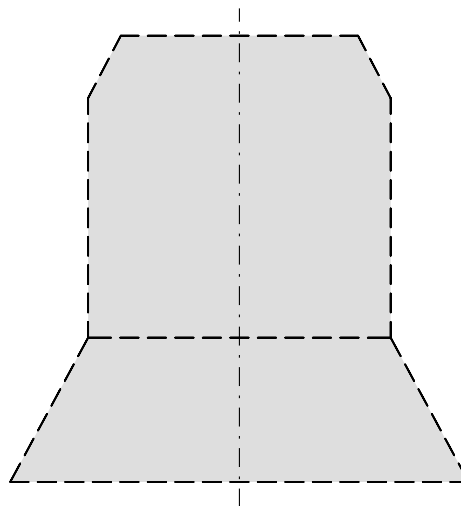
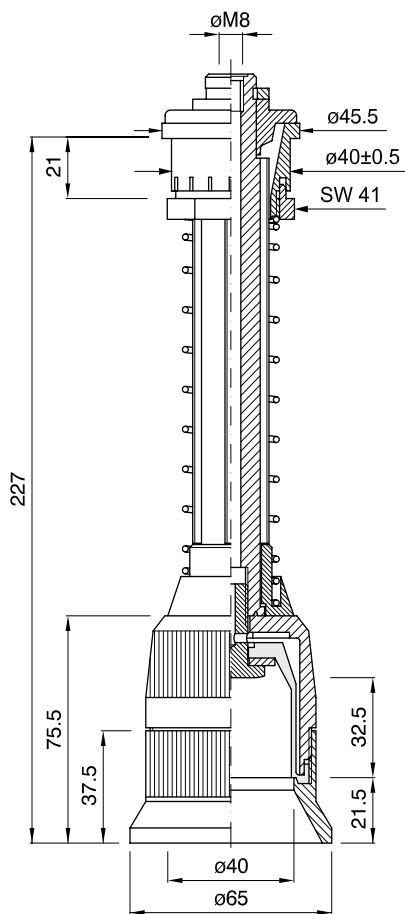
PICK-UP HEAD

TETE DE PREHENSION

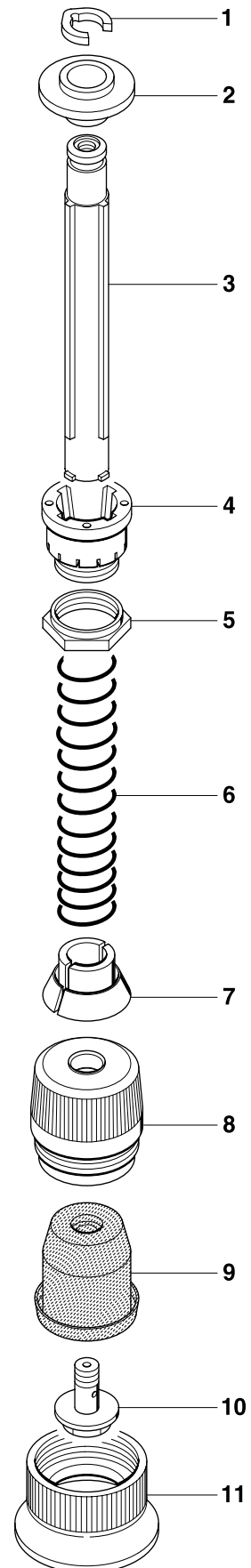
GREIFERKOPF

TULIPA

cod. 001.0107 ø 65

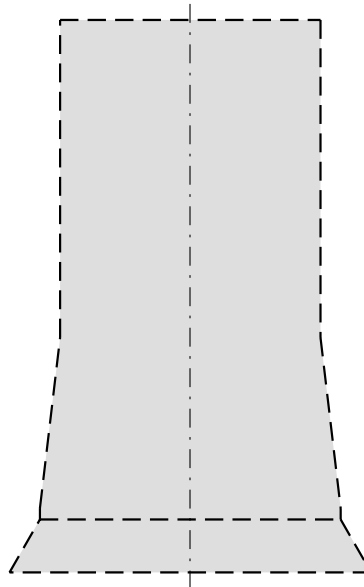
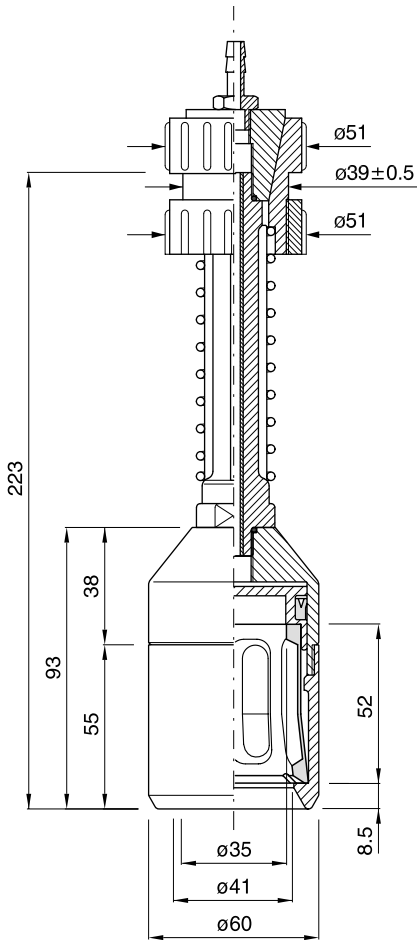


PROFILO INTERNO SCALA 1:1
INTERNAL SECTION SCALE 1:1
PROFIL INTERNE ECHELLE 1:1
INNENPROFIL MASSTAB 1:1
PERFIL INTERIOR ESCALA 1:1

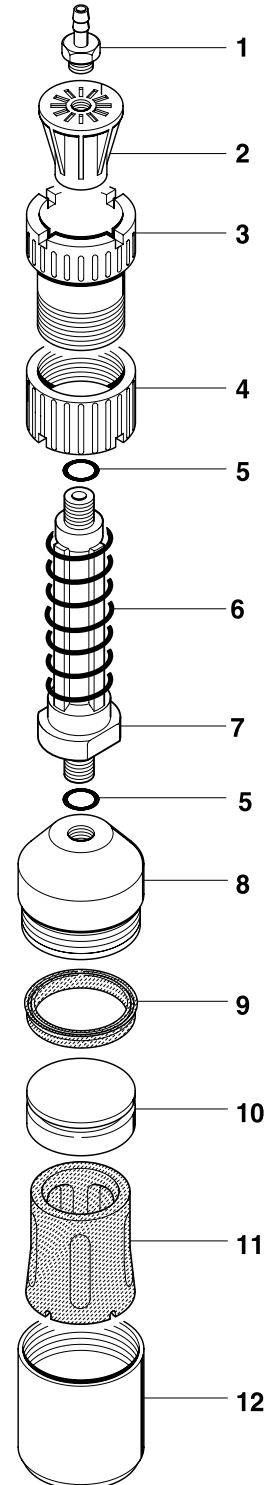


	COD.	MATERIALE	MATERIAL	MATERIEL	WERKSTOFF	MATERIAL
1	032.0414	PA	PA	PA	PA	PA
2	025.0007	PA	PA	PA	PA	PA
3	028.0044	PA	PA	PA	PA	PA
4	026.0005	PA	PA	PA	PA	PA
5	026.0016	PA	PA	PA	PA	PA
6	029.0023	AISI	STAINLESS STEEL	ACIER INOXYDABLE	ROSTFREIER STAHL	ACERO INOXIDABLE
7	032.0215	PA	PA	PA	PA	PA
8	027.0048	PA	PA	PA	PA	PA
9	040.0099	GOMMA / TPU	RUBBER / TPU	CAOUTCHOUC TPU	GUMMI / TPU	GOMA / TPU
10	032.0027	PA	PA	PA	PA	PA
11	026.0110	PA	PA	PA	PA	PA

cod. 001.0065 ø 60



PROFILO INTERNO SCALA 1:1
INTERNAL SECTION SCALE 1:1
PROFIL INTERNE ECHELLE 1:1
INNENPROFIL MASSTAB 1:1
PERFIL INTERIOR ESCALA 1:1



	COD.	MATERIALE	MATERIAL	MATERIEL	WERKSTOFF	MATERIAL
1	024.0001	OTTONE	BRASS	LAITON	MESSING	LATON
2	025.0001	PA	PA	PA	PA	PA
3	026.0001	PA	PA	PA	PA	PA
4	026.0011	PA	PA	PA	PA	PA
5	057.0033	GOMMA	RUBBER	CAOUTCHOUC	GUMMI	GOMA
6	029.0001	AISI	STAINLESS STEEL	ACIER INOXYDABLE	ROSTFREIER STAHL	ACERO INOXIDABLE
7	028.0001	PA	PA	PA	PA	PA
8	027.0052	PA	PA	PA	PA	PA
9	041.0050	TPU	TPU	TPU	TPU	TPU
10	031.0014	PA	PA	PA	PA	PA
11	040.0127	PUR	PUR	PUR	PUR	PUR
12	026.0104	PA	PA	PA	PA	PA

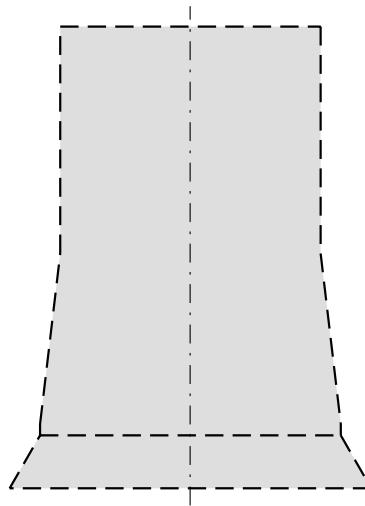
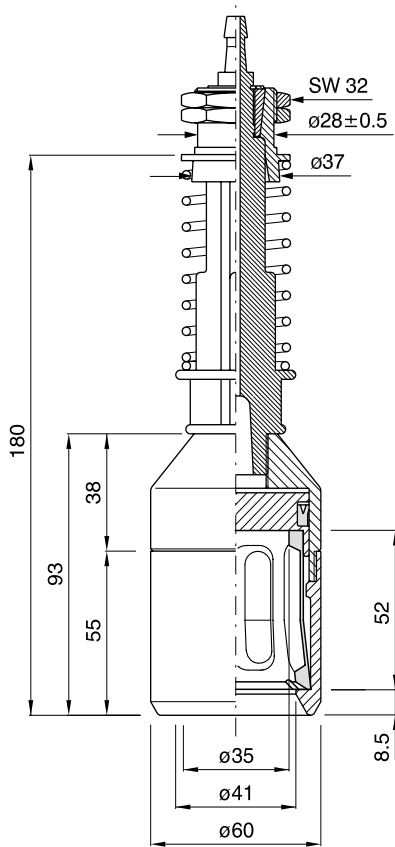
PICK-UP HEAD

TETE DE PREHENSION

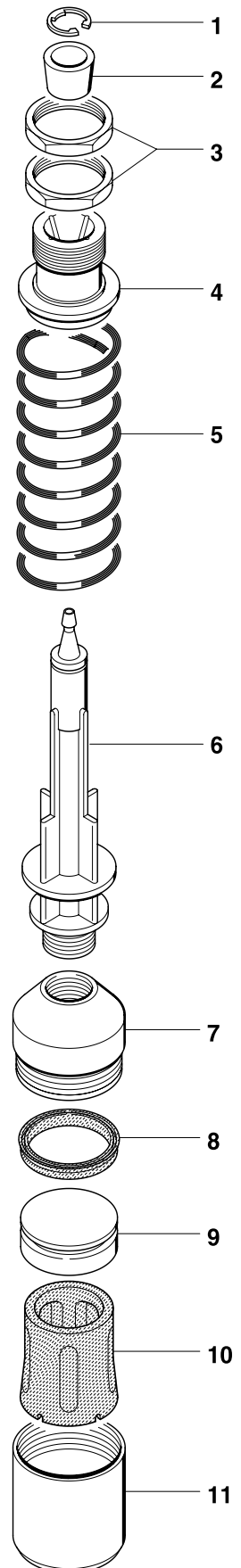
GREIFERKOPF

TULIPA

cod. 001.0072 ø 60



PROFILO INTERNO SCALA 1:1
INTERNAL SECTION SCALE 1:1
PROFIL INTERNE ECHELLE 1:1
INNENPROFIL MASSTAB 1:1
PERFIL INTERIOR ESCALA 1:1



	COD.	MATERIALE	MATERIAL	MATERIEL	WERKSTOFF	MATERIAL
1	032.0014	AISI	STAINLESS STEEL	ACIER INOXYDABLE	ROSTFREIER STAHL	ACERO INOXIDABLE
2	025.0002	PP	PP	PP	PP	PP
3	032.0015	OTTONE	BRASS	LAITON	MESSING	LATON
4	026.0002	PP	PP	PP	PP	PP
5	029.0008	AISI	STAINLESS STEEL	ACIER INOXYDABLE	ROSTFREIER STAHL	ACERO INOXIDABLE
6	028.0037	PP	PP	PP	PP	PP
7	027.0056	PA	PA	PA	PA	PA
8	041.0050	TPU	TPU	TPU	TPU	TPU
9	031.0014	PA	PA	PA	PA	PA
10	040.0127	PUR	PUR	PUR	PUR	PUR
11	026.0104	PA	PA	PA	PA	PA

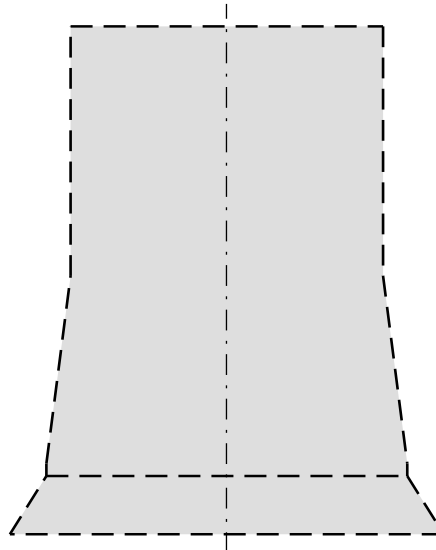
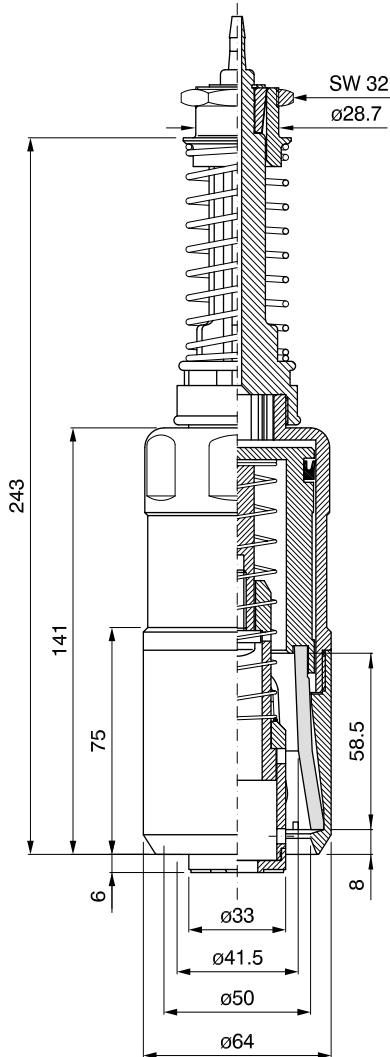
PICK-UP HEAD

TÊTE DE PRÉHENSION

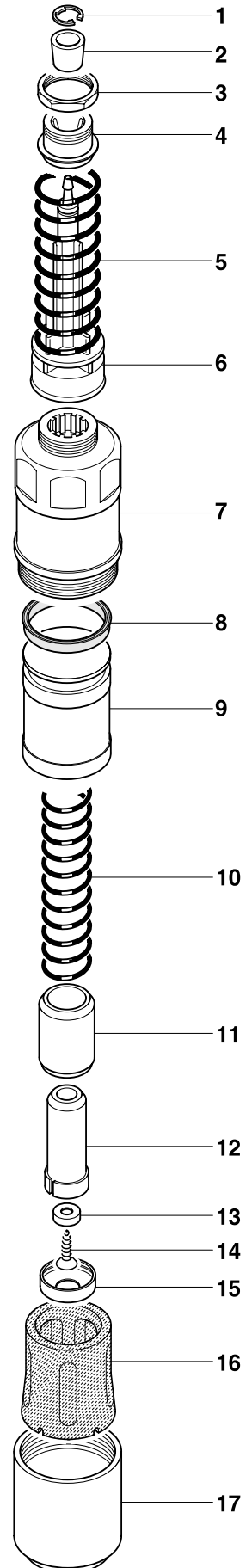
GREIFERKOPF

TULIPA

cod. 001.0109 ø 64



PROFILO INTERNO SCALA 1:1
INTERNAL SECTION SCALE 1:1
PROFIL INTERNE ECHELLE 1:1
INNENPROFIL MASSTAB 1:1
PERFIL INTERIOR ESCALA 1:1



	COD.	MATERIALE	MATERIAL	MATERIEL	WERKSTOFF	MATERIAL
1	032.0014	AISI	STAINLESS STEEL	ACIER INOXYDABLE	ROSTFREIER STAHL	ACERO INOXIDABLE
2	025.0002	AISI	STAINLESS STEEL	ACIER INOXYDABLE	ROSTFREIER STAHL	ACERO INOXIDABLE
3	032.0015	OTTONE	BRASS	LAITON	MESSING	LATON
4	026.0009	AL	AL	AL	AL	AL
5	029.0008	AISI	STAINLESS STEEL	ACIER INOXYDABLE	ROSTFREIER STAHL	ACERO INOXIDABLE
6	028.0048	PA	PA	PA	PA	PA
7	027.0086	PA	PA	PA	PA	PA
8	041.0051	TPU	TPU	TPU	TPU	TPU
9	031.0018	PA	PA	PA	PA	PA
10	029.0033	AISI	STAINLESS STEEL	ACIER INOXYDABLE	ROSTFREIER STAHL	ACERO INOXIDABLE
11	031.0020	PA	PA	PA	PA	PA
12	031.0019	AISI	STAINLESS STEEL	ACIER INOXYDABLE	ROSTFREIER STAHL	ACERO INOXIDABLE
13	032.0058	PA	PA	PA	PA	PA
14	032.0012	AISI	STAINLESS STEEL	ACIER INOXYDABLE	ROSTFREIER STAHL	ACERO INOXIDABLE
15	031.0021	PA	PA	PA	PA	PA
16	040.0158	PUR	PUR	PUR	PUR	PUR
17	026.0134	PA	PA	PA	PA	PA

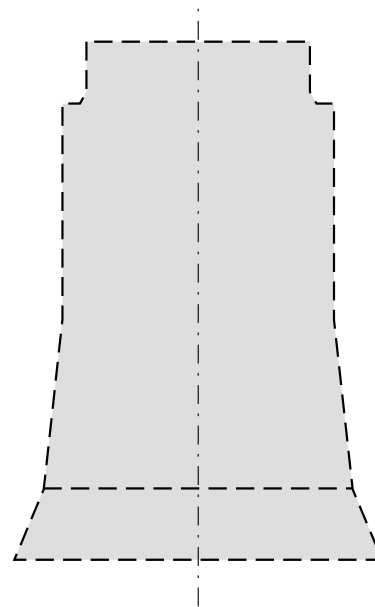
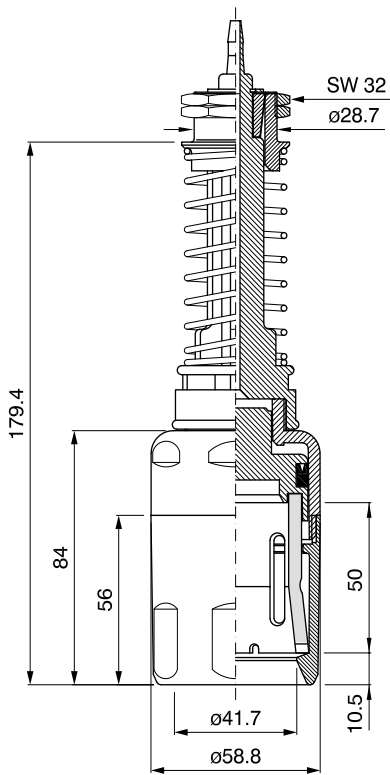
PICK-UP HEAD

TÊTE DE PRÉHENSION

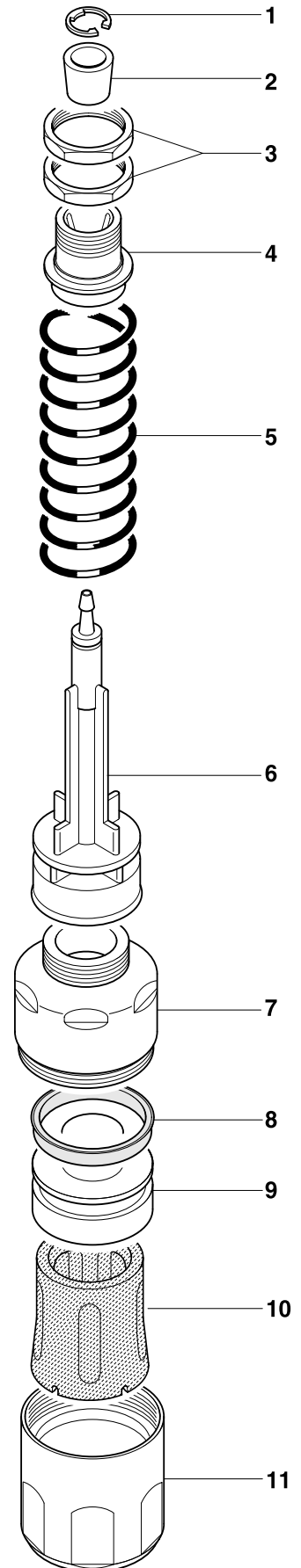
GREIFERKOPF

TULIPA

cod. 001.0110 ø 58,8

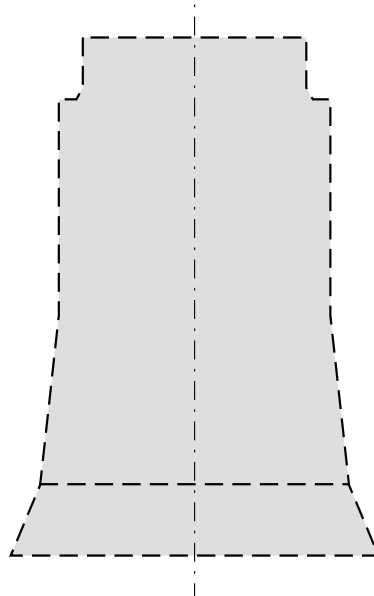
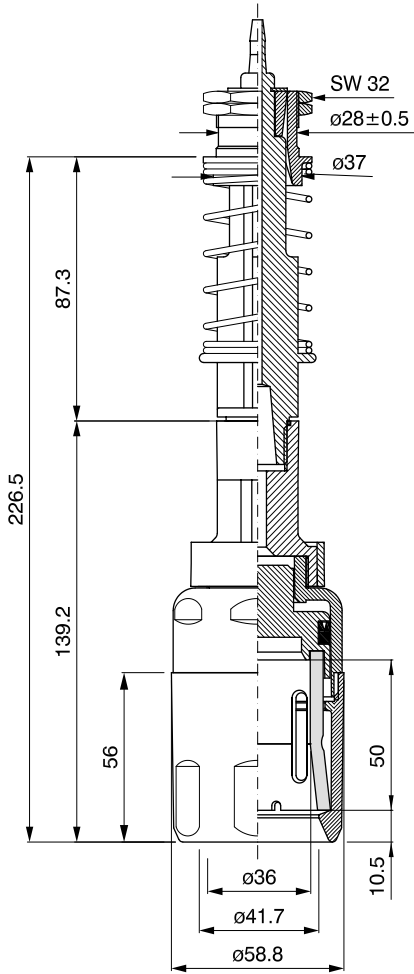


PROFILO INTERNO SCALA 1:1
INTERNAL SECTION SCALE 1:1
PROFIL INTERNE ECHELLE 1:1
INNENPROFIL MASSTAB 1:1
PERFIL INTERIOR ESCALA 1:1

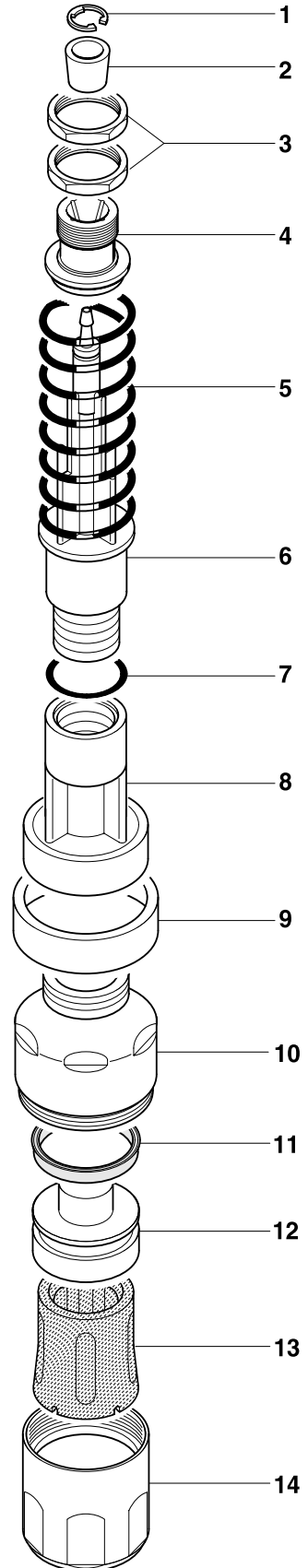


	COD.	MATERIALE	MATERIAL	MATERIEL	WERKSTOFF	MATERIAL
1	032.0014	AISI	STAINLESS STEEL	ACIER INOXYDABLE	ROSTFREIER STAHL	ACERO INOXIDABLE
2	025.0002	PA	PA	PA	PA	PA
3	032.0015	OTTONE	BRASS	LAITON	MESSING	LATON
4	026.0009	AL	AL	AL	AL	AL
5	029.0008	AISI	STAINLESS STEEL	ACIER INOXYDABLE	ROSTFREIER STAHL	ACERO INOXIDABLE
6	028.0048	PA	PA	PA	PA	PA
7	027.0087	PA	PA	PA	PA	PA
8	041.0050	TPU	TPU	TPU	TPU	TPU
9	031.0022	PA	PA	PA	PA	PA
10	040.0127	PUR	PUR	PUR	PUR	PUR
11	026.0135	PA	PA	PA	PA	PA

cod. 001.01101 ø 58,8



PROFILO INTERNO SCALA 1:1
 INTERNAL SECTION SCALE 1:1
 PROFIL INTERNE ECHELLE 1:1
 INNENPROFIL MASSTAB 1:1
 PERFIL INTERIOR ESCALA 1:1



	COD.	MATERIALE	MATERIAL	MATERIEL	WERKSTOFF	MATERIAL
1	032.0014	AISI	STAINLESS STEEL	ACIER INOXYDABLE	ROSTFREIER STAHL	ACERO INOXIDABLE
2	025.0002	PA	PA	PA	PA	PA
3	032.0015	OTTONE	BRASS	LAITON	MESSING	LATON
4	026.0002	PA	PA	PA	PA	PA
5	029.0008	AISI	STAINLESS STEEL	ACIER INOXYDABLE	ROSTFREIER STAHL	ACERO INOXIDABLE
6	028.0037	PA	PA	PA	PA	PA
7	057.0017	NBR	NBR	NBR	NBR	NBR
8	028.0049	PA	PA	PA	PA	PA
9	032.0020	PA	PA	PA	PA	PA
10	027.0087	PA	PA	PA	PA	PA
11	041.0050	TPU	TPU	TPU	TPU	TPU
12	031.0022	PA	PA	PA	PA	PA
13	040.0127	PUR	PUR	PUR	PUR	PUR
14	026.0135	PA	PA	PA	PA	PA

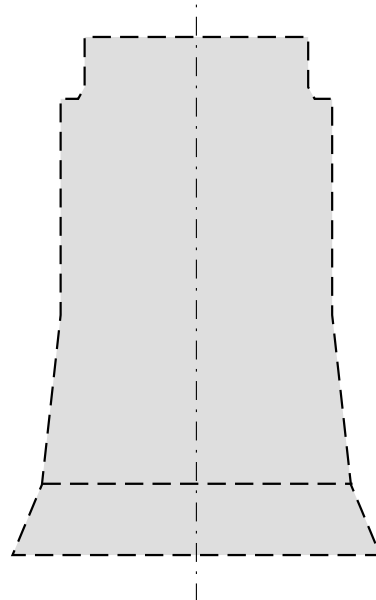
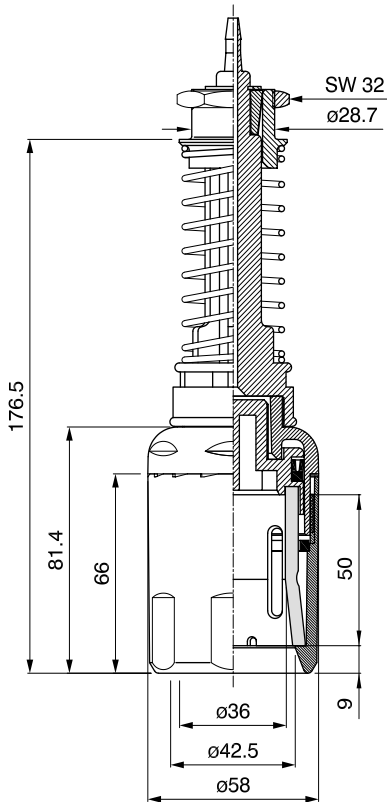
PICK-UP HEAD

TÊTE DE PRÉHENSION

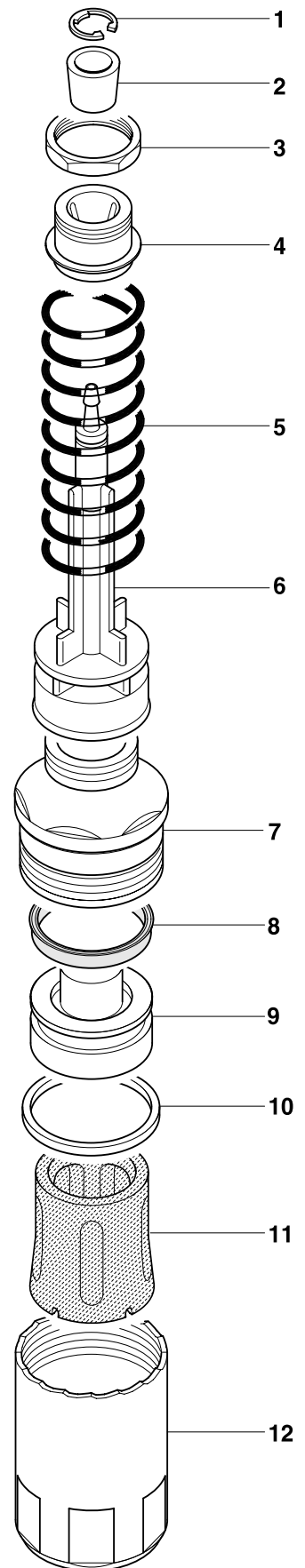
GREIFERKOPF

TULIPA

cod. 001.0113 ø 58



PROFILO INTERNO SCALA 1:1
INTERNAL SECTION SCALE 1:1
PROFIL INTERNE ECHELLE 1:1
INNENPROFIL MASSTAB 1:1
PERFIL INTERIOR ESCALA 1:1



	COD.	MATERIALE	MATERIAL	MATERIEL	WERKSTOFF	MATERIAL
1	032.0014	AISI	STAINLESS STEEL	ACIER INOXYDABLE	ROSTFREIER STAHL	ACERO INOXIDABLE
2	025.0002	PA	PA	PA	PA	PA
3	032.0015	OTTONE	BRASS	LAITON	MESSING	LATON
4	026.0009	AL	AL	AL	AL	AL
5	029.0008	AISI	STAINLESS STEEL	ACIER INOXYDABLE	ROSTFREIER STAHL	ACERO INOXIDABLE
6	028.0048	PA	PA	PA	PA	PA
7	027.0089	PA	PA	PA	PA	PA
8	041.0052	TPU	TPU	TPU	TPU	TPU
9	031.0023	PA	PA	PA	PA	PA
10	032.0217	PA	PA	PA	PA	PA
11	040.0127	PUR	PUR	PUR	PUR	PUR
12	026.0137	PA	PA	PA	PA	PA

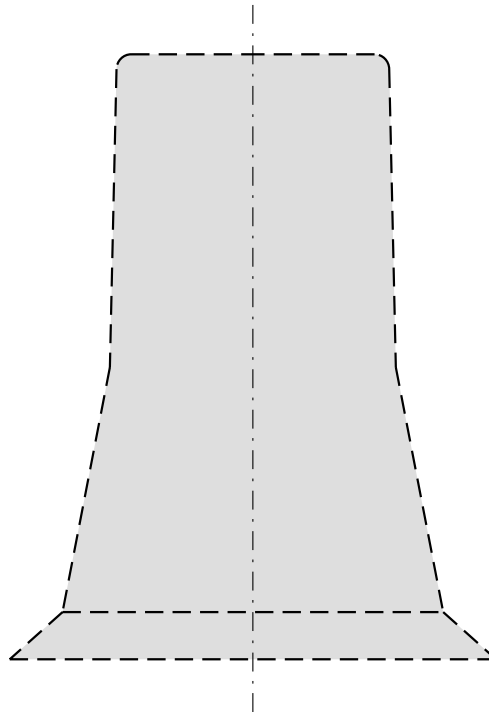
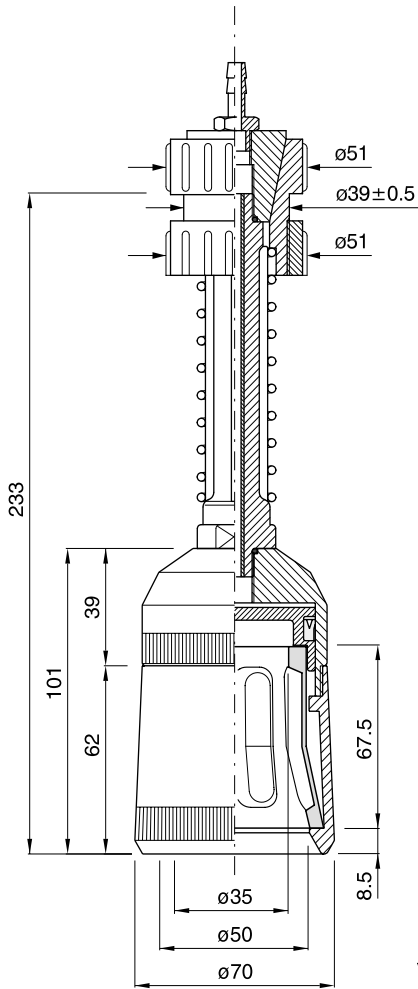
PICK-UP HEAD

TETE DE PREHENSION

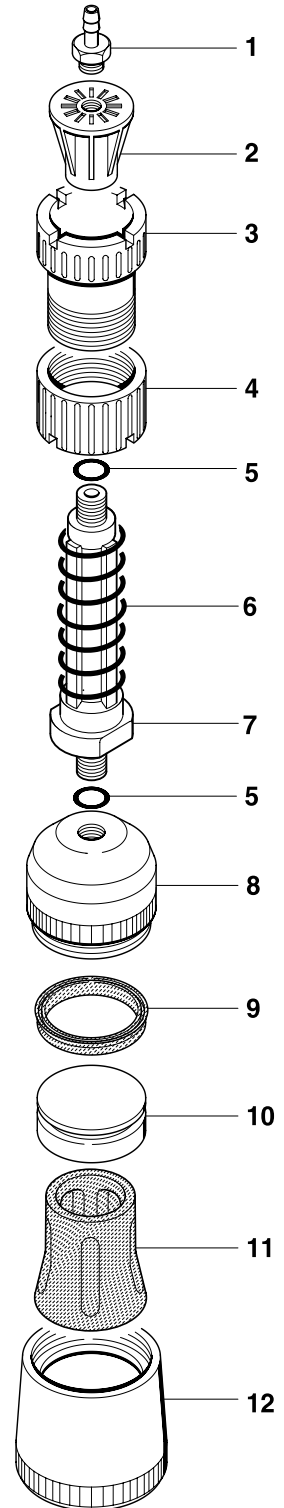
GREIFERKOPF

TULIPA

cod. 001.0081 ø 70

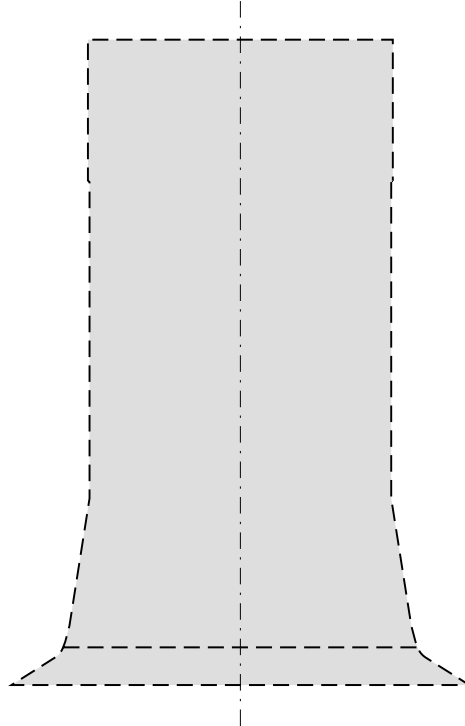
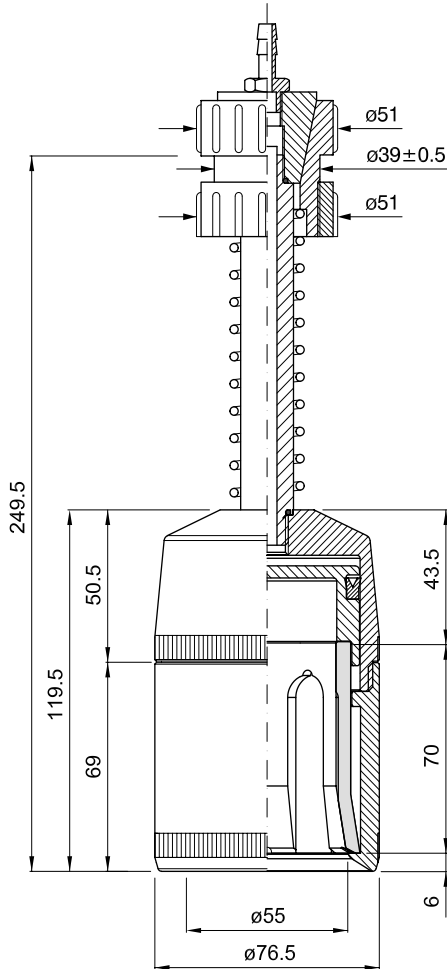


PROFILO INTERNO SCALA 1:1
INTERNAL SECTION SCALE 1:1
PROFIL INTERNE ECHELLE 1:1
INNENPROFIL MASSTAB 1:1
PERFIL INTERIOR ESCALA 1:1

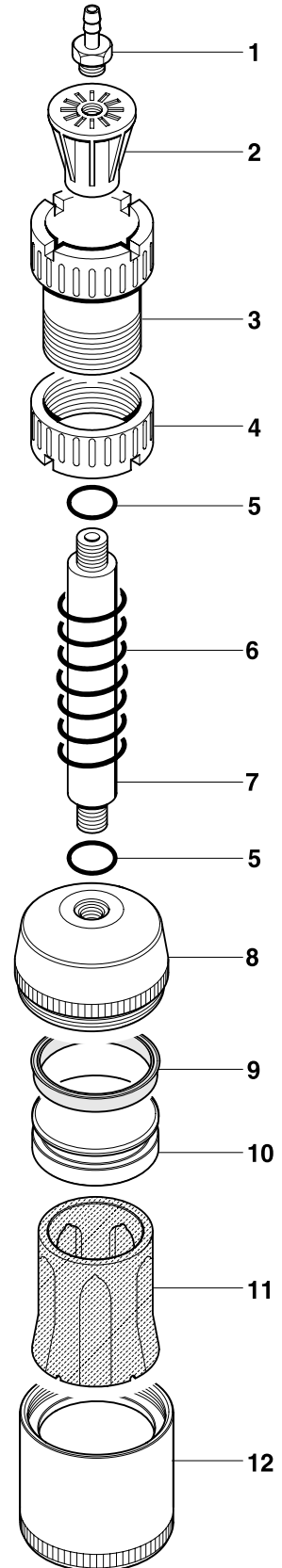


	COD.	MATERIALE	MATERIAL	MATERIEL	WERKSTOFF	MATERIAL
1	024.0001	OTTONE	BRASS	LAITON	MESSING	LATON
2	025.0001	PA	PA	PA	PA	PA
3	026.0001	PA	PA	PA	PA	PA
4	026.0011	PA	PA	PA	PA	PA
5	057.0033	GOMMA	RUBBER	CAOUTCHOUC	GUMMI	GOMA
6	029.0001	AISI	STAINLESS STEEL	ACIER INOXYDABLE	ROSTFREIER STAHL	ACERO INOXIDABLE
7	028.0001	AL	AL	AL	AL	AL
8	027.0064	PA	PA	PA	PA	PA
9	041.0050	TPU	TPU	TPU	TPU	TPU
10	031.0014	PA	PA	PA	PA	PA
11	040.0134	PUR	PUR	PUR	PUR	PUR
12	026.0114	PA	PA	PA	PA	PA

cod. 001.0124 ø 76,5

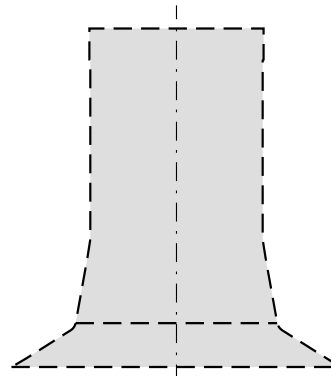
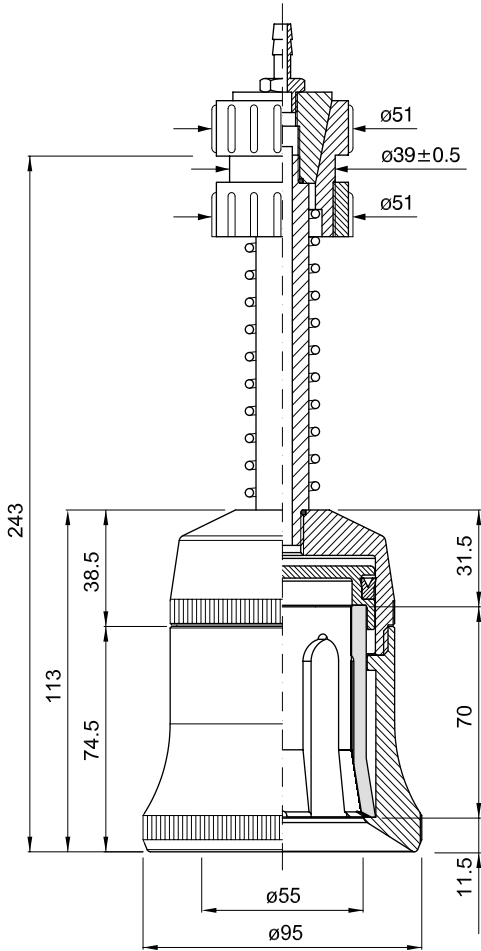


PROFILO INTERNO SCALA 1:1
INTERNAL SECTION SCALE 1:1
PROFIL INTERNE ECHELLE 1:1
INNENPROFIL MASSTAB 1:1
PERFIL INTERIOR ESCALA 1:1

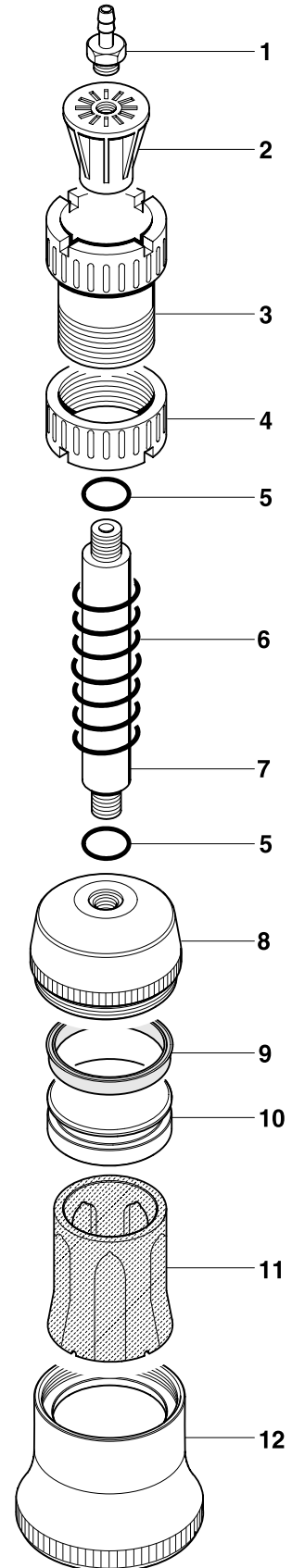


	COD.	MATERIALE	MATERIAL	MATERIEL	WERKSTOFF	MATERIAL
1	024.0001	OTTONE	BRASS	LAITON	MESSING	LATON
2	025.0001	PA	PA	PA	PA	PA
3	026.0001	PA	PA	PA	PA	PA
4	026.0011	PA	PA	PA	PA	PA
5	057.0033	GOMMA	RUBBER	CAOUTCHOUC	GUMMI	GOMA
6	029.0001	AISI	STAINLESS STEEL	ACIER INOXYDABLE	ROSTFREIER STAHL	ACERO INOXIDABLE
7	028.0001	AL	AL	AL	AL	AL
8	027.0100	PA	PA	PA	PA	PA
9	041.0277	TPU	TPU	TPU	TPU	TPU
10	031.0034	PA	PA	PA	PA	PA
11	040.0167	PUR	PUR	PUR	PUR	PUR
12	026.0144	PA	PA	PA	PA	PA

cod. 001.0125 ø 95

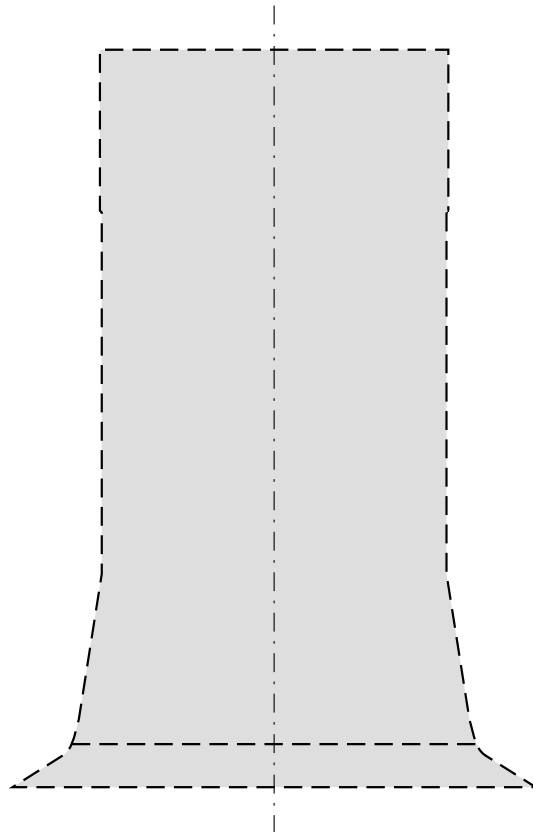
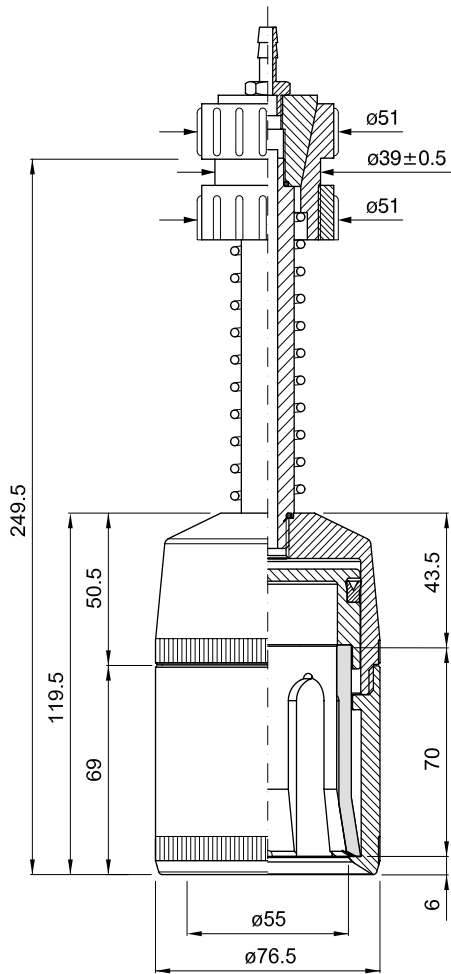


PROFILO INTERNO SCALA 1:2
 INTERNAL SECTION SCALE 1:2
 PROFIL INTERNE ECHELLE 1:2
 INNENPROFIL MASSTAB 1:2
 PERFIL INTERIOR ESCALA 1:2

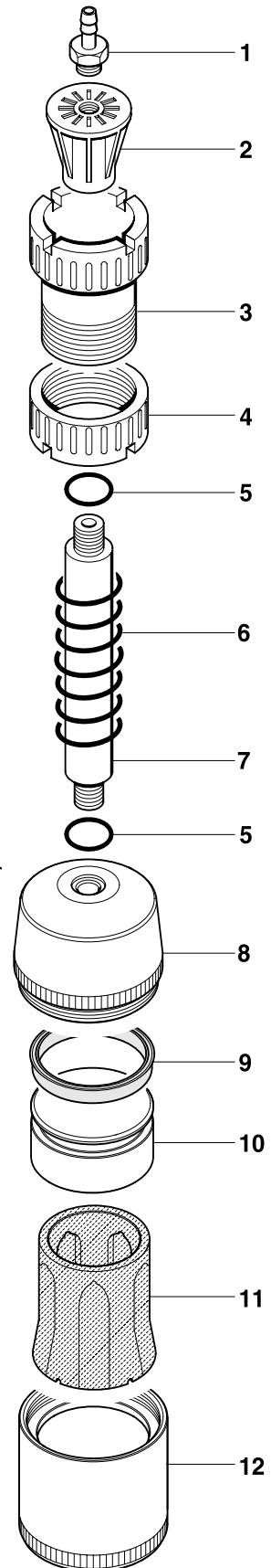


	COD.	MATERIALE	MATERIAL	MATERIEL	WERKSTOFF	MATERIAL
1	024.0001	OTTONE	BRASS	LAITON	MESSING	LATON
2	025.0001	PA	PA	PA	PA	PA
3	026.0001	PA	PA	PA	PA	PA
4	026.0011	PA	PA	PA	PA	PA
5	057.0033	GOMMA	RUBBER	CAOUTCHOUC	GUMMI	GOMA
6	029.0001	AISI	STAINLESS STEEL	ACIER INOXYDABLE	ROSTFREIER STAHL	ACERO INOXIDABLE
7	028.0001	AL	AL	AL	AL	AL
8	027.0100	PA	PA	PA	PA	PA
9	041.0277	TPU	TPU	TPU	TPU	TPU
10	031.0034	PA	PA	PA	PA	PA
11	040.0167	PUR	PUR	PUR	PUR	PUR
12	026.0145	PA	PA	PA	PA	PA

cod. 001.0126 ø 76,5

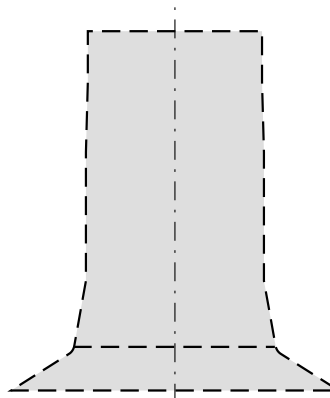
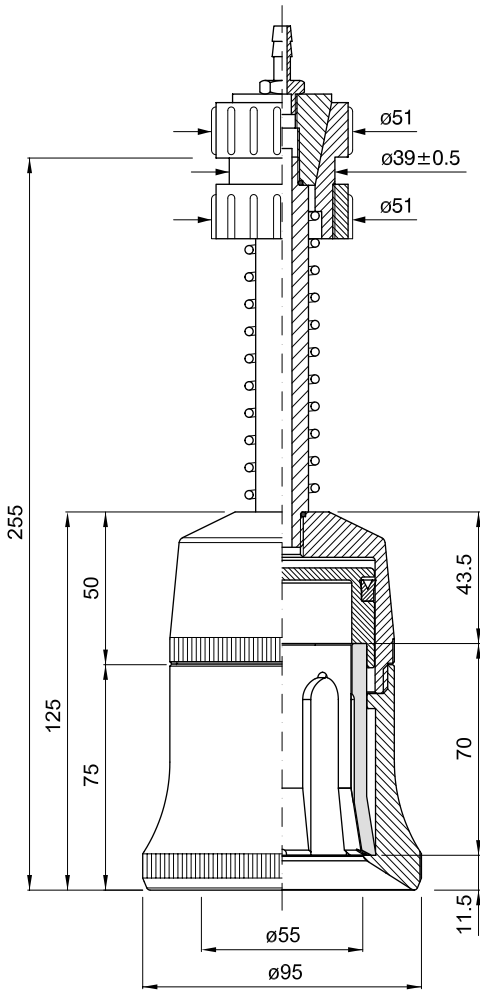


PROFILO INTERNO SCALA 1:1
INTERNAL SECTION SCALE 1:1
PROFIL INTERNE ECHELLE 1:1
INNENPROFIL MASSTAB 1:1
PERFIL INTERIOR ESCALA 1:1

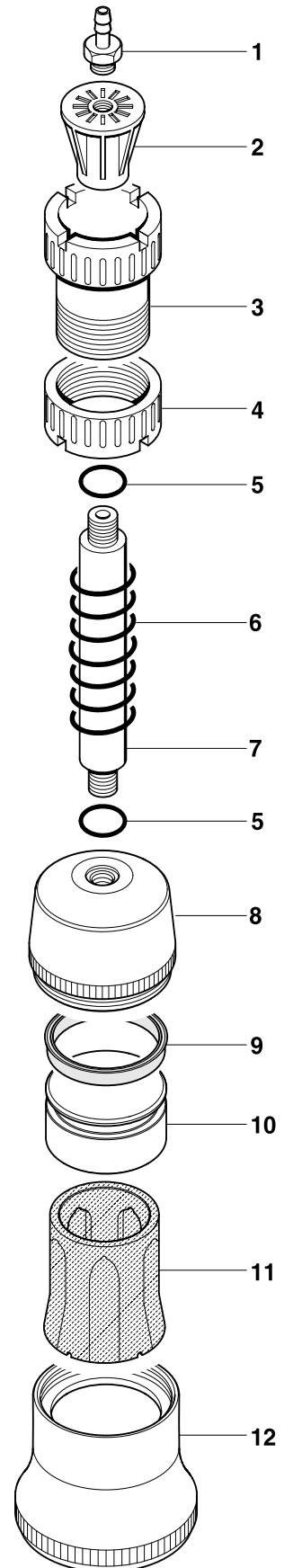


	COD.	MATERIALE	MATERIAL	MATERIEL	WERKSTOFF	MATERIAL
1	024.0001	OTTONE	BRASS	LAITON	MESSING	LATON
2	025.0001	PA	PA	PA	PA	PA
3	026.0001	PA	PA	PA	PA	PA
4	026.0011	PA	PA	PA	PA	PA
5	057.0033	GOMMA	RUBBER	CAOUTCHOUC	GUMMI	GOMA
6	029.0001	AISI	STAINLESS STEEL	ACIER INOXYDABLE	ROSTFREIER STAHL	ACERO INOXIDABLE
7	028.0001	AL	AL	AL	AL	AL
8	027.0101	PA	PA	PA	PA	PA
9	041.0277	TPU	TPU	TPU	TPU	TPU
10	031.0035	PA	PA	PA	PA	PA
11	040.0167	PUR	PUR	PUR	PUR	PUR
12	026.0144	PA	PA	PA	PA	PA

cod. 001.0127 ø 95

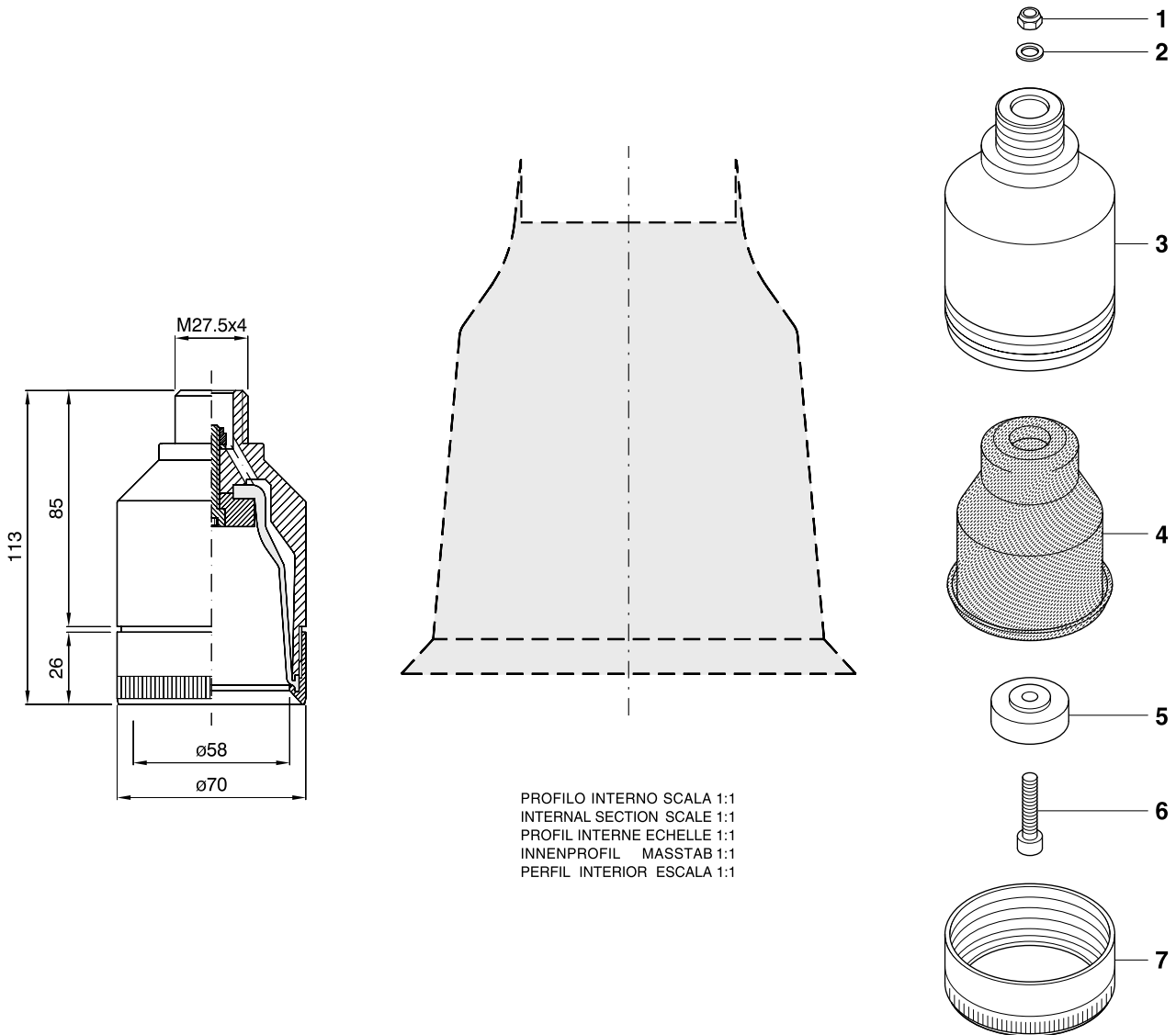


PROFILO INTERNO SCALA 1:2
INTERNAL SECTION SCALE 1:2
PROFIL INTERNE ECHELLE 1:2
INNENPROFIL MASSTAB 1:2
PERFIL INTERIOR ESCALA 1:2



	COD.	MATERIALE	MATERIAL	MATERIEL	WERKSTOFF	MATERIAL
1	024.0001	OTTONE	BRASS	LAITON	MESSING	LATON
2	025.0001	PA	PA	PA	PA	PA
3	026.0001	PA	PA	PA	PA	PA
4	026.0011	PA	PA	PA	PA	PA
5	057.0033	GOMMA	RUBBER	CAOUTCHOUC	GUMMI	GOMA
6	029.0001	AISI	STAINLESS STEEL	ACIER INOXYDABLE	ROSTFREIER STAHL	ACERO INOXIDABLE
7	028.0001	AL	AL	AL	AL	AL
8	027.0101	PA	PA	PA	PA	PA
9	041.0277	TPU	TPU	TPU	TPU	TPU
10	031.0035	PA	PA	PA	PA	PA
11	040.0167	PUR	PUR	PUR	PUR	PUR
12	026.0145	PA	PA	PA	PA	PA

cod. 001.0093 ø 70



	COD.	MATERIALE	MATERIAL	MATERIEL	WERKSTOFF	MATERIAL
1	032.0043	AISI	STAINLESS STEEL	ACIER INOXYDABLE	ROSTFREIER STAHL	ACERO INOXIDABLE
2	032.0042	AISI	STAINLESS STEEL	ACIER INOXYDABLE	ROSTFREIER STAHL	ACERO INOXIDABLE
3	027.0075	POM	POM	POM	POM	POM
4	040.0071	TPU	TPU	TPU	TPU	TPU
5	030.0036	POM	POM	POM	POM	POM
6	032.0041	AISI	STAINLESS STEEL	ACIER INOXYDABLE	ROSTFREIER STAHL	ACERO INOXIDABLE
7	026.0100	AISI	STAINLESS STEEL	ACIER INOXYDABLE	ROSTFREIER STAHL	ACERO INOXIDABLE

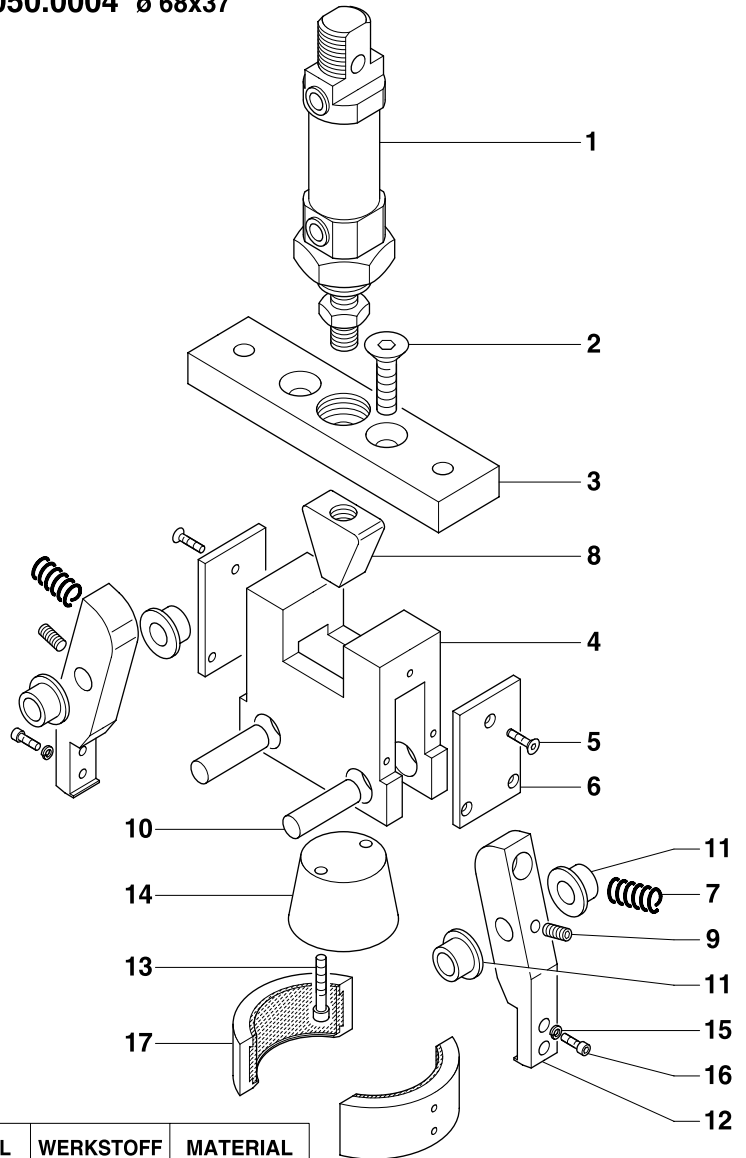
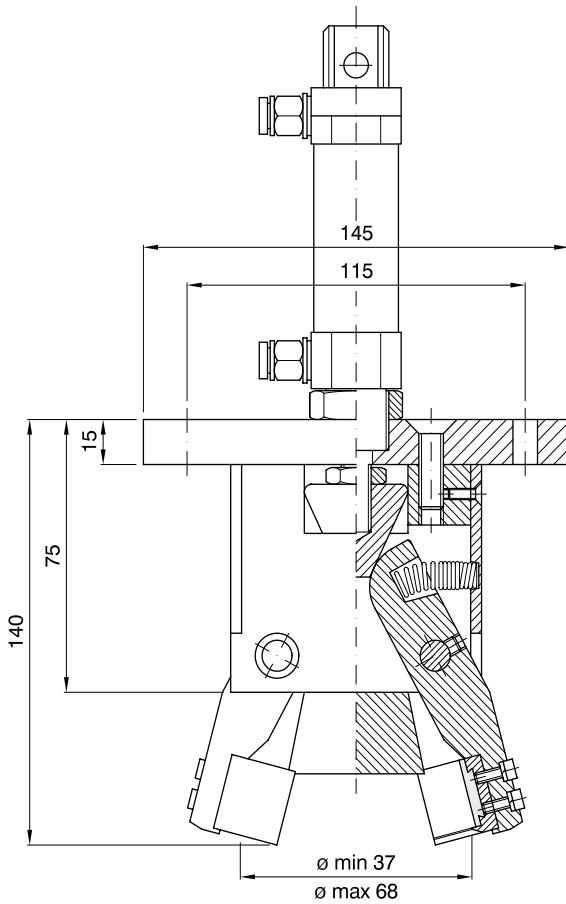
PICK-UP HEAD

PINCE DE PREHENSION

GREIFERKOPF

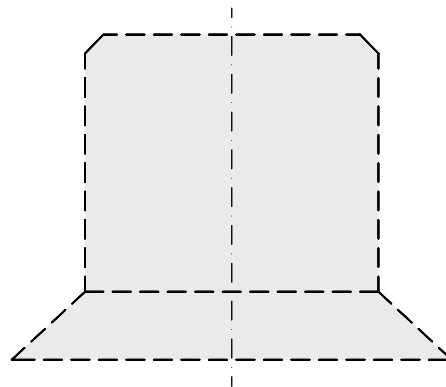
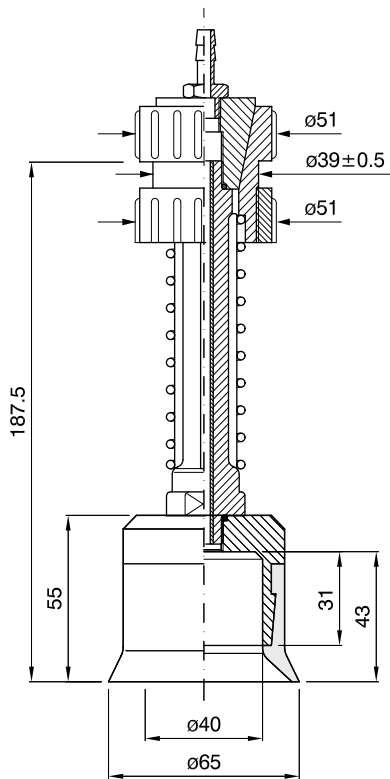
TULIPA

cod. 050.0004 ø 68x37

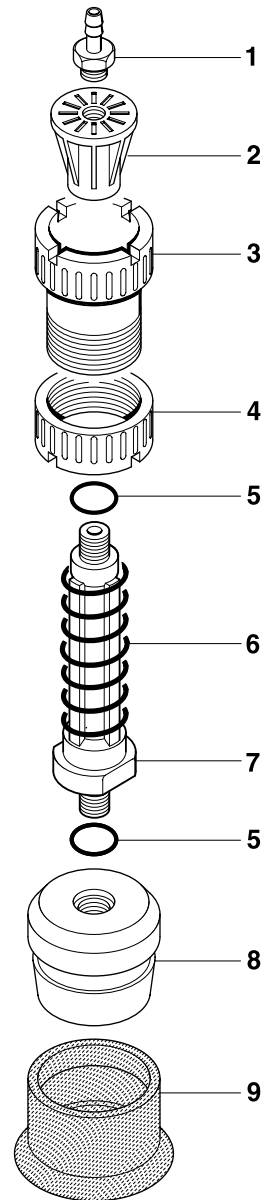


	COD.	MATERIALE	MATERIAL	MATERIEL	WERKSTOFF	MATERIAL
1	028.0040	AL	AL	AL	AL	AL
2	032.0044	AISI	STAINLESS STEEL	ACIER INOXYDABLE	ROSTFREIER STAHL	ACERO INOXIDABLE
3	050.0116	AL	AL	AL	AL	AL
4	050.0111	AL	AL	AL	AL	AL
5	032.0045	AISI	STAINLESS STEEL	ACIER INOXYDABLE	ROSTFREIER STAHL	ACERO INOXIDABLE
6	050.0112	AL	AL	AL	AL	AL
7	029.0028	AISI	STAINLESS STEEL	ACIER INOXYDABLE	ROSTFREIER STAHL	ACERO INOXIDABLE
8	050.0113	POM	POM	POM	POM	POM
9	032.0046	AISI	STAINLESS STEEL	ACIER INOXYDABLE	ROSTFREIER STAHL	ACERO INOXIDABLE
10	050.0114	AISI	STAINLESS STEEL	ACIER INOXYDABLE	ROSTFREIER STAHL	ACERO INOXIDABLE
11	050.0115	TURCITE	TURCITE	TURCITE	TURCITE	TURCITE
12	050.0204	AL	AL	AL	AL	AL
13	032.0053	AISI	STAINLESS STEEL	ACIER INOXYDABLE	ROSTFREIER STAHL	ACERO INOXIDABLE
14	050.0117	PA	PA	PA	PA	PA
15	032.0052	AISI	STAINLESS STEEL	ACIER INOXYDABLE	ROSTFREIER STAHL	ACERO INOXIDABLE
16	032.0051	AISI	STAINLESS STEEL	ACIER INOXYDABLE	ROSTFREIER STAHL	ACERO INOXIDABLE
17	050.0205	AISI - GOMMA	STAINLESS STEEL-RUBBER	ACIER INOXIDABLE-CAOUTCHOUC	ROSTFREIER STAHL-GUMMI	ACERO INOXIDABLE-GOMA

cod. 002.0001 ø 65



PROFILO INTERNO SCALA 1:1
INTERNAL SECTION SCALE 1:1
PROFIL INTERNE ECHELLE 1:1
INNENPROFIL MASSTAB 1:1
PERFIL INTERIOR ESCALA 1:1

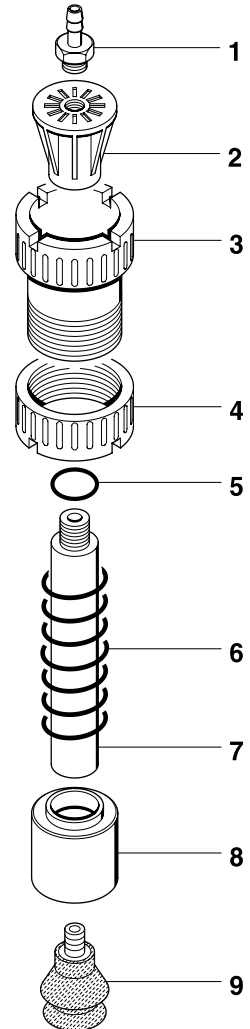
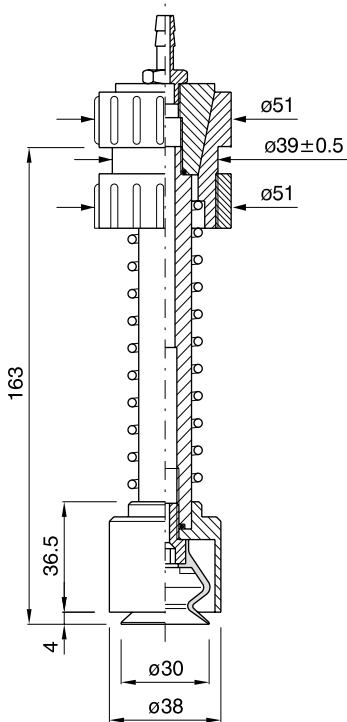


	COD.	MATERIALE	MATERIAL	MATERIEL	WERKSTOFF	MATERIAL
1	024.0001	OTTONE	BRASS	LAITON	MESSING	LATON
2	025.0001	PA	PA	PA	PA	PA
3	026.0001	PA	PA	PA	PA	PA
4	026.0011	PA	PA	PA	PA	PA
5	057.0033	NBR/70	NBR/70	NBR/70	NBR/70	NBR/70
6	029.0001	AISI	STAINLESS STEEL	ACIER INOXYDABLE	ROSTFREIER STAHL	ACERO INOXIDABLE
7	028.0001	AL	AL	AL	AL	AL
8	027.0076	AL	AL	AL	AL	AL
9	006.0146	SILICONE	SILICON	SILICONE	SILIKON	SILICONA

FOLDING SUCKERS WITH BEARING ROD
BALGENSAUGER MIT HALTER

VENTOUSE A SOUFFLETS AVEC SUPPORT
VENTOSAS DE FUELLE CON SOPORTE

cod. 014.0015 ø 38

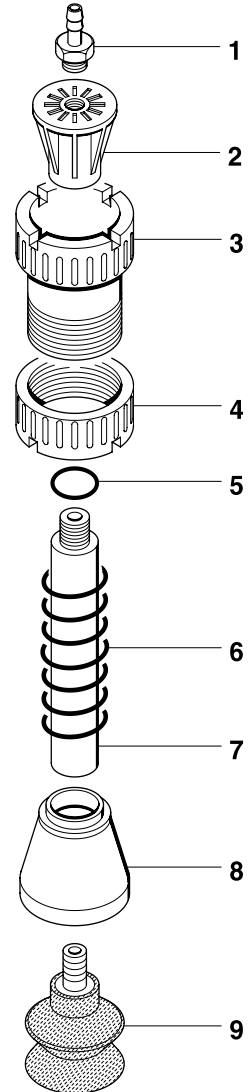
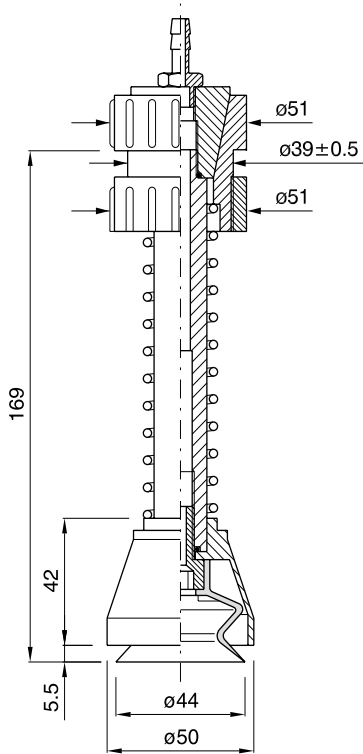


	COD.	MATERIALE	MATERIAL	MATERIEL	WERKSTOFF	MATERIAL
1	024.0001	OTTONE	BRASS	LAITON	MESSING	LATON
2	025.0001	PA	PA	PA	PA	PA
3	026.0001	PA	PA	PA	PA	PA
4	026.0011	PA	PA	PA	PA	PA
5	057.0033	GOMMA	RUBBER	CAOUTCHOUC	GUMMI	GOMA
6	029.0001	AISI	STAINLESS STEEL	ACIER INOXYDABLE	ROSTFREIER STAHL	ACERO INOXIDABLE
7	028.0033	AL	AL	AL	AL	AL
8	027.0049	PA	PA	PA	PA	PA
9	014.0006	GOMMA NAT. / SILICONE	NAT. RUBBER/ SILICON	CAOUTCHOUC NAT. SILICONE	NATURGUMMI / SILIKON	NAT. GOMA/ SILICONA

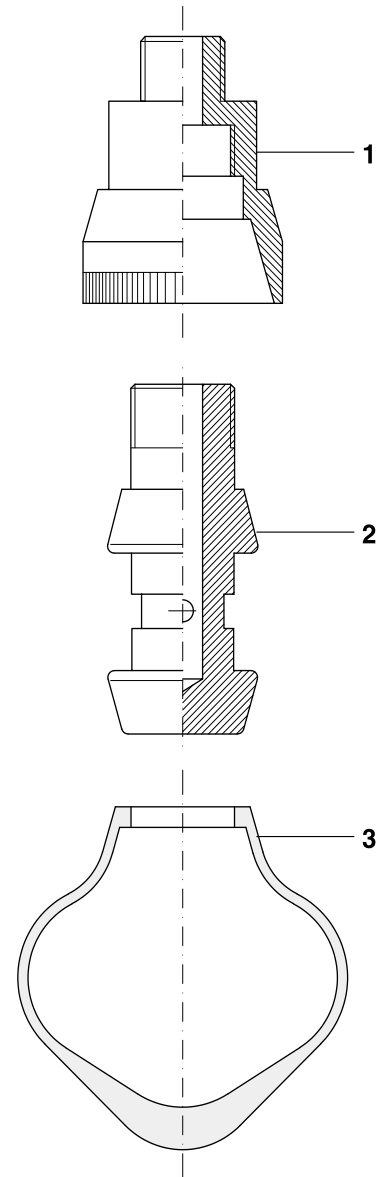
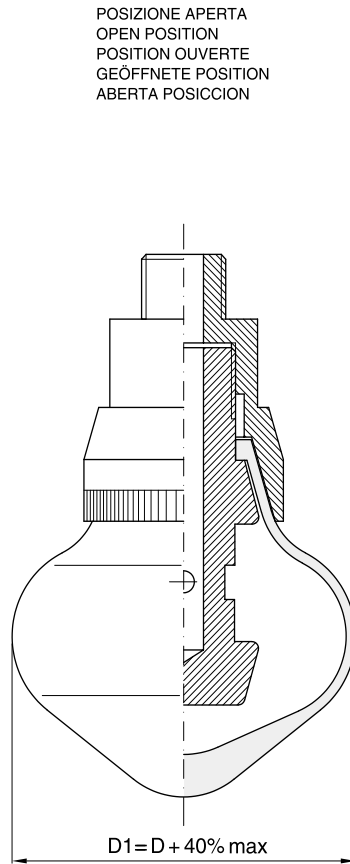
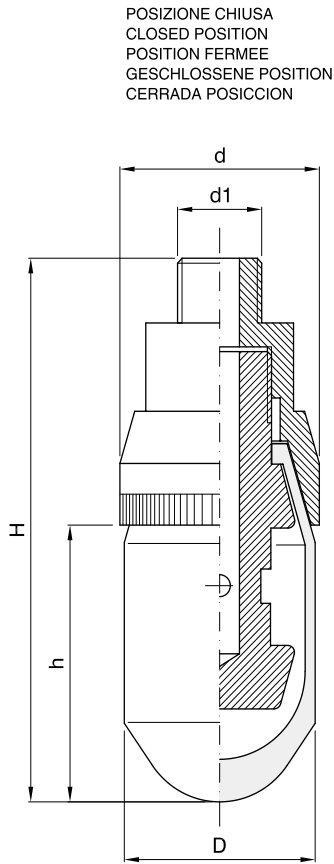
FOLDING SUCKERS WITH BEARING ROD
BALGENSAUGER MIT HALTER

VENTOUSE A SOUFFLETS AVEC SUPPORT
VENTOSAS DE FUELLE CON SOPORTE

cod. 014.0016 ø 50



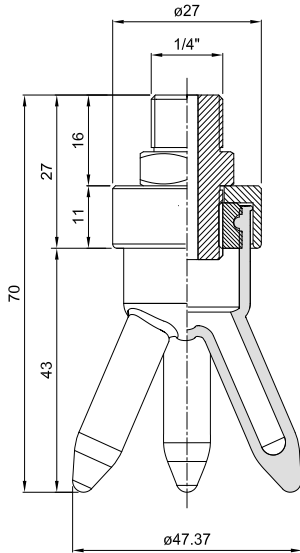
	COD.	MATERIALE	MATERIAL	MATERIEL	WERKSTOFF	MATERIAL
1	024.0001	OTTONE	BRASS	LAITON	MESSING	LATON
2	025.0001	PA	PA	PA	PA	PA
3	026.0001	PA	PA	PA	PA	PA
4	026.0011	PA	PA	PA	PA	PA
5	057.0033	GOMMA	RUBBER	CAOUTCHOUC	GUMMI	GOMA
6	029.0001	AISI	STAINLESS STEEL	ACIER INOXYDABLE	ROSTFREIER STAHL	ACERO INOXIDABLE
7	028.0005	AL	AL	AL	AL	AL
8	027.0050	PA	PA	PA	PA	PA
9	014.0007	GOMMA NAT. / SILICONE	NAT. RUBBER/ SILICON	CAOUTCHOUC NAT. SILICONE	NATURGUMMI / SILIKON	NAT. GOMA/ SILICONA



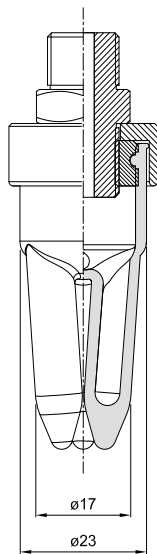
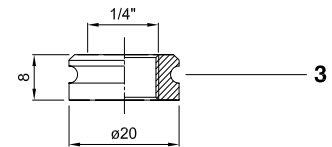
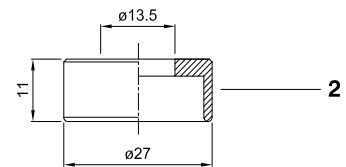
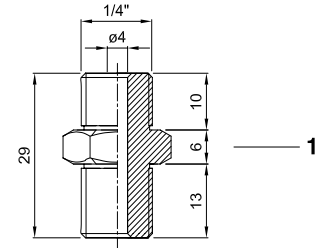
COD.	D	D1= D + 40% max	d	d 1	H	h
051.0009	17	25	18.5	M 10	102	51
051.0005	20	28	18.5	M 10	101	50
051.0008	27	40	27	M 12	119	63
051.0007	37	50	39	M 16	120	60
051.0006	47	65	49	M 20	124	61

COD.		COD.	MATERIALE	MATERIAL	MATERIEL	WERKSTOFF	MATERIAL
051.0006	1	030.0016	PA	PA	PA	PA	PA
	2	030.0017	PA	PA	PA	PA	PA
	3	040.0112	GOMMA	RUBBER	CAOUTCHOUC	GUMMI	GOMA
051.0007	1	030.0014	PA	PA	PA	PA	PA
	2	030.0015	PA	PA	PA	PA	PA
	3	040.0113	GOMMA	RUBBER	CAOUTCHOUC	GUMMI	GOMA
051.0008	1	030.0012	PA	PA	PA	PA	PA
	2	030.0013	PA	PA	PA	PA	PA
	3	040.0111	GOMMA	RUBBER	CAOUTCHOUC	GUMMI	GOMA
051.0005	1	030.0026	AL	AL	AL	AL	AL
	2	030.0027	AL	AL	AL	AL	AL
	3	040.0156	GOMMA	RUBBER	CAOUTCHOUC	GUMMI	GOMA
051.0009	1	030.0026	AL	AL	AL	AL	AL
	2	030.0027	AL	AL	AL	AL	AL
	3	040.0126	GOMMA	RUBBER	CAOUTCHOUC	GUMMI	GOMA

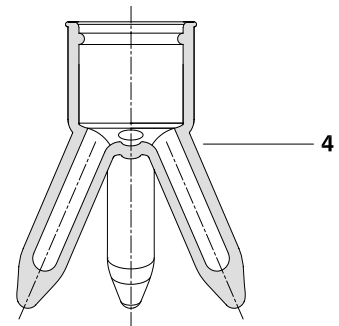
cod. 051.0002 $\varnothing 17 \div 47$



POSIZIONE APERTA
OPEN POSITION
POSITION OUVERTE
GEÖFFNETE POSITION
ABERTA POSICION



POSIZIONE CHIUSA
CLOSED POSITION
POSITION FERMEE
GESCHLOSSENE POSITION
CERRADA POSICION



	COD.	MATERIALE	MATERIAL	MATERIEL	WERKSTOFF	MATERIAL
1	023.0200	OTTONE	BRASS	LAITON	MESSING	LATON
2	027.0097	PA	PA	PA	PA	PA
3	027.0098	PA	PA	PA	PA	PA
4	040.0166	GOMMA	RUBBER	CAOUTCHOUC	GUMMI	GOMA

DIN GASKETS



Linee guida per la scelta dei materiali per guarnizioni "DN"
Guidelines for selecting materials for gaskets "DN"

Sigla - Symbol		Materiali <i>Materials</i>	Gruppo Chimico <i>Chemical Group</i>	Temperature di Utilizzo <i>Working Temperatures</i>	Generalmente Resiste a: <i>Generally Resistant To:</i>	Generalmente Viene Attaccato da: <i>Generally Attacked By:</i>
ASTM D-1418-79	ISO 1629-1976 (E)					
NBR	NBR	Nitrile	Butadiene-Acrylonitrile-Copolymer (Nitrile-Buna-Perbunam)	- 20° + 120° C - 68° + 248° F	Molti Idrocarburi, Grassi, Olii, Sostanze Oleose, Fluidi Idraulici e Chimici <i>Many Hydrocarbons, Fats, Oils, Oily Substances, Hydraulic Fluids and Liquid</i>	Ozono, Chetoni, Esteri, Aldeidi, Idrocarburi Nitrati, Cloruri <i>Ozone, Ketones, Esters, Aldehydes, Hydrocarbons, Nitrates and Chlorides</i>
H-NBR	H-NBR	Nitrile Hydrogenated	Butadiene-Acrylonitrile-Copolymer (Nitrile-Buna-Perbunam)	- 20° + 150° C - 68° + 302° F	Molti Idrocarburi, Grassi, Olii, Sostanze Oleose, Fluidi Idraulici e Chimici <i>Many Hydrocarbons, Fats, Oils, Oily Substances, Hydraulic Fluids and Liquid</i>	Ozono, Chetoni, Esteri, Aldeidi, Idrocarburi Nitrati, Cloruri <i>Ozone, Ketones, Esters, Aldehydes, Hydrocarbons, Nitrates and Chlorides</i>
EPDM	EPDM	Ethylene Propylene	Ethylene-Propylene Copolymer and Terpolymer	- 40° + 150° C - 104° + 302° F	Acqua, Vapore e Fluidi per Freni <i>Water, Steam and Brake Fluids</i>	Olii Minerali e Solventi, Idrocarburi Aromatici <i>Minerals Oils and Solvents, Aromatic Hydrocarbons</i>
VMQ	MVQ	Silicone	Silicone-Organic Polymer	- 50° + 200° C - 122° + 392° F	Sostanze Ossidanti, Ozono, Idrossido di Sodio Concentrato <i>Oxidizing Substances, Ozone, Concentrated Sodium Hydroxide</i>	Solventi Vari, Olii, Acidi Concentrati, Idrossido di Sodio Diluito <i>Various Solvents, Oils, Concentrated Acids, Diluted Sodium Hydroxide</i>
FKM	FPM	Fluorocarbon	Standard-Fluorocarbon Dipolymer 66% Fluoro	- 20° + 220° C - 68° + 428° F	Ogni Prodotto Alifatico, Idrocarburi Aromatici, Acidi, Olii Vegetali ed Animali <i>Any Aliphatic Product, Aromatic Hydrocarbons, Acids, Vegetable and Animal Oils</i>	Chetoni, Esteri a Basso Peso Molecolare e Mescole Contendenti Nitro <i>Ketones, Esters with Low Molecular Weight and Compounds Containing Nitric</i>
PTFE	PTFE	Politetrafluoroethylene		- 20° + 280° C - 68° + 536° F	Praticamente Inerte a tutti i Reagenti Chimici <i>Practically Inert Against All Chemical Reagents</i>	Metalli Alcalini allo Stato Elementare, Trifluoruro di Cloro e Fluoro Elementare ad Alta Temperatura e Pressione <i>Alkali Metals to the Primary State, the Chlorine Trifluoride and Elementary Fluoro at High Temperature and Pressure</i>

Note: I dati sono stati ricavati da test di laboratorio e da fonti industriali. Essi vengono forniti unicamente come indicazioni generali e non devono essere la base per effettuare decisioni progettuali.

Note: These data have been obtained from laboratory tests and industrial sources. They are given to the customers just as general directions and they can't be the foundation of planning decisions.

Joints Gaskets: E DIN 11851:2013-02 Tab.5 and SMS

E DIN 11851:2013-02		SMS	Article Code Orobica P.G.	d12	p	d11	S	S1	r3
(1.0)	(1.1)	(1.0)							
	10		056.7010	10,50±0,20	4,75±0,10	12,00±0,20	5,00±0,20	1,50	2,00±0,10
10			056.0010	12,00±0,20	4,00±0,10		4,50±0,20		2,00±0,10
	15		056.7015	16,50±0,20	4,75±0,10	18,00±0,20	5,00±0,20	1,50	2,00±0,10
15			056.0015	18,00±0,25	4,00±0,10		4,50±0,20		2,00±0,10
	20		056.7020	20,50±0,25	6,25±0,15	23,00±0,25	5,00±0,20	1,50	2,50±0,15
20			056.0020	23,00±0,25	5,00±0,15		4,50±0,20		2,50±0,15
		25	056.2500	25,00±0,25	3,50±0,10		5,50±0,20		1,75±0,10
	25		056.7025	26,50±0,25	3,75±0,15	30,00±0,25	6,00±0,20	2,00	2,50±0,15
25			056.0025	30,00±0,35	5,00±0,15		5,00±0,20		2,50±0,15
25			056.00251	30,00±0,35	5,00±0,15		8,00±0,20		2,50±0,15
	32		056.7032	32,50±0,35	6,75±0,15	36,00±0,35	6,00±0,20	2,00	2,50±0,15
32			056.0032	36,00±0,35	5,00±0,15		5,00±0,20		2,50±0,15
32			056.00321	36,00±0,35	5,00±0,15		8,00±0,20		2,50±0,15
		38	056.2510	38,00±0,35	5,00±0,15		5,50±0,20		2,50±0,15
	40		056.7040	38,50±0,35	6,75±0,15	42,00±0,35	6,00±0,20	2,00	2,50±0,15
40			056.0040	42,00±0,40	5,00±0,15		5,00±0,20		2,50±0,15
40			056.00401	42,00±0,40	5,00±0,15		8,00±0,20		2,50±0,15
		51	056.2520	51,00±0,40	5,00±0,15		5,50±0,20		2,50±0,15
	50		056.7050	50,50±0,40	6,75±0,15	54,00±0,40	6,00±0,20	2,00	2,50±0,15
50			056.0050	54,00±0,40	5,00±0,15		5,00±0,20		2,50±0,15
50			056.00501	54,00±0,40	5,00±0,15		8,00±0,20		2,50±0,15
60			056.0060	62,00±0,40	5,00±0,15		5,00±0,20		2,50±0,15
		63	056.2530	63,00±0,40	5,25±0,15		5,50±0,20		2,50±0,15
	65		056.7065	66,50±0,40	7,25±0,15	71,00±0,40	6,00±0,20	2,00	2,50±0,15
65			056.0065	71,00±0,50	5,00±0,15		5,00±0,20		2,50±0,15
65			056.00651	71,00±0,50	5,00±0,15		6,50±0,20		2,50±0,15
65			056.00652	71,00±0,50	5,00±0,15		8,00±0,20		2,50±0,15
		76	056.2540	76,00±0,50	5,00±0,15		5,50±0,20		2,50±0,15
75			056.0075	78,00±0,50	5,00±0,15		5,00±0,20		2,50±0,15
	80		056.7080	81,50±0,50	6,75±0,15	85,00±0,50	6,00±0,20	2,00	2,50±0,15
80			056.0080	85,00±0,50	5,00±0,15		5,00±0,20		2,50±0,15
80			056.00801	85,00±0,50	5,00±0,15		6,50±0,20		2,50±0,15
80			056.00802	85,00±0,50	5,00±0,15		8,00±0,20		2,50±0,15
90			056.0090	94,00±0,50	5,00±0,15		5,00±0,20		2,50±0,15
	100		056.7100	100,50±0,70	6,75±0,15	104,00±0,70	6,00±0,20	2,00	2,50±0,15
100			056.0100	104,00±0,70	5,00±0,15		6,00±0,20		2,50±0,15
100			056.01001	104,00±0,70	5,00±0,15		8,00±0,20		2,50±0,15
		104	056.2550	104,00±0,70	6,00±0,15		6,00±0,20		3,00±0,15
	125		056.7125	125,00±0,70	8,50±0,15	130,00±0,70	7,00±0,20	2,00	3,00±0,15
125			056.0125	130,00±0,70	6,00±0,15		7,00±0,20		3,00±0,15
	150		056.7150	150,00±0,70	8,50±0,15	155,00±0,70	7,00±0,20	2,00	3,00±0,15
150			056.0150	155,00±0,70	6,00±0,15		7,00±0,20		3,00±0,15

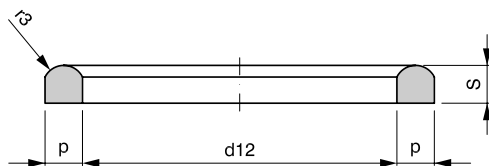


Figure (1.0)

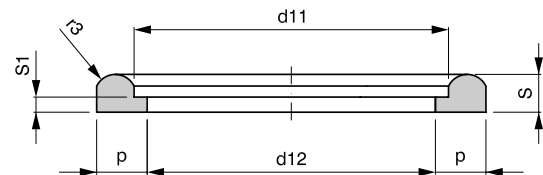
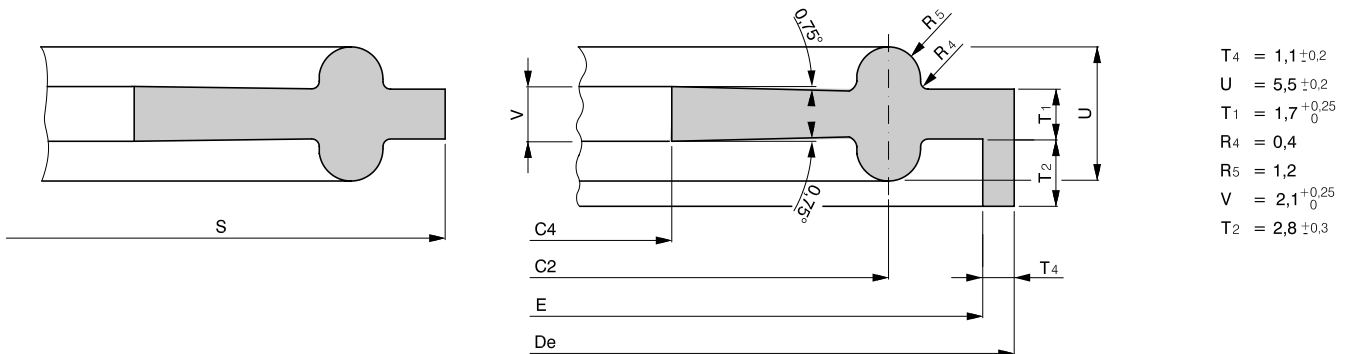


Figure (1.1)

Gaskets for CLAMP: ISO 2852:1993 (E) Tab. 3

DN		Article Code Orobica P.G.	C2		C4		E		S		De	
Inch	mm		Inch +0/-0,02	mm +0/-0,5	Inch +0,02/-0	mm +0,5/-0	Inch +0/-0,02	mm +0/-0,5	Inch ±0,02	mm ±0,5	Inch ±0,02	mm ±0,5
1/4"	12,00	056.1500	1,083	27,50	0,402	10,20			1,339	34,00		
1/2"	12,70	056.1503	1,083	27,50	0,429	10,90			1,339	34,00		
3/4"	17,20	056.1506	1,083	27,50	0,606	15,40			1,339	34,00		
3/8"	21,30	056.1510	1,083	27,50	0,768	19,50			1,339	34,00		
1"	25,00	056.8200	1,713	43,50	0,898	22,80	1,988	50,50			2,075	52,70
		056.1520	1,713	43,50	0,898	22,80			1,988	50,50		
1" 1/8	33,70	056.8212	1,713	43,50	1,240	31,50	1,988	50,50			2,075	52,70
		056.1521	1,713	43,50	1,240	31,50			1,988	50,50		
1" 1/2	38,10	056.8210	1,713	43,50	1,409	35,80	1,988	50,50			2,075	52,70
		056.1530	1,713	43,50	1,409	35,80			1,988	50,50		
1" 3/4	40,00	056.8215	2,224	56,50	1,488	37,80	2,520	64,00			2,606	66,20
		056.1522	2,224	56,50	1,488	37,80			2,520	64,00		
2"	51,00	056.8220	2,224	56,50	1,921	48,80	2,520	64,00			2,606	66,20
		056.1540	2,224	56,50	1,921	48,80			2,520	64,00		
2" 1/2	63,50	056.8230	2,776	70,50	2,382	60,50	3,051	77,50			3,138	79,70
		056.1550	2,776	70,50	2,382	60,50			3,051	77,50		
2" 3/4	70,00	056.8235	3,287	83,50	2,638	67,00	3,583	91,00			3,669	93,20
		056.1555	3,287	83,50	2,638	67,00			3,583	91,00		
3"	76,10	056.8240	3,287	83,50	2,878	73,10	3,583	91,00			3,669	93,20
		056.1560	3,287	83,50	2,878	73,10			3,583	91,00		
3" 1/2	88,90	056.8245	3,819	97,00	3,350	85,10	4,173	106,00			4,260	108,20
		056.1565	3,819	97,00	3,350	85,10			4,173	106,00		
4"	101,60	056.8250	4,331	110,00	3,850	97,80	4,685	119,00			4,772	121,20
		056.1570	4,331	110,00	3,850	97,80			4,685	119,00		
4" 1/2	114,30	056.8252	3,803	122,00	4,350	110,50	5,118	130,00			5,205	132,20
		056.1575	3,803	122,00	4,350	110,50			5,118	130,00		
5" 1/2	139,70	056.8255	5,748	146,00	5,350	135,90	6,102	155,00			6,189	157,20
		056.1580	5,748	146,00	5,350	135,90			6,102	155,00		
6"	168,30	056.8260	6,850	174,00	6,429	163,30	7,205	183,00			7,291	185,20
		056.1585	6,850	174,00	6,429	163,30			7,205	183,00		
8"	219,10	056.8265	8,858	225,00	8,429	214,10	9,193	233,50			9,280	235,70
		056.1588	8,858	225,00	8,429	214,10			9,193	233,50		

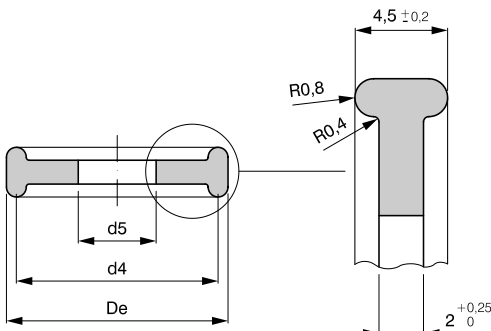


Gaskets for CLAMP: E DIN 32676:2009-05 Tab.2-3-4 Type "A-B-C"

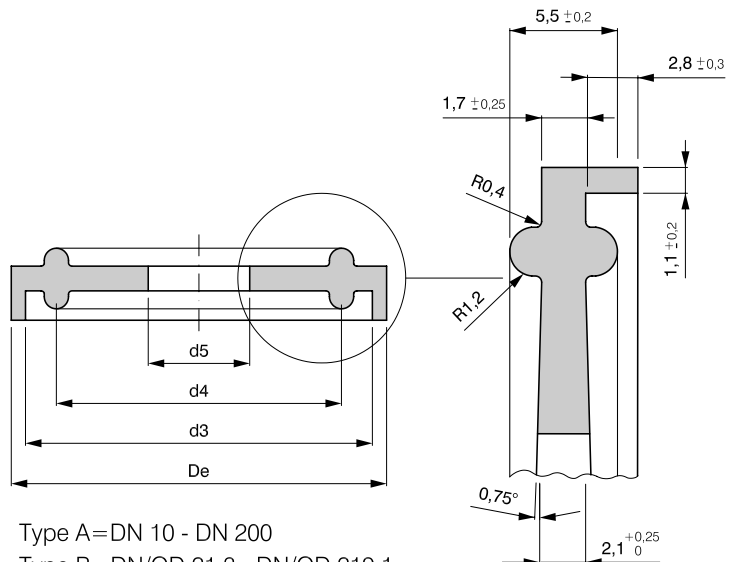
E DIN 32676:2009-05				Article Code Orobica P.G.	d3	d4	d5	De
"A"	"B"	"C"						
DN	DN/OD	DN/OD						
		Inch	mm					
		1/4"	6,35	056.1600		20,20 +0/-0,13	≥4,80	21,80 +0,2/-0
6				056.1006		20,20 +0/-0,13	≥6,20	21,80 +0,2/-0
	10,2			056.1700		20,20 +0/-0,13	≥7,20	21,80 +0,2/-0
8		3/8"	9,53	056.1610		20,20 +0/-0,13	≥8,00	21,80 +0,2/-0
				056.1008		20,20 +0/-0,13	≥8,20	21,80 +0,2/-0
		1/2"	12,70	056.1612		20,20 +0/-0,13	≥9,60	21,80 +0,2/-0
	13,5			056.1705		20,20 +0/-0,13	≥10,50	21,80 +0,2/-0
	17,2			056.1706		20,20 +0/-0,13	≥14,20	21,80 +0,2/-0
		3/4"	19,05	056.1615		20,20 +0/-0,13	≥16,00	21,80 +0,2/-0
10				056.1010	34,00 +0/-0,16	27,50 +0/-0,13	≥10,20	
				056.8010	34,00 +0/-0,16	27,50 +0/-0,13	≥10,20	36,20 +0/-0,16
15				056.1015	34,00 +0/-0,16	27,50 +0/-0,13	≥16,20	
				056.8015	34,00 +0/-0,16	27,50 +0/-0,13	≥16,20	36,20 +0/-0,16
20				056.1020	34,00 +0/-0,16	27,50 +0/-0,13	≥20,20	
				056.8020	34,00 +0/-0,16	27,50 +0/-0,13	≥20,20	36,20 +0/-0,16
	21,3			056.1710	50,50 +0/-0,19	43,50 +0/-0,16	≥18,30	
				056.1711	50,50 +0/-0,19	43,50 +0/-0,16	≥18,30	52,70 +0/-0,19
		1"	25,40	056.1617	50,50 +0/-0,19	43,50 +0/-0,16	≥22,30	
				056.1618	50,50 +0/-0,19	43,50 +0/-0,16	≥22,30	52,70 +0/-0,19
	26,9			056.1715	50,50 +0/-0,19	43,50 +0/-0,16	≥23,90	
				056.1716	50,50 +0/-0,19	43,50 +0/-0,16	≥23,90	52,70 +0/-0,19
25				056.1025	50,50 +0/-0,19	43,50 +0/-0,16	≥26,20	
				056.8025	50,50 +0/-0,19	43,50 +0/-0,16	≥26,20	52,70 +0/-0,19
	33,7			056.1720	50,50 +0/-0,19	43,50 +0/-0,16	≥29,90	
				056.1721	50,50 +0/-0,19	43,50 +0/-0,16	≥29,90	52,70 +0/-0,19
32				056.1032	50,50 +0/-0,19	43,50 +0/-0,16	≥32,20	
				056.8032	50,50 +0/-0,19	43,50 +0/-0,16	≥32,20	52,70 +0/-0,19
		1"1/2	38,10	056.1623	50,50 +0/-0,19	43,50 +0/-0,16	≥35,00	
				056.1624	50,50 +0/-0,19	43,50 +0/-0,16	≥35,00	52,70 +0/-0,19
40				056.1040	50,50 +0/-0,19	43,50 +0/-0,16	≥38,20	
				056.8040	50,50 +0/-0,19	43,50 +0/-0,16	≥38,20	52,70 +0/-0,19
	42,4			056.1725	64,00 +0/-0,19	56,50 +0/-0,19	≥38,60	
				056.1726	64,00 +0/-0,19	56,50 +0/-0,19	≥38,60	66,20 +0/-0,19
	48,3			056.1730	64,00 +0/-0,19	56,50 +0/-0,19	≥44,50	
				056.1731	64,00 +0/-0,19	56,50 +0/-0,19	≥44,50	66,20 +0/-0,19
50		2"	50,80	056.1626	64,00 +0/-0,19	56,50 +0/-0,19	≥47,70	
				056.1627	64,00 +0/-0,19	56,50 +0/-0,19	≥47,70	66,20 +0/-0,19
				056.1050	64,00 +0/-0,19	56,50 +0/-0,19	≥50,20	
				056.8050	64,00 +0/-0,19	56,50 +0/-0,19	≥50,20	66,20 +0/-0,19
	60,3			056.1735	77,50 +0/-0,19	70,50 +0/-0,19	≥56,50	
				056.1736	77,50 +0/-0,19	70,50 +0/-0,19	≥56,50	79,70 +0/-0,19
		2"1/2	63,50	056.1628	77,50 +0/-0,19	70,50 +0/-0,19	≥60,40	
				056.1629	77,50 +0/-0,19	70,50 +0/-0,19	≥60,40	79,70 +0/-0,19

Gaskets for CLAMP: E DIN 32676:2009-05 Tab.2-3-4 Type "A-B-C"

E DIN 32676:2009-05				Article Code Orobica P.G.	d3	d4	d5	De
"A"	"B"	"C"						
DN	DN/OD	DN/OD						
		Inch	mm					
65				056.1065	91,00 +0/-0,22	83,50 +0/-0,22	≥66,20	
				056.8065	91,00 +0/-0,22	83,50 +0/-0,22	≥66,20	93,20 +0/-0,22
	76,1			056.1740	91,00 +0/-0,22	83,50 +0/-0,22	≥72,30	
				056.1741	91,00 +0/-0,22	83,50 +0/-0,22	≥72,30	93,20 +0/-0,22
		3"	76,20	056.1633	91,00 +0/-0,22	83,50 +0/-0,22	≥73,10	
				056.1634	91,00 +0/-0,22	83,50 +0/-0,22	≥73,10	93,20 +0/-0,22
80				056.1080	106,00 +0/-0,22	97,00 +0/-0,22	≥81,20	
				056.8080	106,00 +0/-0,22	97,00 +0/-0,22	≥81,20	108,20 +0/-0,22
	88,9			056.1745	106,00 +0/-0,22	97,00 +0/-0,22	≥84,50	
				056.1746	106,00 +0/-0,22	97,00 +0/-0,22	≥84,50	108,20 +0/-0,22
		4"	101,60	056.1635	119,00 +0/-0,22	110,00 +0/-0,22	≥97,60	
				056.1636	119,00 +0/-0,22	110,00 +0/-0,22	≥97,60	121,20 +0/-0,22
100				056.1100	119,00 +0/-0,22	110,00 +0/-0,22	≥100,20	
				056.8100	119,00 +0/-0,22	110,00 +0/-0,22	≥100,20	121,20 +0/-0,22
	114,3			056.1750	130,00 +0/-0,25	122,00 +0/-0,25	≥109,90	
				056.1751	130,00 +0/-0,25	122,00 +0/-0,25	≥109,90	132,20 +0/-0,25
125				056.1125	155,00 +0/-0,25	146,00 +0/-0,25	≥125,20	
				056.8125	155,00 +0/-0,25	146,00 +0/-0,25	≥125,20	157,20 +0/-0,25
	139,7			056.1755	155,00 +0/-0,25	146,00 +0/-0,25	≥134,70	
				056.1756	155,00 +0/-0,25	146,00 +0/-0,25	≥134,70	157,20 +0/-0,25
		6"	152,40	056.1638	167,00 +0/-0,29	156,50 +0/-0,25	≥147,10	
				056.1639	167,00 +0/-0,29	156,50 +0/-0,25	≥147,10	169,20 +0/-0,29
150				056.1150	183,00 +0/-0,29	174,00 +0/-0,25	≥150,20	
				056.8150	183,00 +0/-0,29	174,00 +0/-0,25	≥150,20	185,20 +0/-0,29
	168,3			056.1760	183,00 +0/-0,29	174,00 +0/-0,25	≥163,30	
				056.1761	183,00 +0/-0,29	174,00 +0/-0,25	≥163,30	185,20 +0/-0,29
200				056.1200	233,50 +0/-0,29	225,00 +0/-0,29	≥200,20	
				056.8155	233,50 +0/-0,29	225,00 +0/-0,29	≥200,20	235,70 +0/-0,29
	219,1			056.1765	233,50 +0/-0,29	225,00 +0/-0,29	≥214,10	
				056.1766	233,50 +0/-0,29	225,00 +0/-0,29	≥214,10	235,70 +0/-0,29



Type A=DN 6 - DN 8
 Type B=DN/OD 10,2 - DN/OD 17,2
 Type C=DN/OD 1/4" - DN/OD 3/4"



Type A=DN 10 - DN 200
 Type B=DN/OD 21,3 - DN/OD 219,1
 Type C=DN/OD 1" - DN/OD 6"

Specole Gaskets: "E DIN" and "SMS"

DN			Article Code Orobica P.G.	D +0/-0,2	d +0,2/-0	d1 +0,2/-0	S1	S2	S +0,2/-0
E DIN	SMS								
(1.3)	(1.2)	(1.3)							
		25	056.2200	32,0	22,5	25,0	2,0	3,5	5,5
	25		056.2025	32,0	25,0				5,5
25			056.4025	37,0	28,0	32,0	4,0	2,0	6,0
	32		056.2032	40,0	32,0				5,5
32			056.4032	45,0	36,0	40,0	4,0	2,0	6,0
		38	056.2210	48,0	35,5	38,0	2,0	3,5	5,5
	40		056.2040	48,0	38,0				5,5
40			056.4040	57,0	45,0	50,0	4,0	2,0	6,0
		51	056.2220	61,0	48,5	51,0	2,0	3,5	5,5
	50		056.2050	61,0	51,0				5,5
50			056.4050	68,0	56,0	60,0	4,0	2,0	6,0
		63	056.2230	73,5	60,5	63,5	2,0	3,5	5,5
	65		056.2065	73,5	63,5				5,5
65			056.4065	81,0	67,0	75,0	4,0	2,0	6,0
		76	056.2240	86,0	72,9	76,0	2,0	3,5	5,5
	80		056.2080	86,0	76,0				5,5
80			056.4080	96,0	83,0	90,0	4,0	2,0	6,0
	100		056.2100	113,5	101,6				5,5
100			056.4100	114,0	98,0	111,0	4,0	2,0	6,0
		104	056.2250	116,0	100,0	104,0	2,0	3,5	5,5
125			056.4125	148,0	126,0	140,0	4,0	2,0	6,0

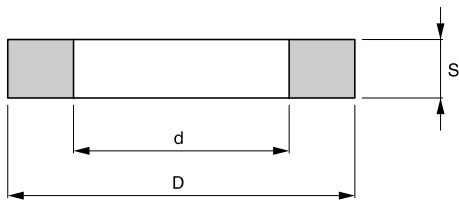


Figure (1.2)

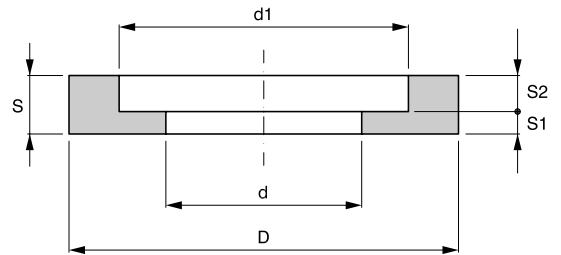
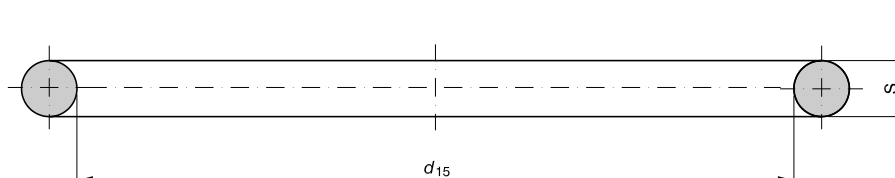


Figure (1.3)

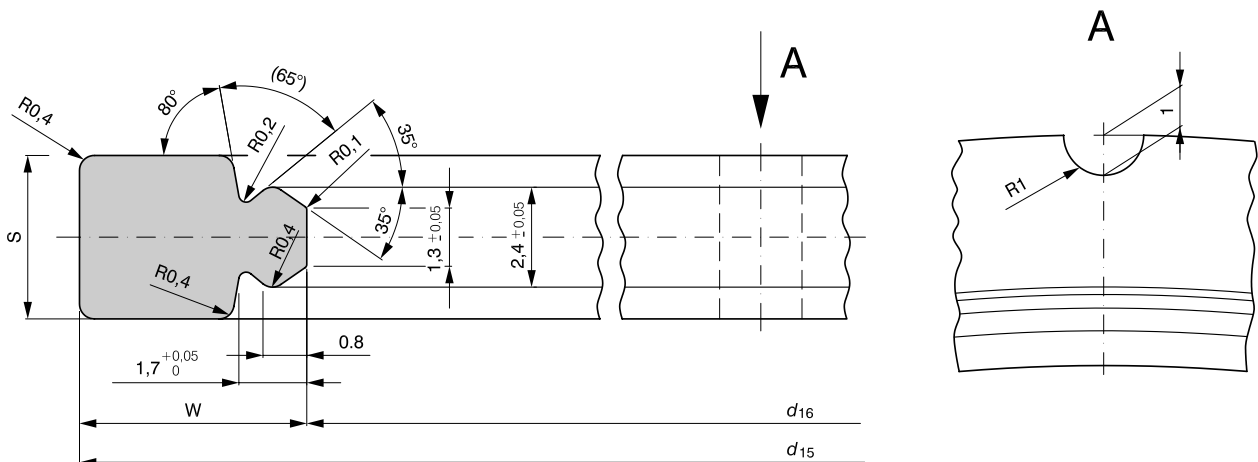
Joints Gaskets: DIN 11864-1-2-3:2008-11 Tab.7-8-9 Type: A-B-C and "BRITISH STANDARDS"

DIN 11864-1-2-3:2008-11				BRITISH STANDARDS		Article Code Orobica P.G.	d15		S	
"A"	"B"	"C"		DN			Inch	mm	Inch	mm
DN	DN/OD	DN/OD		Inch	mm					
10	13,5	1/2"	12,70			056.3200		12,00 ±0,19		3,50 ±0,10
	17,2							16,00 ±0,20		3,50 ±0,10
15		3/4"	19,05			056.3201		18,00 ±0,21		3,50 ±0,10
	21,3							20,00 ±0,22		3,50 ±0,10
20		1"	25,40			056.3202		22,00 ±0,24		3,50 ±0,10
	26,9							24,00 ±0,25		3,50 ±0,10
				1"	25,40	056.3010	1,070 ±0,010	27,10 ±0,25	0,248 ±0,006	6,30 ±0,15
	25							28,00 ±0,28	3,50 ±0,10	
	33,7							32,00 ±0,32		5,00 ±0,13
	32							34,00 ±0,33		5,00 ±0,13
		1" 1/2	38,10			056.3204		37,00 ±0,36		5,00 ±0,13
								37,00 ±0,36		5,00 ±0,13
				1" 1/2	38,10	056.3020	1,562 ±0,015	39,70 ±0,37	0,248 ±0,006	6,30 ±0,15
	40							40,00 ±0,38	5,00 ±0,13	
	42,4							40,50 ±0,39		5,00 ±0,13
	48,3							46,50 ±0,44		5,00 ±0,13
		2"	50,80			056.3205		50,00 ±0,46		5,00 ±0,13
	50							52,00 ±0,48		5,00 ±0,13
				2"	50,80	056.3030	2,062 ±0,019	52,40 ±0,48	0,248 ±0,006	6,30 ±0,15
	60,3							58,50 ±0,54	5,00 ±0,13	
		2" 1/2	63,50			056.3206		62,00 ±0,56		5,00 ±0,13
								62,00 ±0,56		5,00 ±0,13
				2" 1/2	63,50	056.3040	2,562 ±0,022	65,10 ±0,56	0,248 ±0,006	6,30 ±0,15
	65							68,00 ±0,61	5,00 ±0,13	
	76,1							73,50 ±0,66		5,00 ±0,13
								75,00 ±0,66		5,00 ±0,13
		3"	76,20			056.3207		75,00 ±0,66		5,00 ±0,13
								75,00 ±0,66		5,00 ±0,13
				3"	76,20	056.3050	3,066 ±0,026	77,90 ±0,66	0,248 ±0,006	6,30 ±0,15
	80							83,00 ±0,73	5,00 ±0,13	
	88,9							86,50 ±0,75		5,00 ±0,13
								86,50 ±0,75		5,00 ±0,13
				3" 1/2	88,90	056.3060	3,625 ±0,029	92,10 ±0,75	0,248 ±0,006	6,30 ±0,15
								92,10 ±0,75	6,30 ±0,15	
		4"	101,60			056.3208		100,00 ±0,84		5,00 ±0,13
	100							102,00 ±0,87		5,00 ±0,13
				4"	101,60	056.3070	4,062 ±0,033	103,10 ±0,84	0,248 ±0,006	6,30 ±0,15
								103,10 ±0,84	6,30 ±0,15	
				4" 1/2	114,30	056.3080	4,562 ±0,035	116,00 ±0,88	0,248 ±0,006	6,30 ±0,15
	125							127,00 ±1,00	5,00 ±0,13	
150						056.3211		152,00 ±1,20		5,00 ±0,13



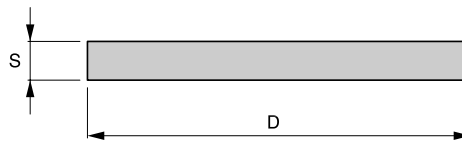
Aseptic Gaskets: DIN 11864-1-2-3:2008-11 Tab.10-11-12 Type "A-B-C"

DIN 11864-1-2-3:2008-11				Article Code Orobica P.G.	d15 ±0,3	d16	s +0/-0,2	w ±0,1
"A"	"B"	"C"						
DN	DN/OD	DN/OD						
		Inch	mm					
10	13,5	1/2"	12,70	056.3300	20,00	10,60	3,6	4,7
	17,2			056.3305	24,00	14,60		
15		3/4"	19,05	056.3310	26,00	16,60		
	21,3			056.3315	28,10	18,70		
20				056.3320	30,00	20,60		
		1"	25,40	056.3325	32,00	22,60	4,0	5,7
	26,9			056.3330	35,70	24,30		
25				056.3335	38,00	26,60		
	33,7			056.3340	41,70	30,30		
32				056.3345	44,00	32,60		
		1" 1/2	38,10	056.3350	46,80	35,40		
40	42,4			056.3355	50,00	38,60		
	48,3			056.3360	56,30	44,90		
		2"	58,80	056.3365	59,80	48,40		
50				056.3370	62,00	50,60		
	60,3			056.3375	68,30	56,90	5,7	
		2" 1/2	63,50	056.3380	72,30	60,90		
65				056.3385	78,00	66,60		
	76,1			056.3390	84,10	72,70		
		3"	76,20	056.3395	84,90	73,50		
80				056.3400	93,00	81,60	5,7	
	88,9			056.3405	96,30	84,90		
		4"	101,60	056.3410	109,60	98,20		
100				056.3415	112,00	100,60		



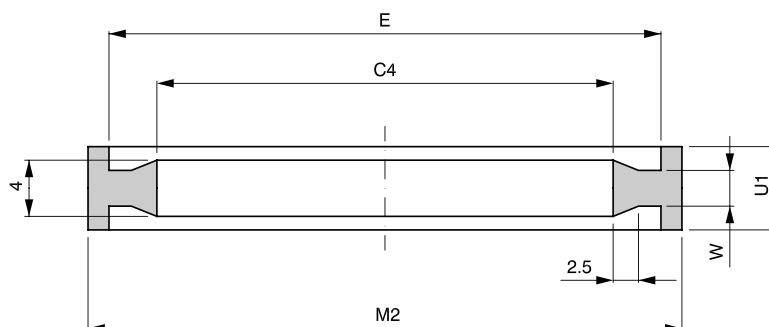
Swivel Joints "E DIN" and "SMS"

DN		Article Code Orobica P.G.	D +0/-0,2	S +0,2/-0
E DIN	SMS			
10		056.5010	28,0	3,0
15		056.5015	34,0	
	25	056.5225	40,0	
20		056.5020	44,0	
25		056.5025	52,0	
32		056.5032	58,0	
	38	056.5240	60,0	
40		056.5040	65,0	
	51	056.5250	70,0	
50		056.5050	78,0	
	63	056.5265	83,0	
60		056.5060	85,0	
65		056.5065	95,0	
	76	056.5280	98,0	
80		056.5080	110,0	
90		056.5090	120,0	
100		056.5100	130,0	
125		056.5125	160,0	
150		056.5150	190,0	

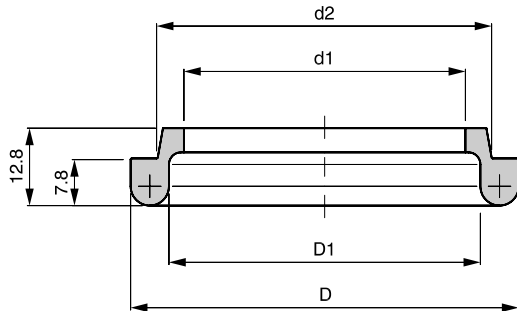


Joints Gaskets: BS 4825-4:1991+A1:2009 Table 7 (IDF Type)

DN		Article Code Orobica P.G.	Dimensions				
Inch	mm		M2 ±0,25	E +0/-0,5	C4 +0,5/-0	U1 ±0,1	W +0,1/-0
1"	25,40	056.5500	32,5	29,2	23,2	7,0	3,0
1" 1/4	31,80	056.5510	39,0	35,8	29,5	7,0	3,0
1" 1/2	38,10	056.5520	46,0	42,7	35,9	7,0	3,0
2"	50,80	056.5530	59,5	56,2	48,6	7,0	3,0
2" 1/2	63,50	056.5540	73,2	69,9	61,3	7,0	3,0
3"	76,20	056.5550	86,5	82,6	74,0	7,0	3,0
3" 1/2	88,90	056.5560	99,5	95,3	86,0	7,0	3,0
4"	101,6	056.5570	119,0	111,0	98,6	9,6	5,0

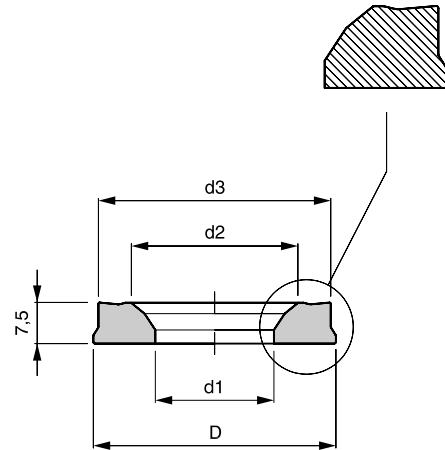


MATERIALE MATERIAL	NBR
--------------------	-----



COD.	DN	D1	D	d1	d2
056.8530	2"	52	64,8	47	55,8
056.8550	3"	78	90,5	72,5	81,5

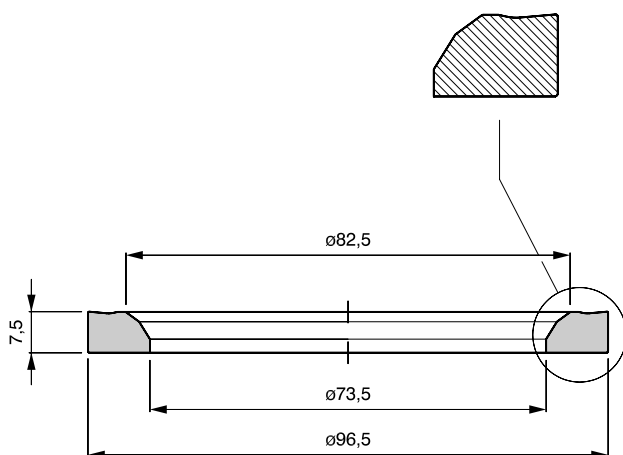
MATERIALE MATERIAL	EPDM
--------------------	------



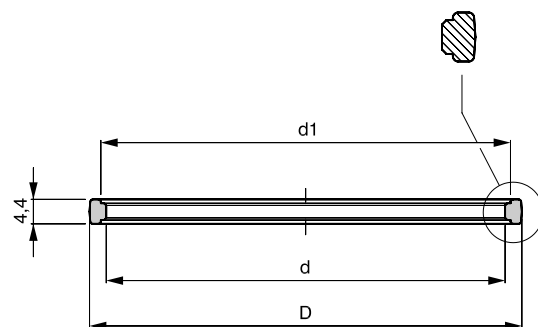
COD.	D	d1	d2	d3
056.90010	45	22	31	43,1
056.90020	58,5	35,5	44,5	56,6
056.90030	65,5	42,5	51,5	63,6
056.90040	69	46	55	67,1
056.90050	81	58	67	79,1
056.90055	88,5	65,5	74,5	86,6

056.90060

MATERIALE MATERIAL	EPDM
--------------------	------

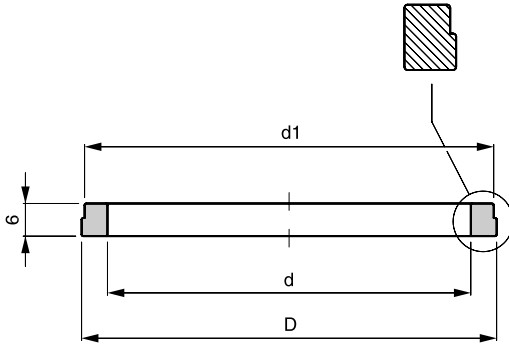


MATERIALE MATERIAL	EPDM	VMQ	FKM
--------------------	------	-----	-----



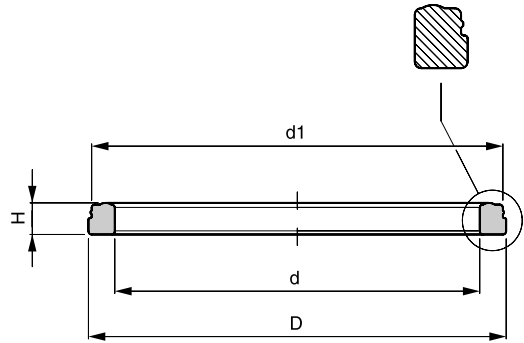
COD.	D	d	d1
056.90106	34,7	29,5	31,6
056.90102	44,8	38,5	40,5
056.90103	56,5	50,5	52,5
056.90107	60,5	55	56,5
056.90104	66,5	60,3	62,3
056.90101	72,7	66,7	68,7
056.90105	77	71	73
056.90100	80,2	74	76
056.90110	87,5	81,1	83,1
056.90117	93,6	87,3	88

MATERIALE MATERIAL	EPDM	VMQ	FKM
--------------------	------	-----	-----



COD.	D	d	d1
056.90114	31	21,4	30
056.90115	43,3	33,7	42,3
056.90113	54,7	45,1	53,6
056.90116	65,3	55,7	64,3
056.90112	71,4	61,8	70,3
056.90111	77	67,4	75,9
056.90118	84,5	75,80	83,5
056.90119	104,5	94,8	103,2

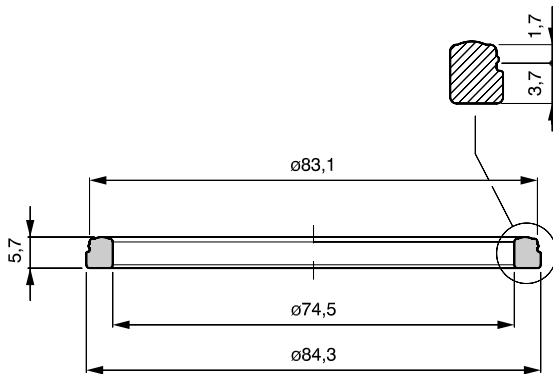
MATERIALE MATERIAL	EPDM
--------------------	------



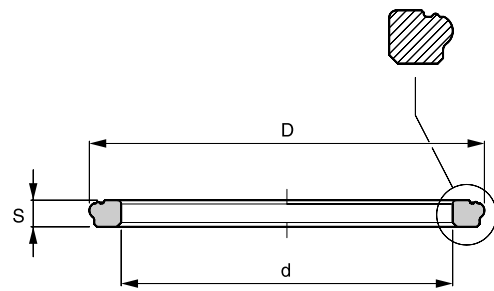
COD.	D	d	d1	H
056.90120	77,5	67,7	76,3	5,8
056.90121	62,4	53,15	60,9	6

056.90130

MATERIALE MATERIAL	EPDM
--------------------	------



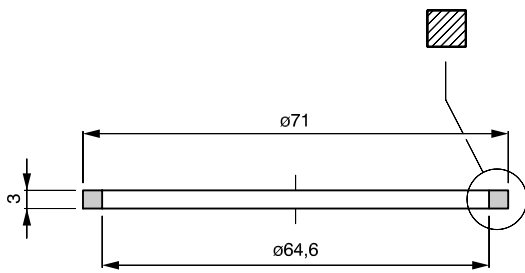
MATERIALE MATERIAL	EPDM
--------------------	------



COD.	D	d	S
056.90172	45,7	34	4,8
056.90173	58,1	46,1	4,9
056.90140	73,3	61,5	4,9
056.90150	80,3	68,3	4,8

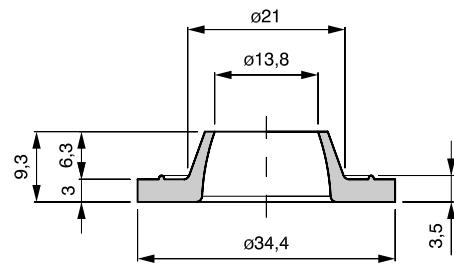
200.0068

MATERIALE MATERIAL	EPDM
-----------------------	------



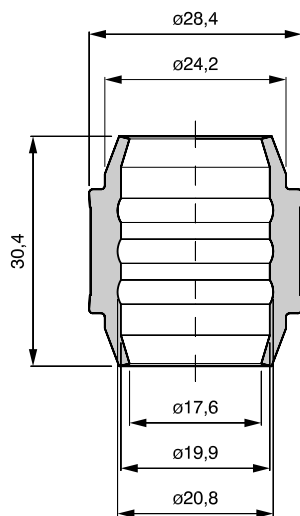
200.0069

MATERIALE MATERIAL	EPDM	FKM
-----------------------	------	-----



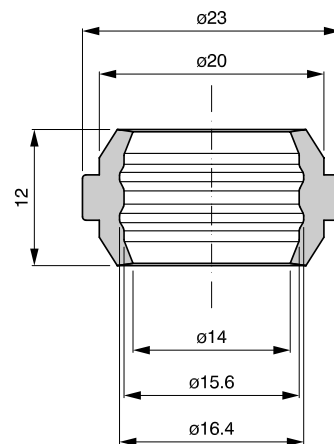
200.0084

MATERIALE MATERIAL	EPDM	VMQ
-----------------------	------	-----

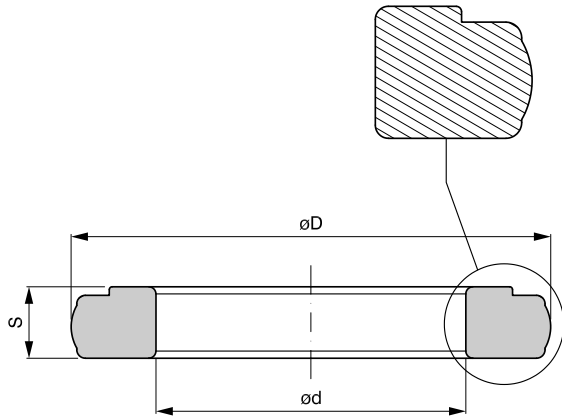


200.0206

MATERIALE MATERIAL	EPDM
-----------------------	------



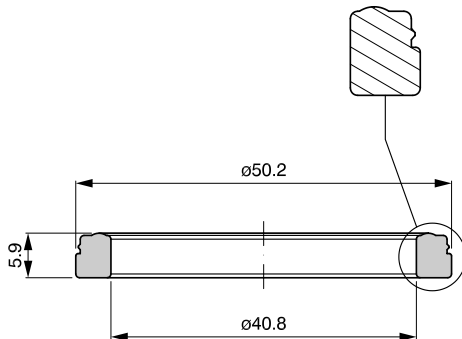
MATERIALE MATERIAL	EPDM
--------------------	------



COD.	D	d	S
056.90174	33,9	21,9	5
056.90175	45,8	34	4,9
056.90176	58	46,2	4,9
056.90177	73,3	61,7	4,9
056.90178	88,8	76,8	5
056.90179	79,5	67,7	4,9

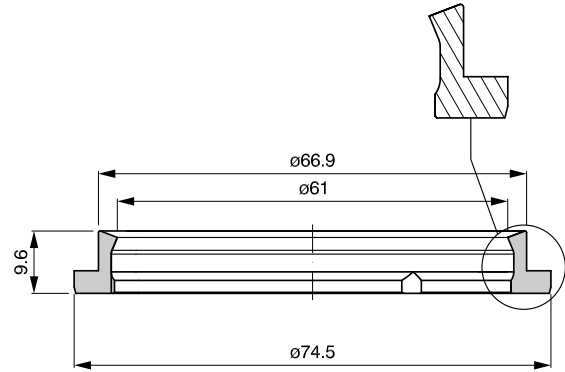
056.90171

MATERIALE MATERIAL	EPDM
--------------------	------

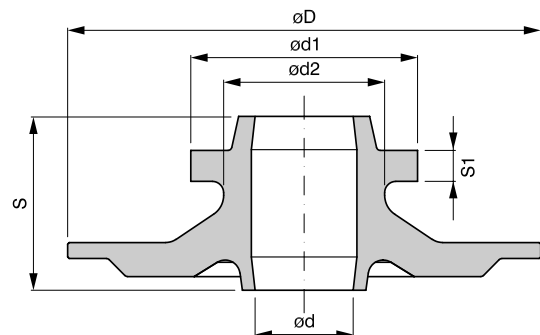


200.0207

MATERIALE MATERIAL	PTFE
--------------------	------



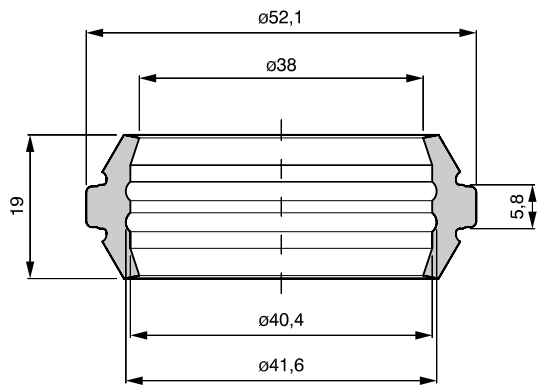
MATERIALE MATERIAL	EPDM
--------------------	------



COD.	D	D	d1	d2	S	S1
200.0208	63,2	13,1	30,3	21,5	23	4,1
200.0209	84,8	16,1	32,5	23,7	23	3,9
200.0210	102,2	16,1	33,1	23,7	23	4,4
200.0211	118,9	19,5	36,1	27,5	23	4
200.0212	156,2	19,5	36,3	27,7	24,3	3,9

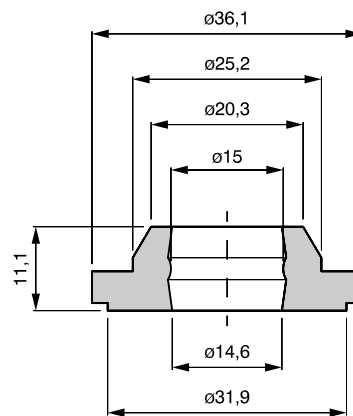
200.0088

MATERIALE MATERIAL	EPDM	VMQ
-----------------------	------	-----



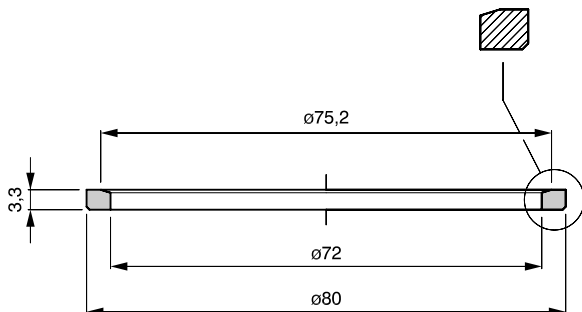
200.0095

MATERIALE MATERIAL	NBR
-----------------------	-----



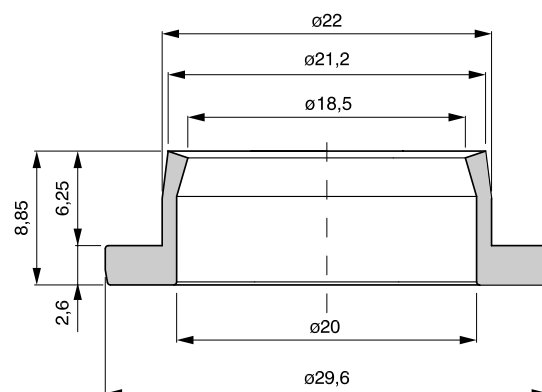
200.0096

MATERIALE MATERIAL	NBR
-----------------------	-----

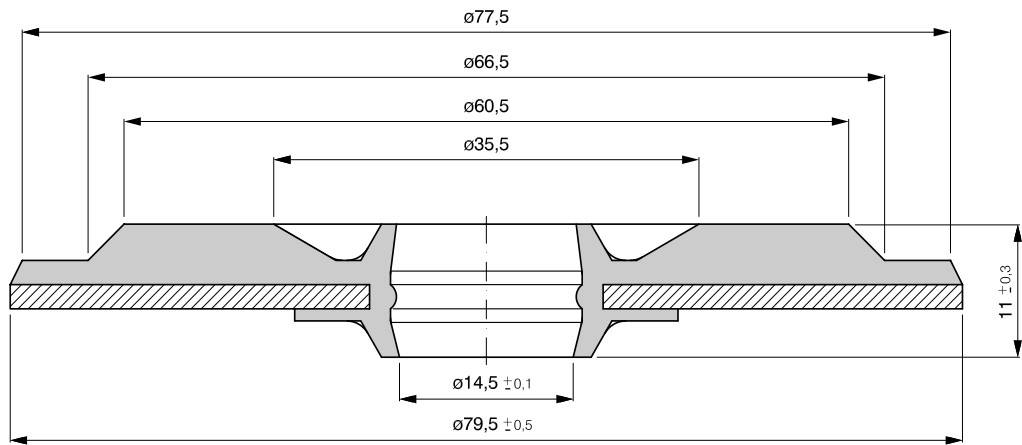


200.0196

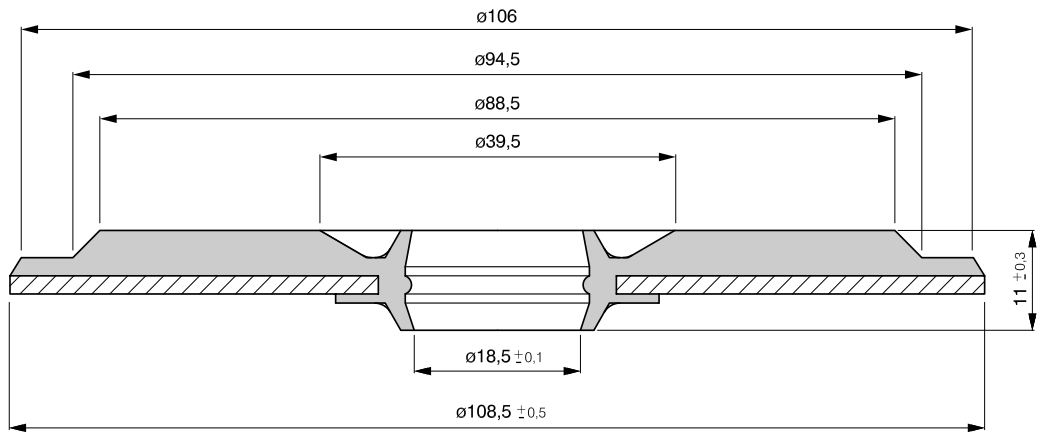
MATERIALE MATERIAL	PTFE
-----------------------	------



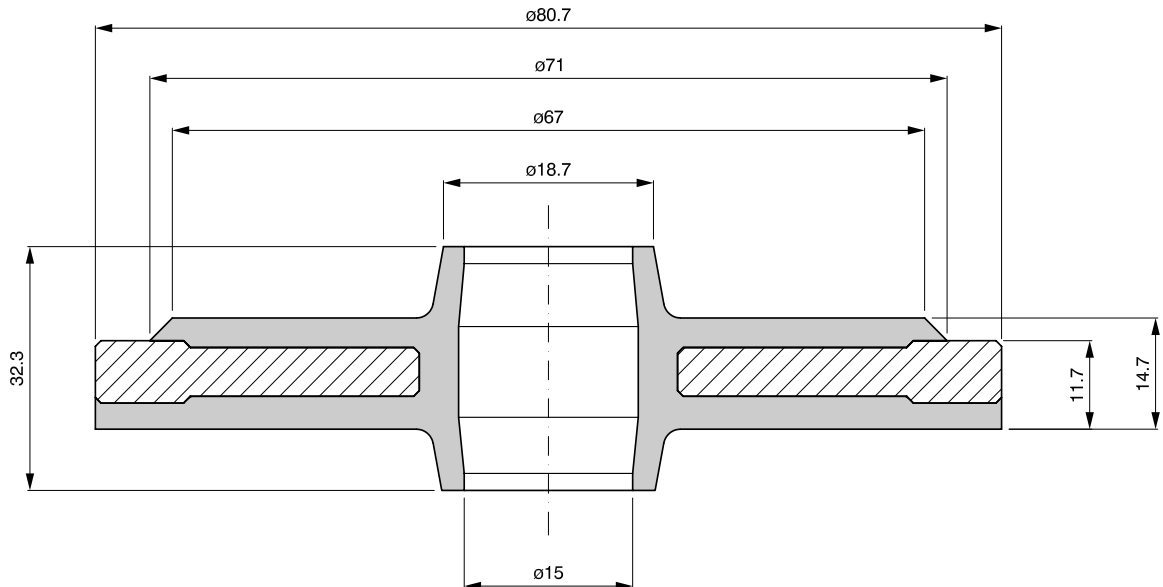
200.0042



200.0043

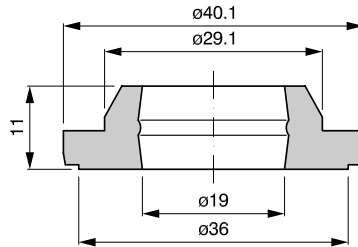


200.0065



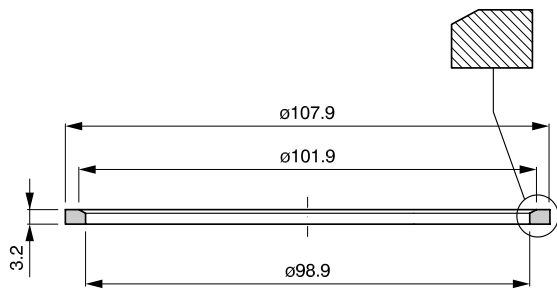
200.0155

MATERIALE MATERIAL	NBR
-----------------------	-----



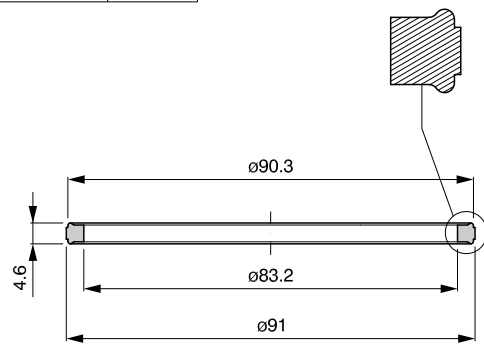
200.0156

MATERIALE MATERIAL	NBR
-----------------------	-----



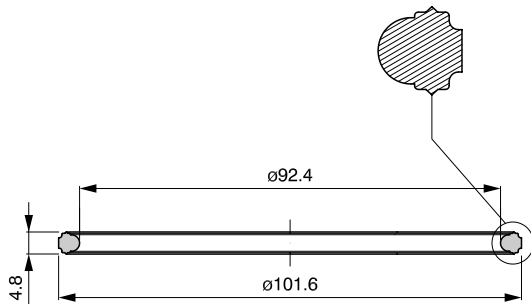
200.0260

MATERIALE MATERIAL	EPDM
-----------------------	------



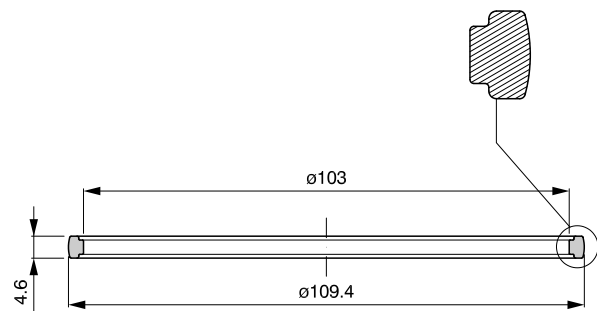
200.0261

MATERIALE MATERIAL	EPDM
-----------------------	------



200.0262

MATERIALE MATERIAL	EPDM
-----------------------	------



SUCKERS



Ventose Orobica Plast-Gom

La soluzione ideale per il trasporto dei materiali.

Le ventose possono bloccare, sollevare o girare i più differenti prodotti durante i processi produttivi. Il contatto tra una ventosa e l'oggetto da movimentare è delicato e leggero. La tecnica, semplice e sicura.

La scelta della ventosa giusta.

La scelta del modello di ventosa più adatto è fondamentale per ottenere un risultato ottimale. Disponiamo di ventose per superfici tonde, inclinate, curve od irregolari; il nostro programma di ventose si adatta ai più disparati settori di utilizzo.

La gamma più completa.

Gli innumerevoli modelli a catalogo, ognuno dei quali in diverse dimensioni, vi offrono una vastissima possibilità di scelta. Il nostro ufficio tecnico è a vostra disposizione per consigliarvi la scelta giusta o per studiare la soluzione adatta per esigenze particolari.

I Vantaggi delle ventose Orobica Plast-Gom:

- vastissima scelta
- differenti materiali per diverse situazioni d'impiego
- idonee per temperature fino a 200 °C
- aderiscono perfettamente anche in presenza di spigoli od angoli

Orobica Plast-Gom's Suckers

The best solution to move materials.

Suckers can take, lift or turn every kind of material in production processes. The contact between a sucker and the object to be moved is soft and light, and the technical process easy and safe arm.

Choice of the right sucker.

It is very important to choose the most proper type of sucker, to get excellent results. We have suckers suitable for round, inclined, curved and irregular surfaces, and in our range of products you can find the best solution for every kind of use.

The widest range of suckers.

You can find in our catalogue many types of suckers, with different dimensions and forms. Our technical department is at your disposal to help you choosing the most suitable solution for your particular needs.

Advantages of Orobica Plast-Gom's Suckers:

- the widest choice
- different materials for different kinds of use
- temperature-resistant up to 200 °C
- perfect adherence even in presence of edges and angles

Ventouses Orobica Plast-Gom

La solution idéale pour transporter les matériaux.

Les ventouses peuvent fermer, lever ou tourner les produits les plus divers dans les procédés de fabrication. Le contact entre une ventouse et l'objet à manipuler est délicat et léger. La technique, simple et sûre.

Le choix de la ventouse appropriée.

Le choix de la ventouse appropriée est très important pour obtenir un bon résultat. Nous avons des ventouses pour toutes surfaces: inclinées, courbes ou irrégulières; dans notre programme de ventouse vous pouvez trouver le modèle le plus approprié quelque soit le secteur d'utilisation.

La gamme la plus complète.

Les nombreux modèles que vous trouvez dans notre catalogue, en différentes dimensions, offrent un très vaste choix. Notre bureau technique est à votre disposition pour vous conseiller le choix le plus approprié ou pour étudier la meilleure solution pour vos exigences particulières.

Les avantages des ventouses Orobica Plast-Gom:

- un très vaste choix
- matériaux divers adaptés aux différentes utilisations
- matériaux résistants à des températures jusqu'à 200°C
- une accroche parfaite dans tous les cas

Sauger Orobica Plast-Gom

Die beste Lösung für den Materialtransport.

Sauger können verschiedene Produkte im Fertigungsprozeß festhalten, heben oder drehen. Die Berührung zwischen Sauger und dem zu handierenden Gegenstand ist leicht und vorsichtig, und die Technik einfach und sicher.

Die Wahl des richtigen Saugers.

Es ist sehr wichtig, die richtige Saugerausführung zu wählen, um optimale Ergebnisse zu erreichen. Wir können Ihnen Sauger für runde, schräge und unregelmäßige Oberflächen anbieten. Unser Sauger Programm eignet sich für die verschiedensten Einsatzbereiche.

Ein komplettes Sauger-Programm.

In unserem Katalog können Sie viele verschiedenen Saugerausführungen mit vielfachen Formen und Abmessungen finden. Unser technisches Büro steht Ihnen gern zur Verfügung, um Ihnen die beste Lösung für Ihre Bedürfnisse zu empfehlen.

Vorteile der Sauger von Orobica Plast-Gom:

- Breite Auswahl
- Verschiedene Materialien für verschiedene Einsatzbereiche
- Temperaturbeständig bis 200 °C
- Greifen auch über Kanten und Ecken

Ventosa Orobica Plast-Gom

La solución ideal para mover elementos.

Las ventosas pueden bloquear, levantar o girar diferentes tipos de productos durante el proceso productivo. El contacto entre una ventosa y el objeto a mover es delicado y ligero. La técnica, simple y segura.

La elección de la ventosa adecuada.

La elección del modelo de ventosa más apto es fundamental para obtener un resultado óptimo. Disponemos de ventosas para superficies redondas, inclinadas, con curvas irregulares; nuestro programa de ventosas se adapta al más variado sector de utilización.

La gama más completa.

Los innumerables modelos del catálogo, cada uno en diversas dimensiones, les ofrecen una amplia posibilidad de elección. Nuestra oficina técnica está a su disposición para aconsejarle la justa elección, o para estudiar la solución edónea para exigencias particulares.

Las ventajas de las ventosas Orobica Plast-Gom:

- Amplia gama de elección
- Diferentes materiales, para diferentes usos
- Idoneas para temperaturas hasta 200°C
- Perfecta adherencia, incluso con presencia de cantos y ángulos

Sigla ASTM Symbol ASTM Indicativ ASTM Bezeichn. ASTM Sigla ASTM	Materiale Material Matériel Material Material	Durezza SH-A Hardness SH-A Dureté SH-A Härte SH-A Durezza SH-A	Colore Colour Couleur Farbe Color	Temperatura di utilizzo Temperature of use Température de utilisation Arbeitstemperatur Temperatura de uso	Resistenza all'usura Wear-resistance Résistance à usure Verschleißfestigkeit Resistencia al desgaste	Resistenza agli olii Oil-resistance Résistance aux huiles Ölbeständigkeit Resistencia a los aceites	Res. all'ozono e agenti atmos. Ozone and weather resistance Rés. à l'ozone et aux agents atmos. Wetter- und Ozonbeständigkeit Res. al ozono y agentes atmos.
NR 40	Gomma naturale Natural rubber Caoutchouc naturel Naturkautschuk Goma natural	40 ± 5	Marrone Brown Marron Braun Marron	-40°C / +80°C	eccellente excellent excellent ausgezeichnet excelente	insufficiente insufficient insuffisant ungenügend insuficiente	buona good bonne gut buena
NR 50	Gomma naturale Natural rubber Caoutchouc naturel Naturkautschuk Goma natural	50 ± 5	Nero Black Noir Schwarz Negro	-40°C / +80°C	eccellente excellent excellent ausgezeichnet excelente	insufficiente insufficient insuffisant ungenügend insuficiente	buona good bonne gut buena
NBR 50	NBR NBR NBR NITRIL NBR	50 ± 5	Nero Black Noir Schwarz Negro	-40°C / +110°C	buona good bonne gut buena	eccellente excellent excellent ausgezeichnet excelente	buona good bonne gut buena
CR 50	Cloroprene Chloropren Chloroprène Chloropren Cloropreno	50 ± 5	Nero Black Noir Schwarz Negro	-40°C / +110°C	eccellente excellent excellent ausgezeichnet excelente	buona good bonne gut buena	ottima very good très bon sehr gut óptimo
CR 60	Cloroprene Chloropren Chloroprène Chloropren Cloropreno	60 ± 5	Nero Black Noir Schwarz Negro	-40°C / +110°C	eccellente excellent excellent ausgezeichnet excelente	buona good bonne gut buena	ottima very good très bon sehr gut óptimo
EPDM	Etilene-Propilene Ethylene-Propylene Éthylène-Propylène Äthylen-Propylen Etilene-Propilene	30/80 ± 5	Nero Black Noir Schwarz Negro	-40°C / +130°C	sufficiente sufficient suffisant genügend suficiente	insufficiente insufficient insuffisant ungenügend insuficiente	eccellente excellent excellent ausgezeichnet excelente
VMQ 30	Silicone Silicon Silicone Silikon Silicona	30 ± 5	Trasparente Transparent Transparent Transparent Transparente	-70°C / +200°C	buona good bonne gut buena	sufficiente sufficient suffisant genügend suficiente	eccellente excellent excellent ausgezeichnet excelente
VMQ 50	Silicone Silicon Silicone Silikon Silicona	50 ± 5	Trasparente Transparent Transparent Transparent Transparente	-70°C / +200°C	buona good bonne gut buena	sufficiente sufficient suffisant genügend suficiente	eccellente excellent excellent ausgezeichnet excelente
TPU 65	Poliuretano Polyurethane Polyuretane Polyurethan Poliuretano	65 ± 5	Trasparente Transparent Transparent Transparent Transparente	-25°C / +80°C	eccellente excellent excellent ausgezeichnet excelente	eccellente excellent excellent ausgezeichnet excelente	eccellente excellent excellent ausgezeichnet excelente
PVC 50	Vinile Vinyl Vinyl Vinyl Vinyl	50 ± 5	Azzurro Blue Bleu Blau Azul	0°C / +70°C	eccellente excellent excellent ausgezeichnet excelente	buona good bonne gut buena	buona good bonne gut buena
FKM 60	Viton	60 ± 5	Nero Black Noir Schwarz Negro	-20°C / +280°C	buona good bonne gut buena	eccellente excellent excellent ausgezeichnet excelente	eccellente excellent excellent ausgezeichnet excelente

INDEX
INDEX
INDEX
ÍNDICE

COD.	PAG.	Materiali - Material				
		Matériel - Material - Material				
003.0001	2	NR50	NBR50	VMQ50		
003.0002	2	NR50	NBR50	VMQ50		
003.0003	2	NR50	NBR50	VMQ50		
003.0004	2	NR50	NBR50	VMQ50		
003.0005	2	NR50	NBR50	VMQ50		
003.0006	2	NR50	NBR50	VMQ50		
003.0007	3	NR40	NBR50	VMQ50		
003.0008	3	NR40	NBR50	VMQ50		
003.0009	3	NR40	NBR50	VMQ50		
003.0010	3	NR40	NBR50	VMQ50		
003.0011	3	NR40	NBR50	VMQ50		
003.0012	3	NR40	NBR50	VMQ50		
003.0013	3	NR40	NBR50	VMQ50		
003.0014	3	NR40	NBR50	VMQ50		
003.0015	3	NR40	NBR50	VMQ50		
003.0016	3	NR40	NBR50	VMQ50		
003.0017	3	NR40	NBR50	VMQ50		
003.0018	4	NR40	NBR50	VMQ50		
003.0019	4	NR40	NBR50	VMQ50		
003.0020	4	NR40	NBR50	VMQ50	PU65	PVC50
003.0021	4	NR40	NBR50	VMQ50	PU65	PVC50
003.0022	6	NR40	VMQ50			
003.0023	6	NR40				
003.0024	7	NR40				
003.0025	7	NR50	TPU65			
003.0026	7	NR50	TPU65			
003.0027	8	NR40	NBR50			
003.0028	7	NR40				
003.0029	7	NR50	VMQ50			
003.0030	3	NR40	NBR50	VMQ50		
003.0031	3	NR40	NBR50	VMQ50		
003.0033	7	NR50				
003.0034	7	NR50	VMQ50			
003.0035	8	NR40				
003.0036	8	NR50	VMQ50			
003.0037	8	NR50	VMQ50			
003.0038	8	NR40	NBR70	VMQ70		
003.0039	4	NR40	NBR50	VMQ50		
003.0040	14	NBR50				
003.0041	9	CR50				
003.0042	5	CR50				
003.0043	8	NR50				
003.0044	9	NR50				
003.0045	4	NR40	NBR50	VMQ50		
003.0046	9	PUR65				
003.0047	8	NR40	NBR70			
003.0048	71	CR60				
003.0049	9	NR40	VMQ50			
003.0054	9	NBR50	VMQ50			
003.0055	14	PVC50				
003.0056	14	PVC50				
003.0057	9	NR40				
003.0058	10	VMQ50				
003.0059	3	NR50	NBR50	VMQ50		
003.0060	5	PUR				
003.0061	6	PUR				
003.0062	6	PUR				
003.0063	14	PVC50				
003.0064	4	NBR50	VMQ50			
003.0065	3	PVC50				
004.0001	2	NR50	VMQ50			

COD.	PAG.	Materiali - Material				
		Matériel - Material - Material				
004.0002	2	NR50	NBR50	VMQ50		
004.0003	2	NR50	NBR50	VMQ50		
004.0004	2	NR50	NBR50	VMQ50		
004.0005	2	NR50	NBR50	VMQ50		
004.0006	2	NR50	NBR50	VMQ50		
004.0007	6	NBR50				
004.0008	11	HNBR50	HNBR60			
004.0009	11	HNBR50	HNBR60			
004.0010	11	HNBR50	HNBR60			
004.0011	11	HNBR50	HNBR60			
004.0012	11	HNBR50	HNBR60			
004.0013	11	HNBR50	HNBR60			
004.0014	11	HNBR50	HNBR60			
004.0015	11	HNBR50	HNBR60			
004.0016	12	HNBR50	HNBR60			
004.0017	11	HNBR50	HNBR60			
004.0018	11	HNBR50	HNBR60			
004.0019	11	HNBR50	HNBR60			
004.0020	11	HNBR50	HNBR60			
004.0021	11	HNBR50	HNBR60			
004.0022	11	HNBR50	HNBR60			
004.0023	12	HNBR50	HNBR60			
004.0024	12	HNBR50	HNBR60			
004.0025	12	HNBR50	HNBR60			
004.0026	12	HNBR50	HNBR60			
004.0027	12	HNBR50	HNBR60			
004.0028	12	HNBR50	HNBR60			
005.0001	2	NR50	NBR50	VMQ50		
005.0002	2	NR50	NBR50	VMQ50		
005.0003	2	NR50	NBR50	VMQ50		
005.0004	2	NR50	NBR50	VMQ50		
005.0005	2	NR50	NBR50	VMQ50		
005.0006	2	NR50	NBR50	VMQ50		
005.0007	3	NR40	NBR50	VMQ50		
005.0008	3	NR40	NBR50	VMQ50		
005.0009	4	NR40	NBR50	VMQ50		
005.0010	4	NR40	NBR50	VMQ50		
005.0011	4	NR40	NBR50	VMQ50	TPU65	PVC50
005.0012	4	NR40	NBR50	VMQ50	TPU65	PVC50
005.0013	6	NBR50				
005.0019	3	NR40	NBR50	VMQ50		
005.0020	3	NR40	NBR50	VMQ50		
005.0021	3	NR40	NBR50	VMQ50		
005.0022	3	NR40	NBR50	VMQ50		
005.0023	6	NR40				
005.0024	6	NR40				
005.0025	10	NBR50				
005.0026	5	NR40	NBR50	VMQ50		
005.0027	5	CR50				
005.0028	4	NR40	NBR50	VMQ50		
005.0029	4	NR40	NBR50	VMQ50		
005.0030	5	PUR				
005.0031	6	PUR				
005.0032	6	PUR				
005.0033	4	NBR50	VMQ50			
005.0035	11	HNBR50	HNBR60			
005.0036	12	HNBR50	HNBR60			
005.0037	12	HNBR50	HNBR60			
005.0038	11	HNBR50	HNBR60			
005.0039	11	HNBR50	HNBR60			
005.0040	11	HNBR50	HNBR60			

INDEX

INDEX

INDEX

ÍNDICE

COD.	PAG.	Materiali - Material				
		Matériel - Material - Material				
005.0041	11	HNBR50	HNBR60			
005.0042	11	HNBR50	HNBR60			
005.0043	11	HNBR50	HNBR60			
005.0044	12	HNBR50	HNBR60			
005.0045	12	HNBR50	HNBR60			
005.0046	12	HNBR50	HNBR60			
005.0047	12	HNBR50	HNBR60			
005.0048	12	HNBR50	HNBR60			
005.0049	12	HNBR50	HNBR60			
005.0050	12	HNBR50	HNBR60			
005.0051	12	HNBR50	HNBR60			
005.0052	12	HNBR50	HNBR60			
005.0053	12	HNBR50	HNBR60			
005.0054	12	HNBR50	HNBR60			
005.0055	12	HNBR50	HNBR60			
006.0001	16	NR50	NBR50	VMQ50		
006.0002	16	NR50	NBR50	VMQ50		
006.0003	16	NR50	NBR50	VMQ50		
006.0004	16	NR50	NBR50	VMQ50	FKM50	
006.0005	16	NR50	NBR50	VMQ50	FKM50	
006.0006	16	NR50	NBR50	VMQ50		
006.0007	16	NR50	NBR50	VMQ50		
006.0008	16	NR50	NBR50	VMQ50		
006.0009	17	NR40	NR50			
006.0010	17	NR40	VMQ50			
006.0011	17	NR40				
006.0012	17	NR40				
006.0013	17	NR40	NR50	NBR50		
006.0014	17	NR40	NR50			
006.0015	17	NR40				
006.0016	18	NR40	NR50			
006.0017	17	NR40	VMQ50			
006.0018	18	NR40	NBR50	VMQ50		
006.0019	18	NR40	VMQ50			
006.0019.01	18	NR40				
006.0020	18	NR40	VMQ50			
006.0021	17	NR40	VMQ50			
006.0022	18	NR40	VMQ50			
006.0023	19	NR40	NBR50	VMQ50		
006.0024	17	NR40	VMQ50			
006.0025	20	NR40	VMQ50			
006.0026	19	NR40	VMQ50			
006.0027	17	NR40	VMQ50			
006.0028	17	NR40	VMQ50			
006.0029	17	NR40	VMQ50			
006.0031	17	NR40	VMQ50			
006.0032	19	NR40	VMQ50			
006.0033	19	NR40	NR50			
006.0034	20	NR40				
006.0035	19	NR40	NR50	VMQ50		
006.00351	19	NR40	NR50	VMQ50		
006.0036	20	NR40	VMQ50	TPU65		
006.0037	20	NR40	NR50			
006.0038	17	NR40	VMQ50			
006.0039	17	NR40				
006.0040	21	NR40	NR50	VMQ50		
006.0041	21	NR40	NR50	NBR50	VMQ50	PU65
006.0042	21	NR40				
006.0043	22	NR40	CR50			
006.0044	22	NR40				
006.0045	46	NR50				

COD.	PAG.	Materiali - Material				
		Matériel - Material - Material				
006.0046	22	NR50	VMQ50			
006.0047	22	NR40	NR50	VMQ50		
006.0049	22	NR40	NR50			
006.0050	22	NR50	VMQ50			
006.0051	23	NR40	NR50	VMQ50	FKM50	
006.0052	23	NR40	NR50	VMQ50		
006.0053	34	CR50	VMQ50			
006.0054	34	CR50	VMQ50	TPU		
006.0055	34	CR50	VMQ50	TPU		
006.0056	35	CR50	VMQ50	TPU		
006.0057	35	CR50	VMQ50	TPU		
006.0058	35	CR50	VMQ50	TPU		
006.0059	36	CR50	VMQ50	TPU		
006.0060	36	CR50	VMQ50	TPU		
006.0061	36	CR50	VMQ50	TPU		
006.0063	24	NR40	VMQ50			
006.0064	31	NR40	NR50	VMQ50	FKM50	PUR
006.00641	31	NR40				
006.0065	24	NR50				
006.0066	24	VMQ50				
006.0067	24	VMQ50				
006.0068	17	NR40	NR50	VMQ50		
006.0069	31	NR40	VMQ50	FKM50	PUR	
006.0070	24	VMQ50				
006.0071	28	NBR50	VMQ50	TPU65		
006.0072	24	NR40				
006.0073	18	NR40				
006.0074	19	NR40	NR50	VMQ50		
006.0075	28	NR50	VMQ50			
006.0076	46	NR50				
006.00761	46	NR50				
006.0077	25	NR40	NBR50	VMQ50		
006.0078	25	NR40	NR50	VMQ50		
006.0080	46	VMQ50				
006.0082	25	NR50	NBR50	VMQ50		
006.0087	16	NR50	VMQ50			
006.0089	25	NR40				
006.0090	25	NR40				
006.0091	25	NR40				
006.0092	39	CR50	VMQ50			
006.0093	39	CR50	VMQ50			
006.0094	39	CR50	VMQ50			
006.0095	40	CR50	VMQ50			
006.0096	40	CR50	VMQ50			
006.0097	40	CR50	VMQ50			
006.0098	41	CR50	VMQ50			
006.0099	41	CR50	VMQ50			
006.0100	41	CR50	VMQ50			
006.0101	31	NR40				
006.0102	32	NR50				
006.0103	26	NR40	CR50			
006.0105	26	NR40				
006.0106	26	TPU65				
006.0107	42	CR50	VMQ50			
006.0108	42	CR50	VMQ50			
006.0109	42	CR50	VMQ50			
006.0110	43	CR50	VMQ50			
006.0112	26	NR50				
006.0113	26	VMQ50				
006.0114	46	NBR50	VMQ50			
006.0115	31	NR50				

INDEX
INDEX
INDEX
ÍNDICE

COD.	PAG.	Materiali - Material			
		Matériel - Material - Material			
006.0116	47	NBR50	VMQ50		
006.0117	47	NBR50	VMQ50		
006.0118	47	NBR50	VMQ50		
006.0119	47	NBR50	VMQ50		
006.0120	47	NBR50	VMQ50		
006.0121	47	NBR50	VMQ50		
006.0122	47	NBR50	VMQ50		
006.0123	47	NBR50	VMQ50		
006.0124	47	NBR50	VMQ50		
006.0125	47	NBR50	VMQ50		
006.0126	48	NBR50			
006.0127	38	TPU65			
006.0128	38	TPU65			
006.0129	26	NR50	VMQ50		
006.0130	17	NR50			
006.0131	28	NR50	VMQ50		
006.0132	27	NR50			
006.0133	27	NR50			
006.0134	27	NR50			
006.0135	32	NR50			
006.0136	27	NR40			
006.0137	27	NR50			
006.0138	17	NR50			
006.0139	23	NR40	NR50	VMQ50	
006.0140	23	NR40	VMQ50		
006.0141	37	TPU65	PVC50	TPE50	
006.0142	29	VMQ50			
006.0143	29	NR40	VMQ50		
006.0144	29	VMQ50			
006.0145	29	VMQ50			
006.0147	27	VMQ50			
006.0148	28	VMQ50			
006.0149	29	NBR50			
006.0150	29	VMQ50			
006.0151	29	NR40	VMQ50		
006.0152	29	VMQ50			
006.0155	31	NR40	NR50		
006.0156	28	NBR50	VMQ50		
006.0157	29	VMQ50			
006.0158	43	CR50			
006.0159	29	VMQ50			
006.0160	29	VMQ50			
006.0161	29	VMQ50			
006.0162	29	VMQ50			
006.0163	29	VMQ50			
006.0164	52	NR40	VMQ50		
006.0165	52	NR40			
006.0166	52	NR40			
006.0167	52	NR40			
006.0168	52	CR60			
006.0169	29	NR40	VMQ50		
006.0170	48	VMQ50			
006.0172	30	FKM60			
006.0173	31	NBR50	VMQ50		
006.0174	31	NBR50	VMQ50	FKM50	
006.0175	18	VMQ50			
006.0177	17	TPU65			
006.0178	29	VMQ50			
006.0182	32	NBR50	VMQ50	PU65	
006.0183	32	NBR50	VMQ50	PU65	
006.0184	32	NBR50	VMQ50	PU65	

COD.	PAG.	Materiali - Material			
		Matériel - Material - Material			
006.0185	32	NBR50	VMQ50	PU65	
006.0186	32	NBR50	VMQ50	PU65	
006.0187	32	NBR50	VMQ50	PU65	
006.0188	32	NBR50	VMQ50	PU65	
006.0192	33	NR40			
006.0193	48	NBR50	VMQ50		
006.0194	33	NR50			
006.0195	33	VMQ70			
006.0196	48	NBR50	VMQ50		
006.0200	31	NBR50	VMQ50		
006.0201	31	NBR50	VMQ50		
006.0202	19	PVC50	TPU30		
006.02021	19	PVC50	TPU30		
006.0210	29	VMQ50			
006.0211	29	VMQ50			
006.0212	17	NR50	VMQ50		
006.0220	47	NBR50	VMQ50		
006.0221	14	PVC50			
006.02211	14	PVC50			
006.0222	49	NBR50			
006.0223	20	PVC50			
006.0224	14	PVC50			
006.02241	14	PVC50			
006.0225	46	NBR50	VMQ50		
006.0226	47	NBR50	VMQ50		
006.0227	47	NBR50	VMQ50		
006.0228	47	NBR50	VMQ50		
006.0229	47	NBR50	VMQ50		
006.0230	47	NBR50	VMQ50		
006.0231	47	NBR50	VMQ50		
006.0232	47	NBR50	VMQ50		
006.0233	47	NBR50	VMQ50		
006.0234	47	NBR50	VMQ50		
006.0235	47	NBR50	VMQ50		
006.0244	52	TPU			
006.0253	31	NR40			
006.0257	31	NR40			
006.0258	31	TPU50			
006.100100	44	NR40			
006.100101	44	NR40			
006.100102	44	NR40			
006.100103	44	NR40			
006.100104	44	NR40			
006.100105	44	NR40			
006.100106	44	NR40			
006.100107	44	NR40			
006.100108	44	NR40			
006.100109	44	NR40			
006.100110	44	NR40			
006.100111	44	NR40			
006.100112	44	NR40			
006.100113	44	NR40			
006.100114	44	NR40			
006.100200	44	NR40			
006.100201	44	NR40			
006.100202	44	NR40			
006.100203	44	NR40			
006.100204	44	NR40			
006.100205	44	NR40			
006.100206	44	NR40			
006.100207	44	NR40			

INDEX

INDEX

INDEX

ÍNDICE

COD.	PAG.	Materiali - Material				
		Matériel - Material - Material				
006.100208	44	NR40				
006.100209	44	NR40				
006.100210	44	NR40				
006.100211	44	NR40				
006.100212	44	NR40				
006.100213	44	NR40				
006.100214	44	NR40				
006.100215	44	NR40				
006.100216	44	NR40				
006.100217	44	NR40				
006.100300	44	NR40				
006.100301	44	NR40				
006.100302	44	NR40				
006.100303	44	NR40				
006.100304	44	NR40				
006.100305	44	NR40				
006.100306	44	NR40				
006.100307	44	NR40				
006.100308	44	NR40				
006.100309	44	VMQ40				
006.100400	44	NR40				
006.100401	44	NR40				
006.100402	44	NR40				
006.100403	44	NR40				
006.100404	44	NR40				
006.100405	44	NR40				
006.100406	44	NR40				
006.100407	44	NR40				
006.100408	44	NR40				
006.100409	44	NR40				
006.100410	44	NR40				
007.0001	16	NR50	NBR50	VMQ50		
007.0002	16	NR50	NBR50	VMQ50		
007.0003	16	NR50	NBR50	VMQ50		
007.0004	16	NR50	NBR50	VMQ50		
007.0005	16	NR50	NBR50	VMQ50		
007.0006	17	NR40				
007.0007	17	NR40				
007.0008	35	CR50	VMQ50	TPU		
007.0009	35	CR50	VMQ50	TPU		
007.0010	28	NR50	NBR50	VMQ50		
007.0011	35	CR50	VMQ50	TPU		
007.0012	35	CR50	VMQ50	TPU		
007.0013	35	CR50	VMQ50	TPU		
007.0014	35	CR50	VMQ50	TPU		
007.0015	41	CR50	VMQ50			
007.0016	41	CR50	VMQ50			
007.0017	41	CR50	VMQ50			
007.0018	41	CR50	VMQ50			
007.0019	41	NBR50	VMQ30			
007.0020	41	CR50	VMQ50			
007.0021	43	CR50	VMQ50			
007.0022	43	CR50	VMQ50			
007.0023	30	NBR50	VMQ50	FKM60	TPU65	
007.0024	30	NBR50	VMQ50	FKM60	TPU65	
007.0025	30	NBR50	VMQ50	FKM60	TPU65	
007.0026	30	NBR50	VMQ50	TPU65		
007.0027	30	NBR50	VMQ50	TPU65		
007.0028	30	NBR50	VMQ50	TPU65		
007.0029	79	CR50	VMQ50			
007.0030	28	NBR50	VMQ50			

COD.	PAG.	Materiali - Material				
		Matériel - Material - Material				
007.0031	79	CR50	VMQ50			
007.0032	79	CR50	VMQ50			
007.0033	79	CR50	VMQ50			
007.00331	79	CR50	VMQ50			
007.0034	79	CR50	VMQ50			
007.00341	79	CR50	VMQ50			
008.0001	16	NR50	NBR50	VMQ50		
008.0002	16	NR50	NBR50	VMQ50		
008.0003	16	NR50	NBR50	VMQ50		
008.0004	16	NR50	NBR50	VMQ50		
008.0005	16	NR50	NBR50	VMQ50		
008.0006	34	CR50	VMQ50			
008.0007	34	CR50	VMQ50	TPU		
008.0008	34	CR50	VMQ50	TPU		
008.0009	35	CR50	VMQ50	TPU		
008.0016	28	NR50				
008.0017	28	NR50				
008.0018	28	NR50				
008.0019	28	NR50				
008.0020	28	NR50				
008.0021	35	CR50	VMQ50			
008.0022	28	NR50	VMQ50			
008.0023	34	CR50	VMQ50			
008.0024	34	CR50	VMQ50	TPU		
008.0025	35	CR50	VMQ50	TPU		
008.0026	21	NR40	NR50	VMQ50		
008.0027	21	NR40				
008.0028	23	NR40	NR50	VMQ50		
008.0029	23	NR40	NR50	VMQ50		
008.0030	21	NR40	NR50	NBR50	VMQ50	TPU65
008.0031	39	CR50	VMQ50			
008.0032	39	CR50	VMQ50			
008.0033	39	CR50	VMQ50			
008.0034	40	CR50	VMQ50			
008.0035	40	CR50	VMQ50			
008.0036	40	CR50	VMQ50			
008.0037	40	CR50	VMQ50			
008.0038	41	CR50	VMQ50			
008.0039	41	CR50	VMQ50			
008.0040	41	CR50	VMQ50			
008.0041	28	CR50	VMQ50			
008.00411	28	CR50	VMQ50			
008.0042	42	CR50	VMQ50			
008.0043	42	CR50	VMQ50			
008.0044	42	CR50	VMQ50			
008.0045	42	CR50	VMQ50			
008.0046	42	CR50	VMQ50			
008.0047	43	CR50				
009.0001	36	CR50	VMQ50	TPU		
009.0002	36	CR50	VMQ50	TPU		
009.0003	36	CR50	VMQ50	TPU		
009.0004	38	TPU65				
009.0005	38	TPU65				
009.0006	37	TPU65	PVC50	TPE50		
009.1001	36	CR50	VMQ50	TPU		
009.1002	36	CR50	VMQ50	TPU		
009.1003	36	CR50	VMQ50	TPU		
009.1004	37	PU65	PVC50	TPE50		
009.1005	49	NBR50				
010.0001	76	NR50	NBR50	VMQ50	TPU65	PVC50
010.0002	77	NR50	NBR50	VMQ50	TPU65	PVC50

INDEX

INDEX

INDEX

ÍNDICE

COD.	PAG.	Materiali - Material					
		Matériel - Material - Material					
010.0003	77	NR50	NBR50	VMQ50	TPU65	PVC50	
010.0004	77	NR50	NBR50	VMQ50	TPU65	PVC50	
010.0005	78	NR50	NBR50	VMQ50			
010.0006	78	CR50	VMQ50				
010.0007	81	EPDM					
010.0008	80	EPDM					
010.0009	80	EPDM					
010.0010	81	EPDM					
010.0011	82	EPDM					
010.0012	82	EPDM					
010.0013	50	EPDM					
010.0014	51	EPDM					
010.0015	78	VMQ30					
011.0001	76	NR50	NBR50	VMQ50	TPU65	PVC50	
011.0002	77	NR50	NBR50	VMQ50	TPU65	PVC50	
011.0003	77	NR50	NBR50	VMQ50	TPU65	PVC50	
011.0004	77	NR50	NBR50	VMQ50	TPU65	PVC50	
011.0005	79	NBR50	VMQ50				
011.0006	79	NBR50	VMQ50	FKM50			
011.0008	78	NR50	NBR50	VMQ50			
011.0009	76	NR50	NBR50	VMQ50	TPU65	PVC50	
011.0010	77	NR50	NBR50	VMQ50	TPU65	PVC50	
011.0011	77	NR50	NBR50	VMQ50	TPU65	PVC50	
011.0012	77	NR50	NBR50	VMQ50	TPU65	PVC50	
011.0013	81	EPDM					
011.0014	80	EPDM					
011.0015	80	EPDM					
011.0016	81	EPDM					
011.0017	81	EPDM					
011.0018	81	EPDM					
011.0019	80	EPDM					
011.0020	80	EPDM					
011.0021	82	EPDM					
011.0022	82	EPDM					
011.0023	50	EPDM					
011.0024	51	EPDM					
011.0025	79	CR50	VMQ50				
011.0026	79	CR50	VMQ50				
011.0027	79	CR50	VMQ50				
012.0001	61	NR40	NR50	NBR50	VMQ50	TPU	PVC50
012.0002	61	NR40	NR50	NBR50	VMQ50	TPU	PVC50
012.0003	61	NR40	NR50	NBR50	VMQ50	TPU	PVC50
012.0004	61	NR40	NR50	NBR50	VMQ50		
012.0005	61	NR40	NR50	NBR50	VMQ50		
012.0006	62	NR40	NR50	NBR50	VMQ50	TPU	PVC50
012.0007	62	NR40	NR50	NBR50	VMQ50	TPU	PVC50
012.0008	62	NR40	NR50	NBR50	VMQ50	TPU	PVC50
012.0009	54	CR60	VMQ50				
012.00091	54	VMQ50					
012.0010	54	CR60	VMQ50	TPU			
012.0011	54	CR60	VMQ50	TPU			
012.0012	55	CR60	VMQ50	TPU			
012.0013	55	CR60	VMQ50	TPU			
012.0014	55	CR50	VMQ50	TPU			
012.0015	56	CR50	VMQ50	TPU			
012.00151	57	CR50	VMQ50				
012.0016	56	CR50	VMQ50	TPU			
012.00161	57	CR50	VMQ50				
012.0017	56	CR50	VMQ50	TPU			
012.00171	57	CR50	VMQ50				
012.0018	62	NR50	VMQ50				

COD.	PAG.	Materiali - Material					
		Matériel - Material - Material					
012.0019	60	NR50	NBR50	VMQ50	TPU	PVC50	
012.0020	63	NR40	NR50	NBR50	VMQ50		
012.0021	63	NR40	NR50	VMQ50			
012.0022	63	NR40	NR50	VMQ50			
012.0023	63	NR40	NR50	VMQ50			
012.0024	63	NR40	NR50	VMQ50			
012.0025	63	NR50	VMQ30	VMQ50			
012.0026	63	NR40	NR50	NBR60	VMQ50		
012.0027	64	NR50	VMQ30	VMQ50			
012.0028	64	NR40	NR50	VMQ50			
012.0029	64	NR50	VMQ50				
012.0030	69	VMQ50					
012.0031	69	VMQ30	VMQ50	FKM60			
012.0032	69	NR50	VMQ50				
012.0033	64	VMQ30	VMQ50				
012.0034	66	NR50	VMQ50	VMQ30			
012.0035	64	NR50					
012.0036	64	NR40	VMQ30	VMQ50			
012.00361	64	VMQ30	VMQ50				
012.0037	65	VMQ50					
012.0038	74	NR50	VMQ50				
012.0039	74	NR50	VMQ50				
012.0040	61	NR40	NR50	NBR50	VMQ50		
012.0041	61	NR40	VMQ50				
012.0043	65	NR40	NR50	VMQ50			
012.0044	65	VMQ50					
012.0045	65	VMQ30	VMQ50				
012.0046	65	NR50	VMQ50				
012.0047	65	NR50	VMQ50				
012.0048	63	NR40	NR50	VMQ50			
012.0049	62	NR50	NBR50	VMQ50			
012.0050	66	NR40	VMQ30	VMQ50			
012.0051	66	VMQ50	VMQ30				
012.0052	61	NR50	VMQ30	VMQ50			
012.0054	66	NR50	VMQ30	VMQ50			
012.0056	66	NR40	VMQ30	VMQ50			
012.0057	66	NR50	VMQ50				
012.0058	61	NR50	VMQ50				
012.0059	74	NR50	NBR50	VMQ40			
012.0060	74	VMQ40					
012.0061	74	VMQ40					
012.0062	74	VMQ40					
012.0063	58	CR60	VMQ50				
012.0064	58	CR60	VMQ50				
012.0065	58	CR60	VMQ50				
012.0066	59	CR60	VMQ50				
012.0067	62	NR50	NBR50	VMQ50			
012.0068	74	NR50	VMQ50				
012.0069	72	NR50					
012.0070	67	NR40	NR50	VMQ50			
012.0071	67	NR40	NR50	VMQ50			
012.0072	62	VMQ50					
012.0073	63	NR40	NR50	VMQ50			
012.0074	61	CR50	VMQ50				
012.0075	62	NR50	VMQ50				
012.0076	72	NBR50	VMQ50				
012.0077	66	TPU	PVC50				
012.0078	67	VMQ50					
012.0079	67	TPU	PUR70				
012.0080	67	VMQ50					
012.0081	61	NR50	VMQ50				

INDEX

INDEX

INDEX

ÍNDICE

COD.	PAG.	Materiali - Material				
		Matériel - Material - Material				
012.0082	74	NR50	VMQ50			
012.0083	74	NR50				
012.0084	67	VMQ30	VMQ50			
012.0085	61	NR50	VMQ50			
012.0087	67	NR40	NR50			
012.0088	61	NR50	NBR50	VMQ50		
012.0089	61	NR50	NBR50	VMQ50		
012.0090	62	NR50	NBR50	VMQ50		
012.0091	62	NR50	NBR50	VMQ50		
012.0092	62	NR50				
012.0093	62	NR50	VMQ50			
012.0094	68	VMQ50				
012.0095	65	VMQ50				
012.0096	68	LSR50				
012.0097	68	LSR50	NBR50			
012.0098	62	NBR50	VMQ50			
012.0099	62	CR60	VMQ50			
012.0100	61	PVC50	TPU			
012.0101	68	CR60	VMQ50			
012.0102	68	VMQ50				
012.0103	61	NBR50	VMQ50			
012.0104	68	VMQ30				
012.0105	62	NBR50	VMQ50			
012.0106	68	NR40	VMQ50			
012.0107	69	NR40				
012.0112	62	TPU65	VMQ50			
012.0113	60	NBR50	VMQ50			
012.0114	60	VMQ50				
012.0121	61	NBR50	VMQ50			
012.0135	70	NR40	VMQ50			
012.0136	70	NBR50	VMQ50	TPU50		
012.0137	70	NBR50	VMQ50	TPU50		
012.0138	70	NBR50	VMQ50	TPU50		
012.0139	70	NBR50	VMQ50	TPU50		
012.0140	70	NR40	VMQ50			
012.0141	70	VMQ50				
012.0151	67	VMQ50				
012.0154	69	NBR50				
012.0162	60	VMQ30	VMQ50			
012.0163	60	VMQ30	VMQ50			
013.0001	61	NR40	NR50	NBR50	VMQ50	TPU
013.0002	61	NR40	NR50	NBR50	VMQ50	TPU
013.0003	61	NR40	NR50	NBR50	VMQ50	TPU
013.0004	62	NR40	NR50	NBR50	VMQ50	TPU
013.0005	62	NR40	NR50	NBR50	VMQ50	TPU
013.0006	62	NR40	NR50	NBR50	VMQ50	TPU
013.0007	55	CR60	VMQ50	TPU		
013.0008	55	CR50	VMQ50	TPU		
013.0009	61	NR50	NBR50	VMQ50		
013.0010	61	NR50	NBR50	VMQ50		
013.0011	61	NR40	NR50	NBR50	VMQ50	
013.0012	69	NBR50	VMQ50			
013.0014	58	CR60	VMQ50			
013.0015	58	CR60	VMQ50			
013.0016	58	CR60	VMQ50			
013.0017	59	CR60	VMQ50			
013.0018	62	NBR50	VMQ50			
013.0020	58	CR60	VMQ50			
013.0021	58	CR60	VMQ50			
013.0022	58	CR60	VMQ50			
013.0023	59	CR60	VMQ50			

COD.	PAG.	Materiali - Material				
		Matériel - Material - Material				
013.0024	55	CR60	VMQ50	TPU		
013.0025	55	CR50	VMQ50	TPU		
013.0026	62	NR50	NBR50	VMQ50		
013.0027	62	NR50	NBR50	VMQ50		
013.0028	74	PVC50				
013.0029	62	NR50	NBR50	VMQ50		
013.0030	61	NR50	NBR50	VMQ50		
013.0031	61	NR40	NR50	NBR50	VMQ50	TPU PVC50
013.0032	61	NR40	NR50	NBR50	VMQ50	TPU PVC50
013.0033	61	NBR50	VMQ50			
013.0034	61	NR40	NR50	NBR50	VMQ50	TPU PVC50
013.0036	62	VMQ50	PVC50	TPU		
013.0037	62	NR40	NR50	NBR50	VMQ50	PVC50
013.0038	62	VMQ50				
013.0039	62	NR40	NR50	NBR50	VMQ50	TPU PVC50
013.0040	62	NR40	NR50	NBR50	VMQ50	TPU PVC50
013.0041	70	NBR50	VMQ50	TPU50		
013.0042	70	PVC50				
014.0001	54	CR60	VMQ50			
014.00012	54	VMQ50				
014.0002	54	CR60	VMQ50			
014.0003	54	CR60	VMQ50	TPU		
014.0004	55	CR60	VMQ50	TPU		
014.0005	62	NR40	NBR50	VMQ50		
014.0006	62	NR40	NBR50	VMQ50		
014.0007	62	NR40	NBR50	VMQ50		
014.0008	71	NR40	NBR70			
014.00081	71	NR40	NBR60			
014.00082	71	CR60				
014.0010	60	NR50	NBR50	PVC50	TPU	
014.0011	61	NR40	NR50	NBR50	VMQ50	
014.0012	61	NR40	NR50	NBR50	VMQ50	
014.0013	61	NR40	NR50	NBR50	VMQ50	
014.0014	61	NR40	NR50	NBR50	VMQ50	
014.0017	54	CR60	VMQ50	TPU		
014.0018	55	CR60	VMQ50	TPU		
014.0019	62	NR40	NR50	NBR50	VMQ50	
014.0020	62	NR40	NR50	NBR50	VMQ50	
014.0021	62	NR40	NR50	NBR50	VMQ50	
014.0023	61	NBR50	VMQ50			
014.0024	61	NBR50	VMQ50			
014.0025	62	PVC50	TPU			
014.0026	62	VMQ50				
014.0027	89	NBR50				
014.0029	61	NBR50	VMQ50			
014.0030	61	NBR50	VMQ50			
015.0001	56	CR50	VMQ50	TPU		
015.00012	57	CR50	VMQ50			
015.0002	56	CR50	VMQ50	TPU		
015.00022	57	CR50	VMQ50			
015.0003	56	CR50	VMQ50	TPU		
015.00032	57	CR50	VMQ50			
015.0004	72	NBR50				
015.0005	72	NBR50				
016.0001	99					
016.0002	100					
016.0003	101					
016.0004	102					
016.0005	103					
016.0009	98					
016.0101	104					
017.0001	105					

INDEX

COD.	PAG.
017.0002	106
017.0003	107
017.0004	108
018.0001	110
018.0002	110
018.0003	110
018.0004	110
018.0005	110
018.0006	110
018.0007	110
018.0008	110
018.0009	110
018.0010	111
018.0011	111
018.0012	111
018.0019	114
018.0020	114
018.0021	114
018.1001	120
018.1002	120
018.1003	120
018.1004	120
019.0001	112
019.0002	112
019.0003	112
019.0004	112
019.0005	112
019.0006	112
019.0007	112
019.0008	112
019.0009	112
019.0010	113
019.0011	113
019.0012	113
019.0013	115
019.0014	115
019.0015	115
019.0016	116
019.0017	116
019.0018	116
019.0019	116
019.0020	116
019.0021	116
021.0001	117
021.0002	118
021.0003	119
022.0001	109
022.0002	109
022.0003	109
023.0001	3
023.0002	3
023.0003	4
023.0004	4
023.0005	4
023.0007	21
023.0008	60
023.0009	23
023.0010	23
023.0011	21
023.0012	21
023.0013	5
023.0014	5
023.0015	5

INDEX

COD.	PAG.
023.0017	49
023.0018	49
023.0101	104
023.0200	2
023.0201	2
023.0202	6
023.0205	87
023.0206	87
023.0207	47
023.0209	47
023.0210	46
023.0211	5
023.0212	6
023.0213	49
023.0214	49
023.0217	89
023.0218	89
023.0300	34
023.0302	39
023.0350	105
023.0351	112
023.0360	34
023.0361	35
023.0362	35
023.0370	58
023.0371	58
023.0372	58
023.0373	59
023.0390	109
023.0391	109
023.0408	105
023.0409	106
023.0410	107
023.0411	112
023.0412	113
023.0448	76
023.0449	37
023.0450	112
023.0451	112
023.0452	113
023.0459	105
023.0460	106
023.0487	110
023.0488	110
023.0489	110
023.0491	98
023.0492	117
023.0493	99
023.0498	105
023.0499	112
023.0500	76
023.05001	76
023.05002	114
023.0501	77
023.05011	77
023.05012	114
023.0502	77
023.05021	77
023.05022	118
023.05023	114
023.0503	77
023.05031	77
023.05032	118

COD.	PAG.
023.0504	72
023.0505	72
023.0543	46
023.0548	95
023.0549	95
023.0550	34
023.0551	35
023.0552	35
023.0556	76
023.0557	37
023.0563	94
023.0564	94
023.0565	94
023.0570	94
023.0571	94
023.0572	94
023.0573	94
023.0574	94
023.0575	94
023.0580	35
023.0581	35
023.0582	35
023.0590	36
023.0591	36
023.0600	34
023.0601	35
023.0602	35
023.0606	34
023.0607	35
023.0608	35
023.0610	94
023.0611	94
023.0612	94
023.0615	94
023.0616	94
023.0617	94
023.0620	94
023.0621	94
023.0622	94
023.0625	95
023.0626	95
023.0627	95
023.0628	95
023.0630	96
023.0631	96
023.0632	96
023.0633	95
023.0634	95
023.0635	95
023.0636	95
023.0637	95
023.0638	95
023.0640	96
023.0641	96
023.0642	96
023.0643	96
023.0644	95
023.0645	94
023.0646	96
023.0647	95
023.0648	94
023.0649	94
023.0650	36

INDEX

COD.	PAG.
023.0651	36
023.0652	36
023.0656	38
023.0657	38
023.0658	5
023.0660	37
023.0661	80
023.0662	81
023.0663	81
023.0664	80
023.0665	50
023.0666	51
023.0681	97
023.0683	97
023.0685	97
023.0694	34
023.0699	46
023.0700	36
023.0701	36
023.0702	36
023.0703	50
023.0704	51
023.07041	51
023.0800	34
023.0801	35
023.0802	35
023.0803	36
023.0804	36
023.0806	95
023.0807	95
023.0808	94
023.0809	94
023.0810	94
023.0820	57
023.0821	57
023.0822	57
023.0850	71
023.0851	71
023.0852	71
023.0853	71
023.0854	71
023.0855	71
023.0856	71
023.1000	98
023.1001	98
023.1002	98
023.1003	98
023.1004	21
023.1005	110
023.1006	117
023.1007	99
023.1008	110
023.1009	99
023.1010	110
023.1011	117
023.1012	99
023.1013	100
023.1014	101
023.1015	102
023.1016	105
023.1019	104
023.1030	110
023.1031	110

ÍNDICE

COD.	PAG.
023.1032	110
023.1033	111
023.1034	111
023.1035	111
023.1036	114
023.1037	114
023.1038	114
023.1039	112
023.1040	112
023.1041	112
023.1042	115
023.1043	115
023.1044	115
023.1045	116
023.1046	116
023.1047	116
023.1080	117
023.1081	117
023.1082	118
023.1083	119
023.1085	119
023.1086	119
023.1090	104
023.1091	104
023.1101	102
023.1102	103
023.1103	96
023.1104	110
023.1105	110
023.1106	104
023.1518	76
023.1519	37
023.1523	96
023.1524	109
023.1525	109
023.1526	109
023.1527	109
023.1528	109
023.1529	109
023.1530	109
023.1531	109
023.1532	109
023.1533	109
023.1534	109
023.1535	109
023.1536	109
023.1537	109
023.1538	109
024.0003	110
024.0004	99
024.0005	118
024.0006	104
029.0024	76
029.0025	37
029.0037	49
041.0271	109
041.0272	109
057.0008	95
057.0013	95
057.0014	95

INDEX

COD.	PAG.
017.0002	106
017.0003	107
017.0004	108
018.0001	110
018.0002	110
018.0003	110
018.0004	110
018.0005	110
018.0006	110
018.0007	110
018.0008	110
018.0009	110
018.0010	111
018.0011	111
018.0012	111
018.0019	114
018.0020	114
018.0021	114
018.1001	120
018.1002	120
018.1003	120
018.1004	120
019.0001	112
019.0002	112
019.0003	112
019.0004	112
019.0005	112
019.0006	112
019.0007	112
019.0008	112
019.0009	112
019.0010	113
019.0011	113
019.0012	113
019.0013	115
019.0014	115
019.0015	115
019.0016	116
019.0017	116
019.0018	116
019.0019	116
019.0020	116
019.0021	116
021.0001	117
021.0002	118
021.0003	119
022.0001	109
022.0002	109
022.0003	109
023.0001	3
023.0002	3
023.0003	4
023.0004	4
023.0005	4
023.0007	21
023.0008	60
023.0009	23
023.0010	23
023.0011	21
023.0012	21
023.0013	5
023.0014	5
023.0015	5

INDEX

COD.	PAG.
023.0017	49
023.0018	49
023.0101	104
023.0200	2
023.0201	2
023.0202	6
023.0205	87
023.0206	87
023.0207	47
023.0209	47
023.0210	46
023.0211	5
023.0212	6
023.0213	49
023.0214	49
023.0217	89
023.0218	89
023.0300	34
023.0302	39
023.0350	105
023.0351	112
023.0360	34
023.0361	35
023.0362	35
023.0370	58
023.0371	58
023.0372	58
023.0373	59
023.0390	109
023.0391	109
023.0408	105
023.0409	106
023.0410	107
023.0411	112
023.0412	113
023.0448	76
023.0449	37
023.0450	112
023.0451	112
023.0452	113
023.0459	105
023.0460	106
023.0487	110
023.0488	110
023.0489	110
023.0491	98
023.0492	117
023.0493	99
023.0498	105
023.0499	112
023.0500	76
023.05001	76
023.05002	114
023.0501	77
023.05011	77
023.05012	114
023.0502	77
023.05021	77
023.05022	118
023.05023	114
023.0503	77
023.05031	77
023.05032	118

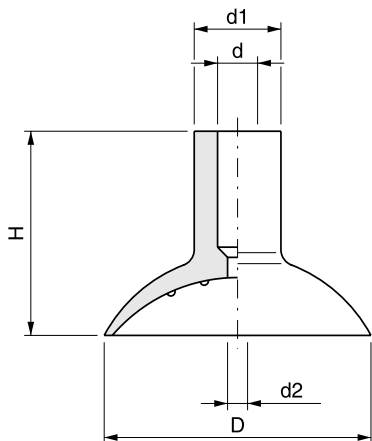
INDEX

COD.	PAG.
023.0504	72
023.0505	72
023.0543	46
023.0548	95
023.0549	95
023.0550	34
023.0551	35
023.0552	35
023.0556	76
023.0557	37
023.0563	94
023.0564	94
023.0565	94
023.0570	94
023.0571	94
023.0572	94
023.0573	94
023.0574	94
023.0575	94
023.0580	35
023.0581	35
023.0582	35
023.0590	36
023.0591	36
023.0600	34
023.0601	35
023.0602	35
023.0606	34
023.0607	35
023.0608	35
023.0610	94
023.0611	94
023.0612	94
023.0615	94
023.0616	94
023.0617	94
023.0620	94
023.0621	94
023.0622	94
023.0625	95
023.0626	95
023.0627	95
023.0628	95
023.0630	96
023.0631	96
023.0632	96
023.0633	95
023.0634	95
023.0635	95
023.0636	95
023.0637	95
023.0638	95
023.0640	96
023.0641	96
023.0642	96
023.0643	96
023.0644	95
023.0645	94
023.0646	96
023.0647	95
023.0648	94
023.0649	94
023.0650	36

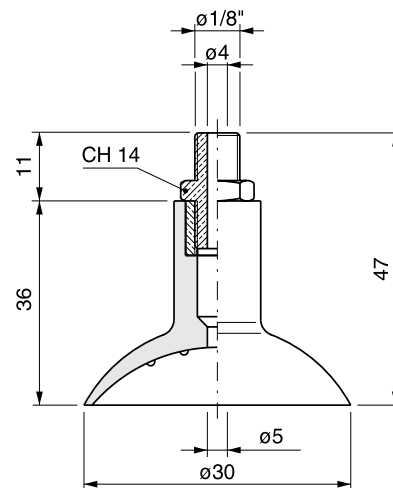
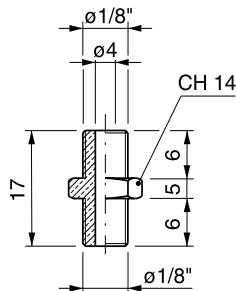
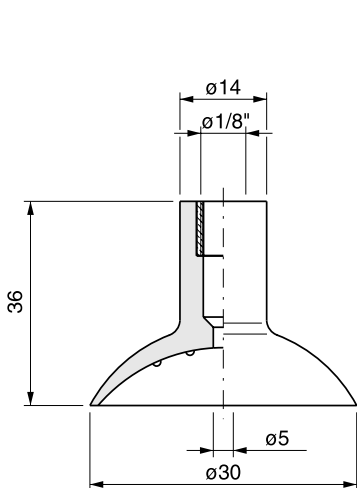
COD.	PAG.
023.0651	36
023.0652	36
023.0656	38
023.0657	38
023.0658	5
023.0660	37
023.0661	80
023.0662	81
023.0663	81
023.0664	80
023.0665	50
023.0666	51
023.0681	97
023.0683	97
023.0685	97
023.0694	34
023.0699	46
023.0700	36
023.0701	36
023.0702	36
023.0703	50
023.0704	51
023.07041	51
023.0800	34
023.0801	35
023.0802	35
023.0803	36
023.0804	36
023.0806	95
023.0807	95
023.0808	94
023.0809	94
023.0810	94
023.0820	57
023.0821	57
023.0822	57
023.0850	71
023.0851	71
023.0852	71
023.0853	71
023.0854	71
023.0855	71
023.0856	71
023.1000	98
023.1001	98
023.1002	98
023.1003	98
023.1004	21
023.1005	110
023.1006	117
023.1007	99
023.1008	110
023.1009	99
023.1010	110
023.1011	117
023.1012	99
023.1013	100
023.1014	101
023.1015	102
023.1016	105
023.1019	104
023.1030	110
023.1031	110

ÍNDICE

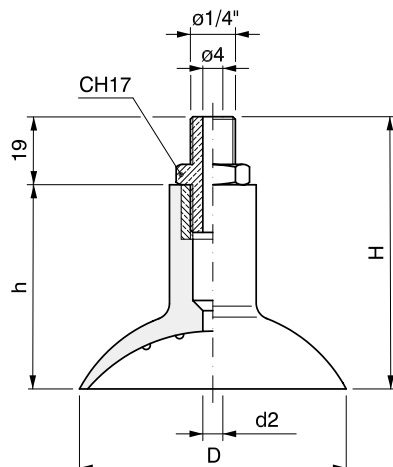
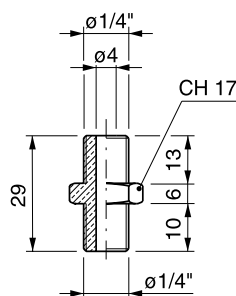
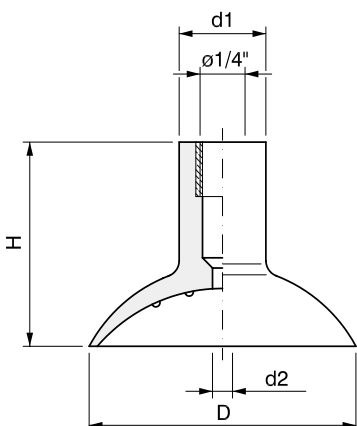
COD.	PAG.
023.1032	110
023.1033	111
023.1034	111
023.1035	111
023.1036	114
023.1037	114
023.1038	114
023.1039	112
023.1040	112
023.1041	112
023.1042	115
023.1043	115
023.1044	115
023.1045	116
023.1046	116
023.1047	116
023.1080	117
023.1081	117
023.1082	118
023.1083	119
023.1085	119
023.1086	119
023.1090	104
023.1091	104
023.1101	102
023.1102	103
023.1103	96
023.1104	110
023.1105	110
023.1106	104
023.1518	76
023.1519	37
023.1523	96
023.1524	109
023.1525	109
023.1526	109
023.1527	109
023.1528	109
023.1529	109
023.1530	109
023.1531	109
023.1532	109
023.1533	109
023.1534	109
023.1535	109
023.1536	109
023.1537	109
023.1538	109
024.0003	110
024.0004	99
024.0005	118
024.0006	104
029.0024	76
029.0025	37
029.0037	49
041.0271	109
041.0272	109
057.0008	95
057.0013	95
057.0014	95



Cod.	D	d	d1	d2	H
003.0001	30	9	14	5	36
003.0002	42	12	18	5	37
003.0003	50	12	20	6	40
003.0004	60	12	22	6	42
003.0005	80	12	26	6	45
003.0006	100	12	28	6	50



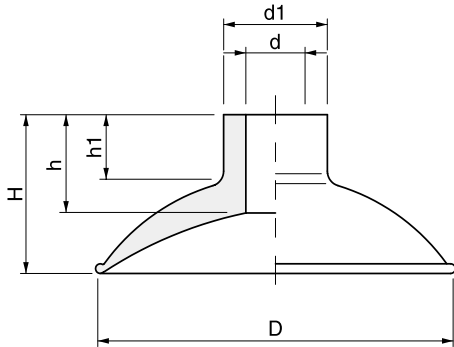
004.0001 + 023.0201 = 005.0001



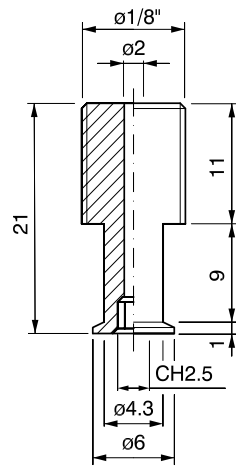
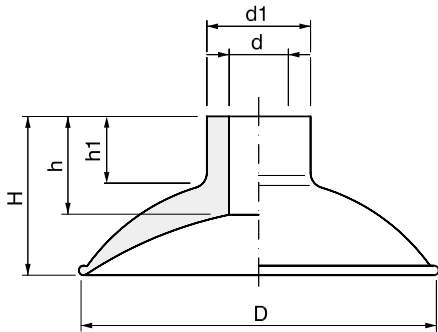
Cod.	D	d1	d2	H
004.0002	42	18	5	37
004.0003	50	20	6	40
004.0004	60	22	6	42
004.0005	80	26	6	45
004.0006	100	28	6	50

+ 023.0200 =

Cod.	D	d2	H	h
005.0002	42	5	56	37
005.0003	50	6	59	40
005.0004	60	6	61	42
005.0005	80	6	64	45
005.0006	100	6	69	50

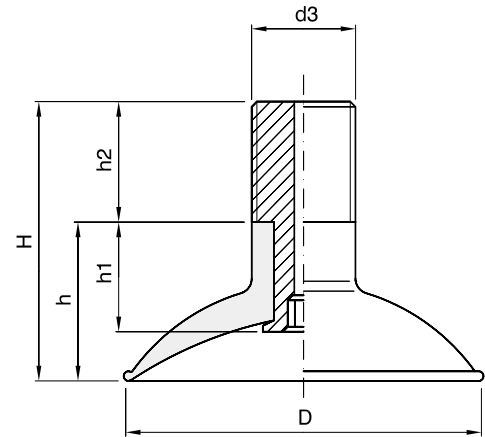


Cod.	D	d	d1	H	h	h1
003.0059	4	1	3	8	7.3	6.7
003.0030	6	1.5	3	8	7	6
003.0007	8	3	5	8	7	6
003.0008	10	4	8	11	9	8
003.0065	15	4	8	10	7.5	6
003.0012	20	4	8	13	10	8.5
003.0013	25	6	12	8	3.5	2
003.0015	30	6	12	8	3.5	2
003.0017	35	6	12	8	3.5	2

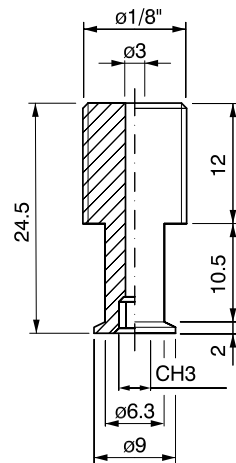
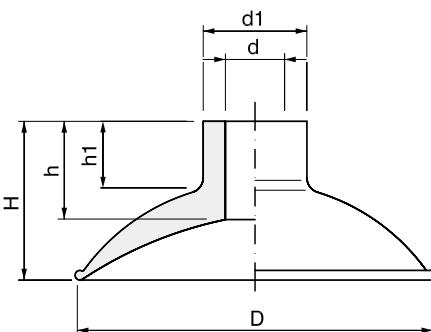


Cod.	D	d	d1	H	h	h1
003.0009	12	4	8.5	11	9	8
003.0010	15	4	8	12	10	8
003.0011	18	4	8	12	9	8
003.0031	22	4	8	13	10	8

+ 023.0001 =

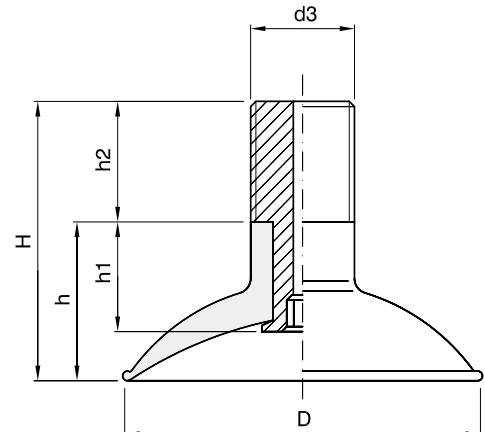


Cod.	D	d3	H	h	h1	h2
005.0019	12	1/8"	22	11	10	11
005.0020	15	1/8"	22	12	10	11
005.0021	18	1/8"	23	12	10	11
005.0022	22	1/8"	23	13	10	11



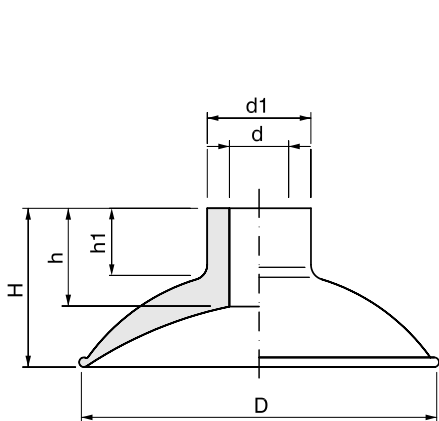
Cod.	D	d	d1	H	h	h1
003.0014	25	6	12	15	11.5	10
003.0016	30	6	12	16	11.5	10

+ 023.0002 =

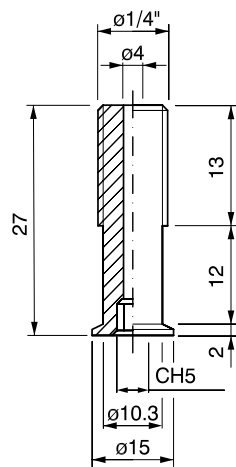


Cod.	D	d3	H	h	h1	h2
005.0007	25	1/8"	27	15	12.5	12
005.0008	30	1/8"	28	16	12.5	12

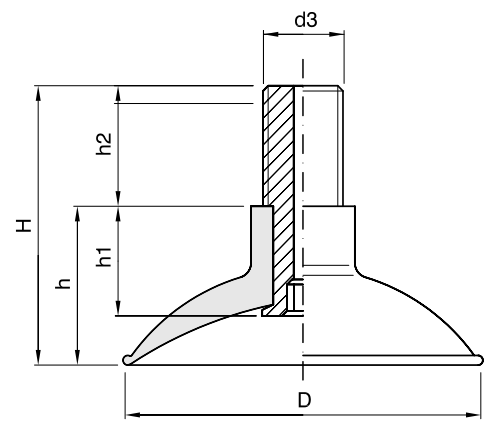




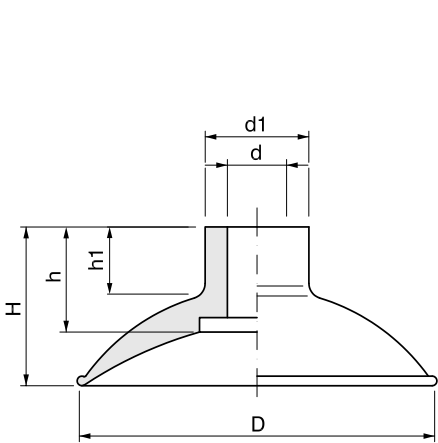
Cod.	D	d	d1	H	h	h1
003.0018	35	10	15	17	11.5	9
003.0064	40	10	15	20	9	5
003.0019	45	10	15	18	13	9



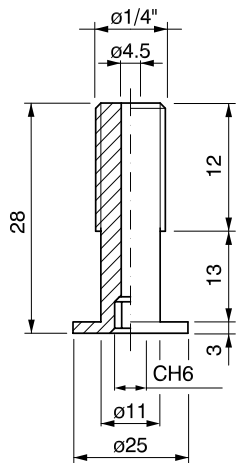
+ 023.0003 =



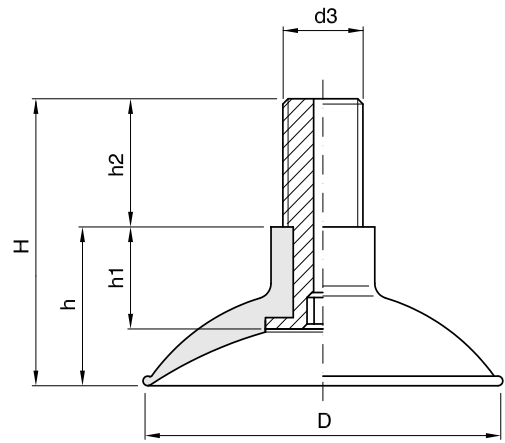
Cod.	D	d3	H	h	h1	h2
005.0009	35	1/4"	30	17	14	13
005.0033	40	1/4"	34	20	14	14
005.0010	45	1/4"	31	18	14	13



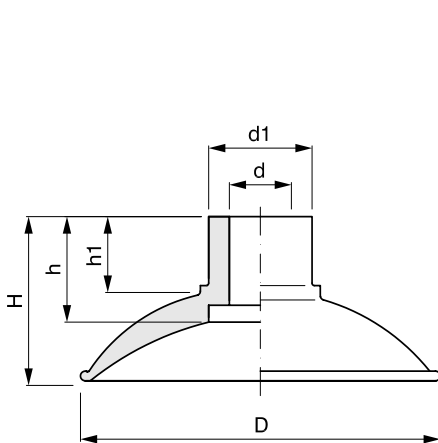
Cod.	D	d	d1	H	h	h1
003.0045	60	10	15	24	15	6
003.0020	65	10	15	24	13	7
003.0039	65	10	15	23	13	3



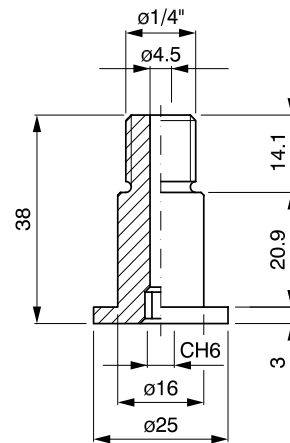
+ 023.0004 =



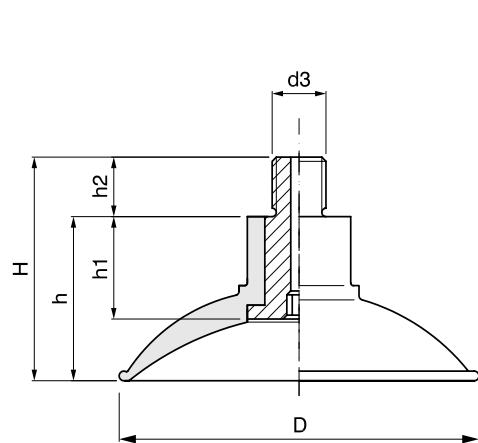
Cod.	D	d3	H	h	h1	h2
005.0028	60	1/4"	38	24	13	14
005.0011	65	1/4"	38	24	16	12
005.0029	65	1/4"	40	23	13	16



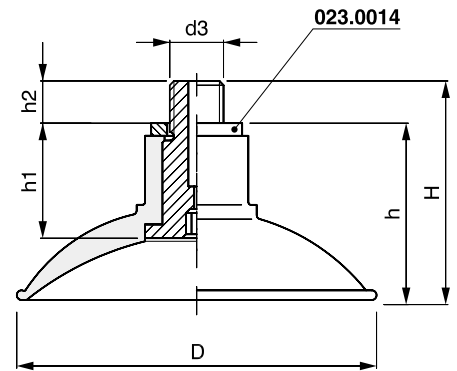
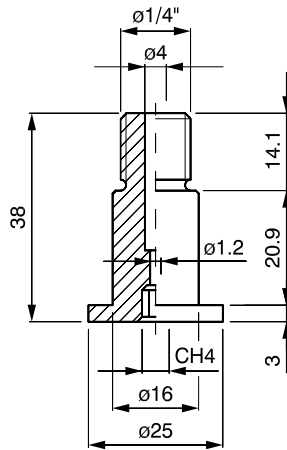
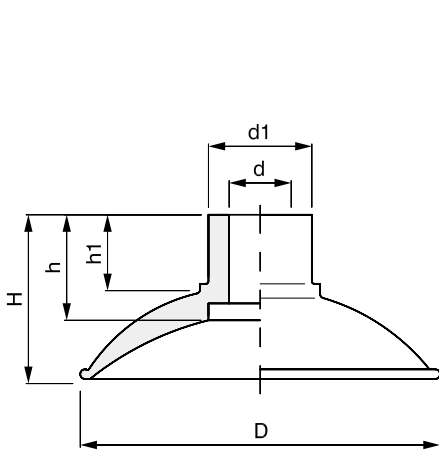
Cod.	D	d	d1	H	h	h1
003.0021	87	15	25	40	27	19



+ 023.0005 =



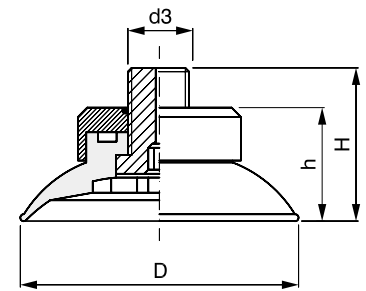
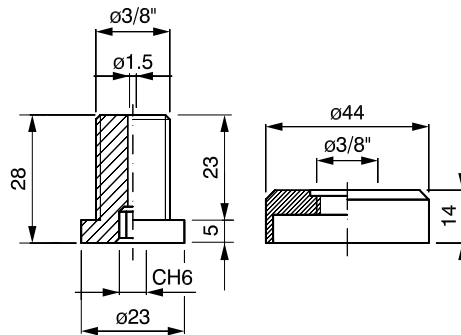
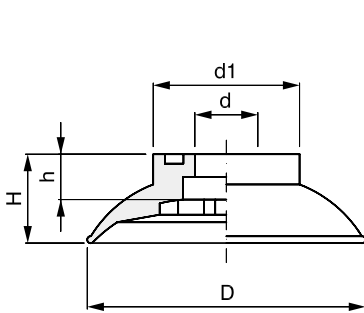
Cod.	D	d3	H	h	h1	h2
005.0012	87	1/4"	53	40	23.9	14.1



Cod.	D	d	d1	H	h	h1
003.0021	87	15	25	40	27	19

+ 023.0013 =

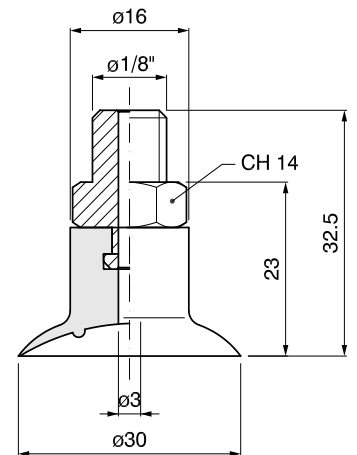
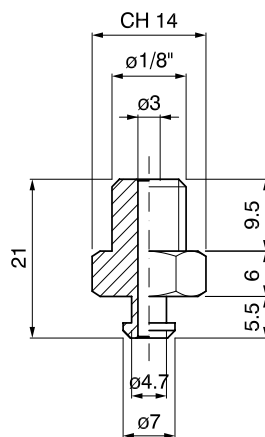
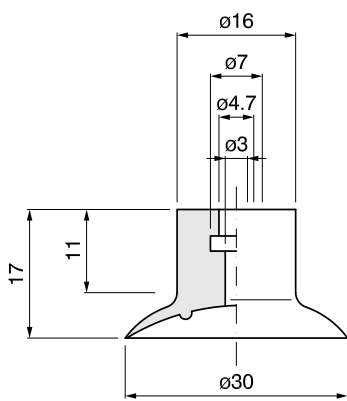
Cod.	D	d3	H	h	h1	h2
005.0026	87	1/4"	53	43	28	10



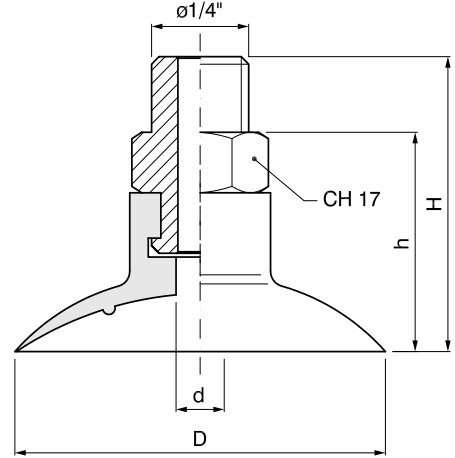
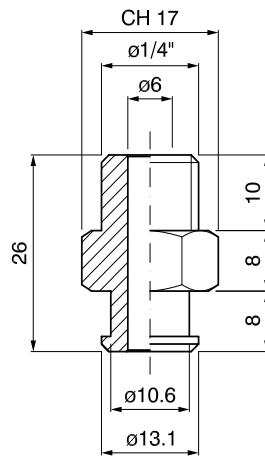
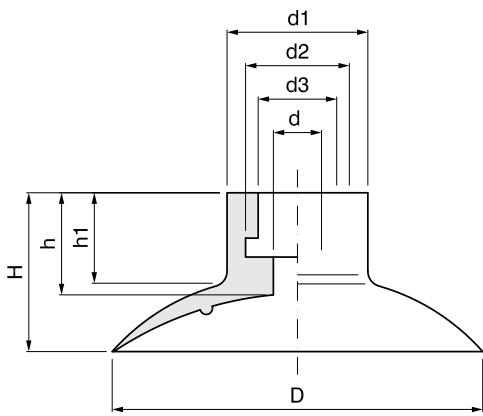
Cod.	D	d	d1	H	h
003.0042	75	17	40	23.5	12

+ 023.0015 + 023.0658 =

Cod.	D	d3	H	h
005.0027	75	3/8"	40.5	30.5



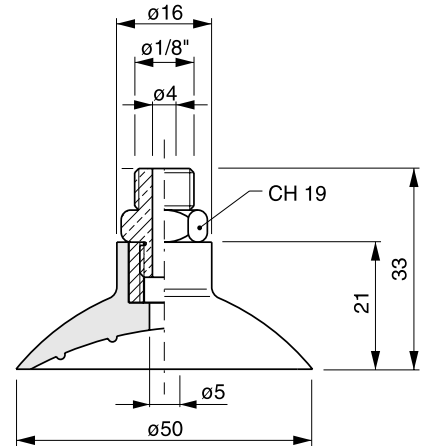
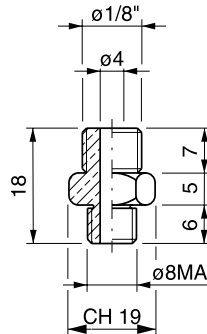
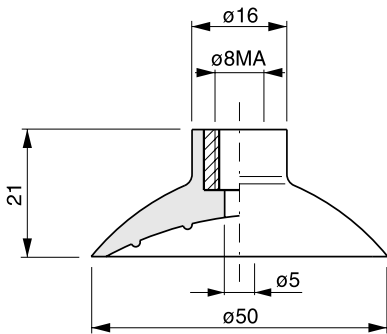
003.0060 + 023.0211 = 005.0030



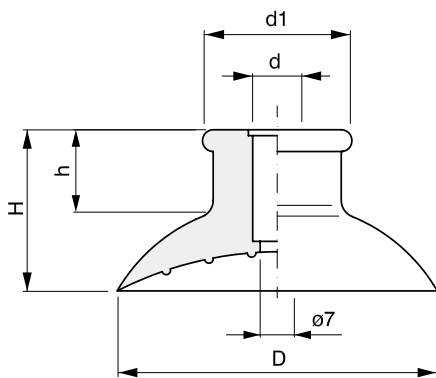
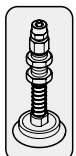
Cod.	D	d	d1	d2	d3	H	h	h1
003.0061	40	6	18,5	13	10	16	10	9
003.0062	50	6	19	13	10	21	14	12

+ 023.0212 =

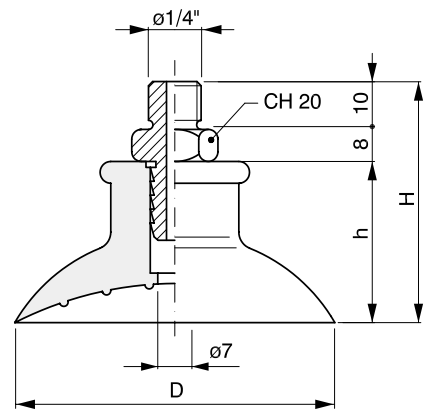
Cod.	D	d	H	h
005.0032	40	6	35	25
005.0031	50	6	39	29



004.0007 + 023.0202 = 005.0013

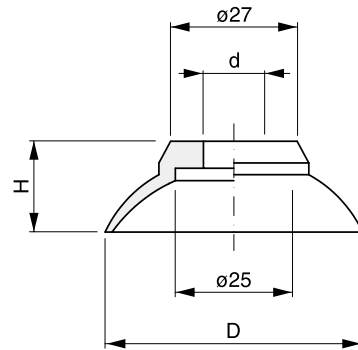
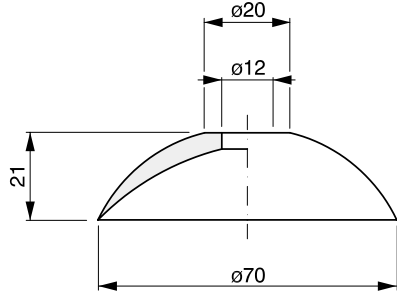


Cod.	D	d	d1	H	h
003.0023	52	10	28	32	15
003.0022	75	11.5	35	37	17



Cod.	D	H	h
005.0023	52	48	32
005.0024	75	55	37

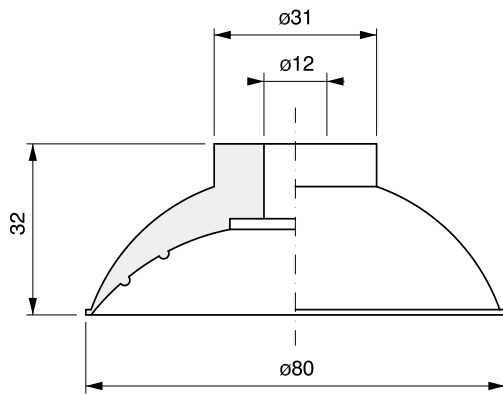
003.0024



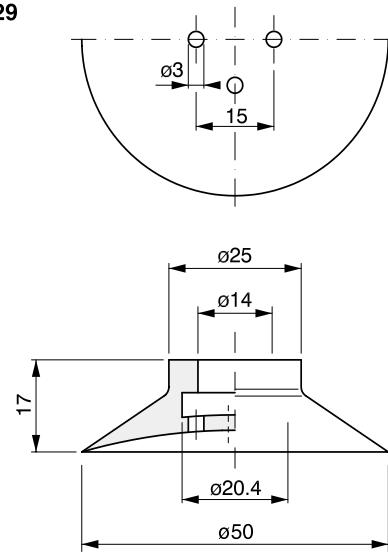
Cod.	D	d	H
003.0025	55	13	19
003.0026	55	13	15



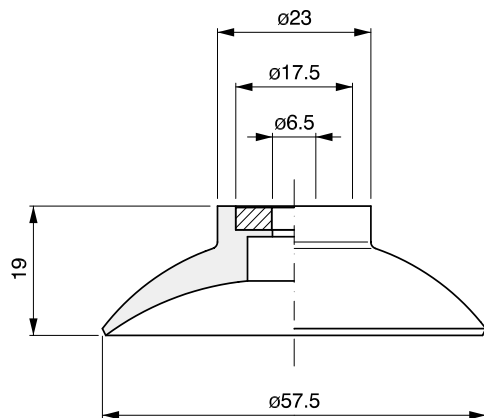
003.0028



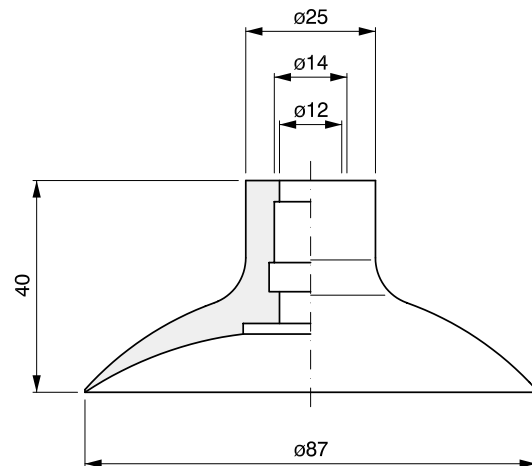
003.0029



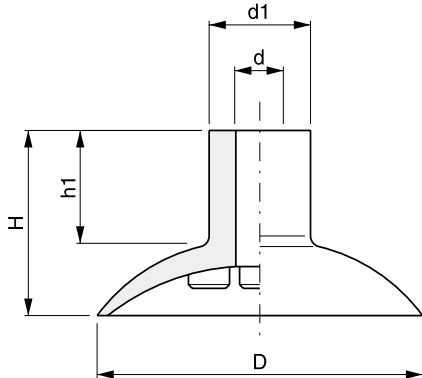
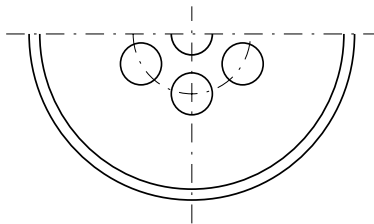
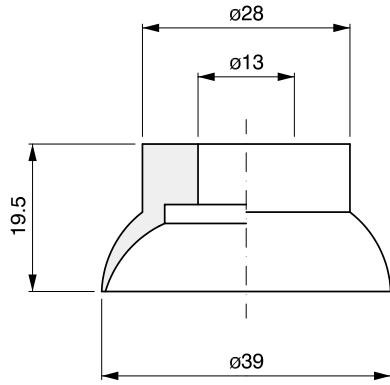
003.0033



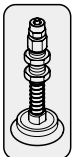
003.0034



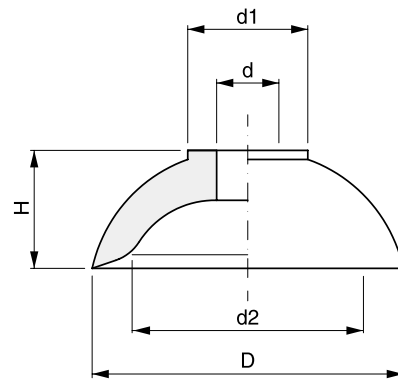
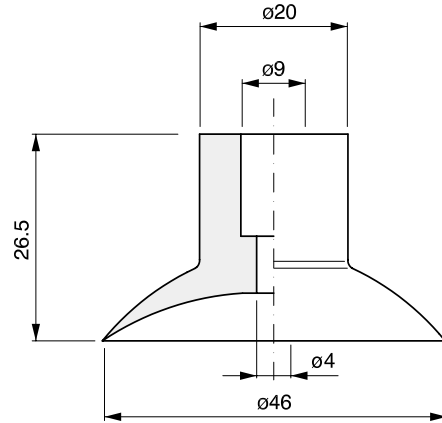
003.0035



Cod.	D	d	d1	H	h1
003.0043	48	9	19	30.5	20
003.0037	61	9	19	34	21

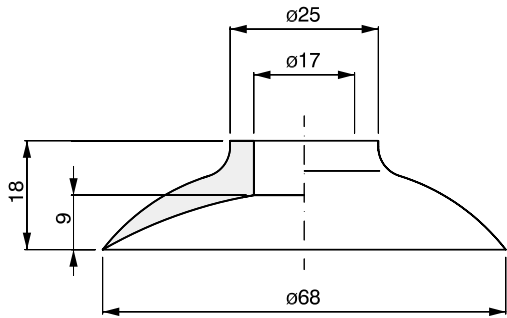


003.0036

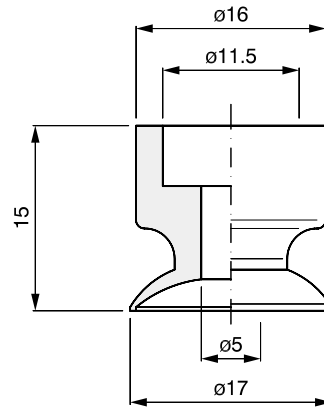


Cod.	D	d	d1	d2	H
003.0027	35	8	13	26	10
003.0038	35	7	13.5	26	12
003.0047	35	7	13.5	26	12.5

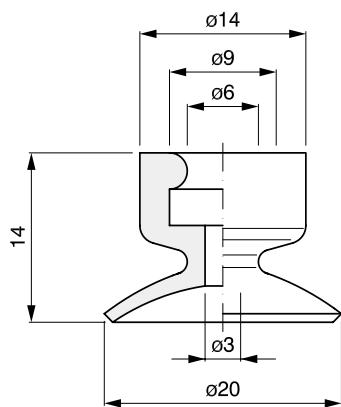
003.0041



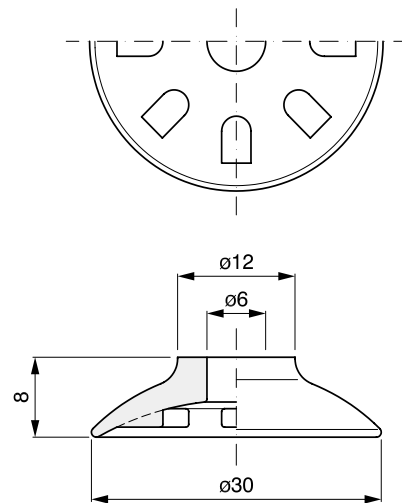
003.0044



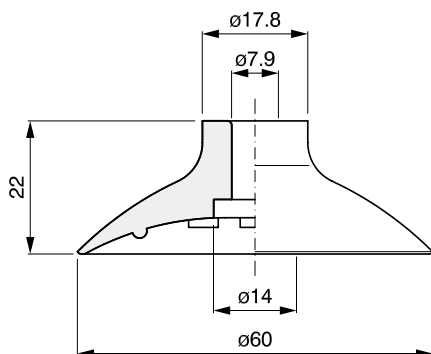
003.0046



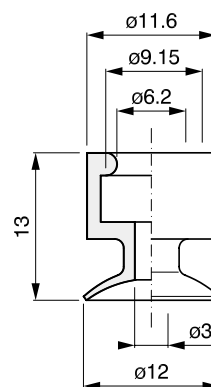
003.0049



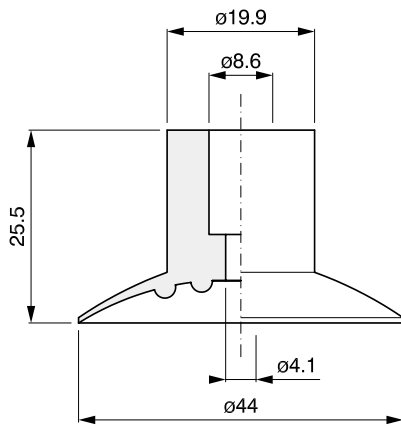
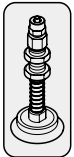
003.0054



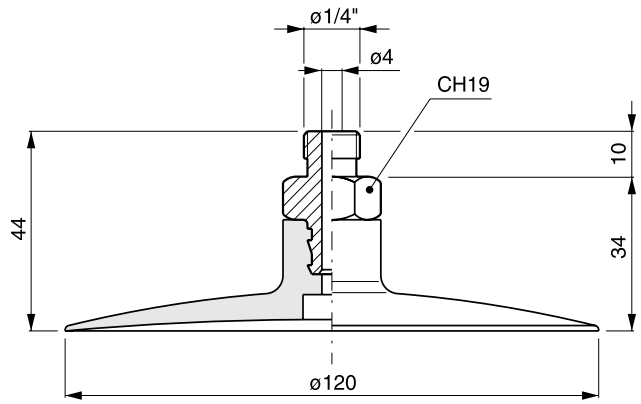
003.0057



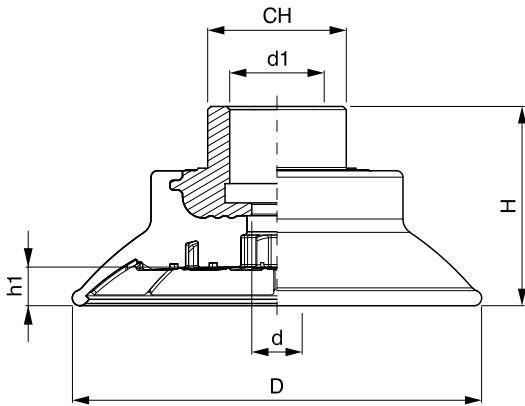
003.0058



005.0025



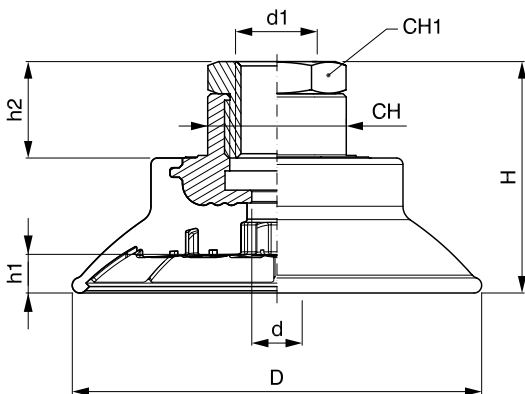
A



Cod.	D	d	d1	H	h1	CH
004.0008	35	6	1/4"	20	3	17
004.0009	45	6	1/4"	22	4	17
004.0010	55	8	3/8"	28	5	22
004.0011	65	8	3/8"	31	6	22
004.0012	85	8	3/8"	35	7.6	22
004.0013	105	8	3/8"	36	10	22
004.0014	135	10	3/8"	43	12.3	22



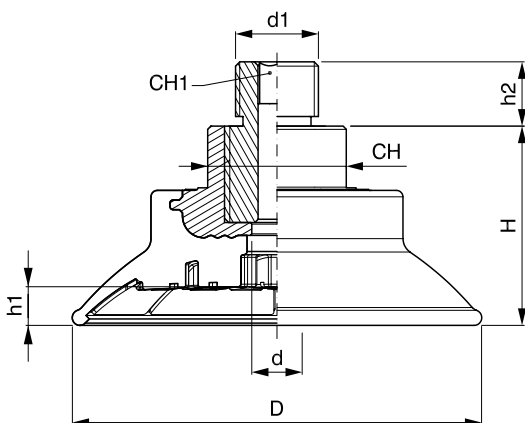
B



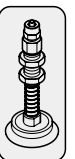
Cod.	D	d	d1	H	h1	h2	CH	CH1
004.0017	35	6	3/8"	36	3	9	17	22
004.0018	45	6	3/8"	38	4	9	17	22
004.0019	55	8	1/4"	33	5	15	22	19
004.0020	65	8	1/4"	36	6	15	22	19
004.0021	85	8	1/4"	40	7.6	15	22	19
004.0015	105	8	1/4"	41	10	15	22	19
004.0022	135	10	1/4"	48	12.3	15	22	19



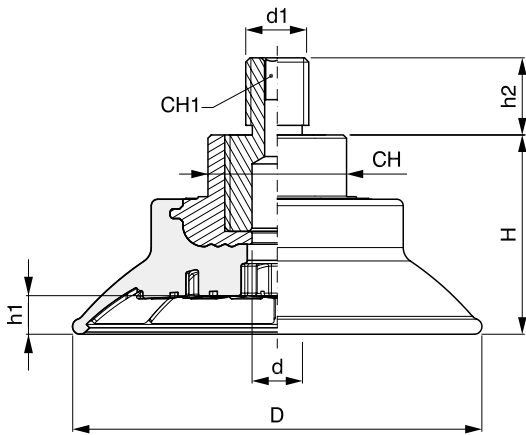
C



Cod.	D	d	d1	H	h1	h2	CH	CH1
005.0038	35	6	1/4"	20	3	10	17	6
005.0039	45	6	1/4"	22	4	10	17	6
005.0040	55	8	1/4"	28	5	10	22	6
005.0041	65	8	1/4"	31	6	10	22	6
005.0042	85	8	1/4"	35	7.6	10	22	6
005.0035	105	8	1/4"	36	10	10	22	6
005.0043	135	10	1/4"	43	12.3	10	22	6

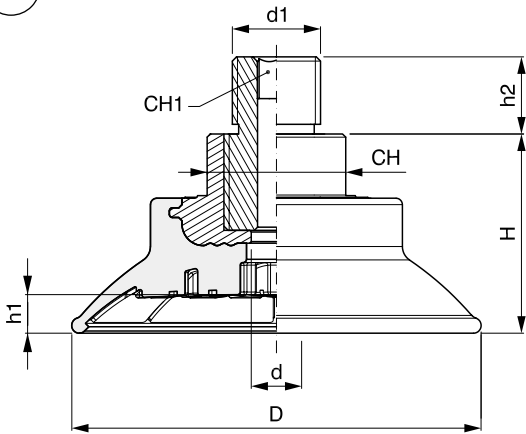


D



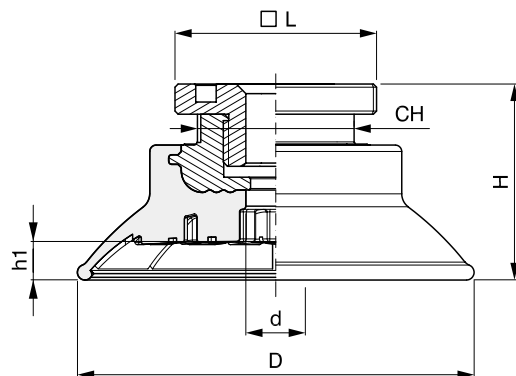
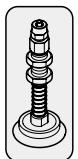
Cod.	D	d	d1	H	h1	h2	CH	CH1
005.0044	35	6	M10	20	3	12	17	4
005.0045	45	6	M10	22	4	12	17	4
005.0046	55	8	M10	28	5	12	22	4
005.0047	65	8	M10	31	6	12	22	4
005.0048	85	8	M10	35	7.6	12	22	4
005.0036	105	8	M10	36	10	12	22	4
005.0049	135	10	M10	43	12.3	12	22	4

E



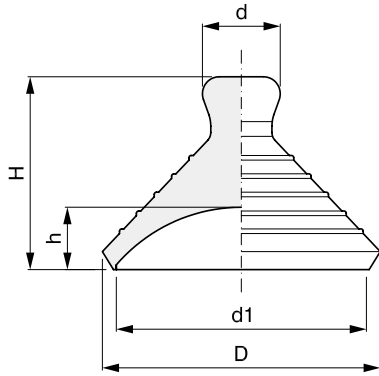
Cod.	D	d	d1	H	h1	h2	CH	CH1
005.0050	35	6	M14x1.5	20	3	12	17	6
005.0051	45	6	M14x1.5	22	4	12	17	6
005.0052	55	8	M14x1.5	28	5	12	22	6
005.0053	65	8	M14x1.5	31	6	12	22	6
005.0054	85	8	M14x1.5	35	7.6	12	22	6
005.0037	105	8	M14x1.5	36	10	12	22	6
005.0055	135	10	M14x1.5	43	12.3	12	22	6

F



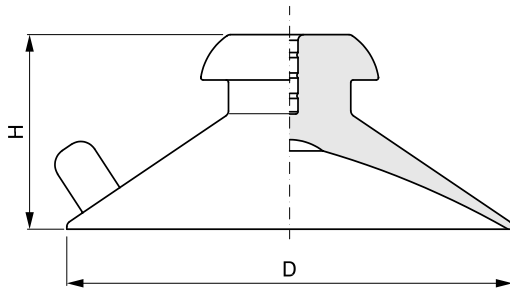
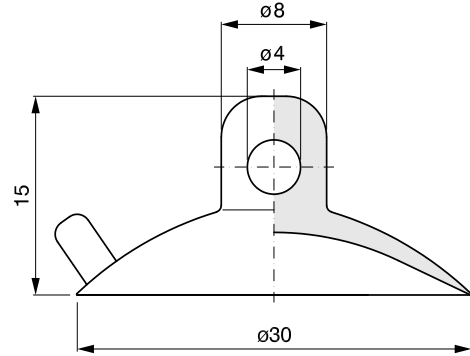
Cod.	D	d	H	h1	L	CH
004.0023	35	6	23.2	3	32	17
004.0024	45	6	28	4	32	17
004.0025	55	8	27.5	5	32	22
004.0026	65	8	30.5	6	32	22
004.0027	85	8	34.5	7.6	32	22
004.0016	105	8	35.5	10	32	22
004.0028	135	10	42.5	12.3	32	22



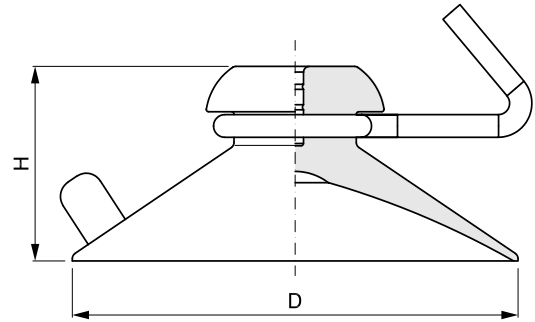


Cod.	D	d	d1	H	h
003.0055	20	6	17.5	15	5.7
003.0056	25	7	22.5	17	5.5

003.0063

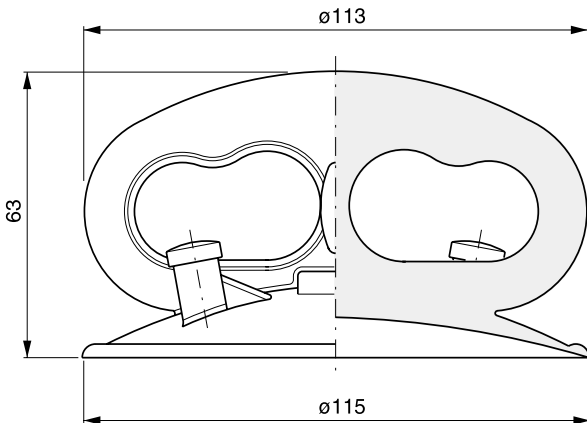
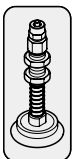


Cod.	D	H
006.0221	40	16
006.0224	51	19

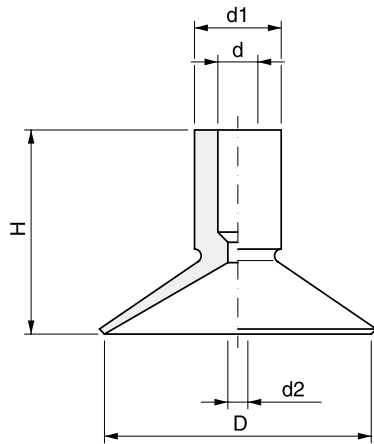


Cod.	D	H
006.02211	40	16
006.02241	51	19

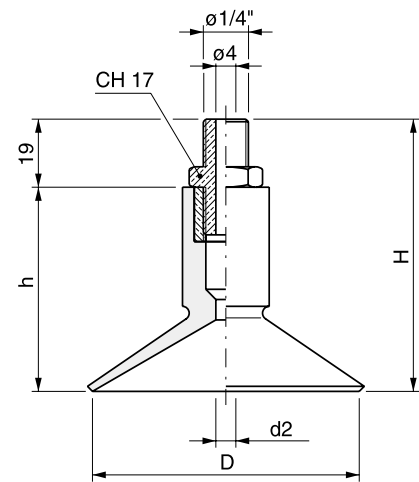
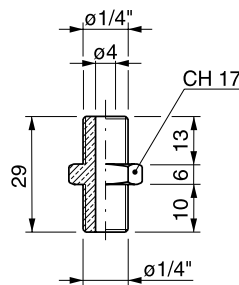
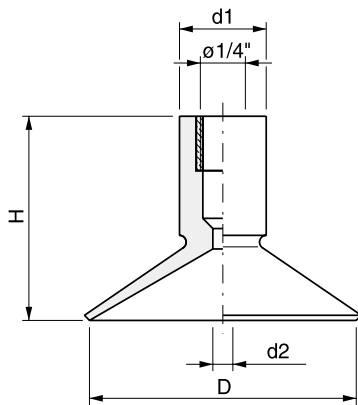
003.0040







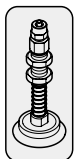
Cod.	D	d	d1	d2	H
006.0087	16	5	8	3	20
006.0001	25	8	12	3.5	30
006.0002	25	8	12	3.5	55
006.0003	30	10	16	6	28
006.0004	30	12	18	5	38
006.0005	40	12	20	5	40
006.0006	50	12	22	6	43
006.0007	60	12	24	6	45
006.0008	80	12	26	6	50



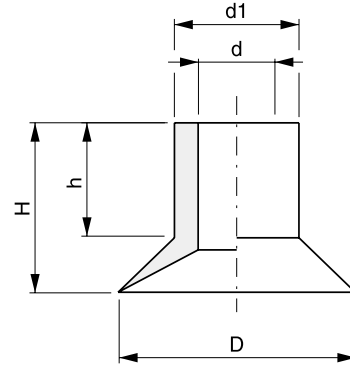
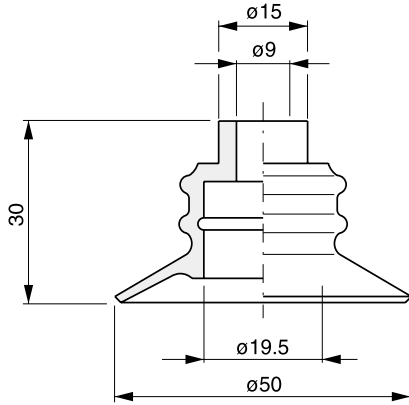
Cod.	D	d1	d2	H
007.0001	30	18	5	38
007.0002	40	20	5	40
007.0003	50	22	6	43
007.0004	60	24	6	45
007.0005	80	26	6	50

+ 023.0200 =

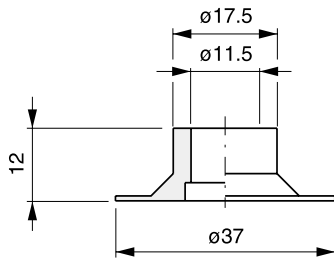
Cod.	D	d2	H	h
008.0001	30	5	57	38
008.0002	40	5	59	40
008.0003	50	6	62	43
008.0004	60	6	64	45
008.0005	80	6	69	50



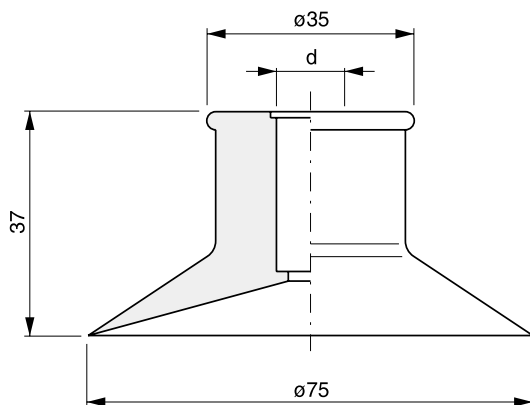
006.0009



006.0011

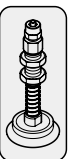
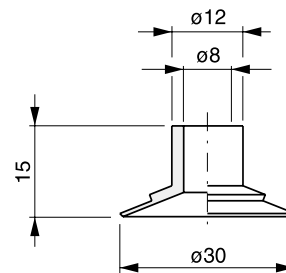


Cod.	D	d	d1	H	h
006.0017	9	3.5	5.5	15	11
006.0039	12	4	8	17.5	12.5
006.0015	16	5.5	10.5	9	5.5
006.0021	17	7	13	14	10.5
006.0024	19	9	15	30	25
006.0027	20	8	13	30	25
006.0068	20	7.5	12	16.5	12
006.0028	25	8	15	30	23
006.0029	25	8	15	18	17
006.0031	30	8	17	20	12.5
006.0014	34	8	15	20	11
006.0010	40	13	21	28	19
006.0177	41	14.5	20.5	28	19.5
006.0138	42	9	14.5	15	5
006.0038	50	8	20	20	10
006.0130	64	7.5	17.5	43	29
006.0212	32	7.5	14.5	36	28



Cod.	d
006.0012	11.5
007.0006	12MA
007.0007	1/4"

006.0013



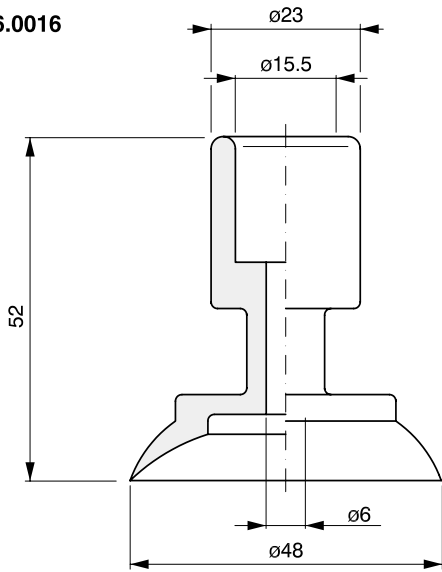
CONICAL SUCKERS

VENTOUSES CONIQUES

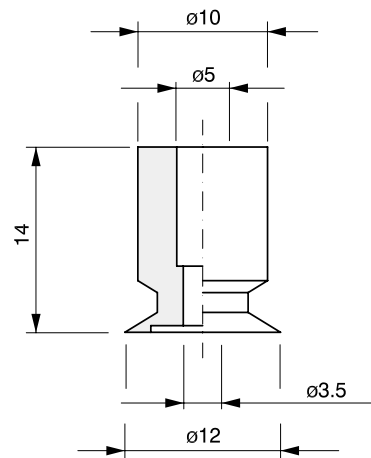
KEGELFORMIGE SAUGER

VENTOSAS CONICAS

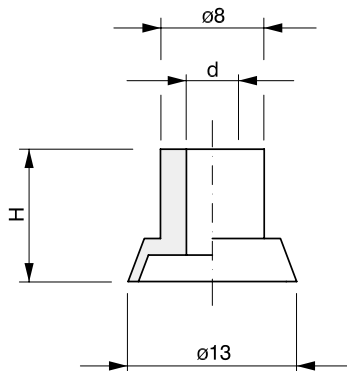
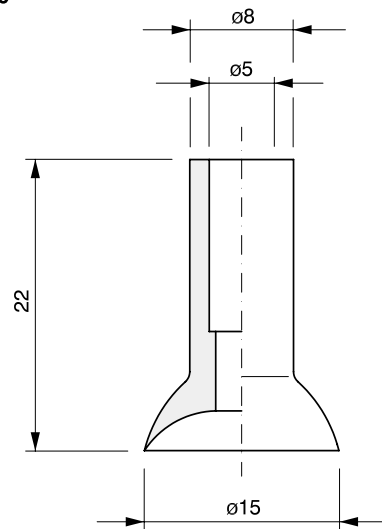
006.0016



006.0018



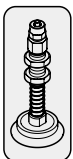
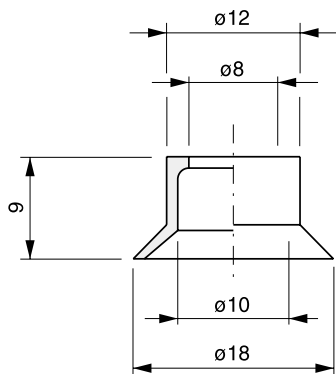
006.0020



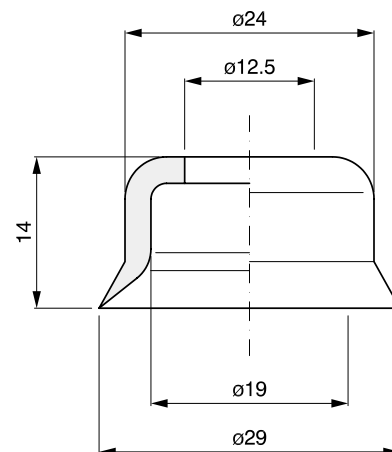
Cod.	d	H
006.0073	2	10
006.0019	4	10
006.0019.01	4	11



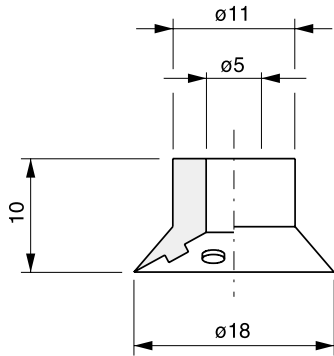
006.0022



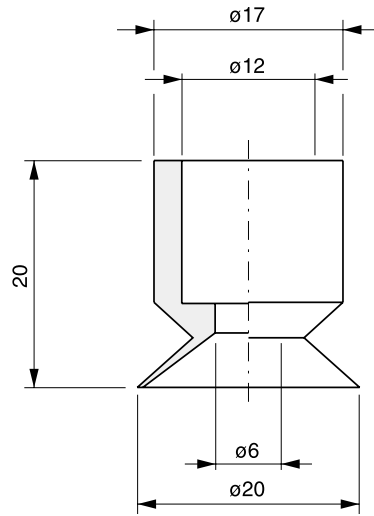
006.0175



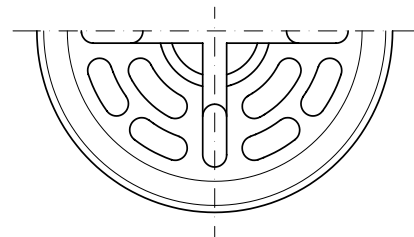
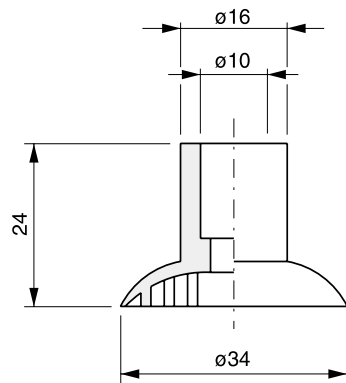
006.0023



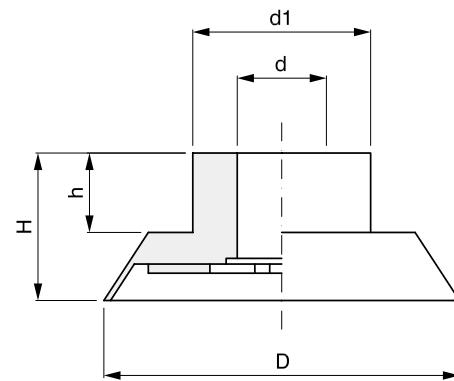
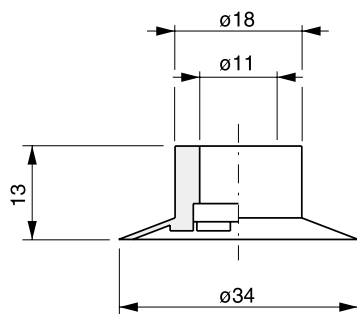
006.0026



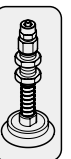
006.0033

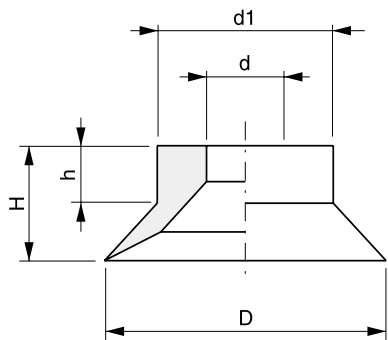


006.0034



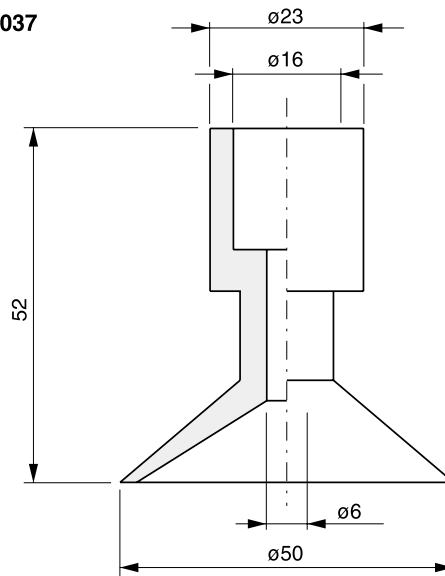
Cod.	D	d	d1	H	h
006.0035	30	11	15	23	19
006.00351	31.5	11	16	24	18
006.0032	32	8	16	13	7
006.0202	33	6,3	17,6	20,5	17,5
006.02021	33	6,3	17,6	8,8	2,8
006.0074	40	8	16	20	15



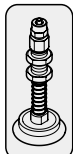
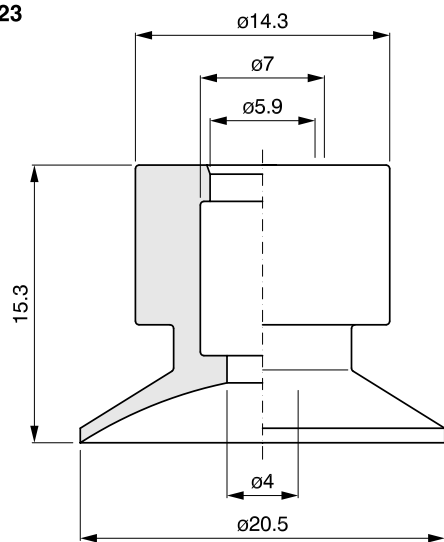


Cod.	D	d	d1	H	h
006.0025	19	6	11	9	5
006.0036	40	11	25	16	8

006.0037



006.0223

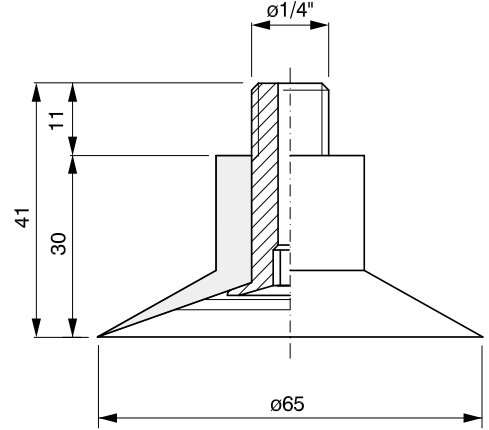
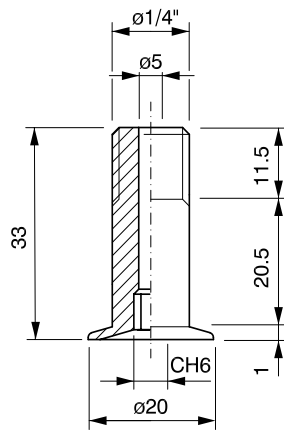
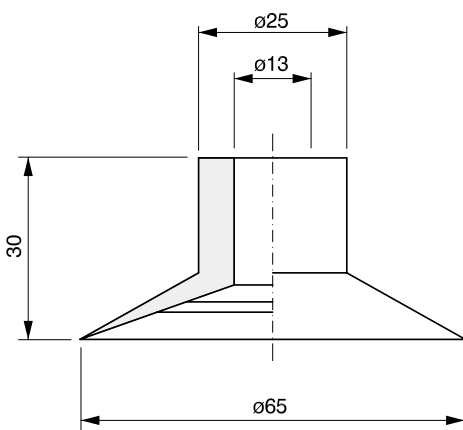


CONICAL SUCKERS

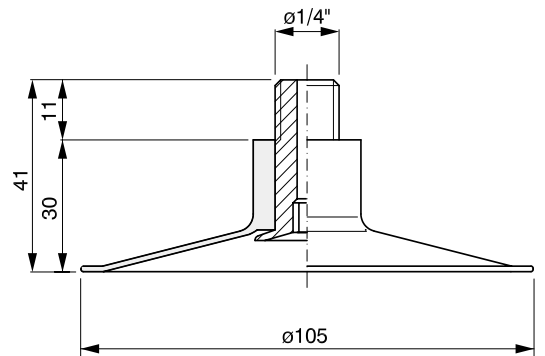
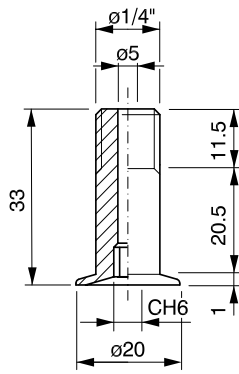
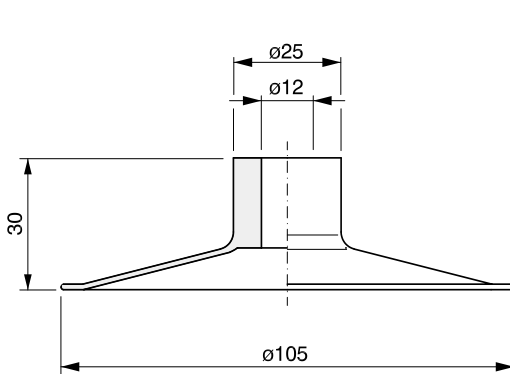
VENTOUSES CONIQUES

KEGELFORMIGE SAUGER

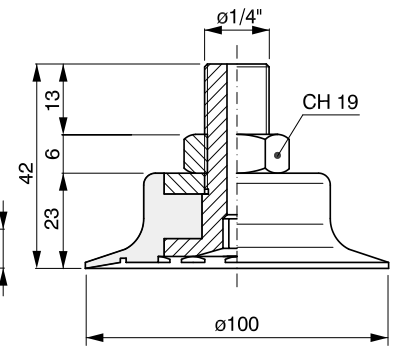
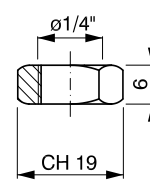
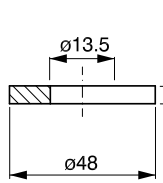
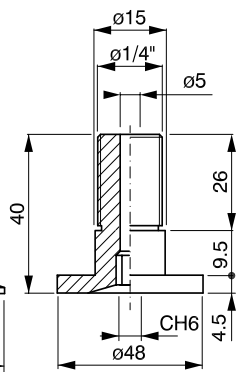
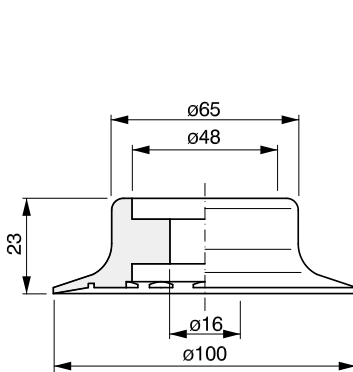
VENTOSAS CONICAS



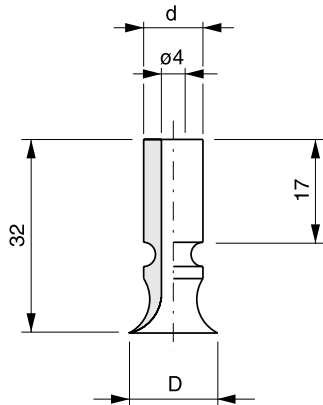
006.0040 + 023.0007 = 008.0026



006.0042 + 023.0007 = 008.0027

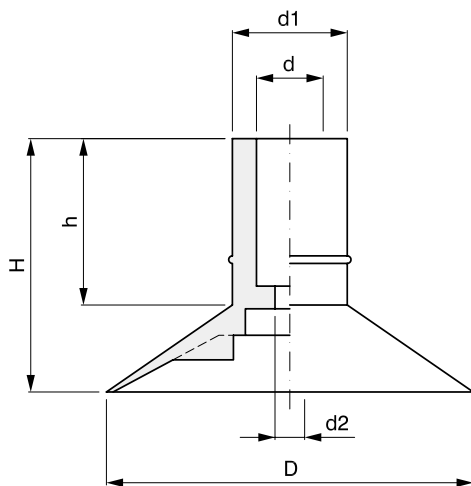
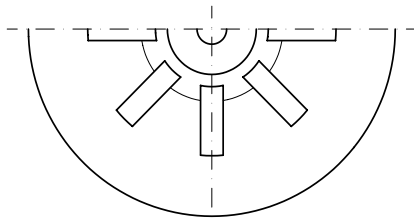
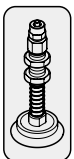
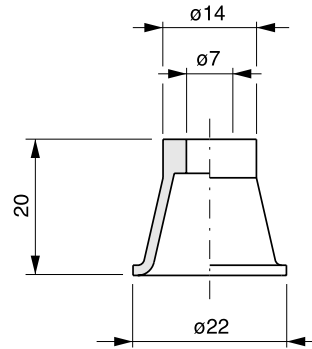


006.0041 + 023.0011 + 023.0012 + 023.1004 = 008.0030



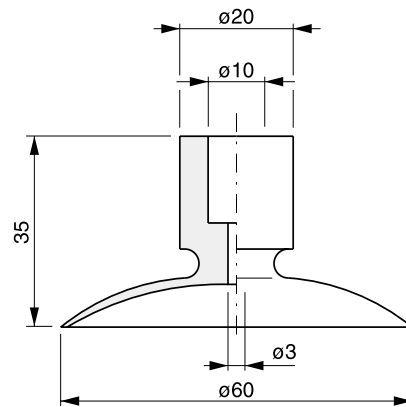
Cod.	d	D
006.0043	10	15
006.0044	12	25

006.0046



Cod.	D	d	d1	d2	H	h
006.0049	45	12	20	8	45	34
006.0047	65	12	20	5	45	30

006.0050



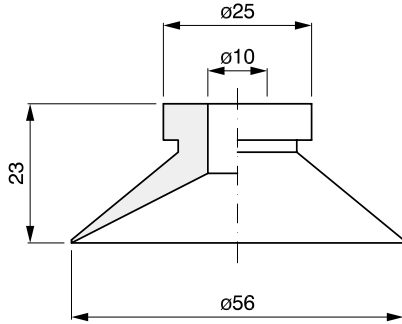
CONICAL SUCKERS

VENTOUSES CONIQUES

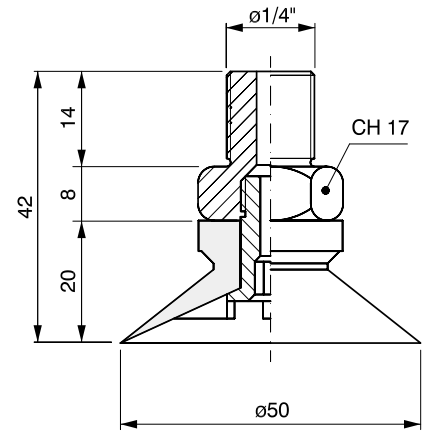
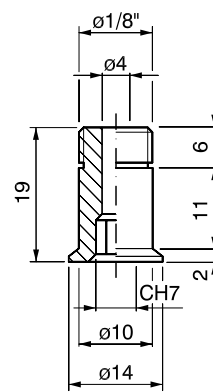
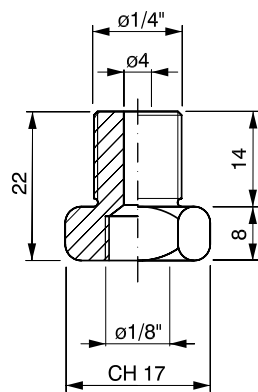
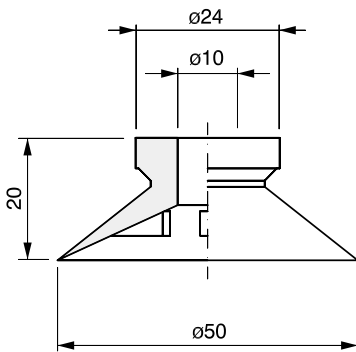
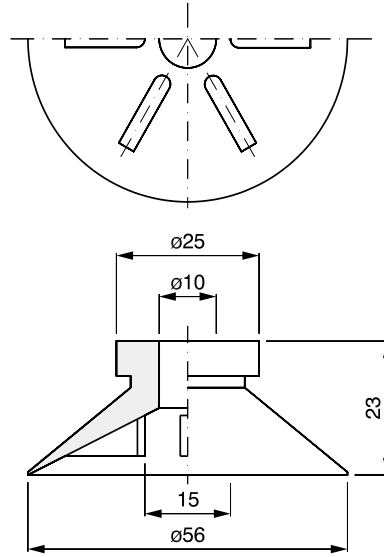
KEGELFORMIGE SAUGER

VENTOSAS CONICAS

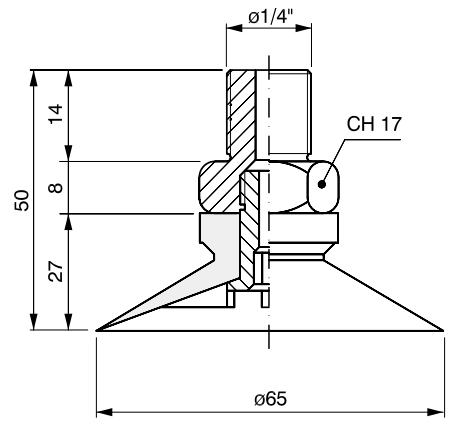
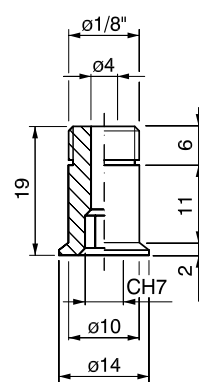
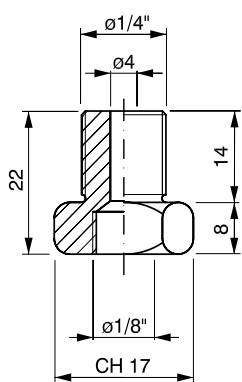
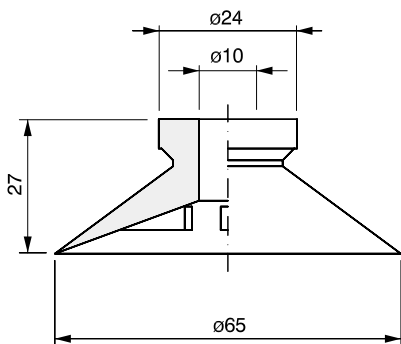
006.0139



006.0140



006.0051 + 023.0010 + 023.0009 = 008.0028



006.0052 + 023.0010 + 023.0009 = 008.0029

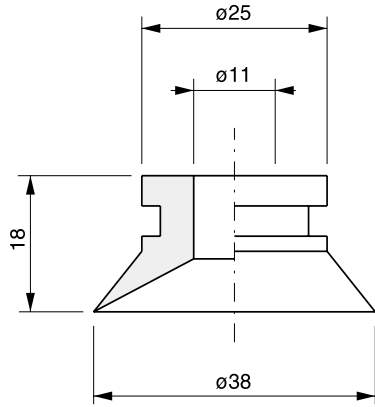
CONICAL SUCKERS

VENTOUSES CONIQUES

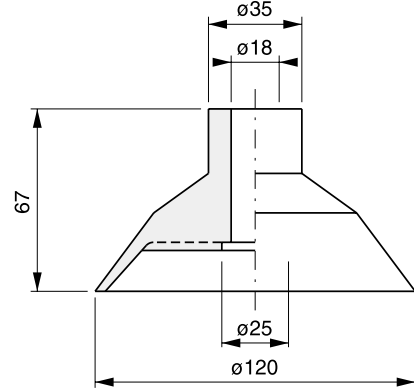
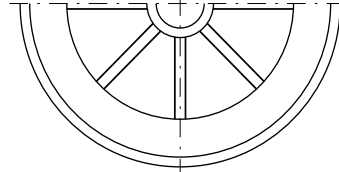
KEGELFORMIGE SAUGER

VENTOSAS CONICAS

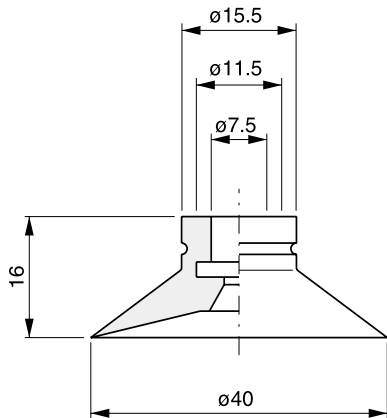
006.0063



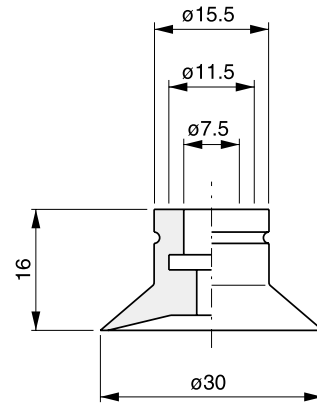
006.0065



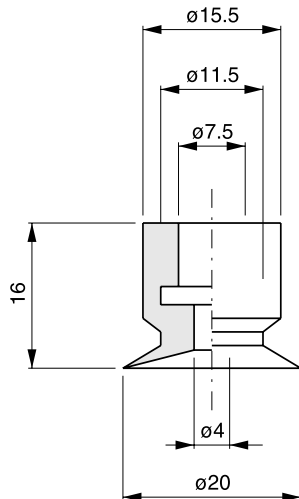
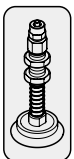
006.0066



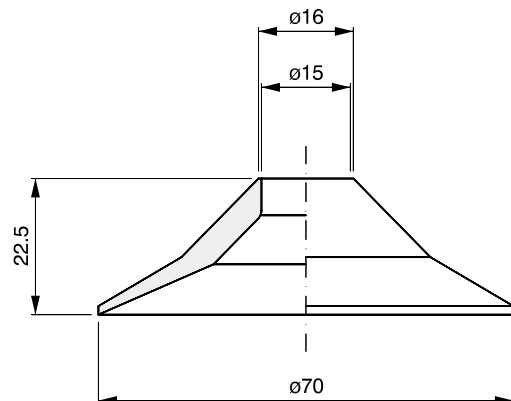
006.0067



006.0070



006.0072



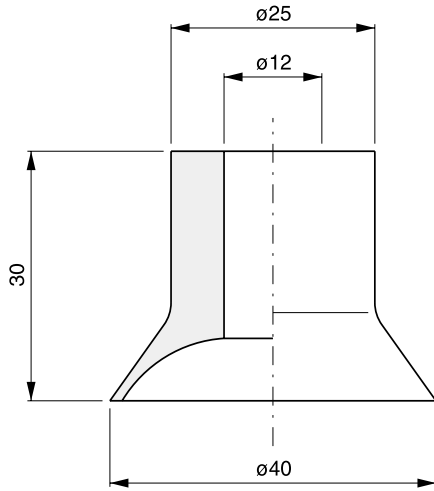
CONICAL SUCKERS

VENTOUSES CONIQUES

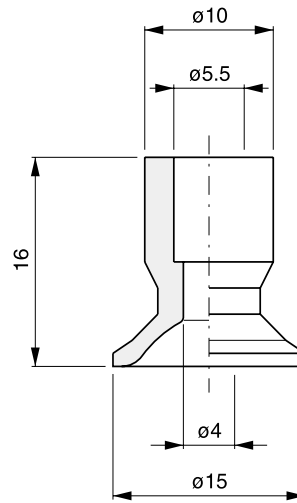
KEGELFORMIGE SAUGER

VENTOSAS CONICAS

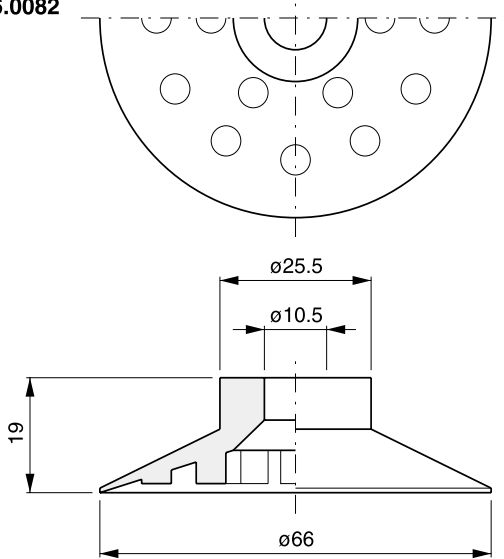
006.0077



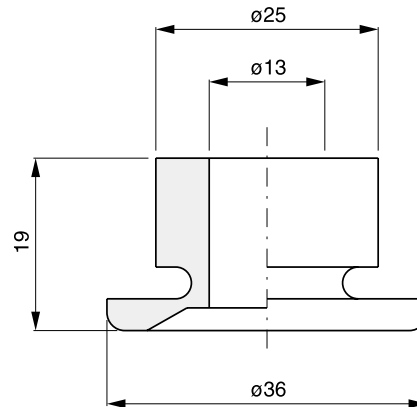
006.0078



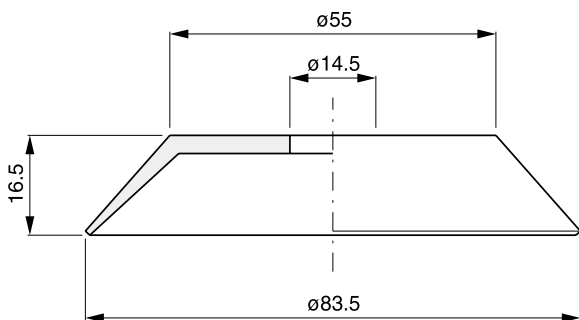
006.0082



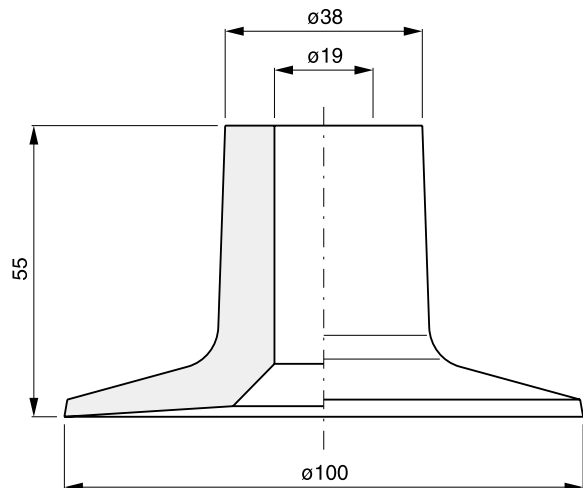
006.0089



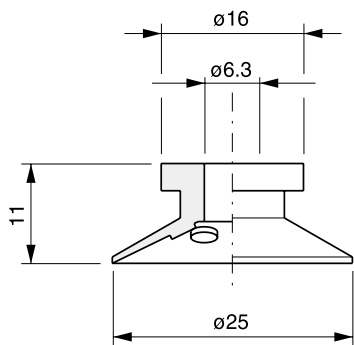
006.0090



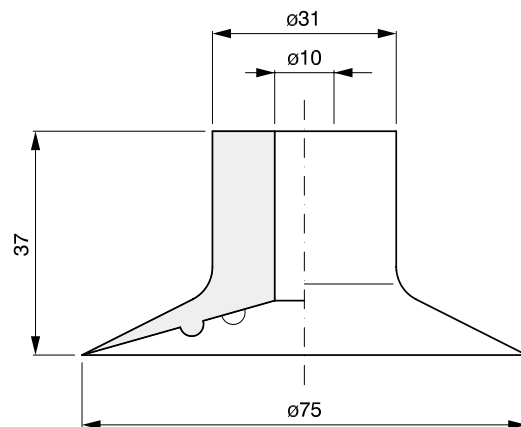
006.0091



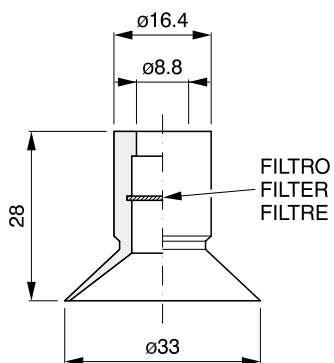
006.0103



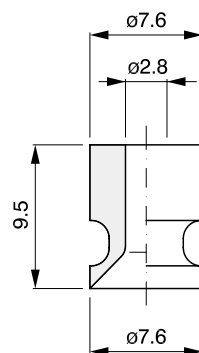
006.0105



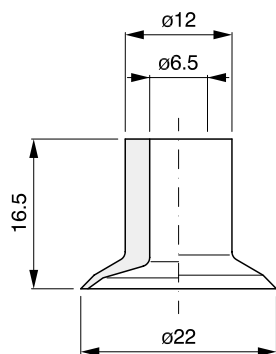
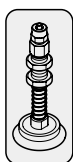
006.0106



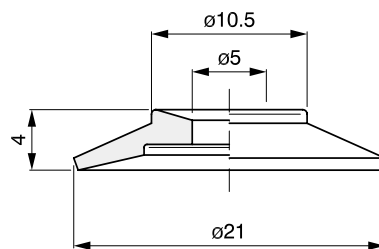
006.0112



006.0113



006.0129



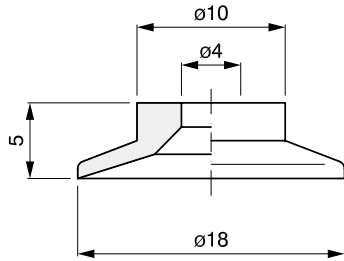
CONICAL SUCKERS

VENTOUSES CONIQUES

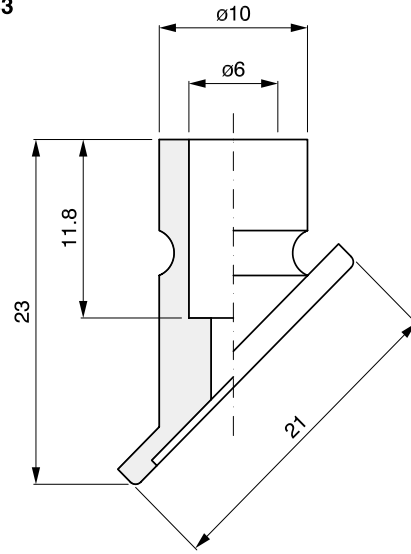
KEGELFORMIGE SAUGER

VENTOSAS CONICAS

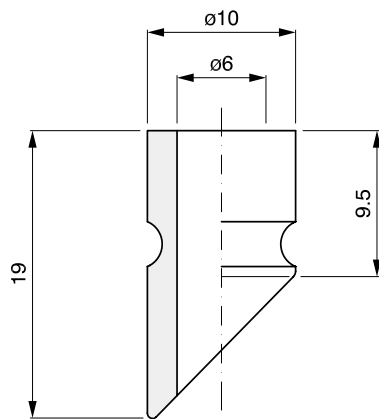
006.0132



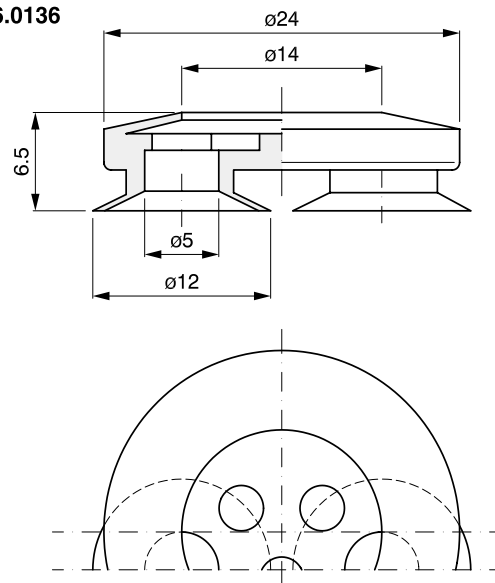
006.0133



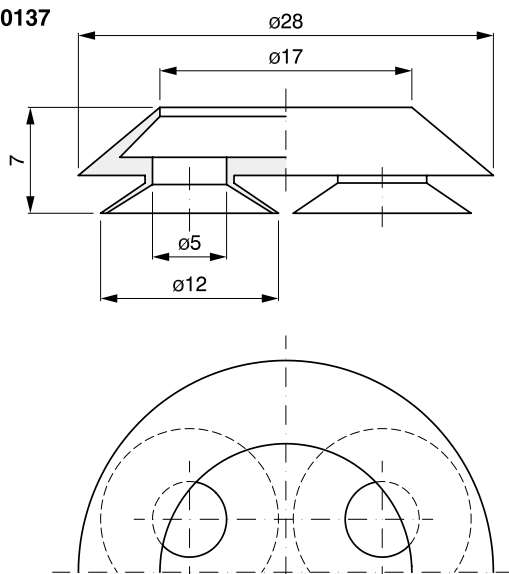
006.0134



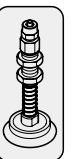
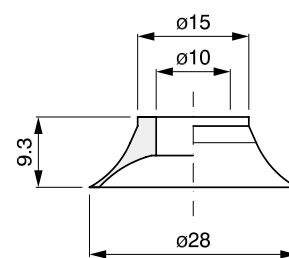
006.0136

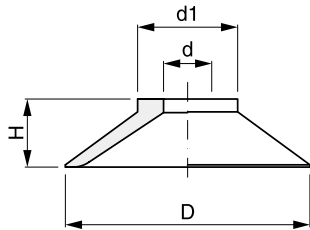


006.0137



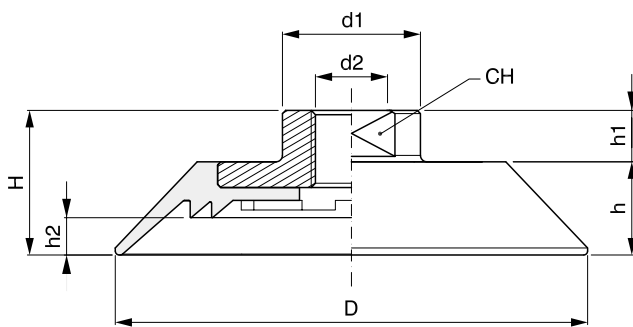
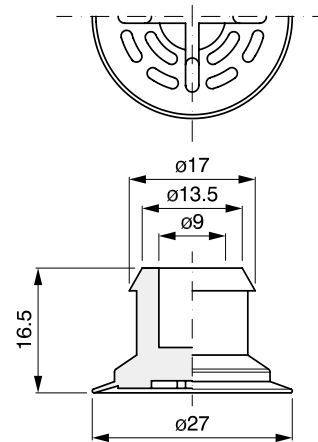
006.0147



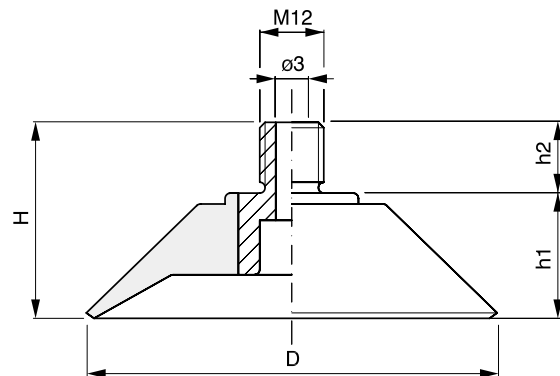


Cod.	D	d	d1	H
006.0071	14	5.4	8.2	3.2
006.0131	20	7	12.5	3
006.0075	27	7	13.5	7
006.0148	33	6.5	13.5	9

006.0156

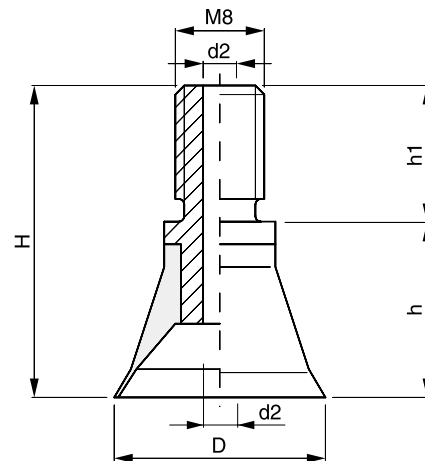
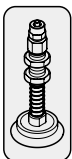
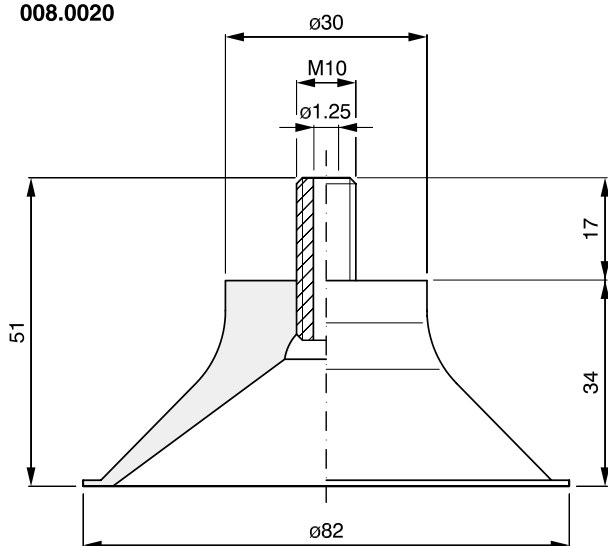


Cod.	D	d1	d2	H	h	h1	h2	CH
007.0030	75	22	1/4"	22.5	14.5	8	5.8	17
007.0010	100	30	3/8"	30	20	10	9	24



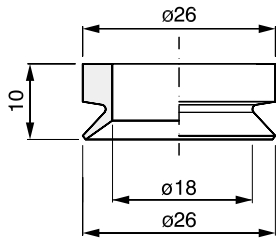
Cod.	D	H	h1	h2
008.0018	38	38	18	20
008.0017	52	38	18	20
008.0019	78	38	23	15
008.0016	82	55	40	15

008.0020

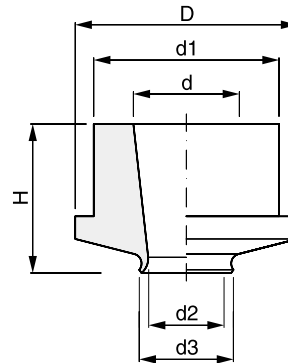
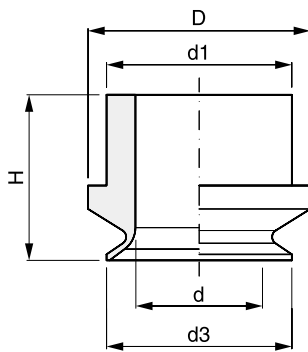
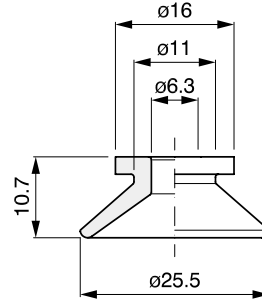


Cod.	D	d2	H	h	h1
008.0022	19	3	27.5	15.5	12
008.0041	25	3.5	23.5	11.5	12
008.00411	25	2.5	23.5	11.5	12

006.0149



006.0169

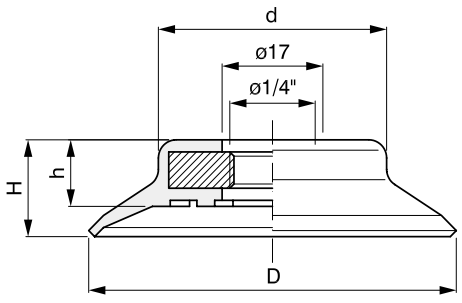
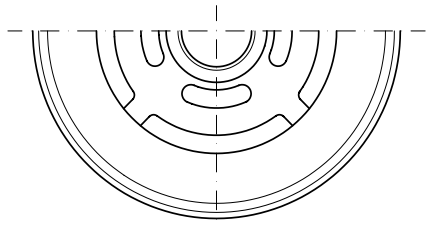
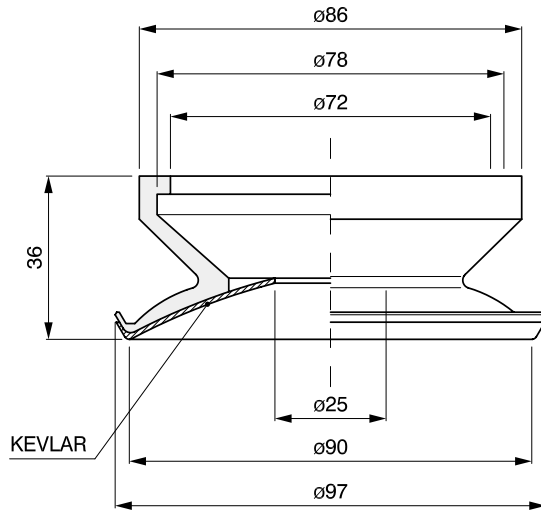


Cod.	D	d	d1	d3	H
006.0143	30	17	25	21.8	21.7
006.0145	30	19	25	27.7	23.5
006.0151	30	17.2	25	25	21.9
006.0162	30	14	25	19	20.9
006.0163	30.2	17.2	25.2	26	23
006.0142	30.4	14	25.6	19.4	21.3
006.0157	40	25	32	32	25
006.0210	53	29	44.7	37	31
006.0211	53	36.6	44.7	45	32

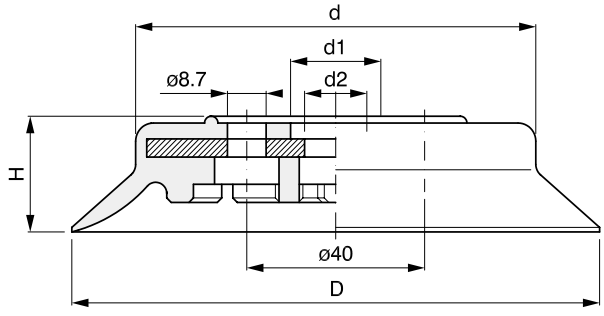
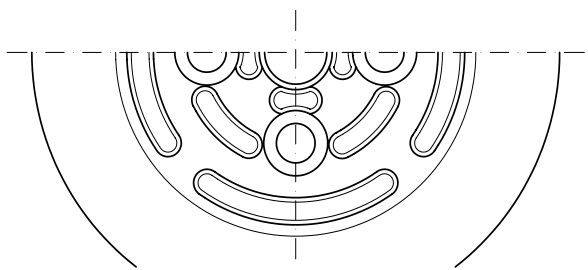
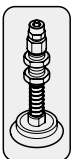
Cod.	D	d	d1	d2	d3	H
006.0144	30	17	25	12	16.5	20
006.0150	30	14.3	25	10.3	12.7	19.7
006.0152	30	16	25	10.6	14.8	20.1
006.0159	30	14	25	7.8	11	20.2
006.0178	30	18	25	14	18	21
006.0161	30.3	14.1	25.2	8.6	13.2	20
006.0160	30.4	14.2	25.3	10.4	12.3	19.4



006.0172



Cod.	D	d	H	h
007.0023	60	38	16	11
007.0024	80	52	18	12
007.0025	95	66	18	12



Cod.	D	d	d1	d2	H
007.0026	120	90	20	14	25
007.0027	150	105	20	13	32
007.0028	200	142	21	13	39

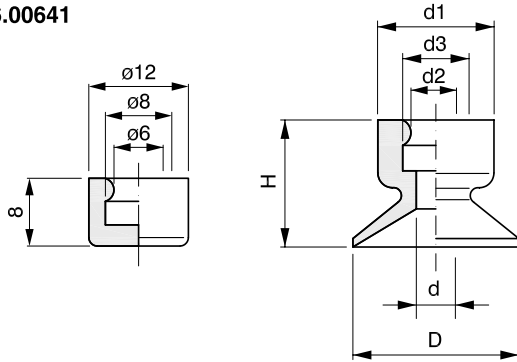
CONICAL SUCKERS

VENTOUSES CONIQUES

KEGELFORMIGE SAUGER

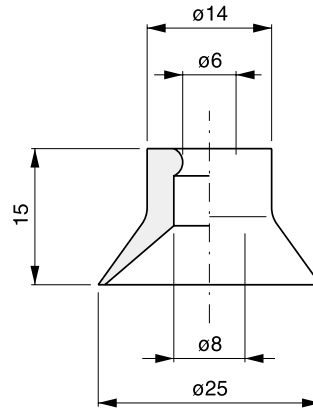
VENTOSAS CONICAS

006.00641

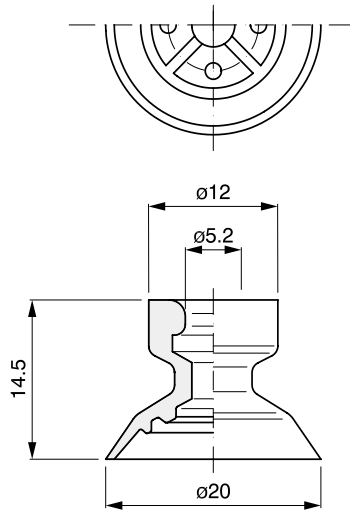


Cod.	D	d	d1	d2	d3	H
006.0064	20	4.7	14	6	8	15
006.0253	20.8	8.5	11.9	5	8.1	12.7
006.0257	14.7	5	11.9	5.8	8.1	11.8
006.0258	20.6	7	14	5.6	7	15

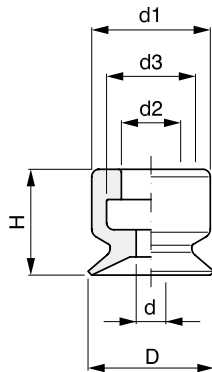
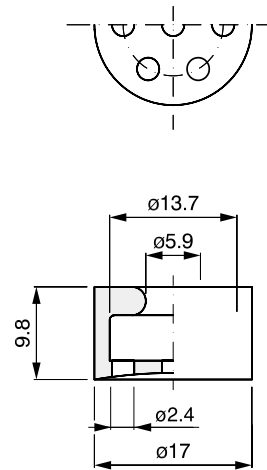
006.0069



006.0115

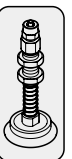
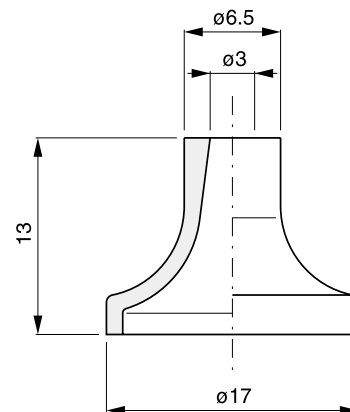


006.0155

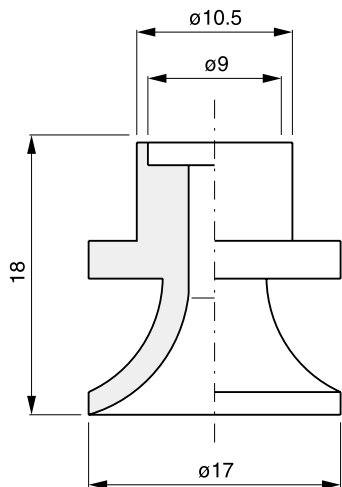


Cod.	D	d	d1	d2	d3	H
006.0200	5	1.4	7.4	4	6	6.5
006.0173	6	2	7.5	4	6	6.5
006.0174	8	2	8	4	6	7
006.0201	10	2	8.5	4	6	7.5

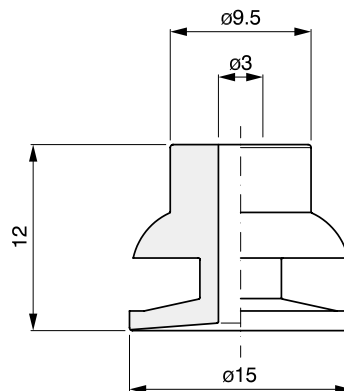
006.0101



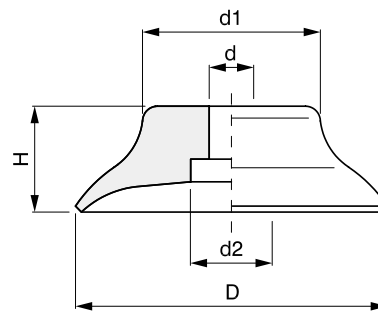
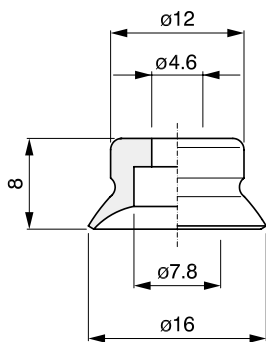
006.0102



006.0135

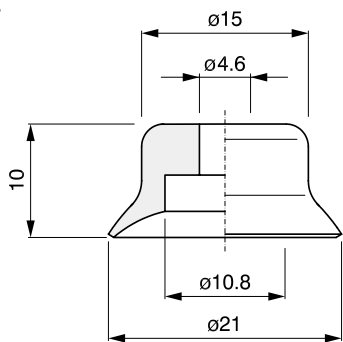


006.0182

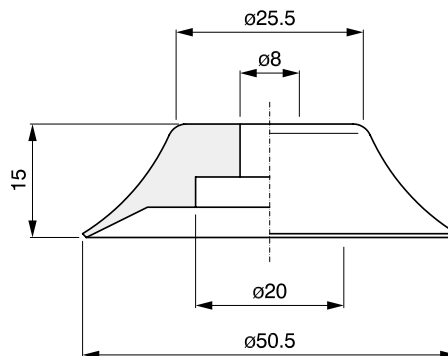


Cod.	D	d	d1	d2	H
006.0185	30	6	14	11	12
006.0186	36	6	21	11	14
006.0187	42	6	24	11	14

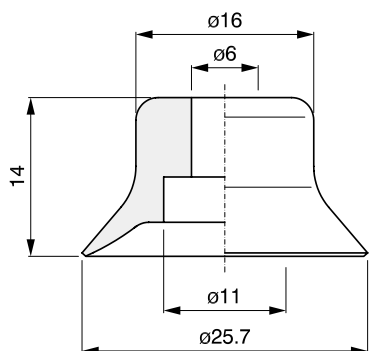
006.0183



006.0188



006.0184



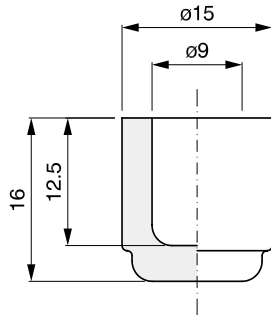
CONICAL SUCKERS

VENTOUSES CONIQUES

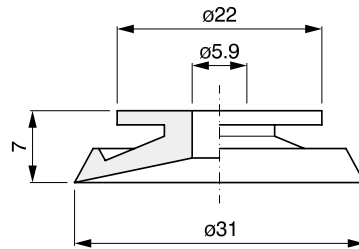
KEGELFORMIGE SAUGER

VENTOSAS CONICAS

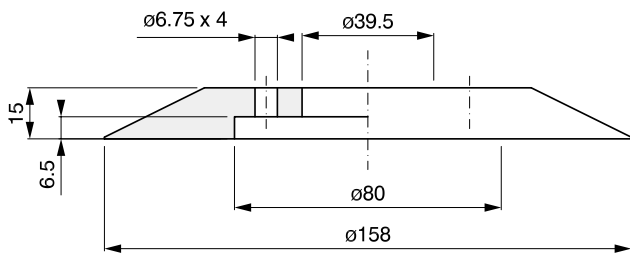
006.0192

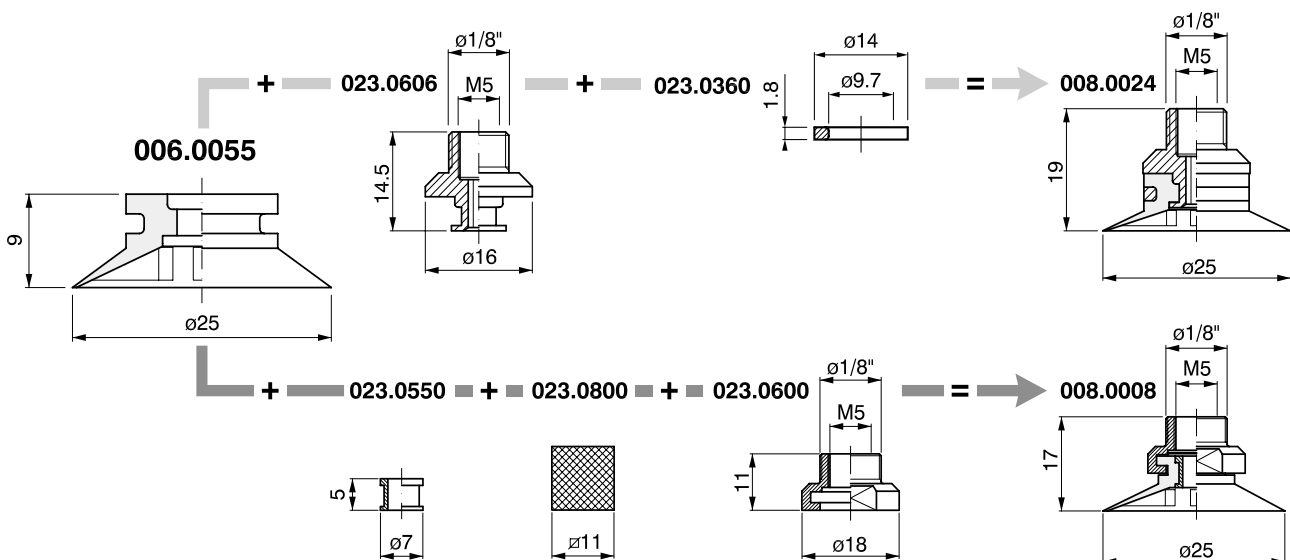
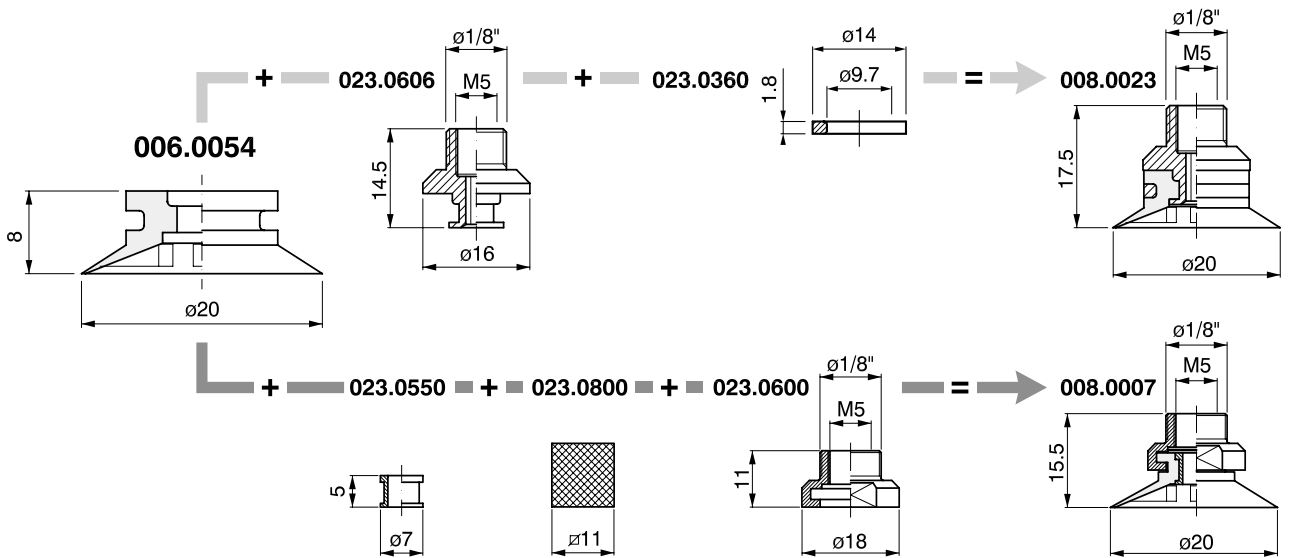
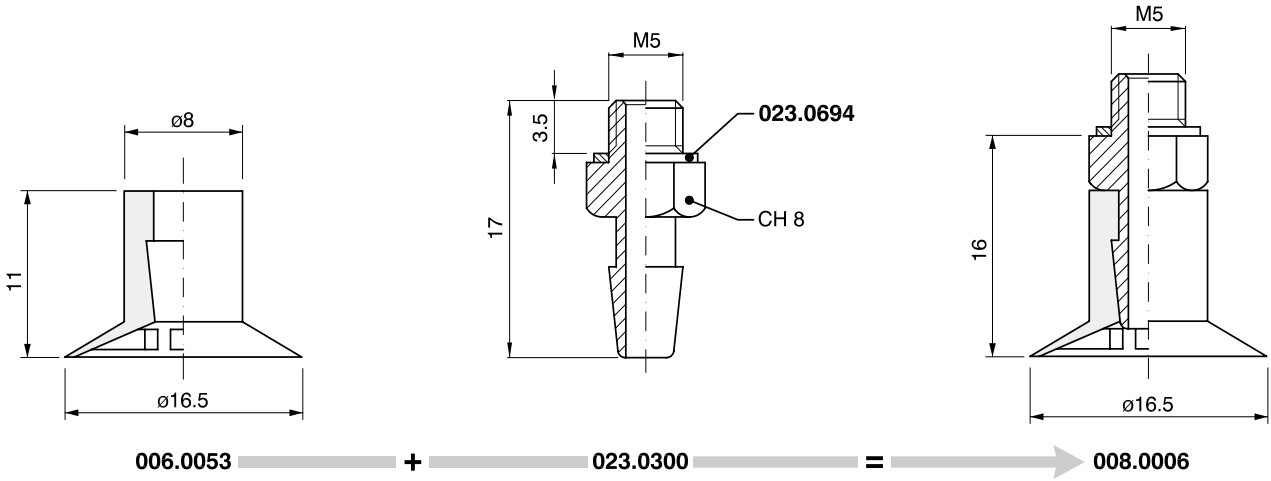


006.0194



006.0195



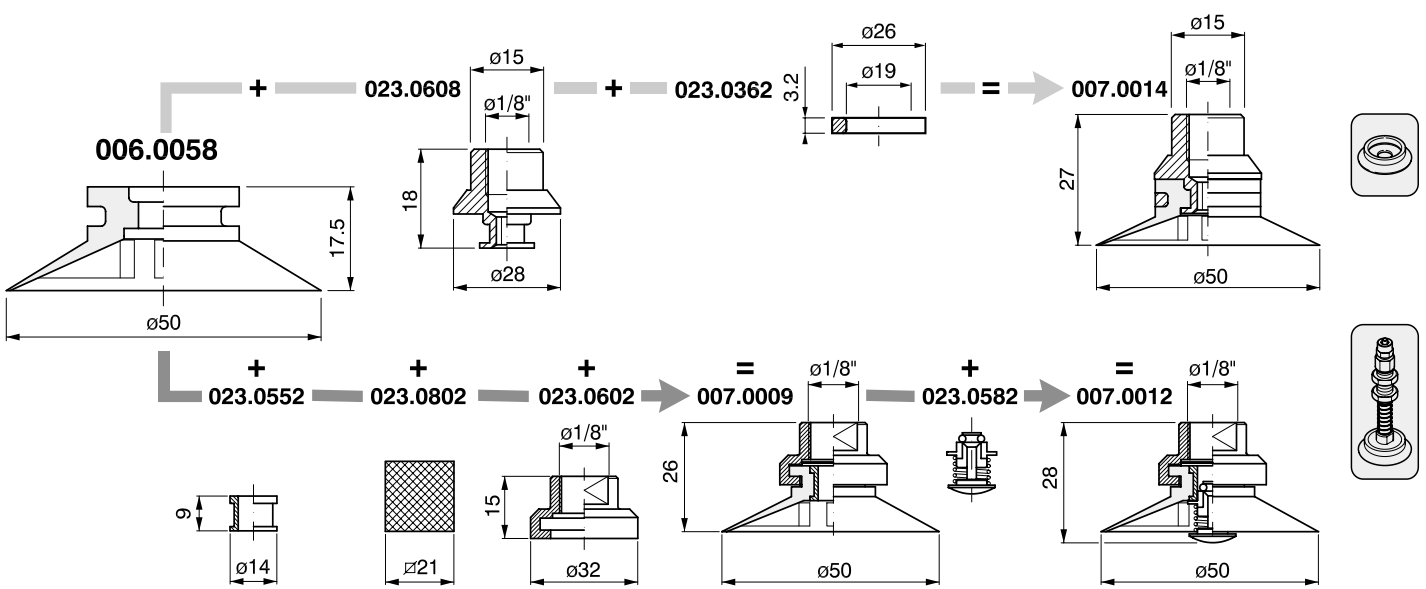
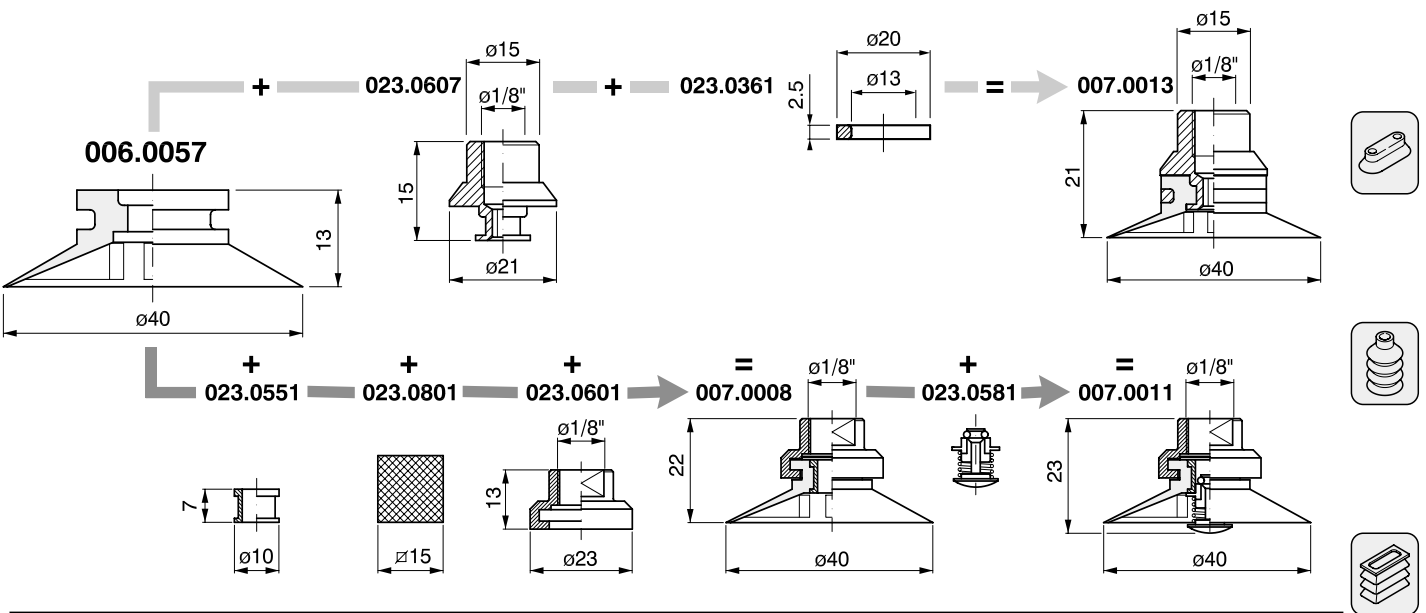
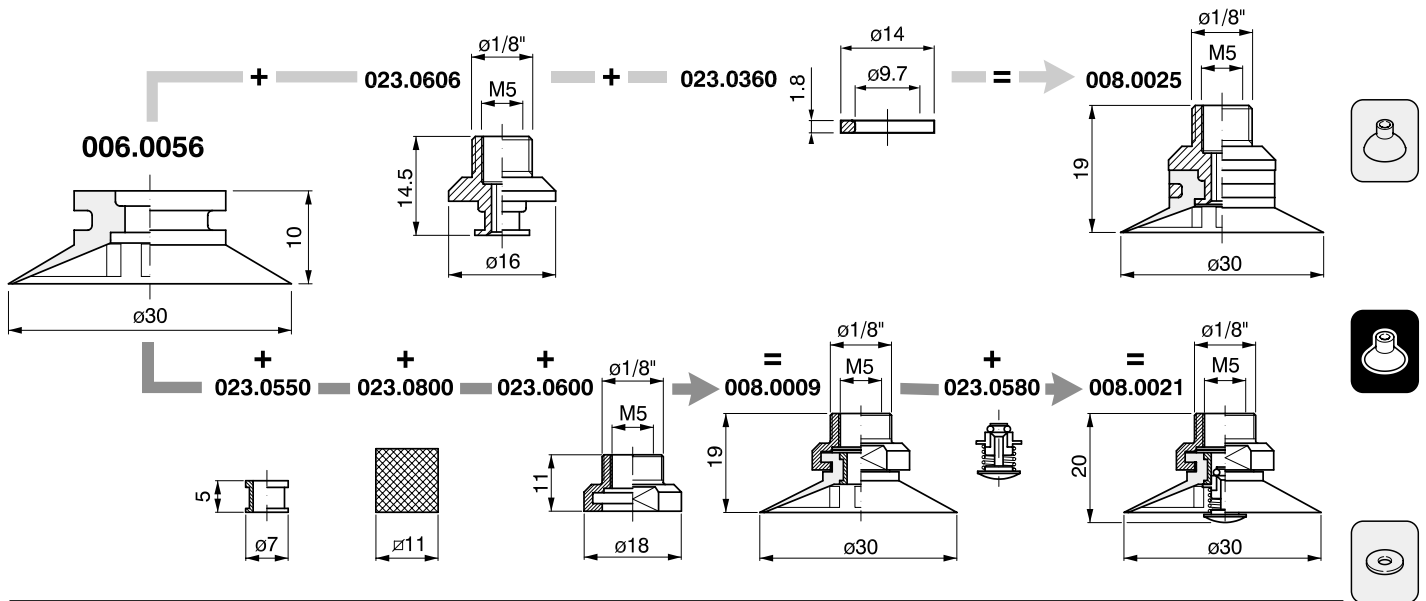


CONICAL SUCKERS

VENTOUSES CONIQUES

KEGELFORMIGE SAUGER

VENTOSAS CONICAS

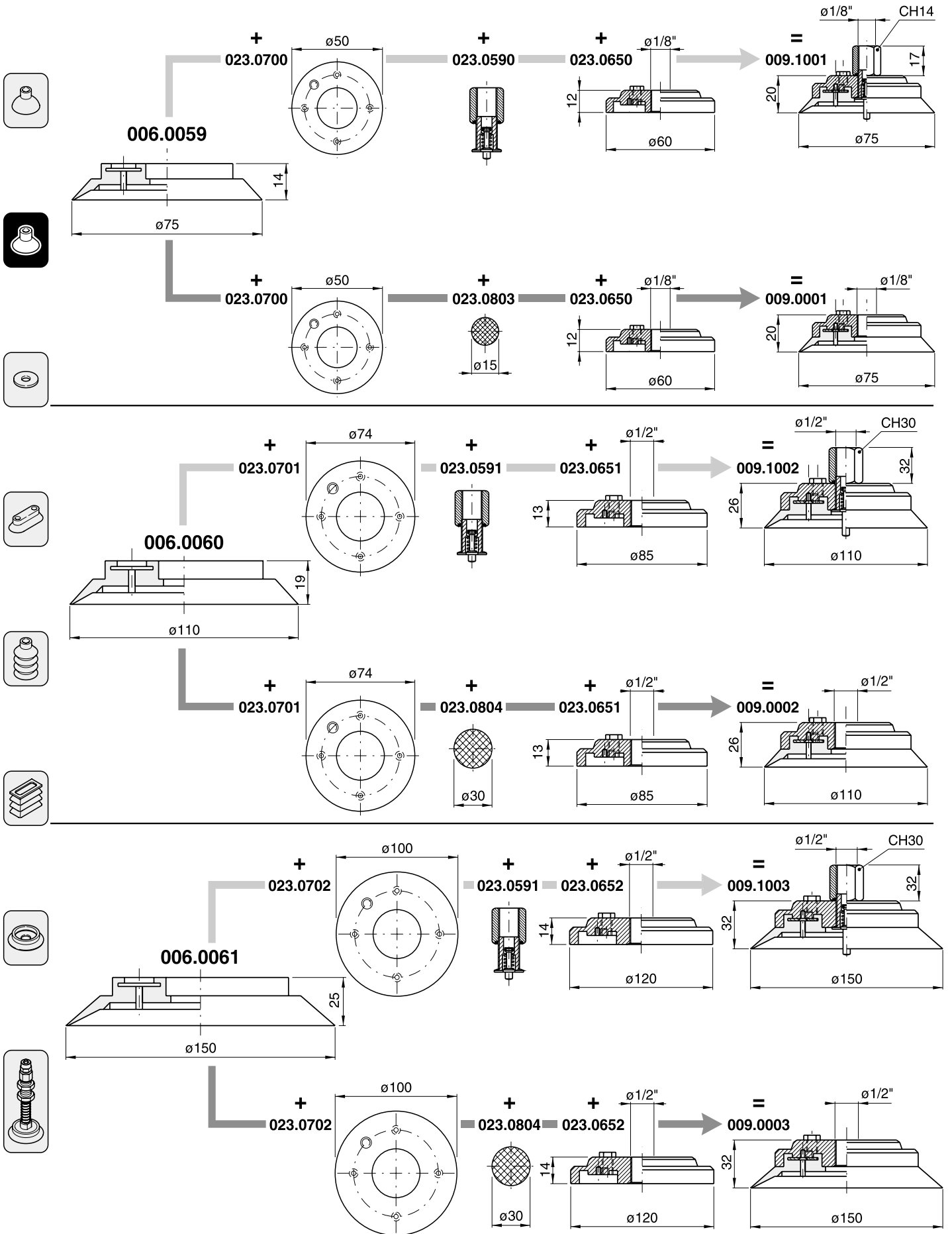


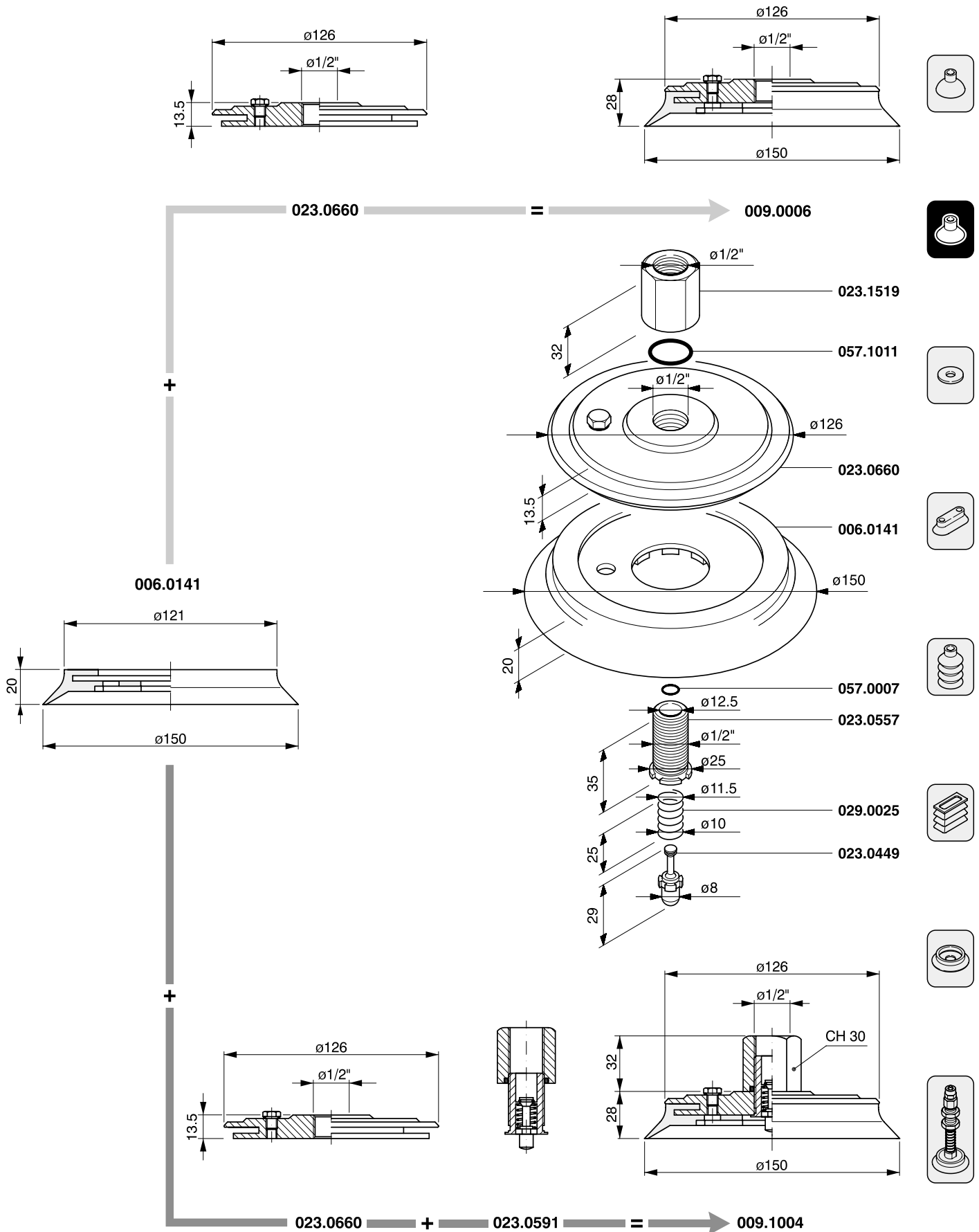
CONICAL SUCKERS

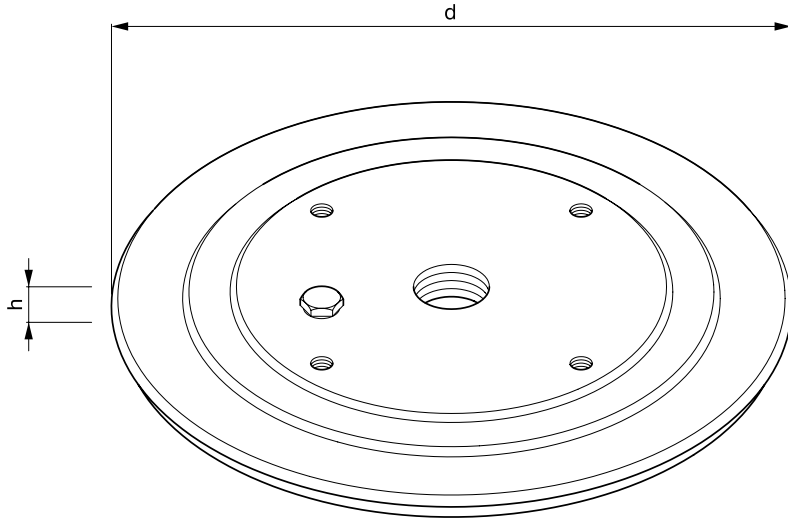
VENTOUSES CONIQUES

KEGELFORMIGE SAUGER

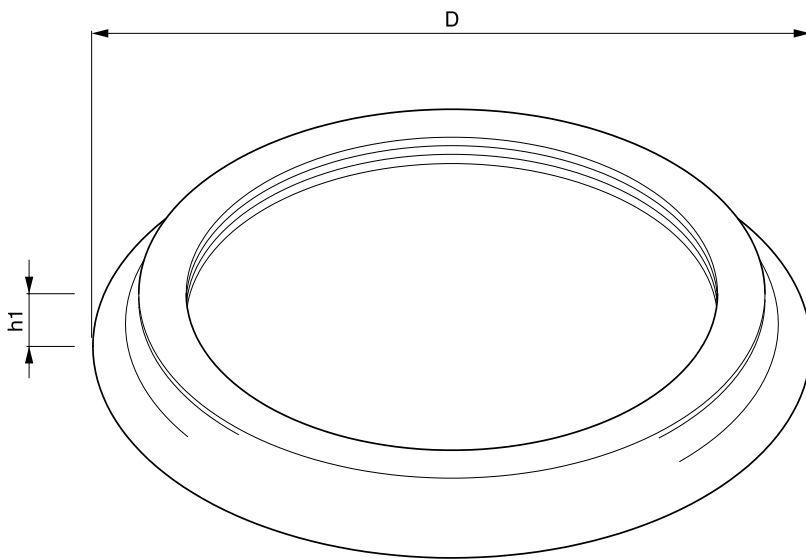
VENTOSAS CONICAS



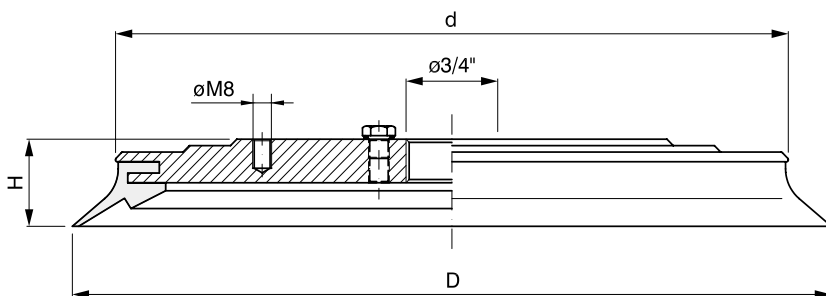




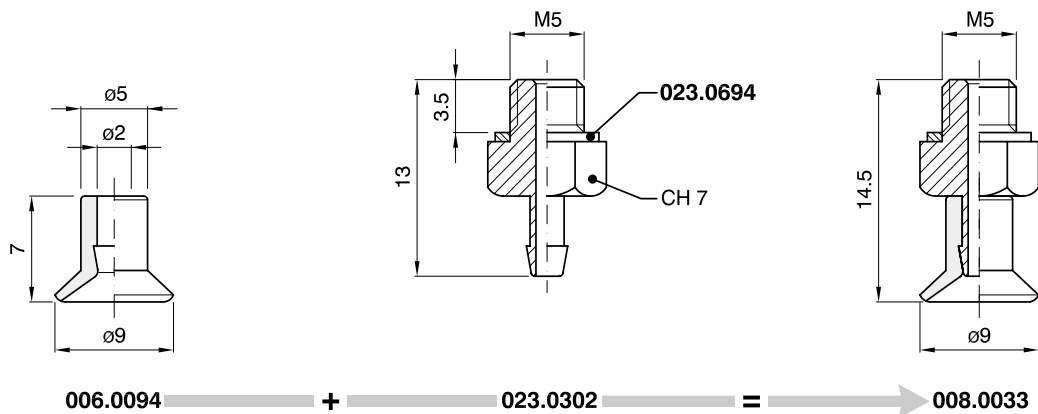
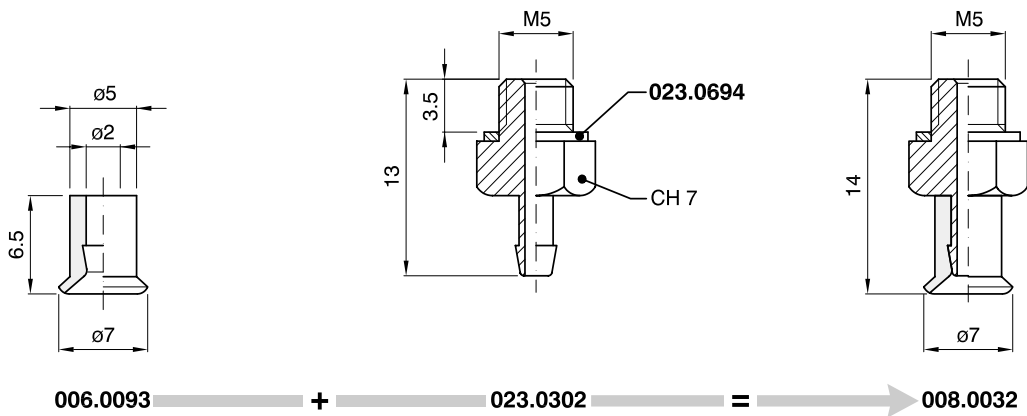
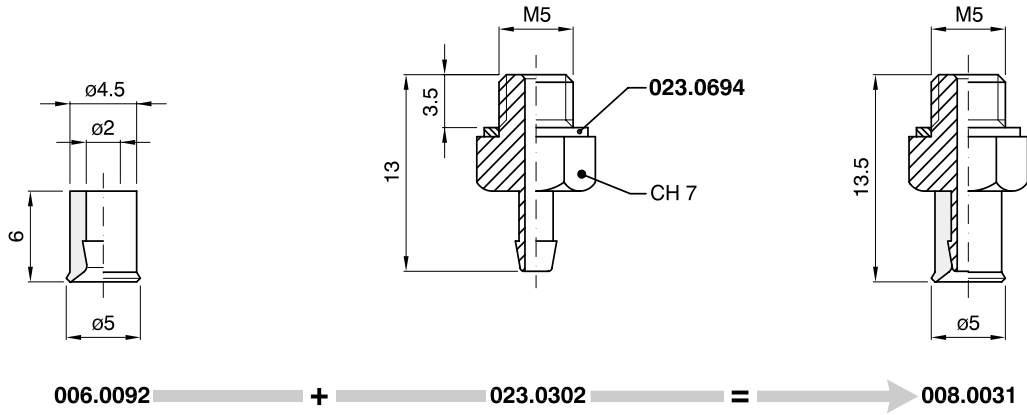
Cod.	d	h
023.0656	215	13.5
023.0657	315	13.5

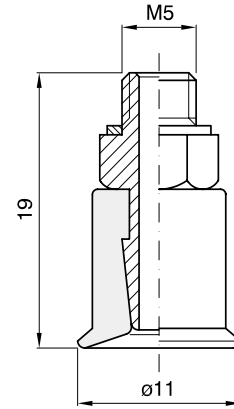
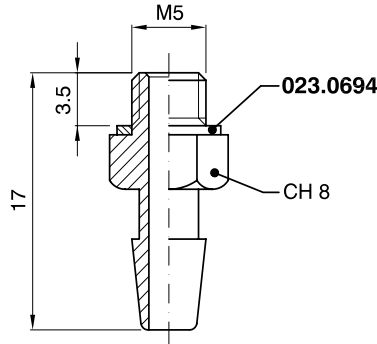
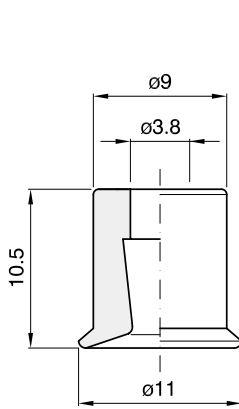


Cod.	D	h1
006.0127	228	20
006.0128	338	24

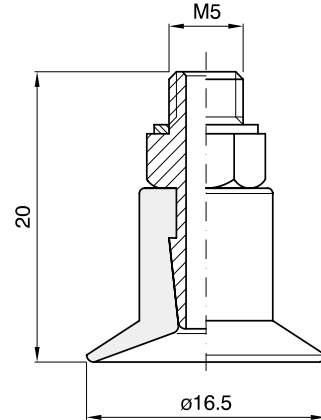
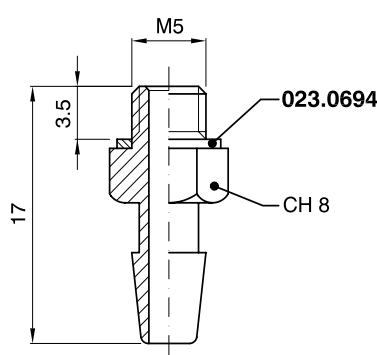
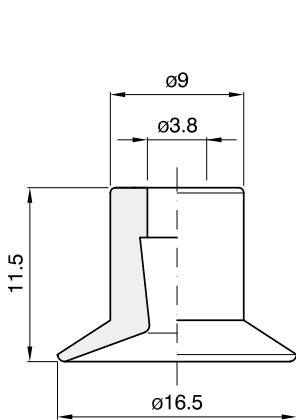


Cod.	D	d	H
009.0004	240	215	27
009.0005	350	315	31

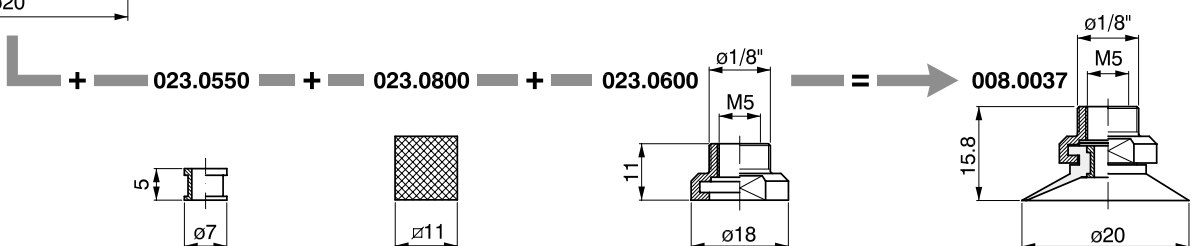
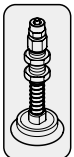
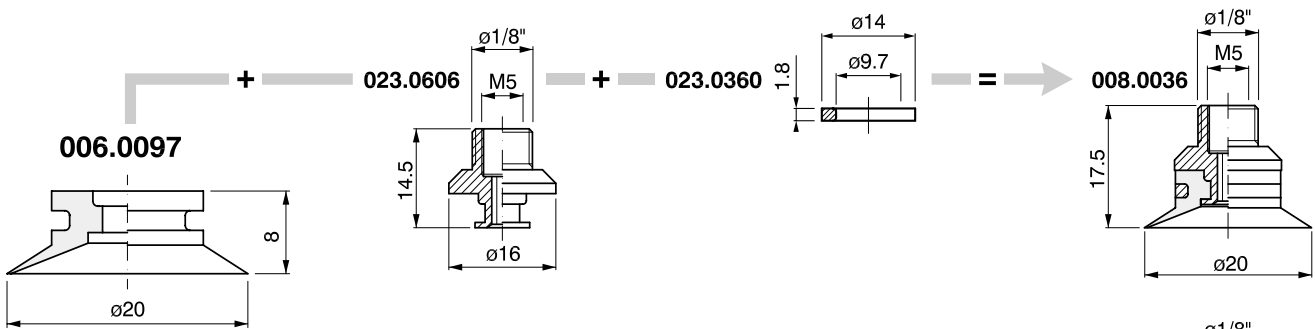




006.0095 + 023.0300 = 008.0034



006.0096 + 023.0300 = 008.0035

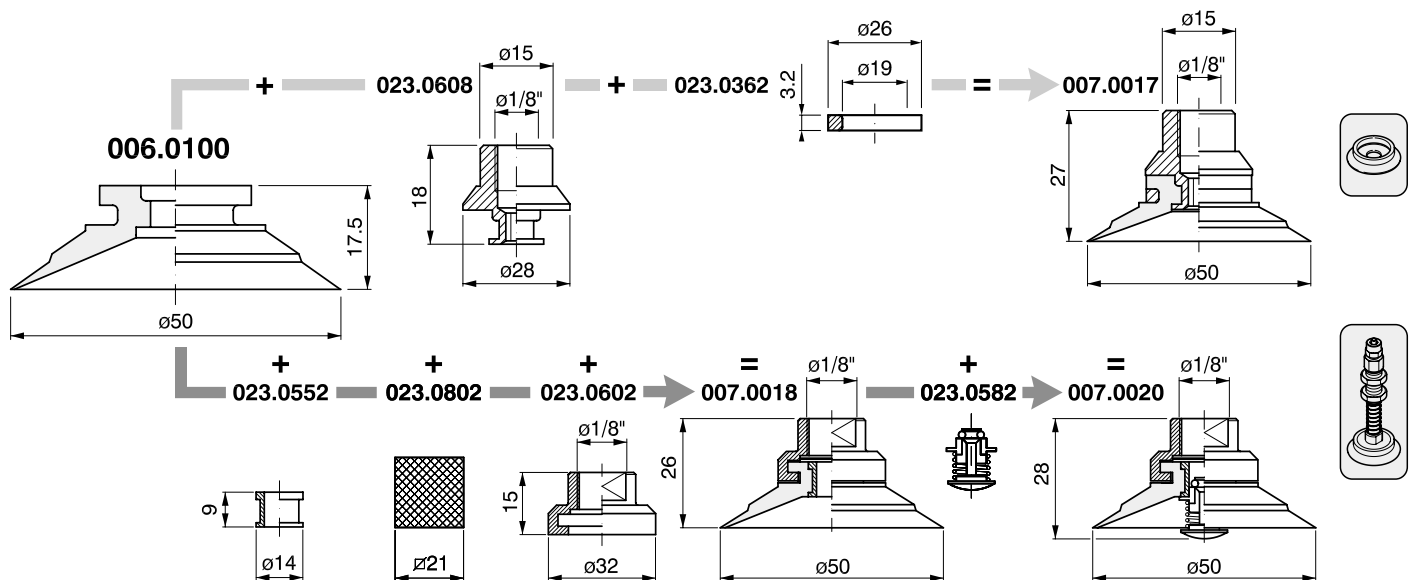
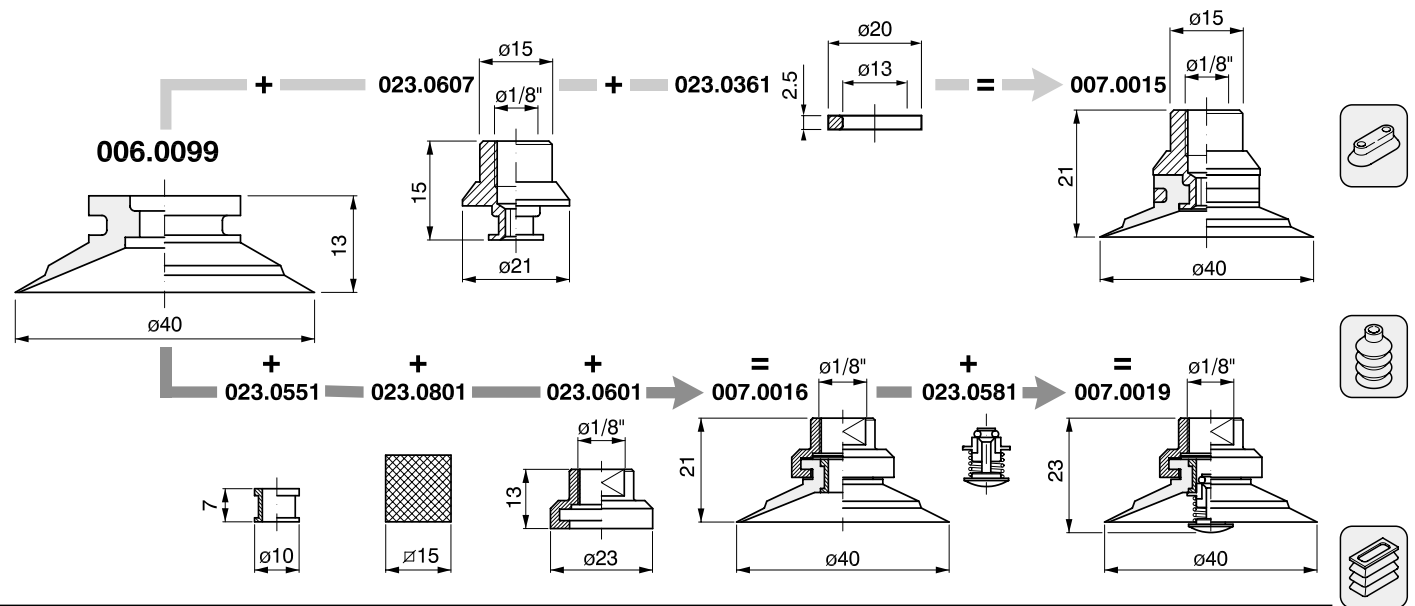
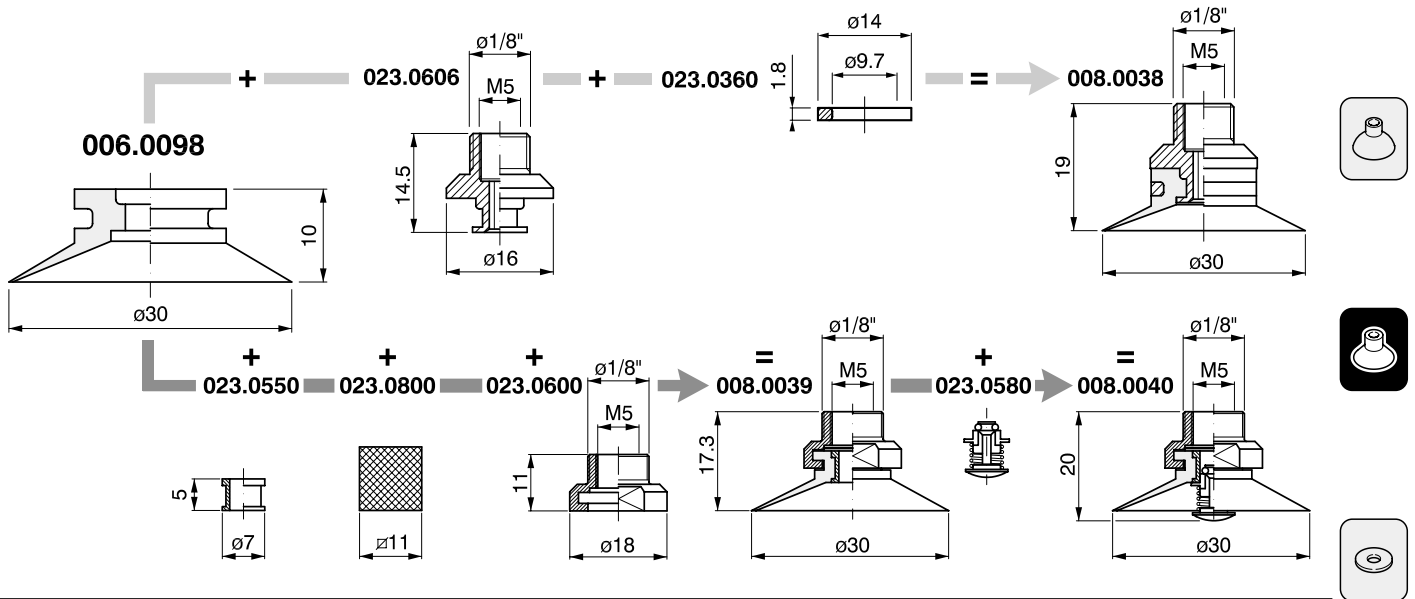


CONICAL SUCKERS

VENTOUSES CONIQUES

KEGELFORMIGE SAUGER

VENTOSAS CONICAS

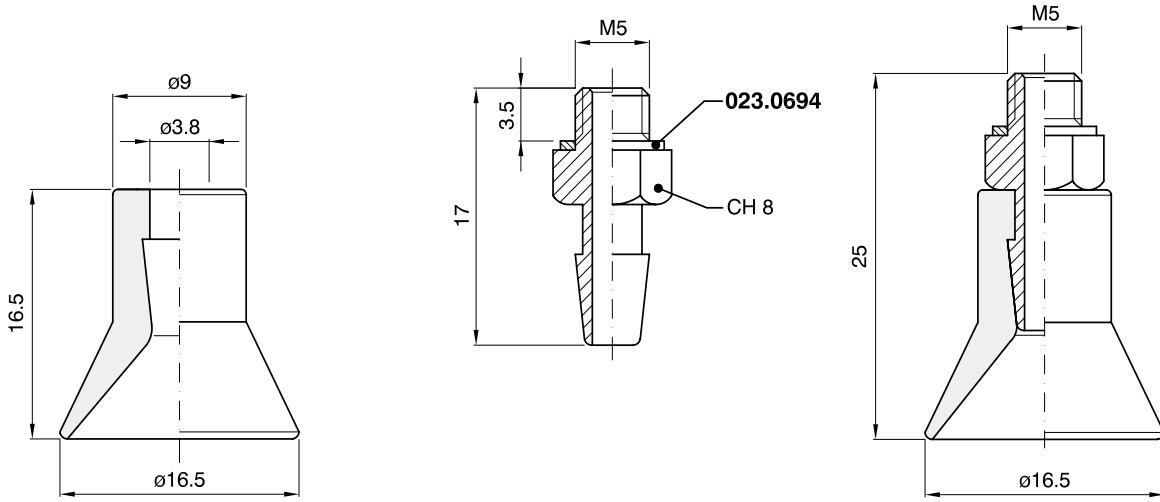


CONICAL SUCKERS

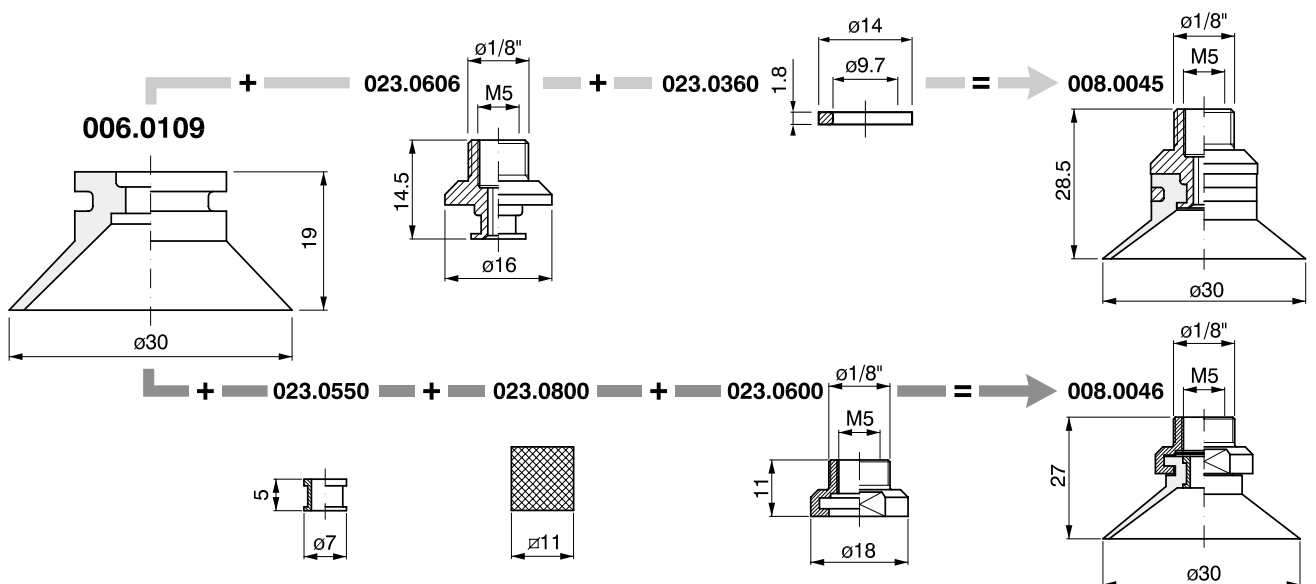
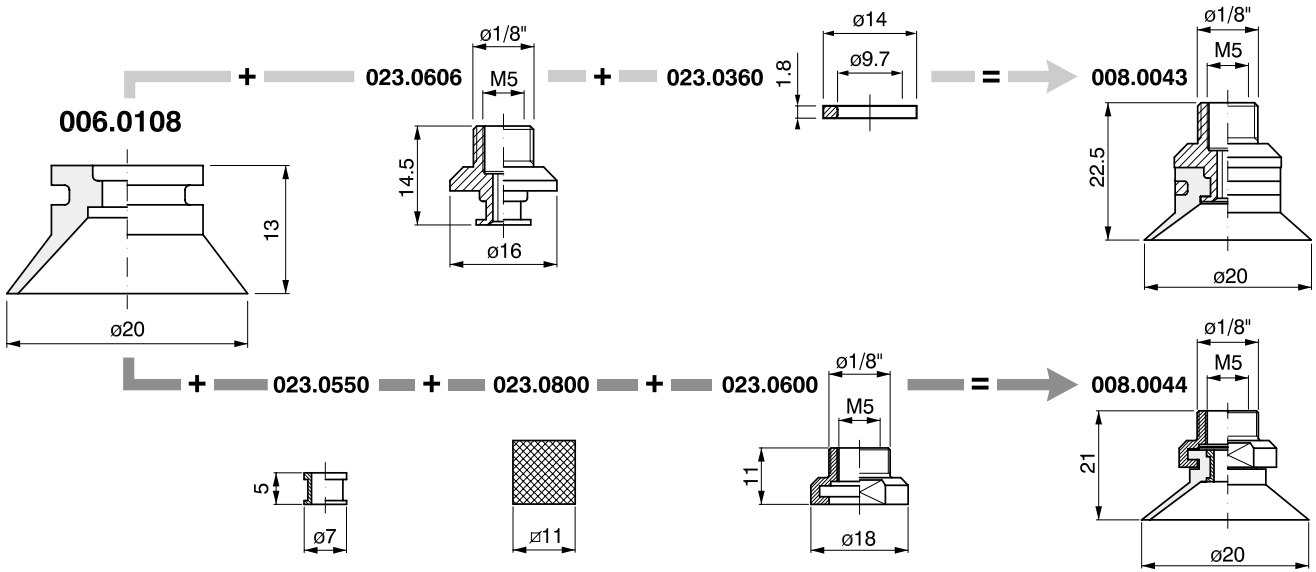
VENTOUSES CONIQUES

KEGELFORMIGE SAUGER

VENTOSAS CONICAS



006.0107 + 023.0300 = 008.0042

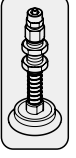
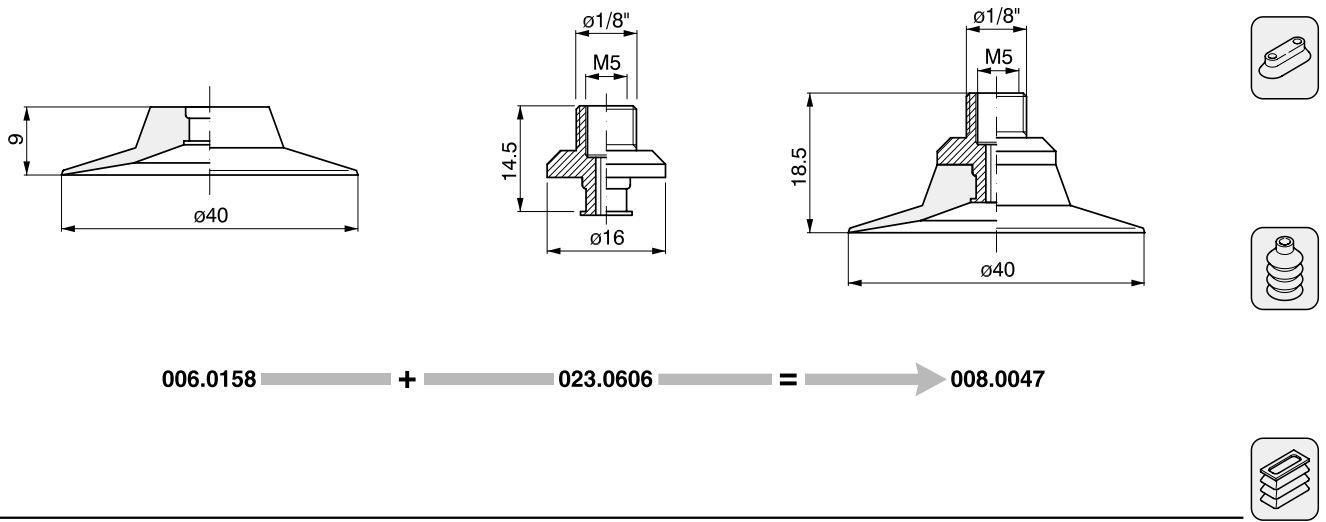
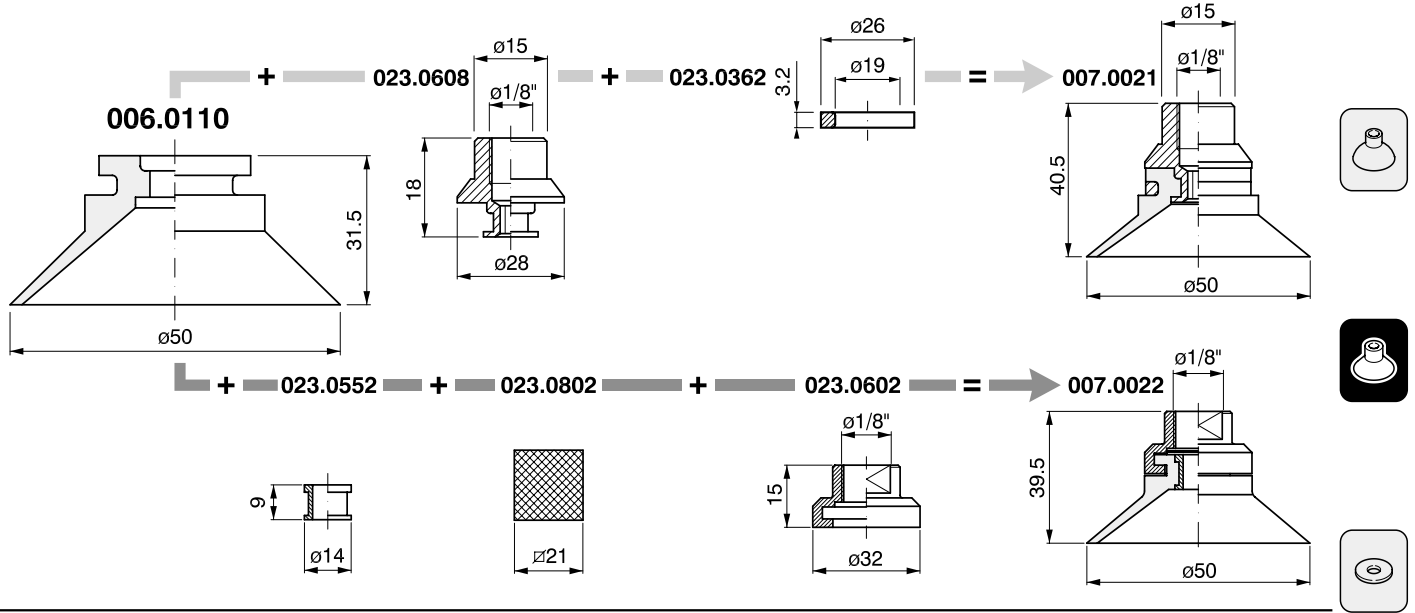


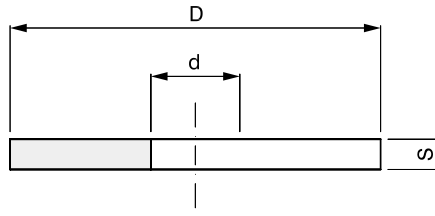
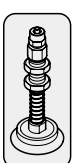
CONICAL SUCKERS

VENTOUSES CONIQUES

KEGELFORMIGE SAUGER

VENTOSAS CONICAS





Cod.	D	d	s
006.100100	15	3	0.5
006.100101	19	3	0.5
006.100102	19	5	0.5
006.100103	20	3	0.5
006.100104	25	6	0.5
006.100105	30	11	0.5
006.100109	30	13	0.5
006.100107	32	15	0.5
006.100108	33	15	0.5
006.100110	36	15	0.5
006.100106	38	11	0.5
006.100113	38	14	0.5
006.100111	39	15	0.5
006.100112	40	9	0.5
006.100114	45	14	0.5

Cod.	D	d	s
006.100200	19	3	1
006.100201	19	5	1
006.100216	18	1	1
006.100217	20	1	1
006.100202	20	3	1
006.100215	22	3	1
006.100203	25	6	1
006.100214	28	6	1
006.100204	30	11	1
006.100208	30	13	1
006.100206	32	15	1
006.100207	33	15	1
006.100209	36	15	1
006.100205	38	11	1
006.100212	38	14	1
006.100210	39	15	1
006.100211	40	9	1
006.100213	45	14	1

Cod.	D	d	s
006.100307	22	3	1.5
006.100300	25	6	1.5
006.100308	30	4	1.5
006.100301	36	15	1.5
006.100306	38	11	1.5
006.100304	38	14	1.5
006.100302	39	15	1.5
006.100303	40	9	1.5
006.100305	45	14	1.5
006.100309	50	35	1.1

Cod.	D	d	s
006.100400	25	6	2
006.100401	30	11	2
006.100405	30	13	2
006.100403	32	15	2
006.100404	33	15	2
006.100406	36	15	2
006.100402	38	11	2
006.100409	38	14	2
006.100407	39	15	2
006.100408	40	9	2
006.100410	45	14	2



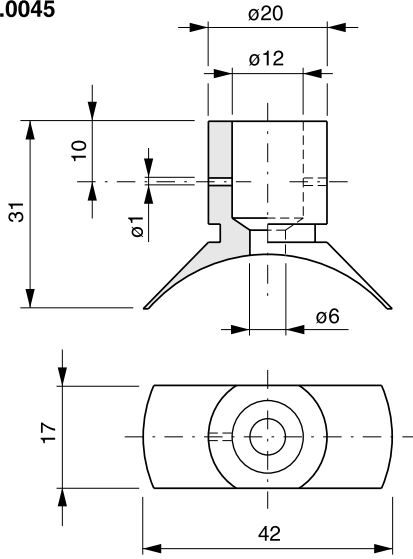
OVAL SUCKERS

VENTOUSES OVALES

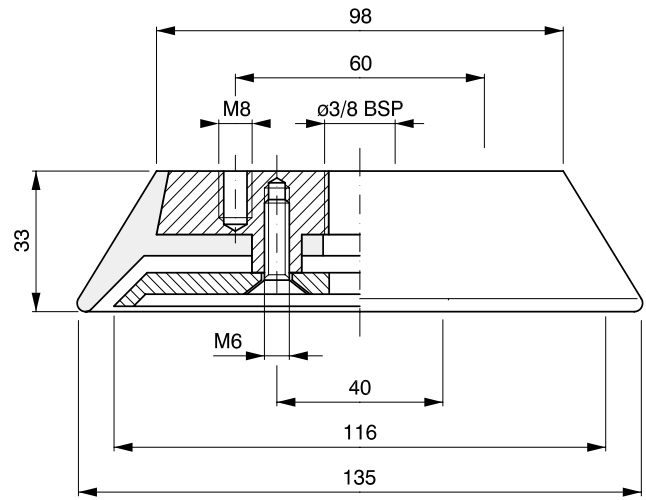
OVALSAUGER

VENTOSAS CONICAS OVALADA

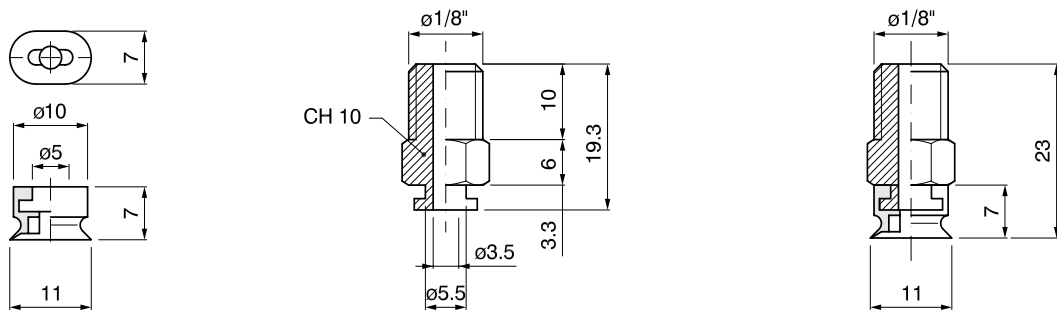
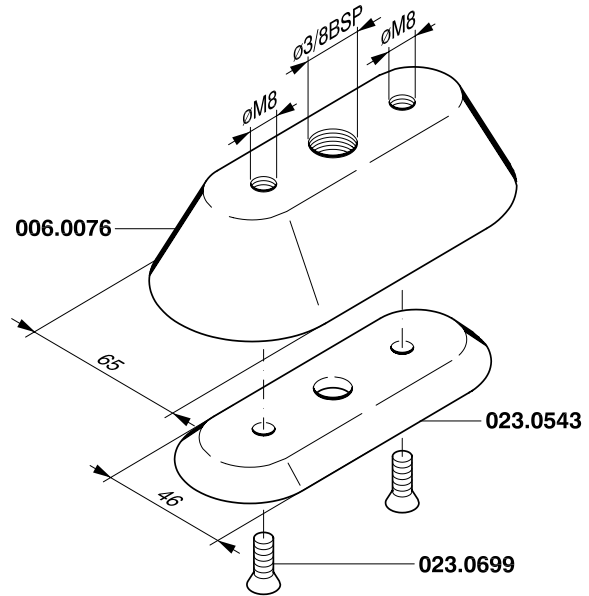
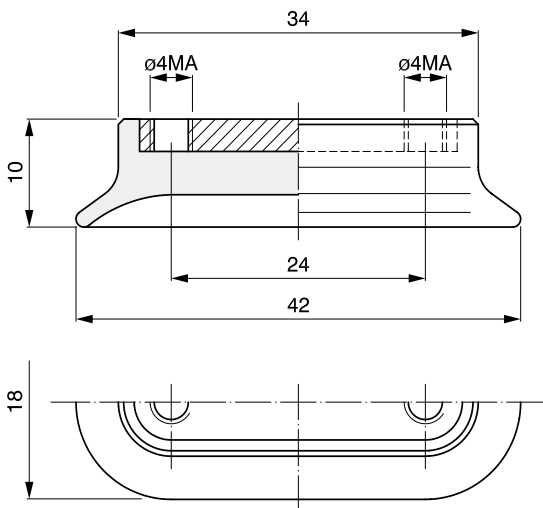
006.0045



006.00761



006.0080



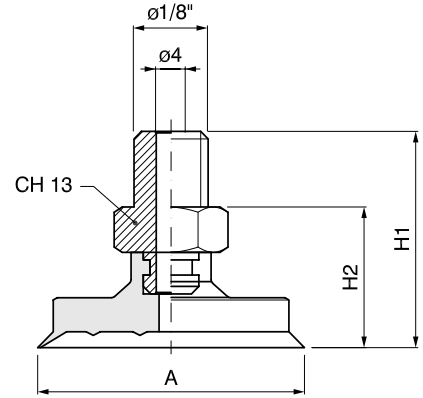
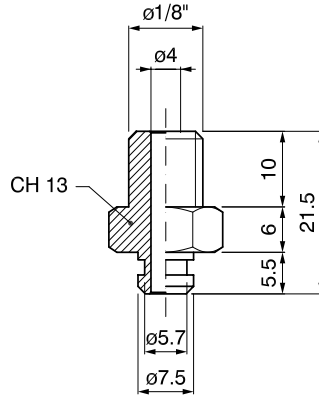
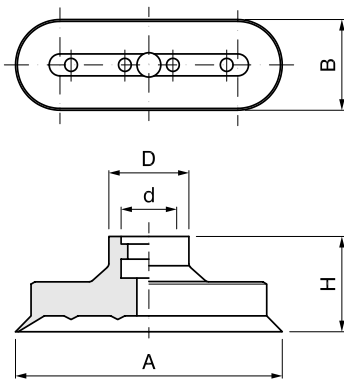
006.0114 + 023.0210 = 006.0225

OVAL SUCKERS

VENTOUSES OVALES

OVALSAUGER

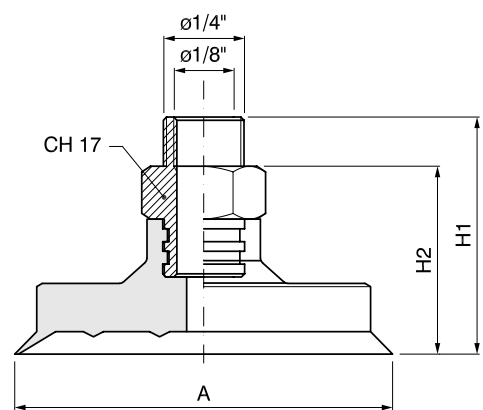
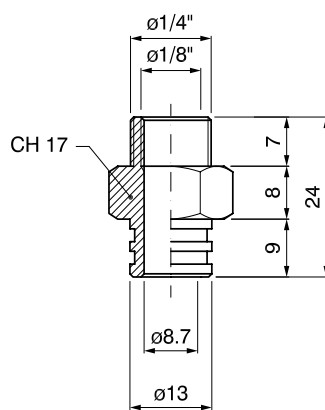
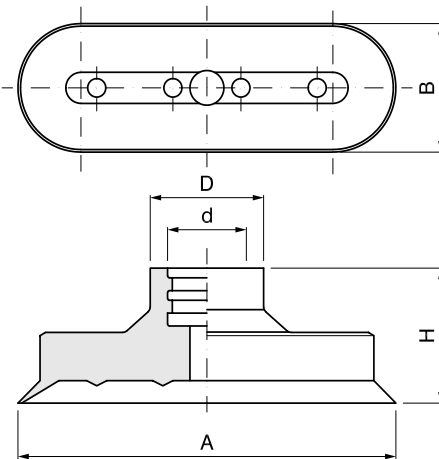
VENTOSAS CONICAS OVALADA



Cod.	A	B	D	d	H
006.0220	7	3,9	5,9	2,5	6
006.0116	15	5	8	5	12
006.0117	18	6	8	5	12
006.0118	24	8	12	5	12
006.0119	29	10	12	5	12
006.0120	36	12	12	5	12

+ 023.0209 =

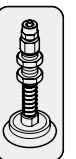
Cod.	A	H1	H2
006.0226	15	28	18
006.0227	18	28	18
006.0228	24	28	18
006.0229	29	28	18
006.0230	36	28	18



Cod.	A	B	D	d	H
006.0121	45	15	17	11	21
006.0122	60	20	18	11	21
006.0123	75	25	18	11	21
006.0124	85	28	18	11	21
006.0125	100	35	18	11	21

+ 023.0207 =

Cod.	A	H1	H2
006.0231	45	36	29
006.0232	60	36	29
006.0233	75	36	29
006.0234	85	36	29
006.0235	100	36	29



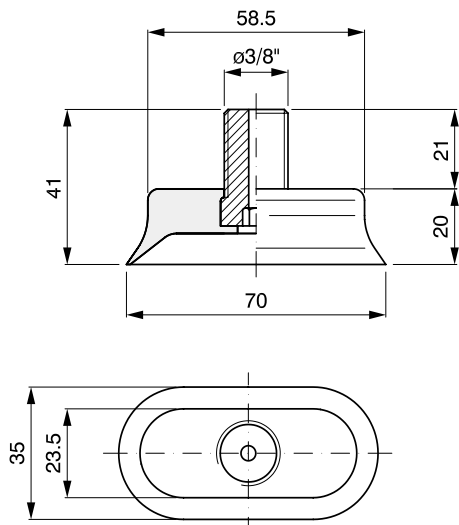
OVAL SUCKERS

VENTOUSES OVALES

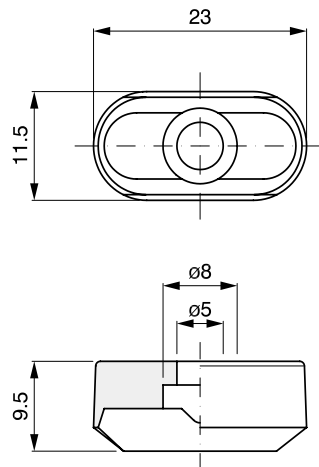
OVALSAUGER

VENTOSAS CONICAS OVALADA

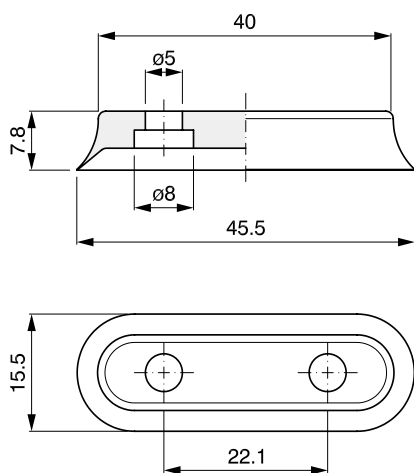
006.0126



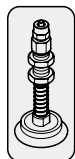
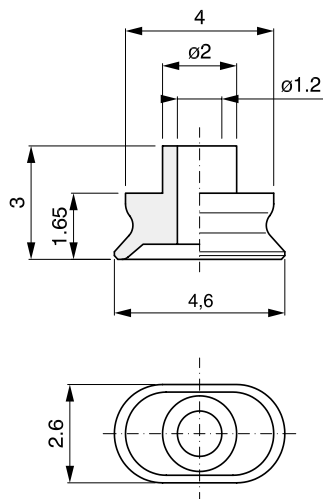
006.0170

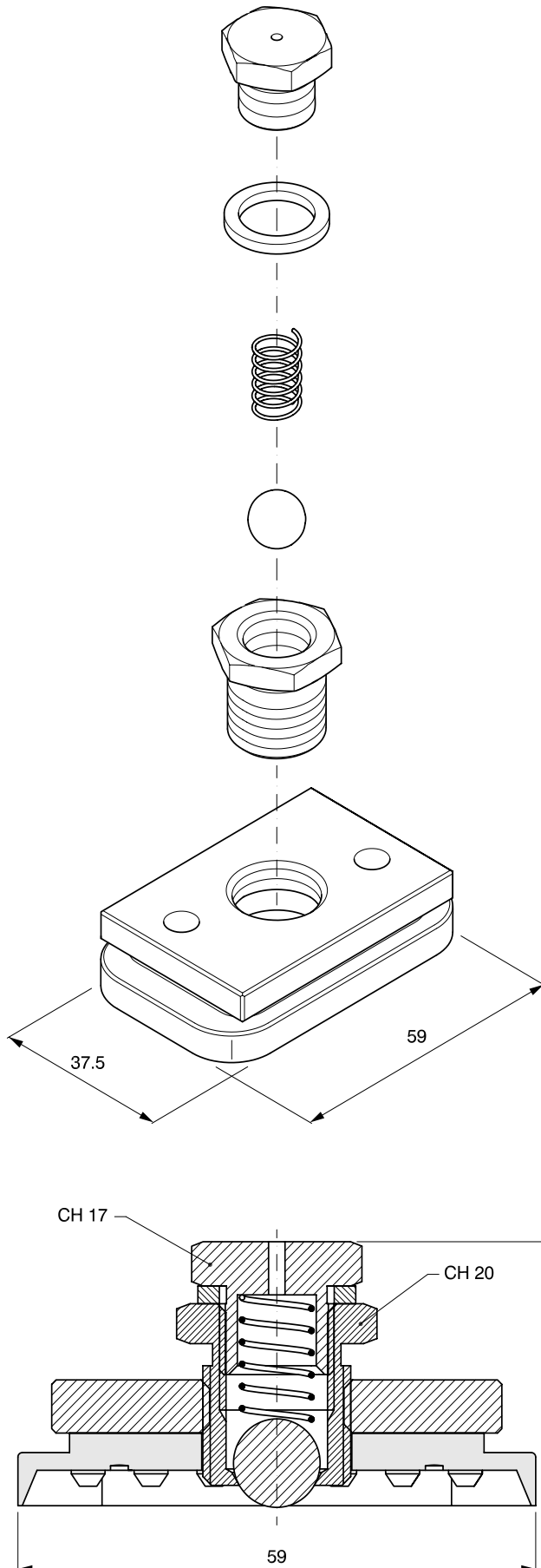


006.0193



006.0196





023.0213

+

023.0017

+

029.0037

+

023.0018

+

023.0214

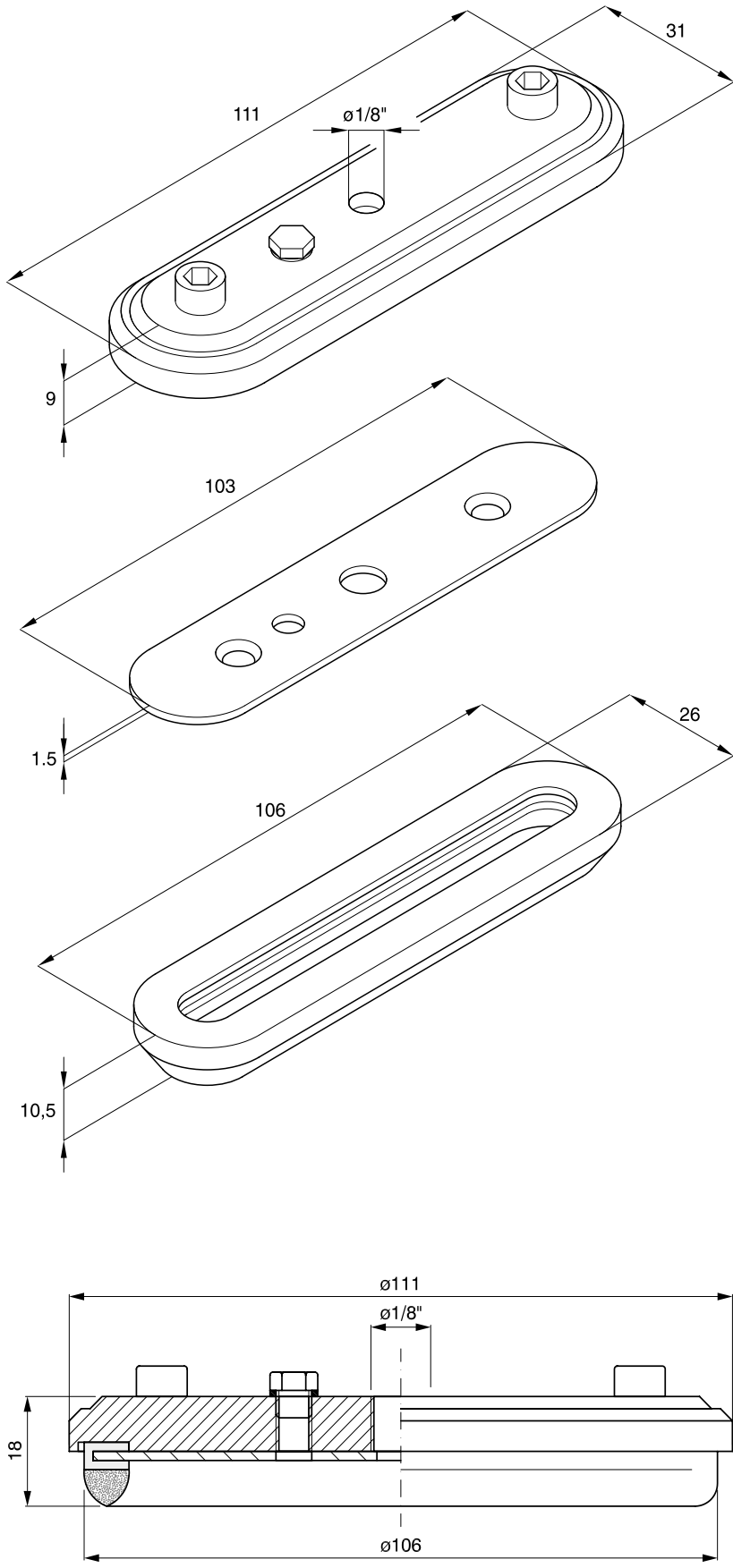
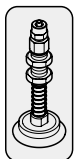
+

006.0222

=

009.1005





023.0665

+

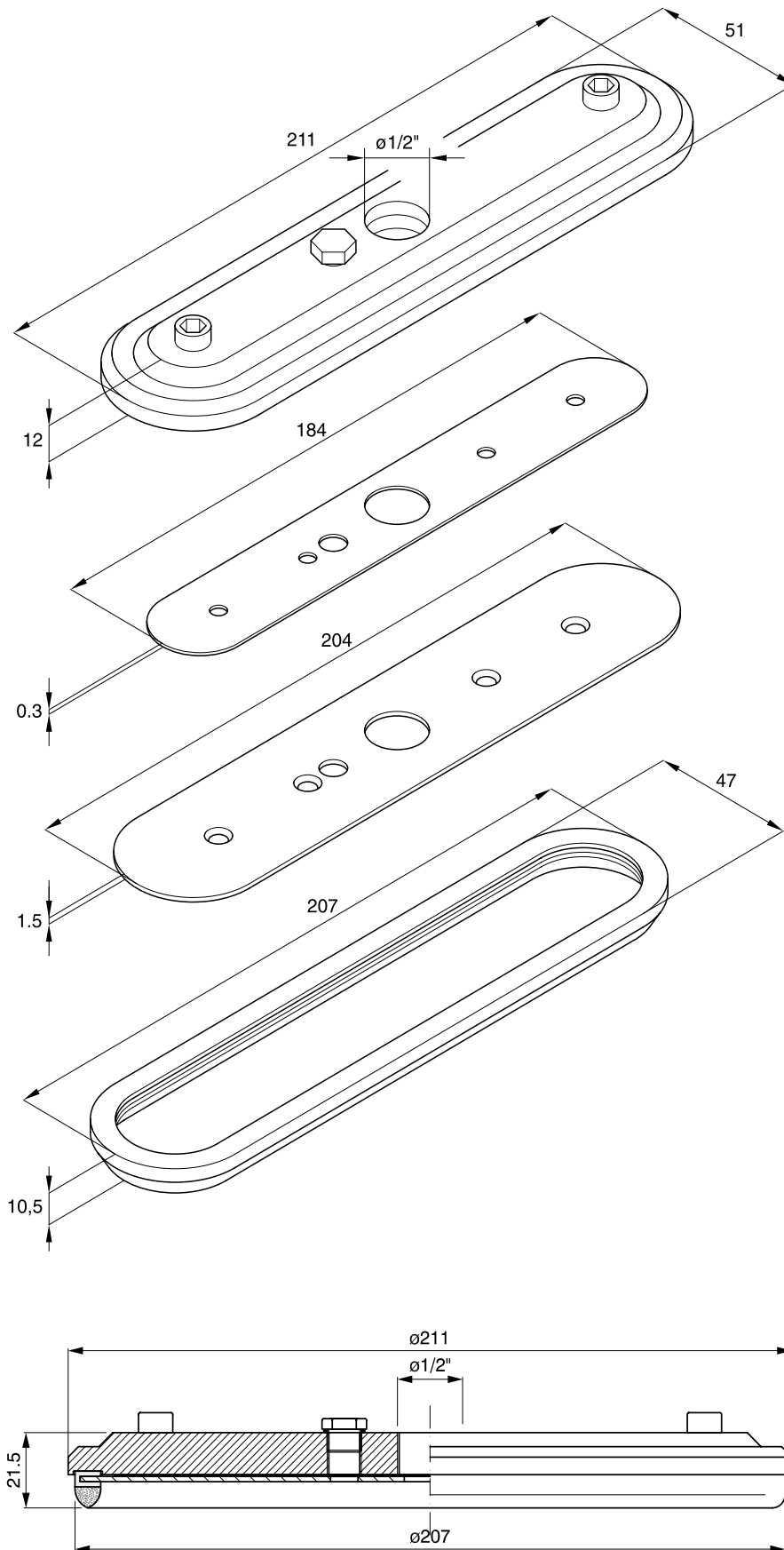
023.0703

+

010.0013

=

011.0023



023.0666

+

023.07041

+

023.0704

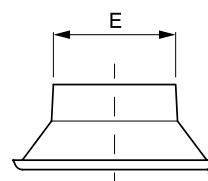
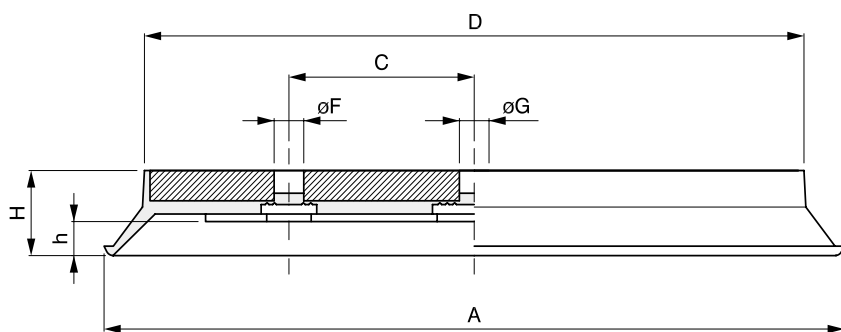
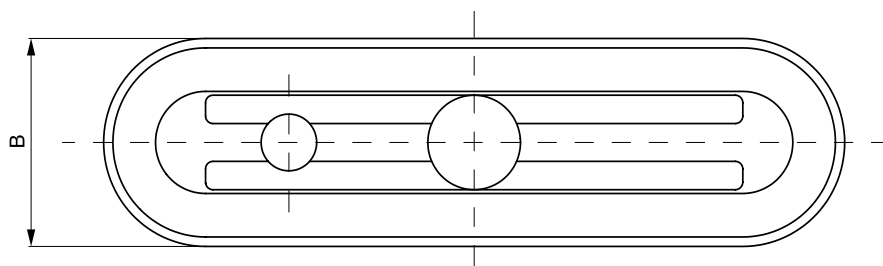
+

010.0014

=

011.0024

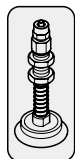
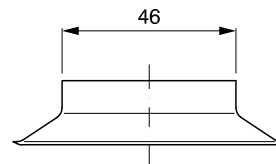
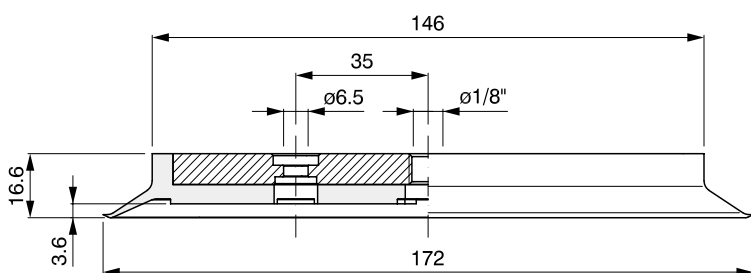
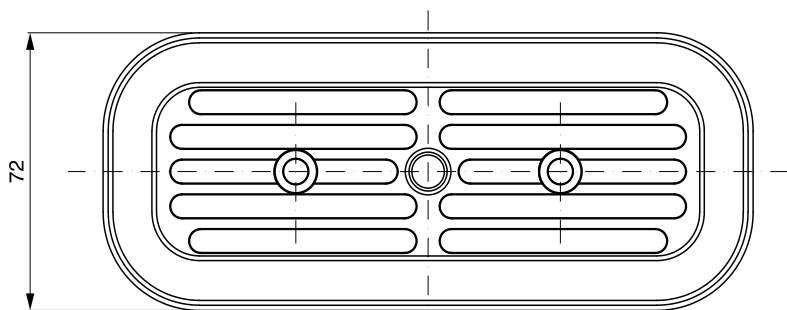




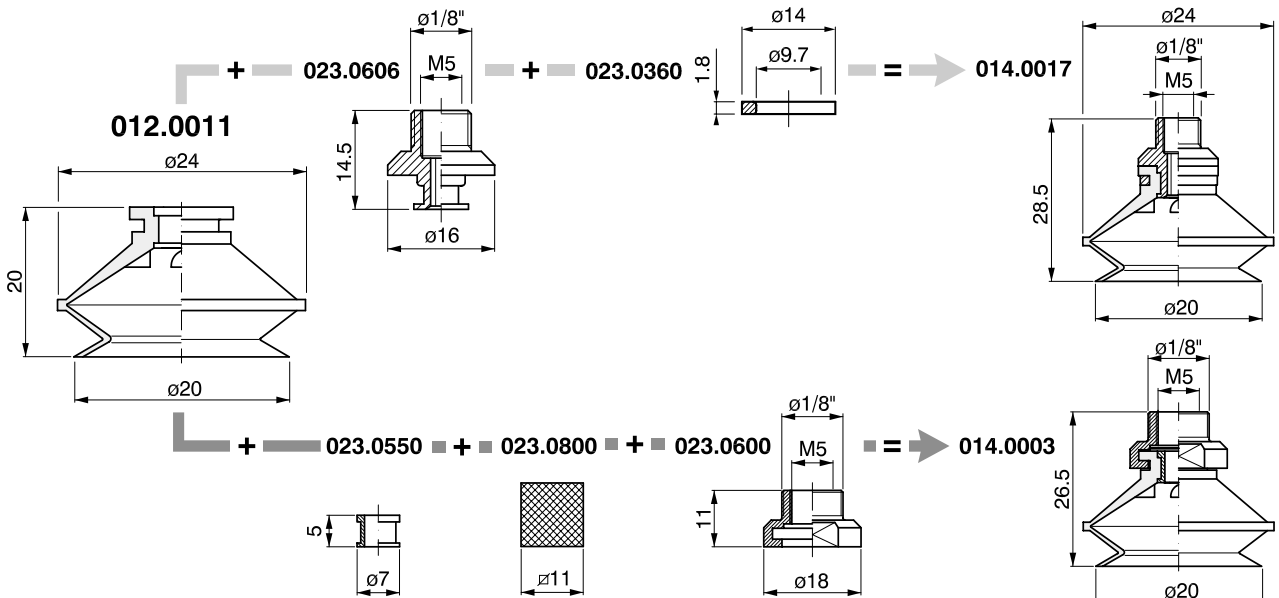
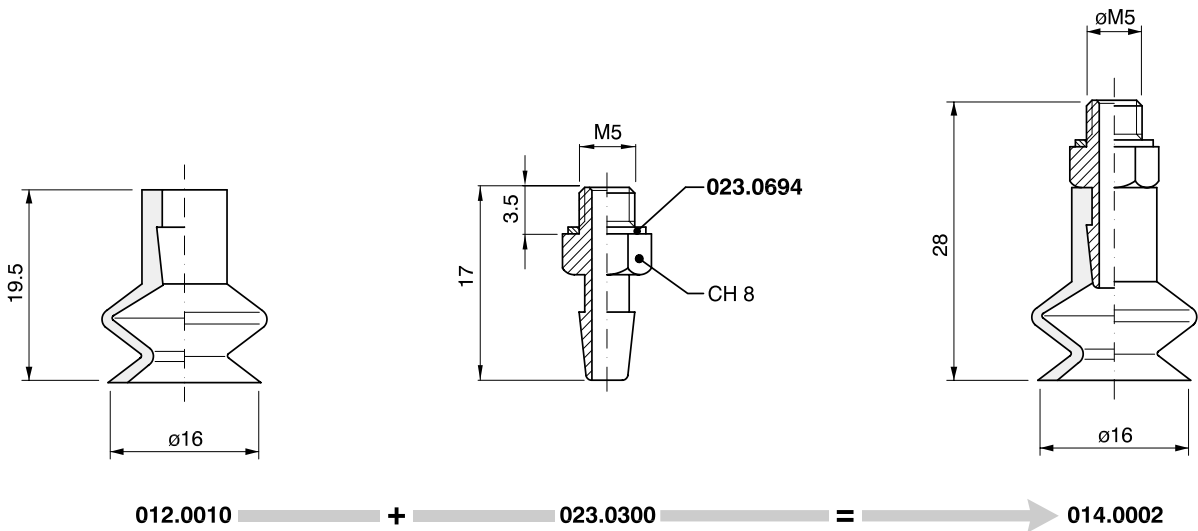
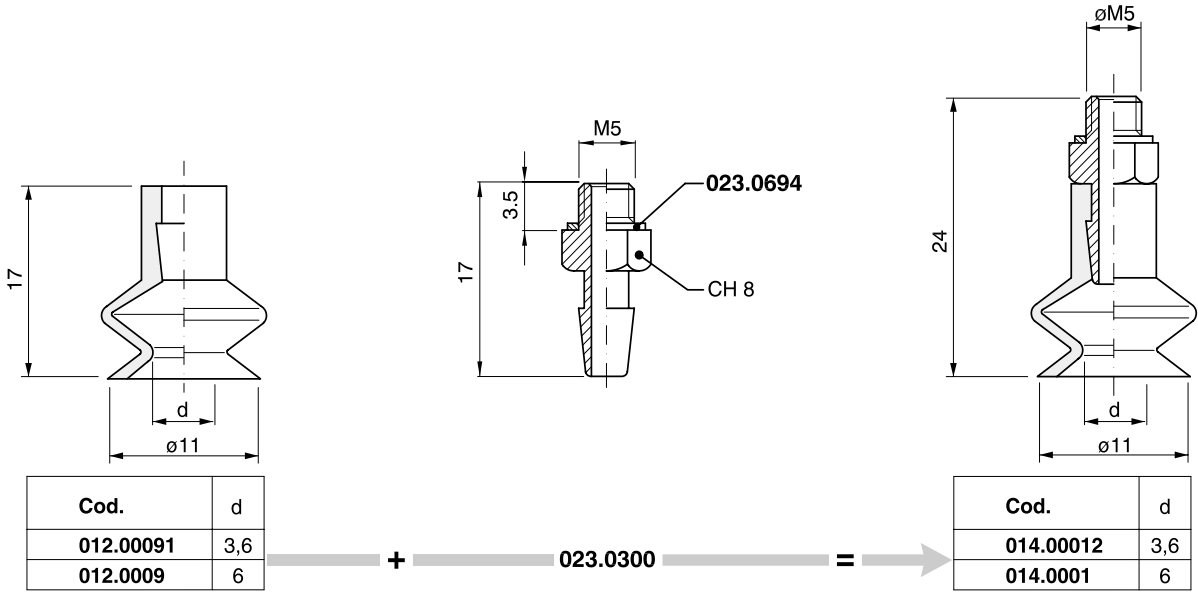
Cod.	A	B	C	D	E	F	G	H	h
006.0164	100	55	25	78	33	8	8	22.5	9
006.0165	150	55	40	128	33	8	8	22.5	9
006.0166	200	55	50	178	33	8	8	22.5	9
006.0167	300	55	100	278	33	8	8	21.5	8
006.0168	500	180	160	432	112	8	8	40	21.5



006.0244





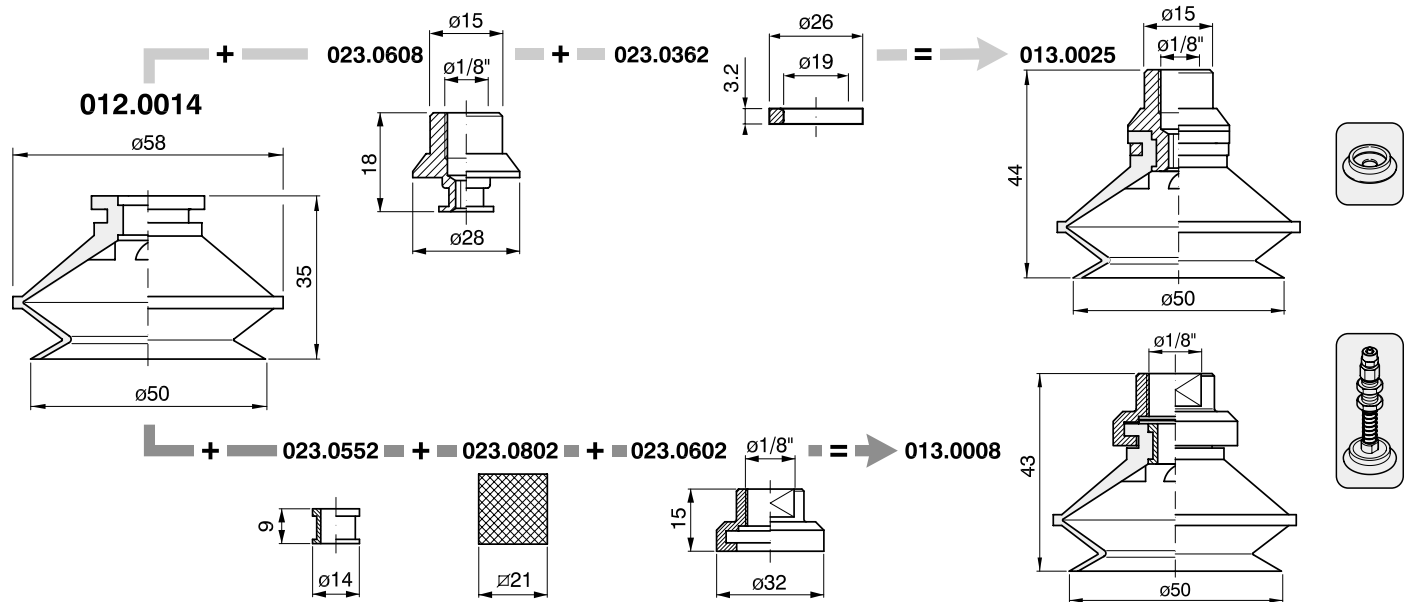
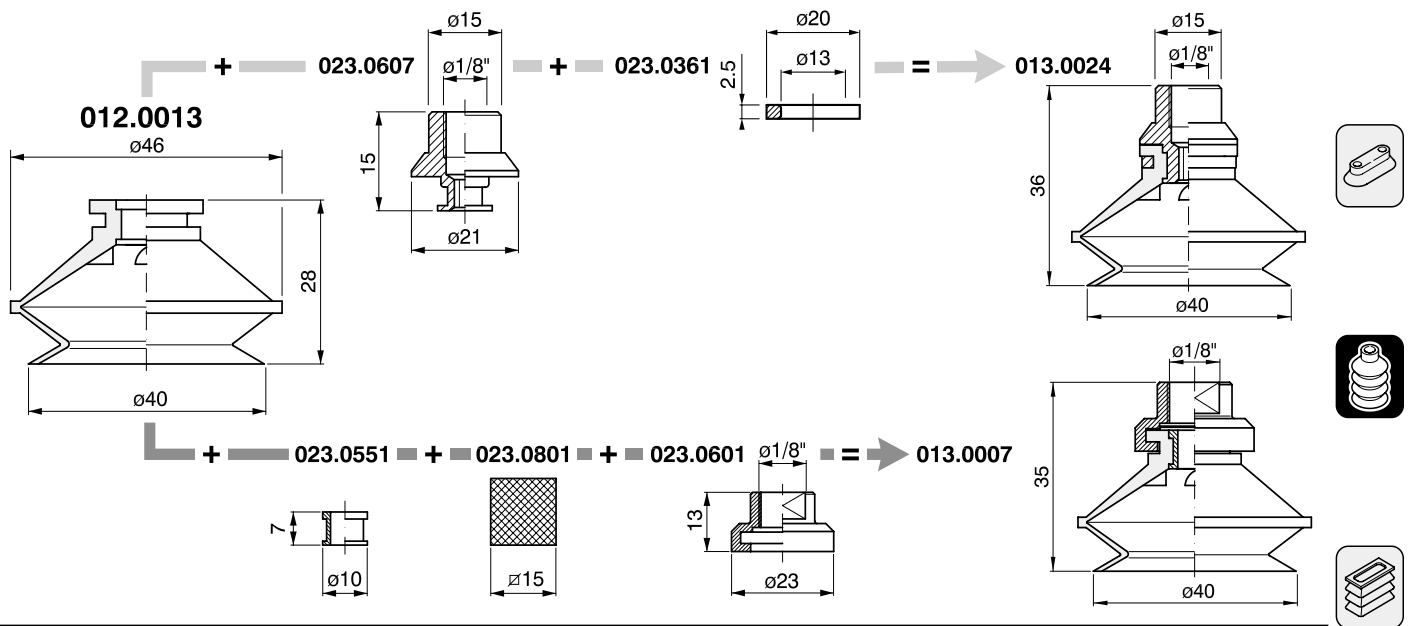
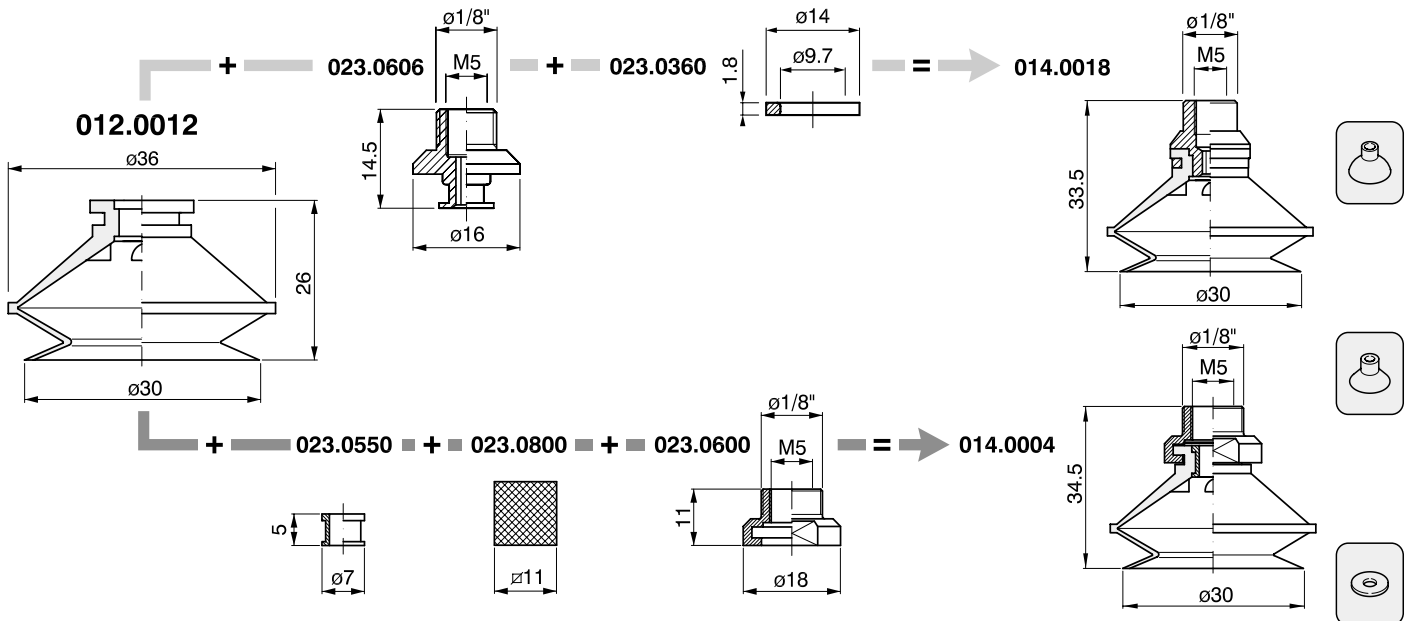


BELLOW-SUCKERS

VENTOUSES A SOUFFLETS

BALGENSAUGER

VENTOSAS DE FUELLE

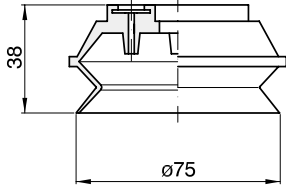


BELLOW-SUCKERS

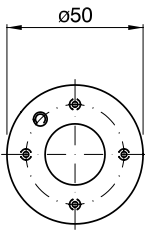
VENTOUSES A SOUFFLETS

BALGENSAUGER

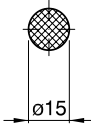
VENTOSAS DE FUELLE



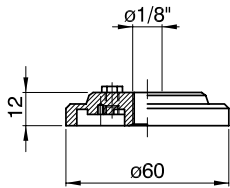
012.0015



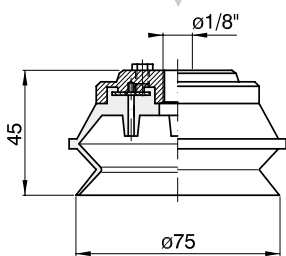
023.0700



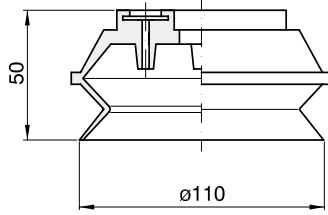
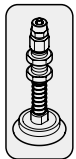
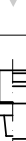
023.0803



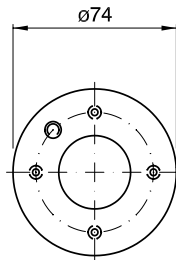
023.0650



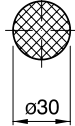
015.0001



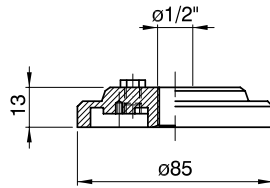
012.0016



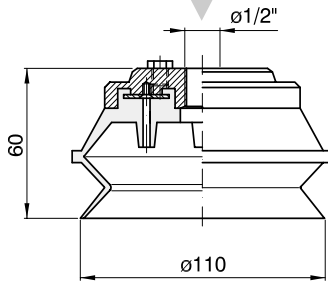
023.0701



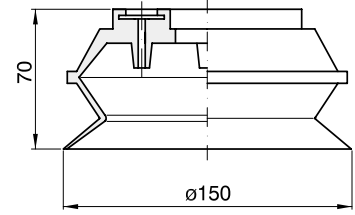
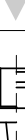
023.0804



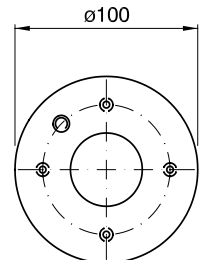
023.0651



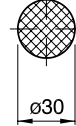
015.0002



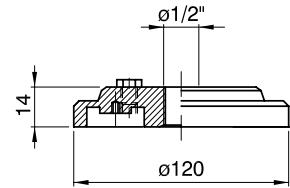
012.0017



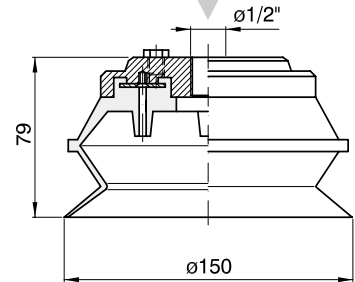
023.0702



023.0804

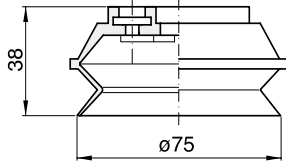


023.0652

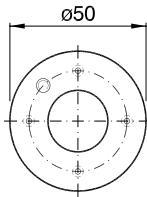


015.0003

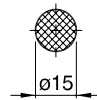




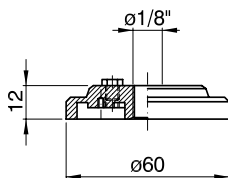
012.00151



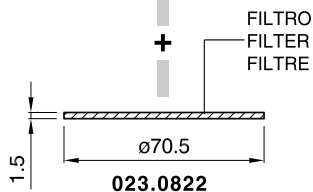
023.0700



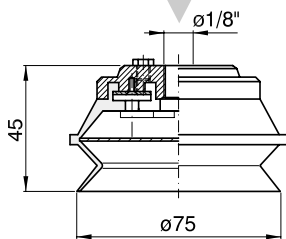
023.0803



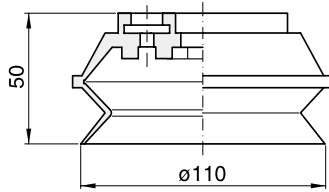
023.0650



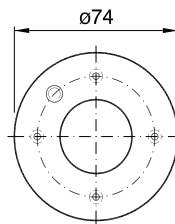
023.0822



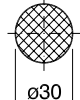
015.00012



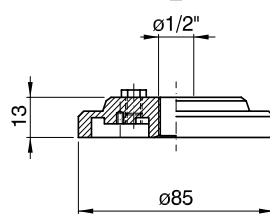
012.00161



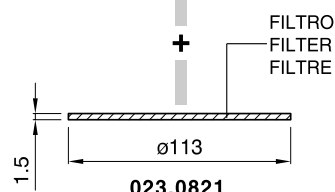
023.0701



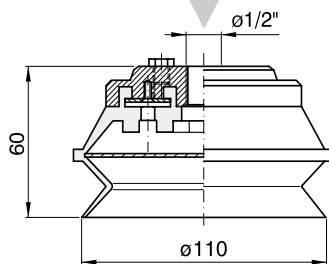
023.0804



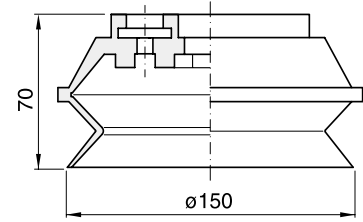
023.0651



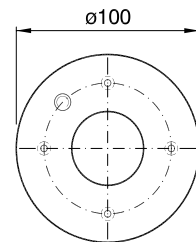
023.0821



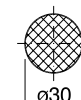
015.00022



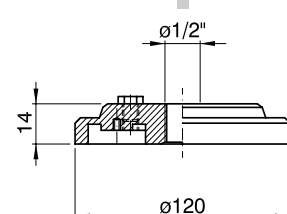
012.00171



023.0702



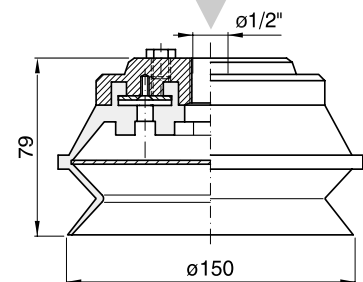
023.0804



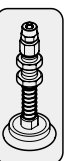
023.0652



023.0820



015.00032

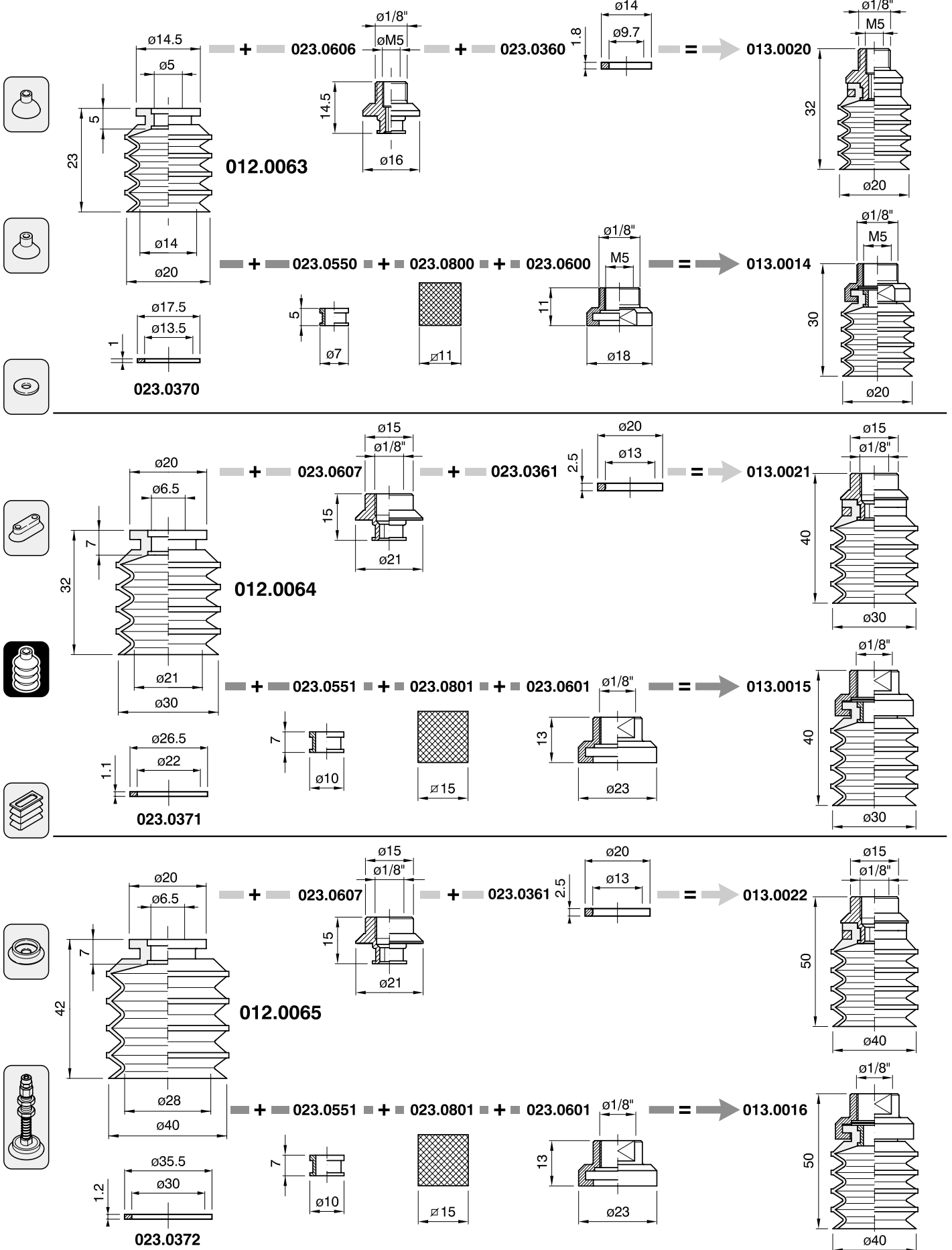


BELLOW-SUCKERS

VENTOUSES A SOUFFLETS

BALGENSAUGER

VENTOSAS DE FUELLE

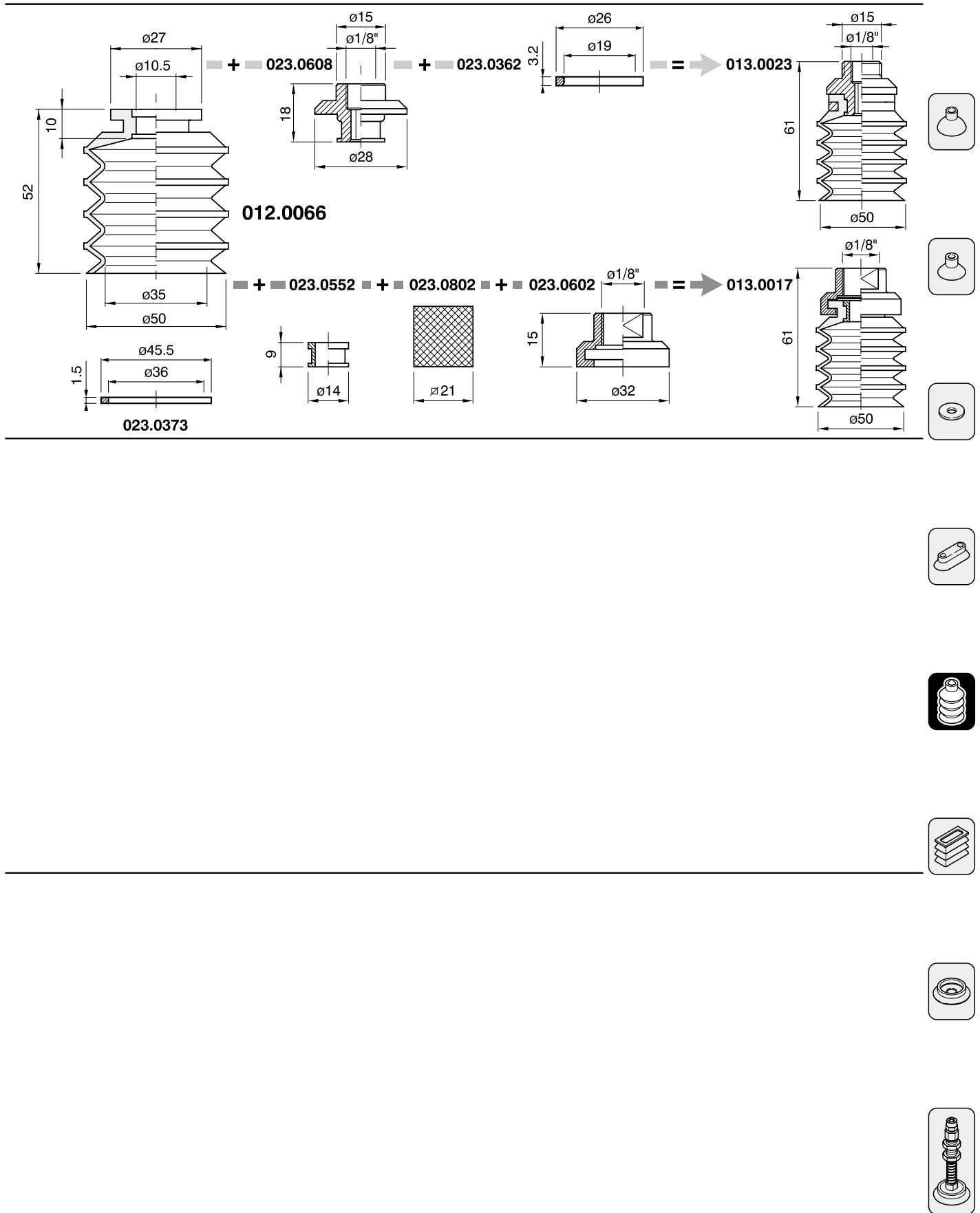


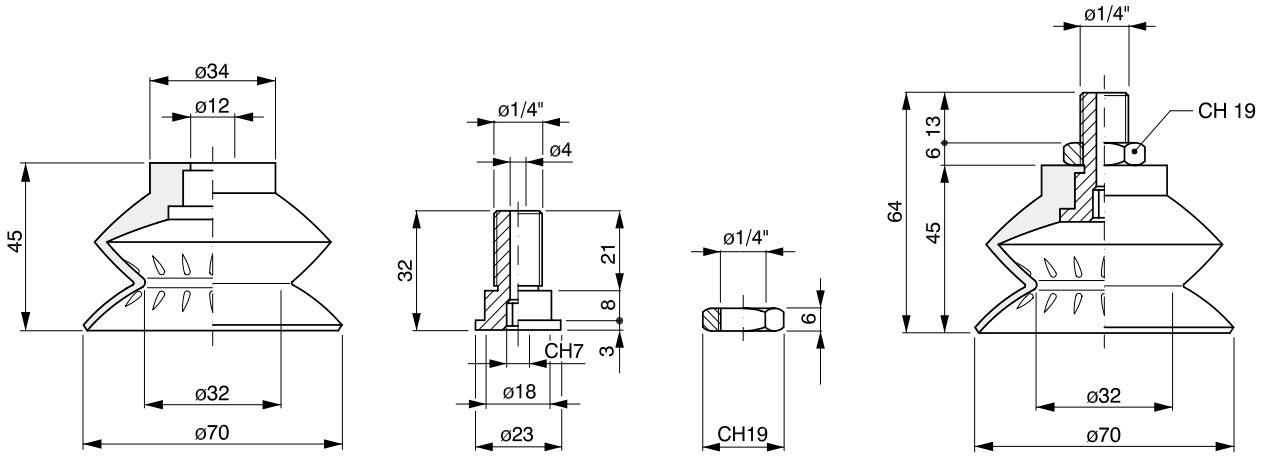
BELLOW-SUCKERS

VENTOUSES A SOUFFLETS

BALGENSAUGER

VENTOSAS DE FUELLE

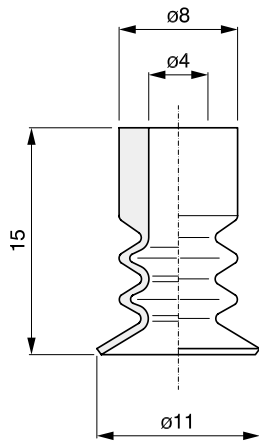




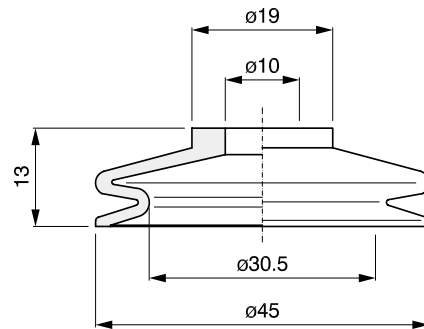
012.0019 + 023.0008 + 023.1004 = 014.0010



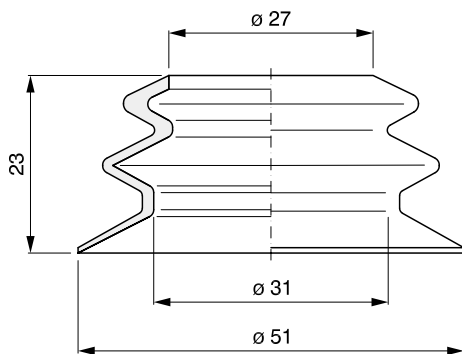
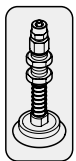
012.0113



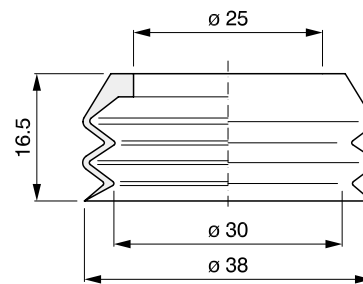
012.0114



012.0162



012.0163

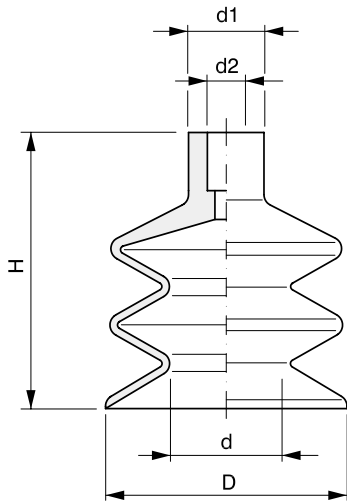


BELLOW-SUCKERS

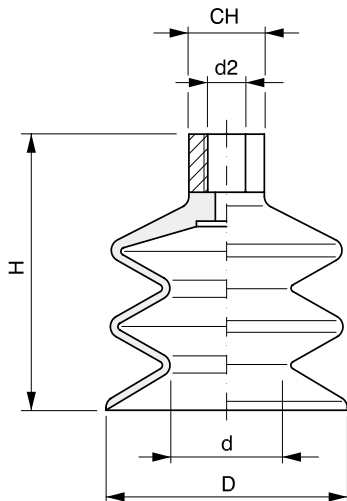
VENTOUSES A SOUFFLETS

BALGENSAUGER

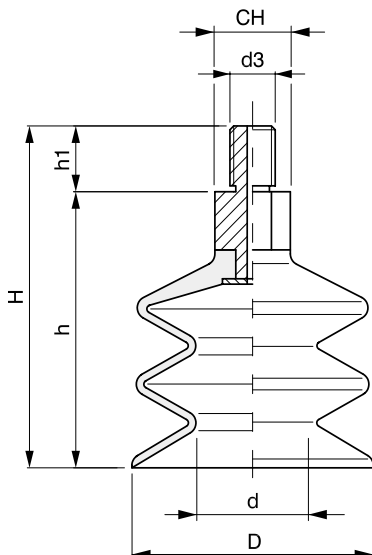
VENTOSAS DE FUELLE



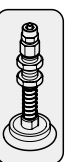
Cod.	D	d	d1	d2	H
012.0074	14	5.5	8	3.9	18
012.0121	20	9.5	10	4.5	23
012.0052	20	10	10	5	22
012.0081	20	10	12	6.5	17.5
012.0001	30	14	20	11	50
012.0085	32	19	17	11	34
012.0100	32	19	17	11	38
012.0103	32	17	18	8	37
012.0002	40	19	20	11	53
012.0058	43	18	18	8	46
012.0041	45	30	19.5	10	20
012.0040	50	25	20	11	42
012.0003	50	29	20	11	50
012.0004	60	41	40	33	60
012.0088	60	28	20	8	55
012.0005	70	50.5	39	32	57
012.0089	85	33	20	8	80



Cod.	D	d	d2	CH	H
013.0001	30	14	1/4"	20	50
013.0032	30	15	1/4"	20	61
013.0033	32	17	1/8"	17	53
013.0002	40	19	1/4"	20	53
013.0034	40	20	1/4"	20	68
013.0030	43	18	1/4"	20	60
013.0003	50	29	1/4"	20	50
013.0011	50	25	1/4"	20	42
013.0031	50	29	1/4"	20	65
013.0009	60	28	1/4"	20	70
013.0010	85	33	1/4"	20	100



Cod.	D	d	d3	CH	H	h	h1
014.0011	30	14	1/4"	17	69	56	13
014.0023	32	17	1/4"	17	58	44	14
014.0012	40	19	1/4"	17	72	59	13
014.0024	43	18	1/4"	17	67	53	14
014.0013	50	29	1/4"	17	69	56	13
014.0014	50	25	1/4"	17	61	48	13
014.0029	60	28	1/4"	17	77	63	14
014.0030	85	33	1/4"	17	102	88	14

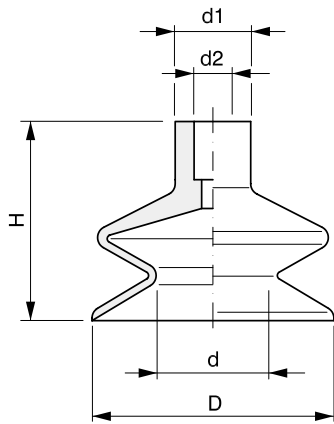


BELLOW-SUCKERS

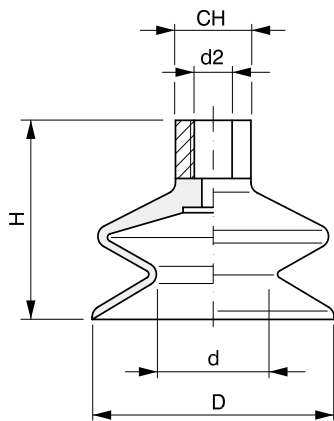
VENTOUSES A SOUFFLETS

BALGENSAUGER

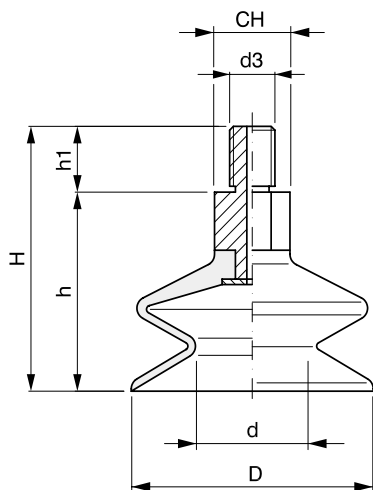
VENTOSAS DE FUELLE



Cod.	D	d	d1	d2	H
012.0099	11.4	4.8	10	5	16
012.0105	16.3	8	10	5	19
012.0112	28	17.3	16	6.8	18
012.0006	30	14	20	11	38
012.0098	33	17	19	8	28
012.0092	37	16	18.5	10	42
012.0007	40	19	20	11	38
012.0093	43	18	18	8	30
012.0072	44	25	20	16	35
012.0008	50	29	20	11	35
012.0018	50	30	24	18	26
012.0049	50	29	20	10	42
012.0067	50	27	20	8	32
012.0075	50	30	20	10	36
012.0090	60	28	20	8	35
012.0091	85	33	20	8	50



Cod.	D	d	d2	CH	H
013.0004	30	14	1/4"	20	38
013.0037	30	15	1/4"	20	52
013.0036	30	17	1/8"	17	42
013.0038	33	17	1/8"	17	45
013.0005	40	19	1/4"	20	38
013.0039	40	20	1/4"	20	55
013.0029	43	18	1/4"	20	45
013.0018	44	25	1/4"	20	35
013.0006	50	29	1/4"	20	35
013.0040	50	30	1/4"	20	54
013.0026	60	28	1/4"	20	51
013.0027	85	33	1/4"	20	68



Cod.	D	d	d3	CH	H	h	h1
014.0005	25	12	8MA		42	30	12
014.0019	30	14	1/4"	17	57	44	13
014.0025	30	17	1/8"	14	42	34	8
014.0006	30	17	8MA		40	28	12
014.0026	33	17	1/4"	17	50	36	14
014.0020	40	19	1/4"	17	57	44	13
014.0007	44	25	10MA		50	35	15
014.0021	50	29	1/4"	17	54	41	13

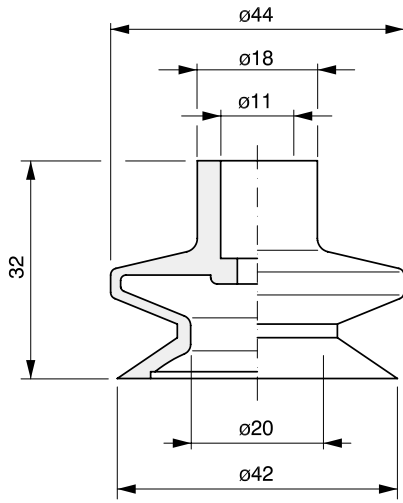
BELLOW-SUCKERS

VENTOUSES A SOUFFLETS

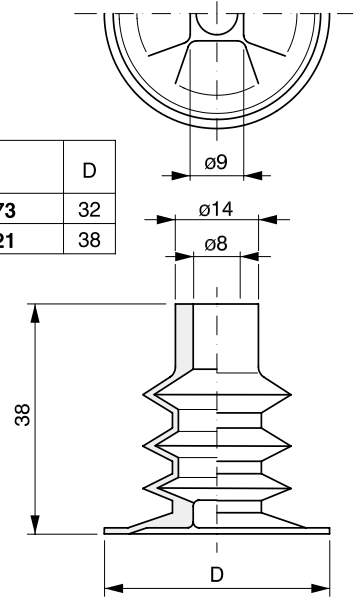
BALGENSAUGER

VENTOSAS DE FUELLE

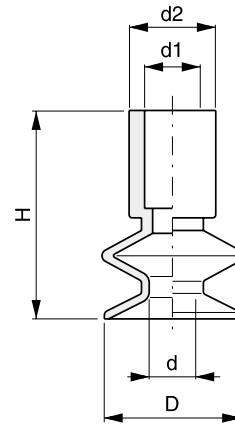
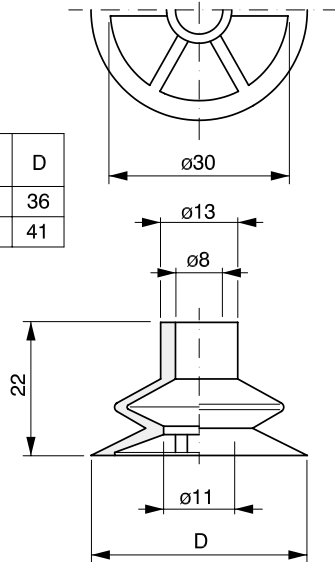
012.0020



Cod.	D
012.0073	32
012.0021	38



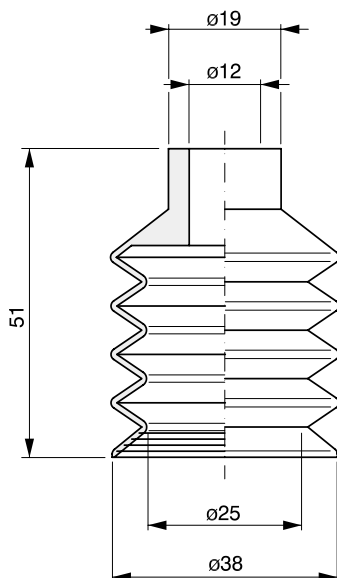
Cod.	D
012.0022	36
012.0048	41



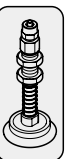
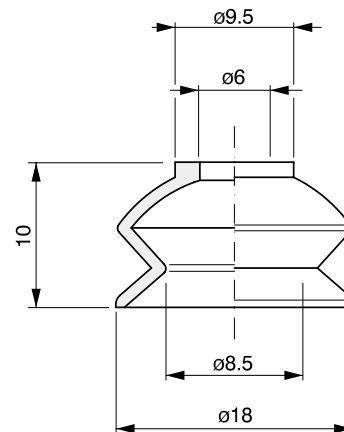
Cod.	D	d	d1	d2	H
012.0023	20	6.5	10.5	16	38
012.0024	25	7.5	10.5	16	38



012.0025



012.0026



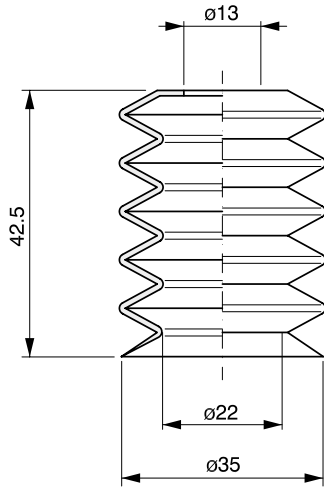
BELLOW-SUCKERS

VENTOUSES A SOUFFLETS

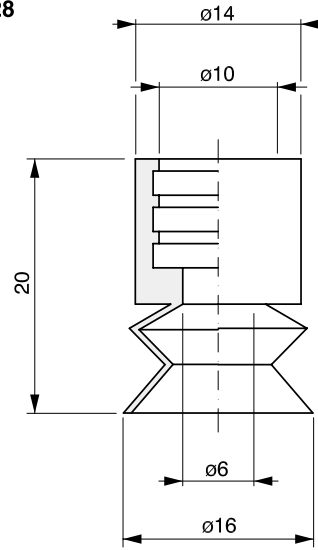
BALGENSAUGER

VENTOSAS DE FUELLE

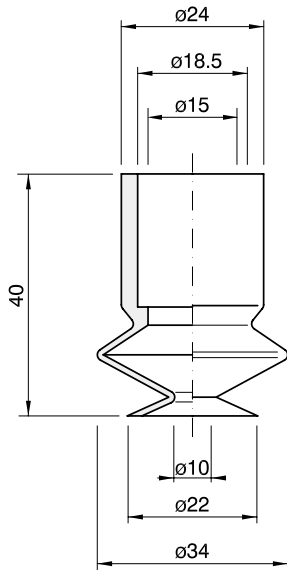
012.0027



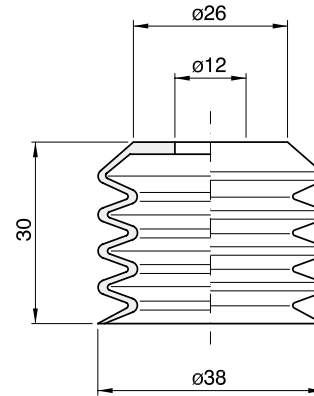
012.0028



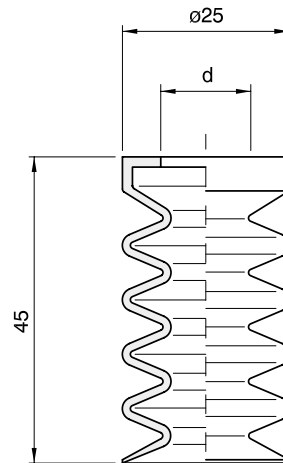
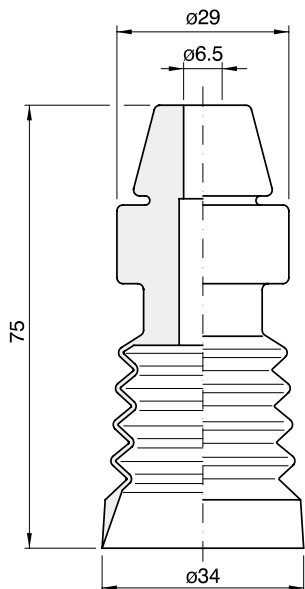
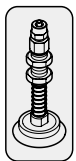
012.0029



012.0033

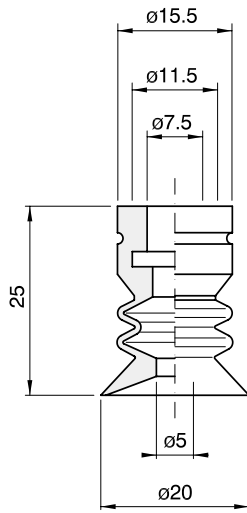


012.0035

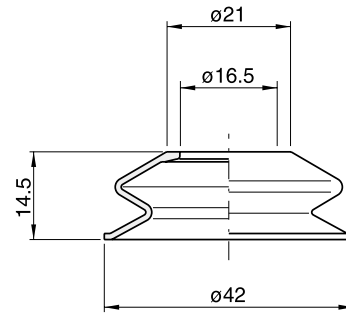


Cod.	d
012.00361	10,5
012.0036	13,5

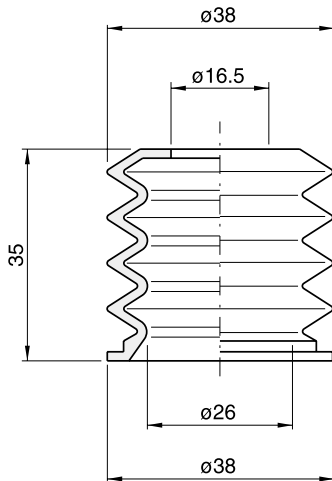
012.0037



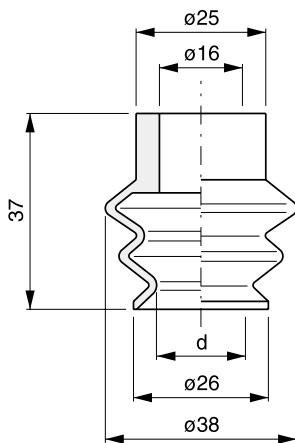
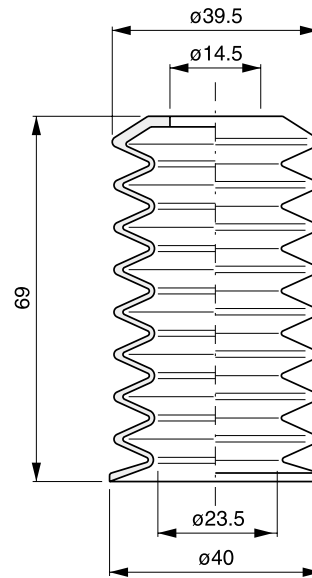
012.0043



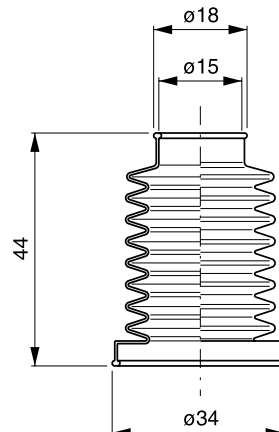
012.0044



012.0045



012.0047



Cod.	d
012.0046	14.5
012.0095	17.5

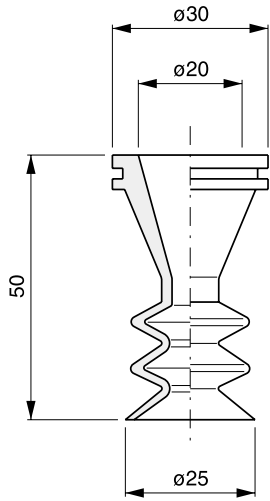
BELLOW-SUCKERS

VENTOUSES A SOUFFLETS

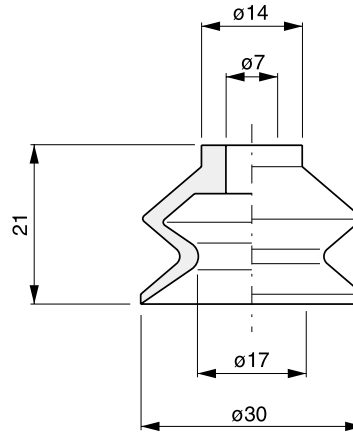
BALGENSAUGER

VENTOSAS DE FUELLE

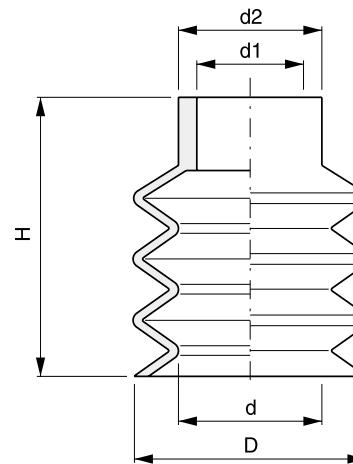
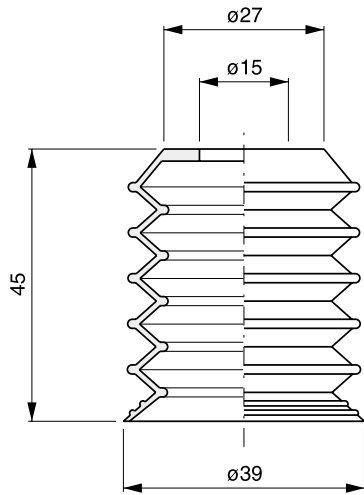
012.0050



012.0077

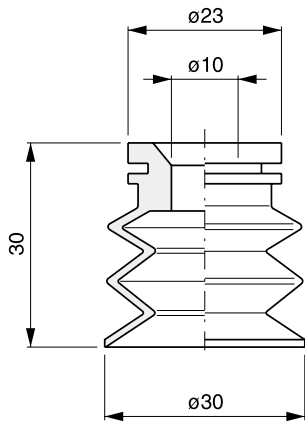
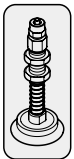


012.0051

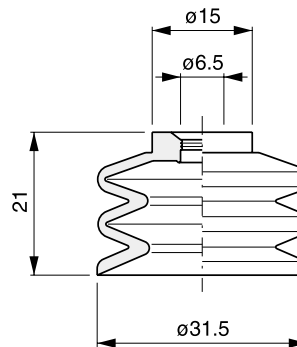


Cod.	D	d	d1	d2	H
012.0034	25	15	5	11	28
012.0054	35	22	16	21.5	41

012.0056



012.0057

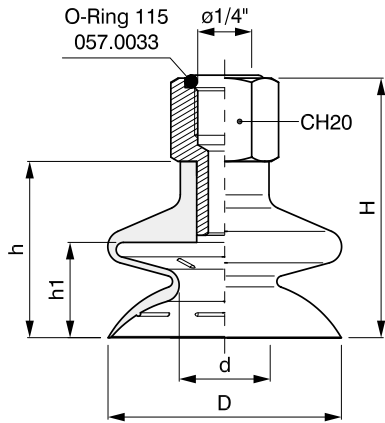


BELLOW-SUCKERS

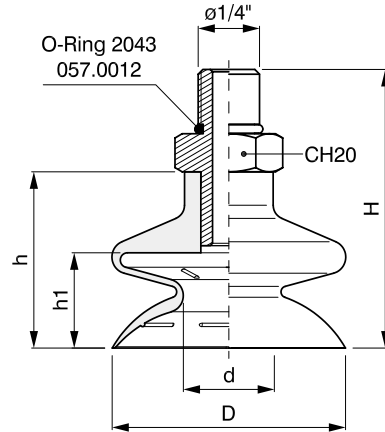
VENTOUSES A SOUFFLETS

BALGENSAUGER

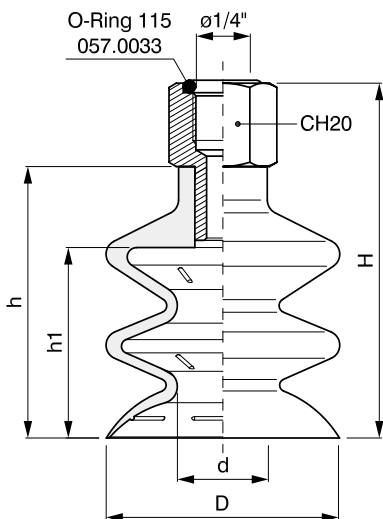
VENTOSAS DE FUELLE



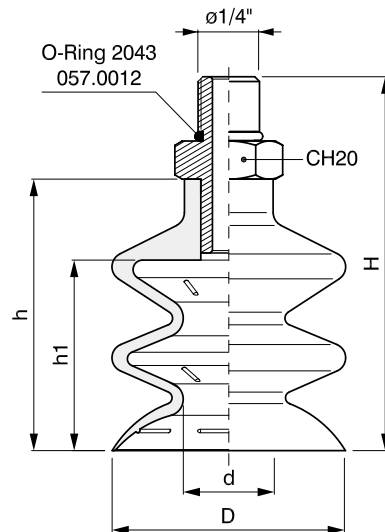
Cod.	D	d	H	h	h1
013.0067	40	16.5	52.5	35	18
013.0068	50	19.5	54.5	37	20
013.0069	60	25	56.5	39	21
013.0070	85	33	67.5	50	31



Cod.	D	d	H	h	h1
014.0058	40	16.5	56.5	35	18
014.0059	50	19.5	58.5	37	20
014.0060	60	25	60.5	39	21
014.0061	85	33	71.5	50	31



Cod.	D	d	H	h	h1
013.0071	40	16.5	69	51.5	34.5
013.0072	50	19.5	74.5	57	40
013.0073	60	25	75.5	58	41
013.0074	85	33	95.5	78	58



Cod.	D	d	H	h	h1
014.0062	40	16.5	73.5	51.5	34.5
014.0063	50	19.5	78.5	57	40
014.0064	60	25	79.5	58	41
014.0065	85	33	99.5	78	58



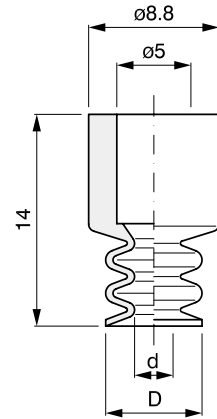
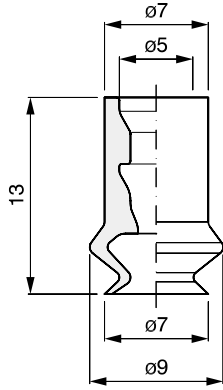
BELLOW-SUCKERS

VENTOUSES A SOUFFLETS

BALGENSAUGER

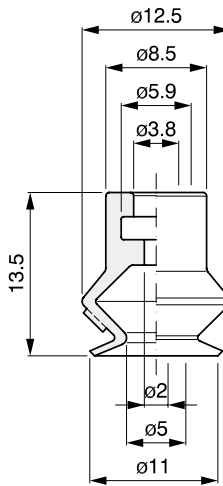
VENTOSAS DE FUELLE

012.0094

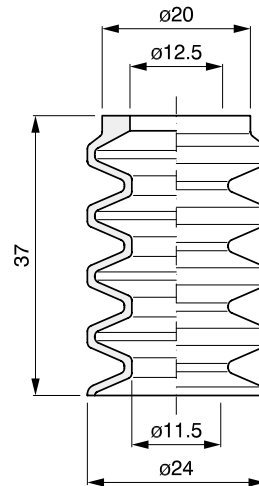


Cod.	D	d
012.0096	5	1
012.0097	6.5	2.6

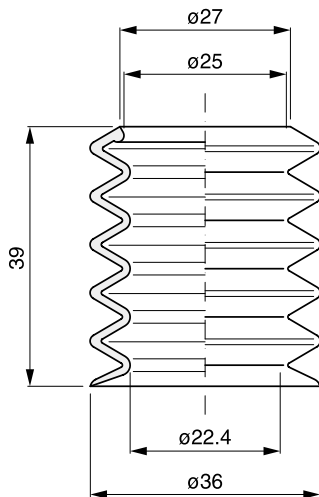
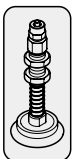
012.0101



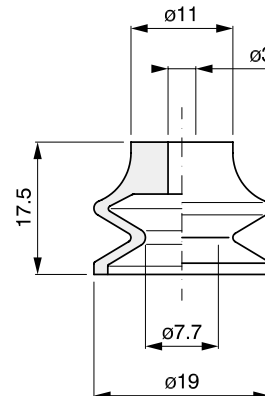
012.0102



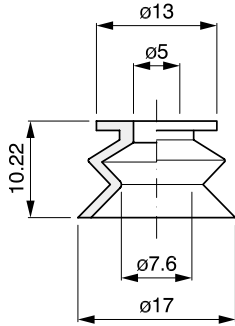
012.0104



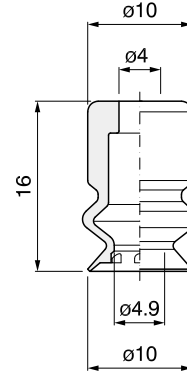
012.0106



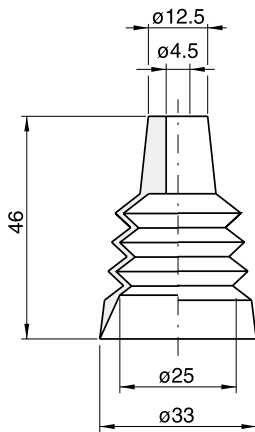
012.0107



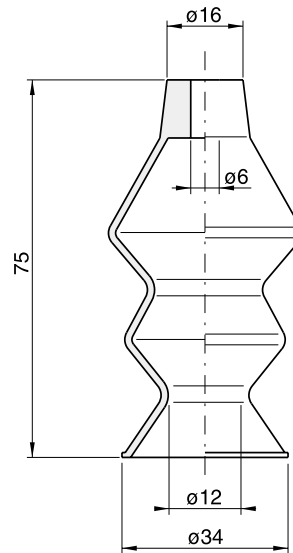
012.0154



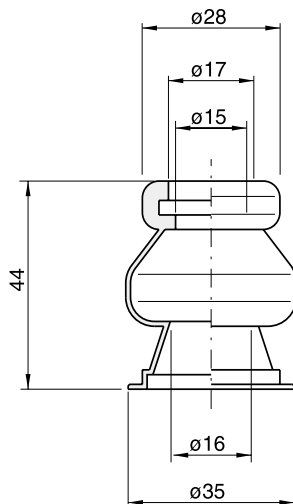
012.0030



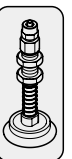
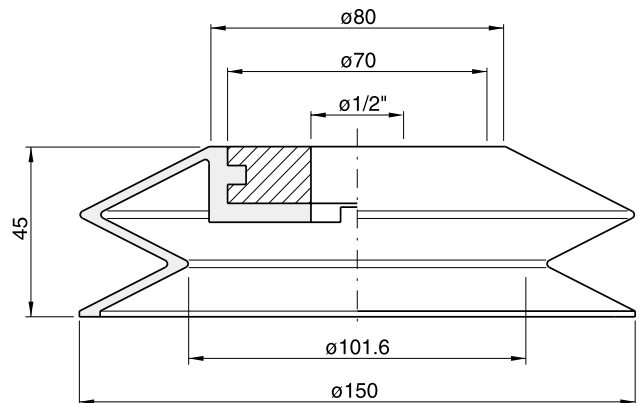
012.0031



012.0032



013.0012



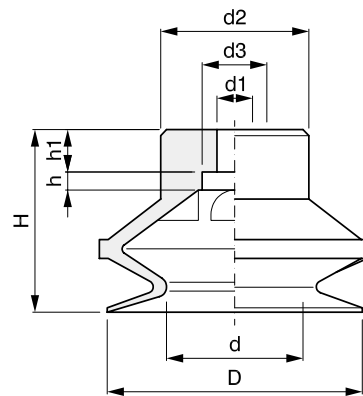
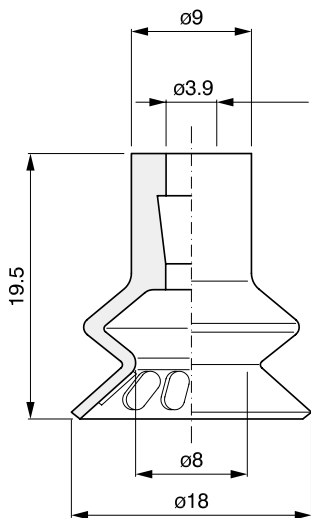
BELLOW-SUCKERS

VENTOUSES A SOUFFLETS

BALGENSAUGER

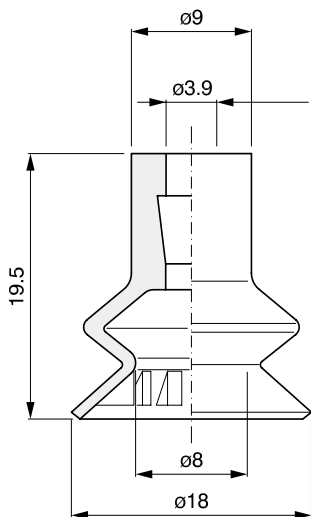
VENTOSAS DE FUELLE

012.0135

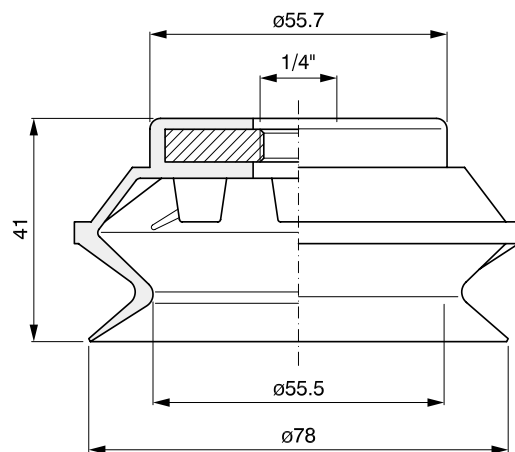


Cod.	D	d	d1	d2	d3	H	h	h1
012.0136	22	11	4.5	15	10,7	19.5	2	4,5
012.0137	32.5	17	6	20	10,7	30.5	3,7	7
012.0138	43	23	6	25	10,7	30	3	7
012.0139	54	32	8.5	28	19,7	36	5,1	7

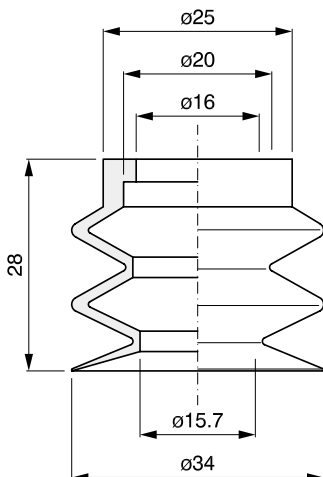
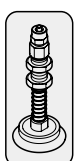
012.0140



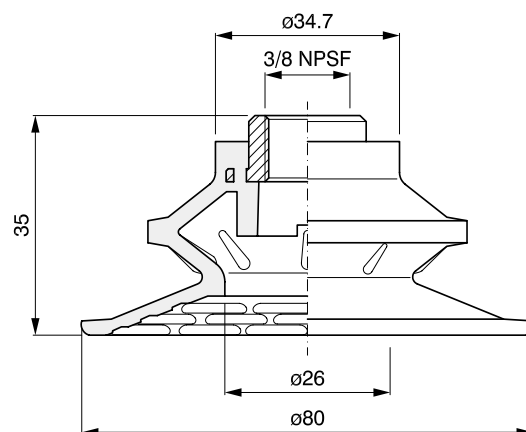
013.0041



012.0141



013.0042



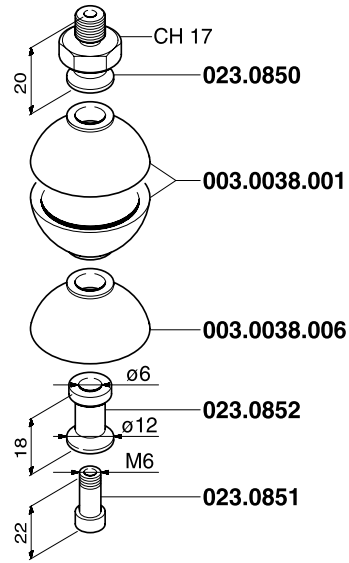
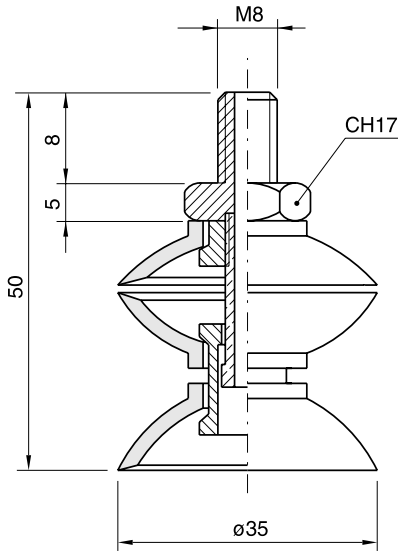
BELLOW-SUCKERS

VENTOUSES A SOUFFLETS

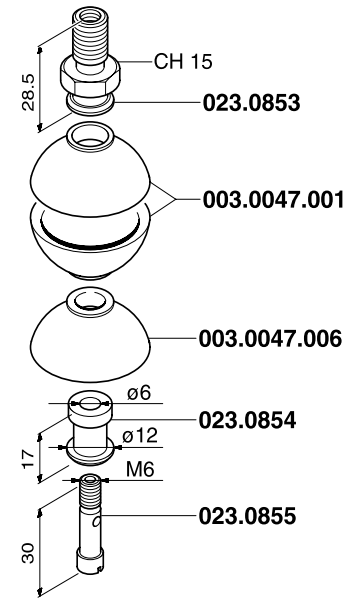
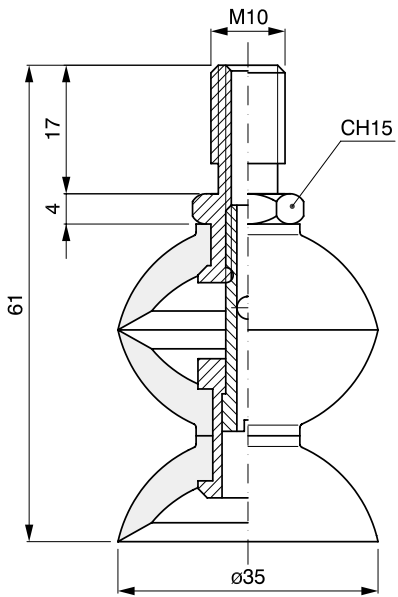
BALGENSAUGER

VENTOSAS DE FUELLE

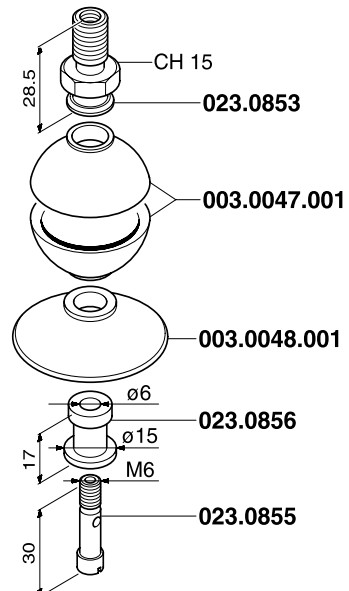
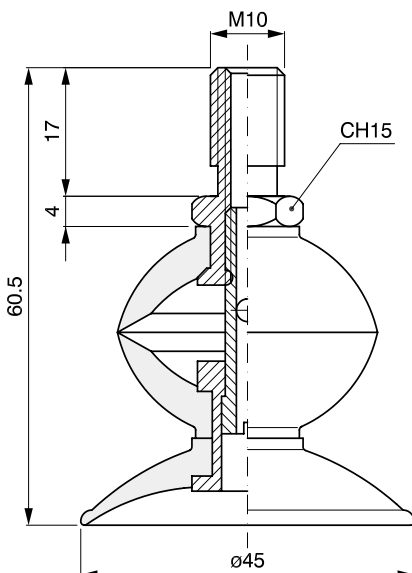
014.0008

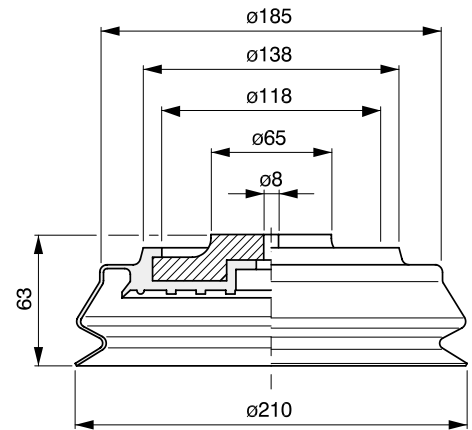
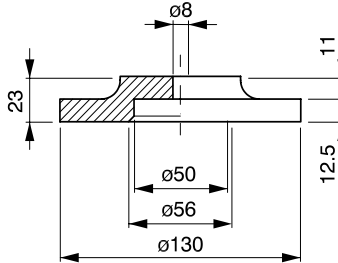
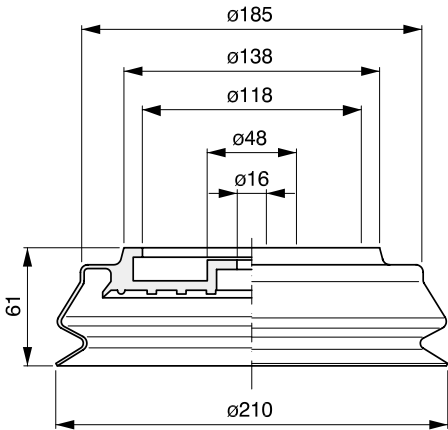
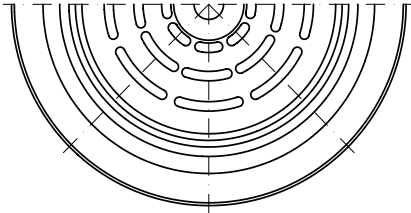


014.00081

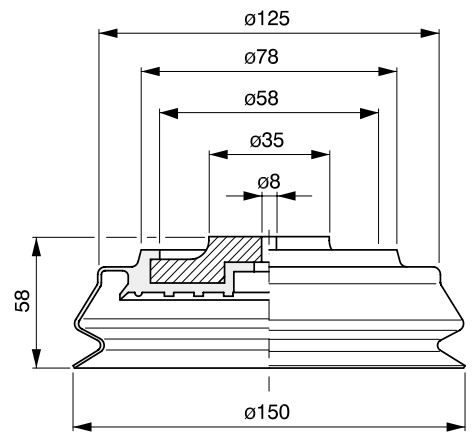
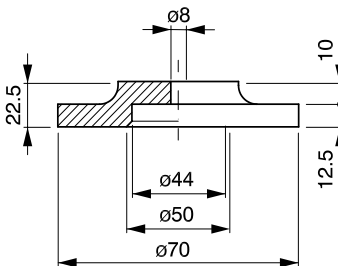
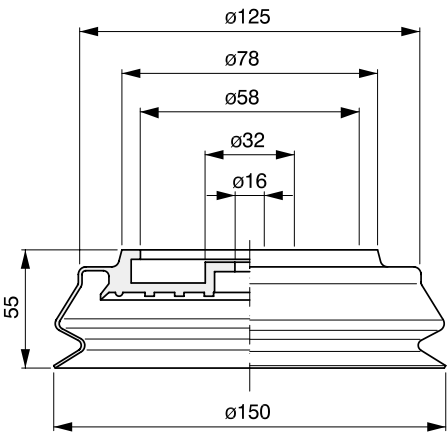
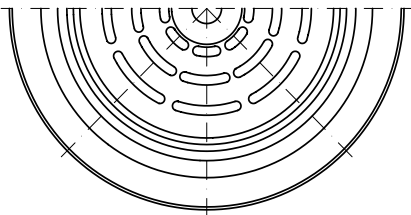


014.00082

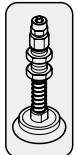




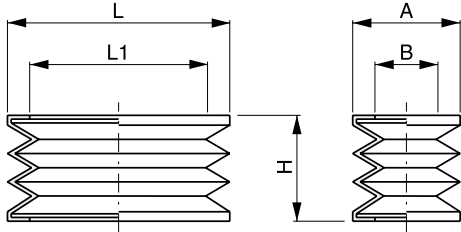
012.0069 + 023.0504 = 015.0004



012.0076 + 023.0505 = 015.0005



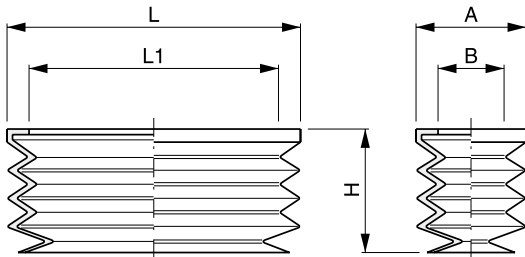
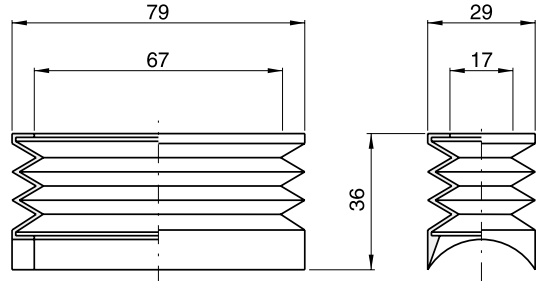




Cod.	L	L1	A	B	H
012.0068	52	40	25	13	28
012.0082	52	40	25	13	26
012.0038	60	48	29	17	28
012.0083	60	48	29	17	26



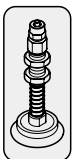
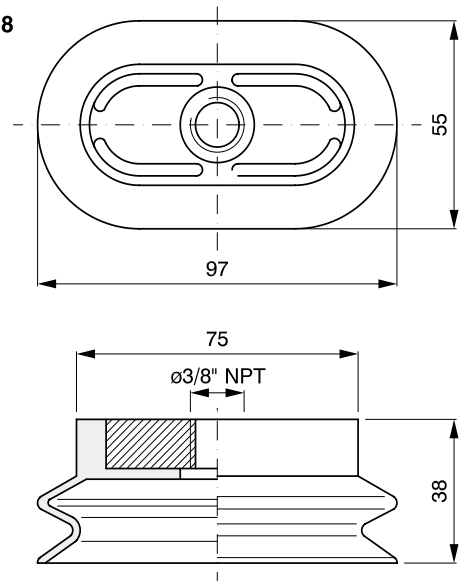
012.0039



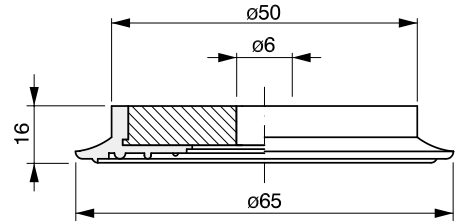
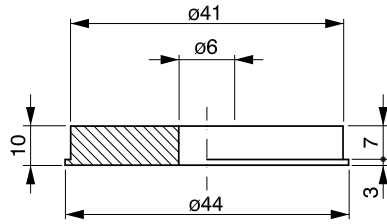
Cod.	L	L1	A	B	H
012.0059	80	68	22	10	33
012.0060	80	68	30	18	33
012.0061	80	68	40	28	33
012.0062	80	68	50	38	33



013.0028



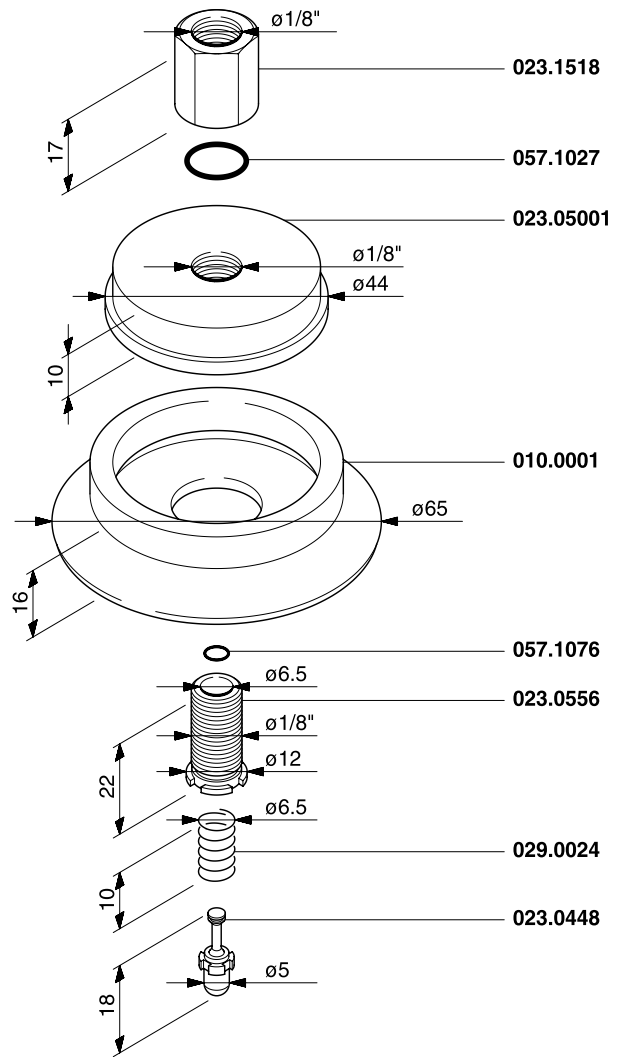




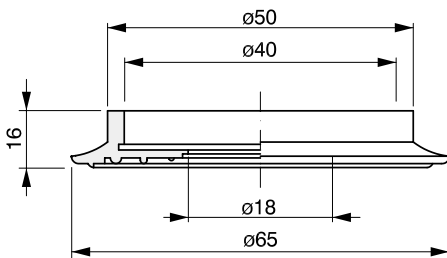
023.0500 = 011.0001



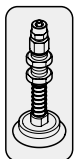
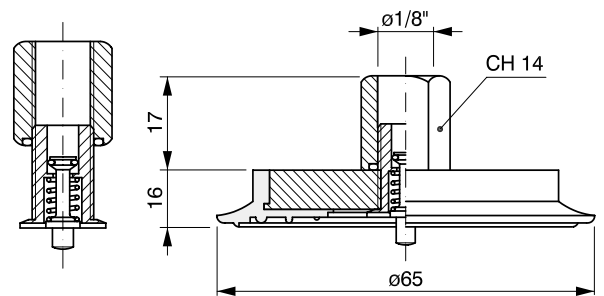
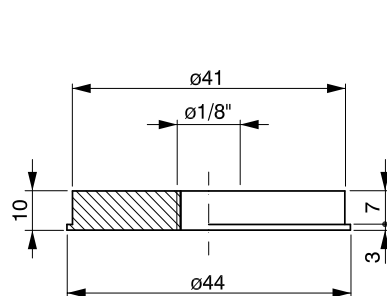
+



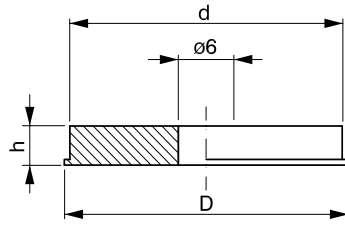
010.0001



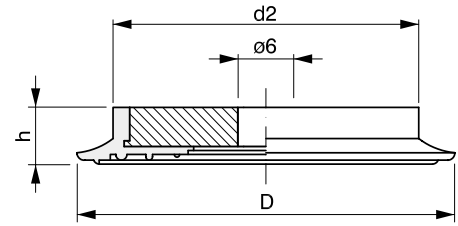
+



023.05001 + 023.0590 = 011.0009



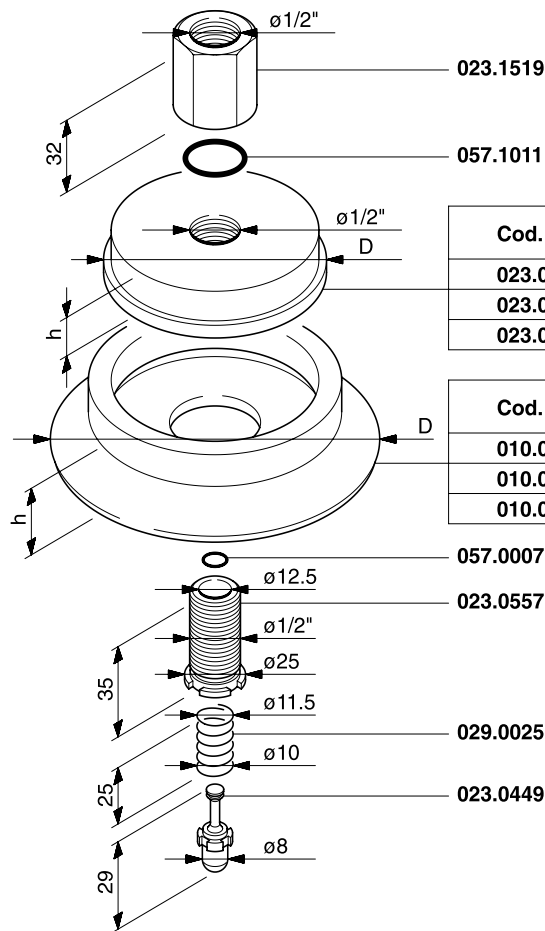
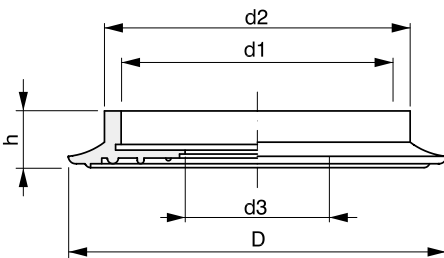
Cod.	D	d	h
023.0501	63	60	11
023.0502	92	88	11
023.0503	127	120	15



Cod.	D	d2	h
011.0002	90	67	16
011.0003	120	97	16
011.0004	160	135	23

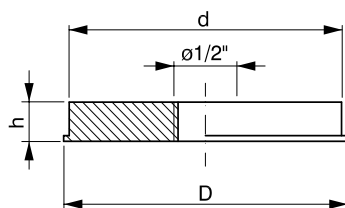


Cod.	D	d1	d2	d3	h
010.0002	90	57	67	25	16
010.0003	120	87	97	54	16
010.0004	160	116	135	64	23

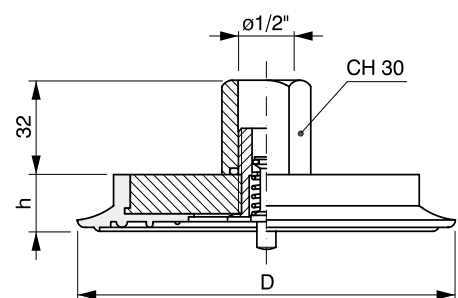
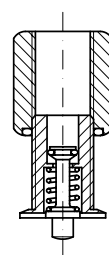


Cod.	D	h
023.05011	63	11
023.05021	92	11
023.05031	127	15

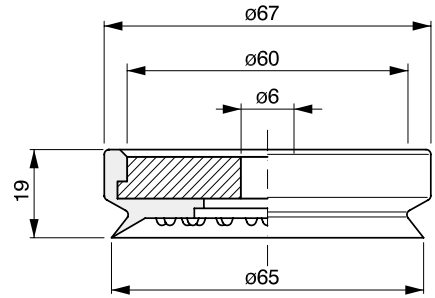
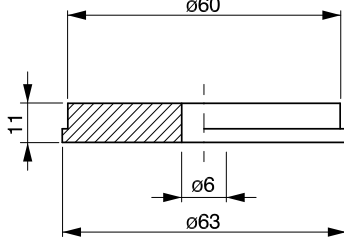
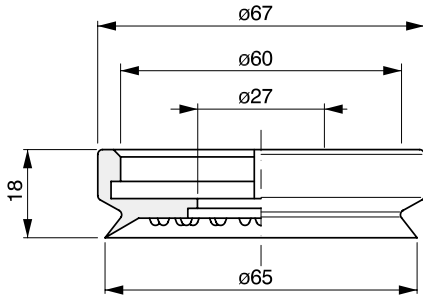
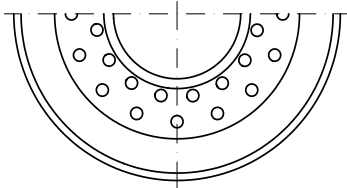
Cod.	D	h
010.0002	90	16
010.0003	120	16
010.0004	160	23



Cod.	D	d	h
023.05011	63	59	11
023.05021	92	88	11
023.05031	127	120	15

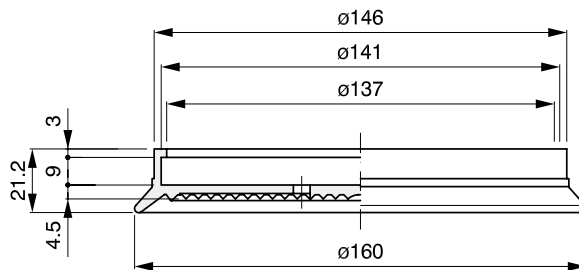
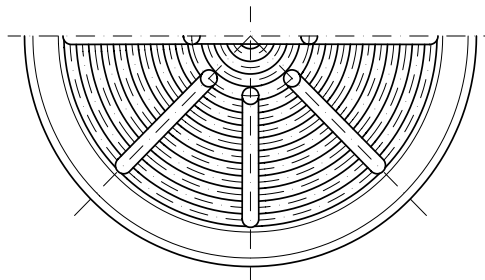


Cod.	D	h
011.0010	90	16
011.0011	120	16
011.0012	160	23

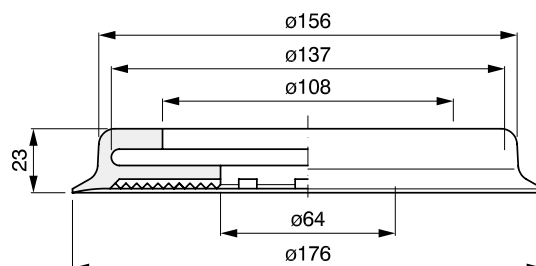
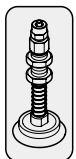
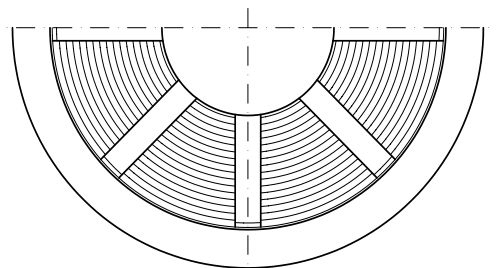


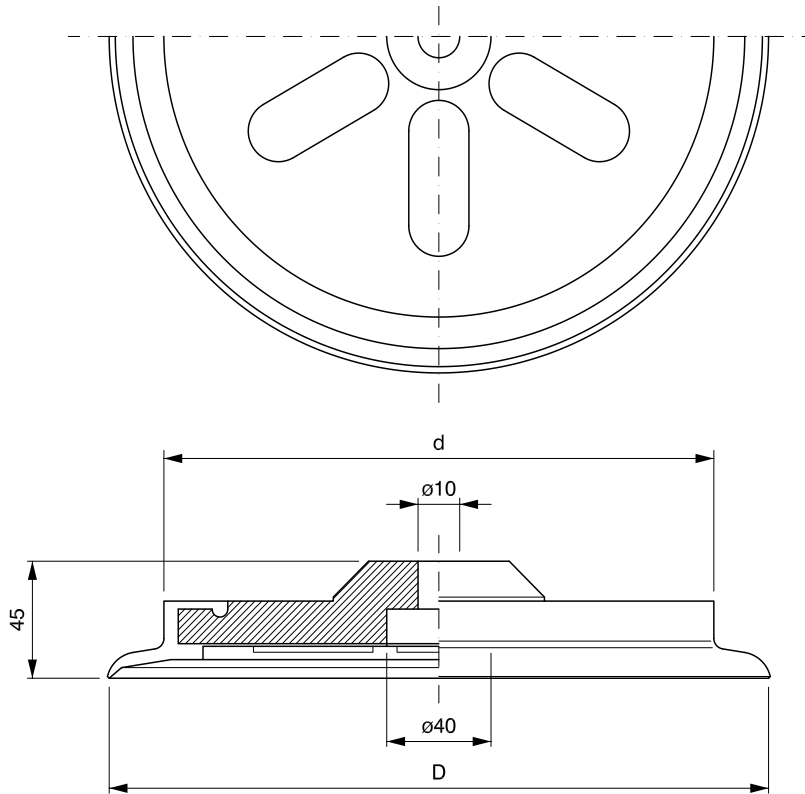
010.0005 + 023.0501 = 011.0008

010.0006

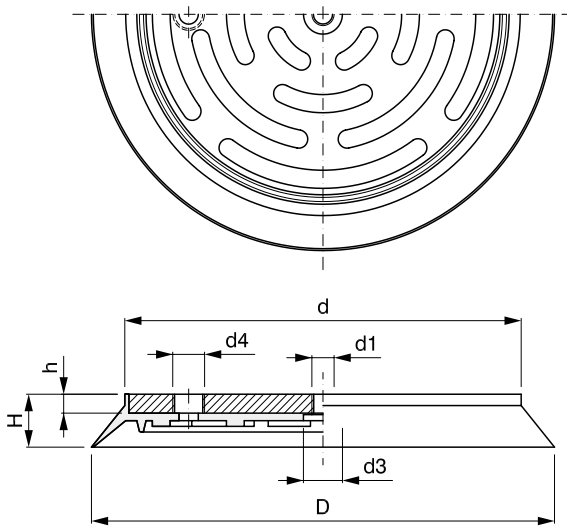


010.0015

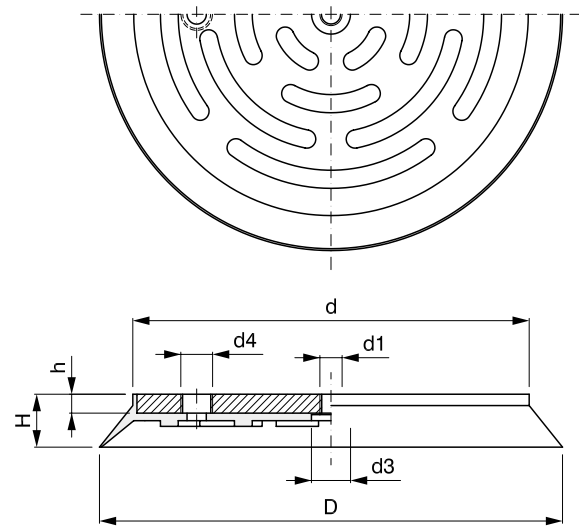




Cod.	d	D
011.0005	215	255
011.0006	245	285

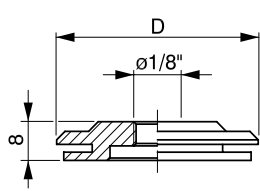


Cod.	D	d	d1	d3	d4	H	h
007.0033	110	74	M8	21	1/4"	26	10
007.0034	110	74	M8	21	1/4"	26	10
011.0027	160	124	M12	21	3/8"	28	10
011.0026	200	164	M12	21	3/8"	28	10
007.0029	240	200	3/8"	30	3/8"	31	8
011.0025	250	214	M12	21	3/8"	28	10
007.0031	300	266	M16	28	1/2"	31	10
007.0032	350	316	M16	28	1/2"	31	10

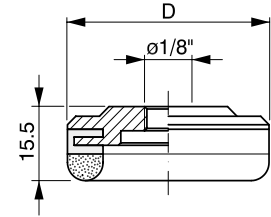


Cod.	D	d	d1	d3	d4	H	h
007.00331	110	74	M12	21	1/4"	26	10
007.00341	110	74	M12	21	1/4"	26	10



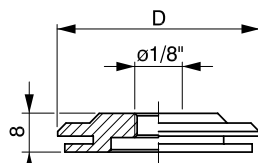
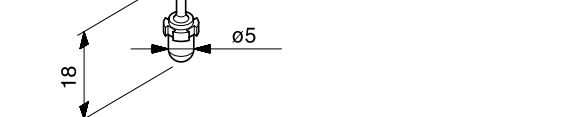
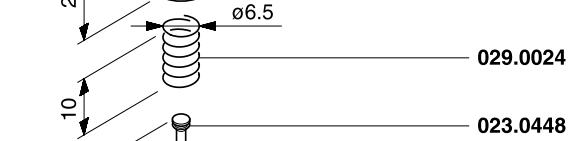
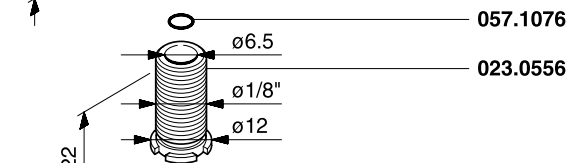
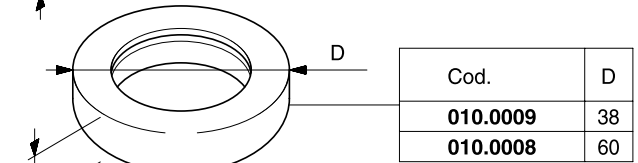
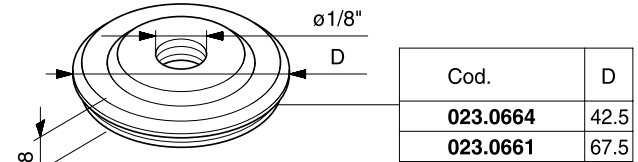
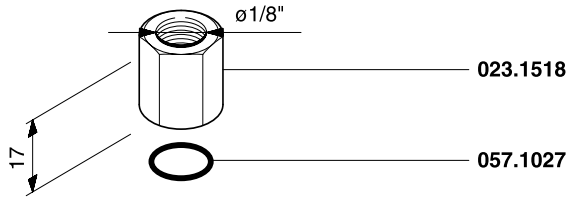
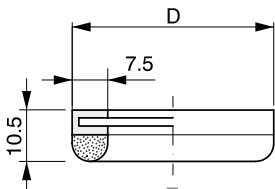


Cod.	D
023.0664	42.5
023.0661	67.5

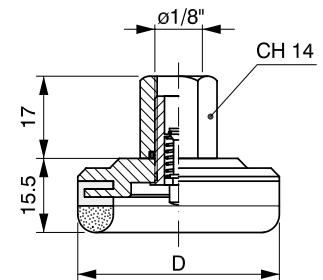
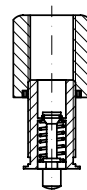


Cod.	D
011.0015	42.5
011.0014	67.5

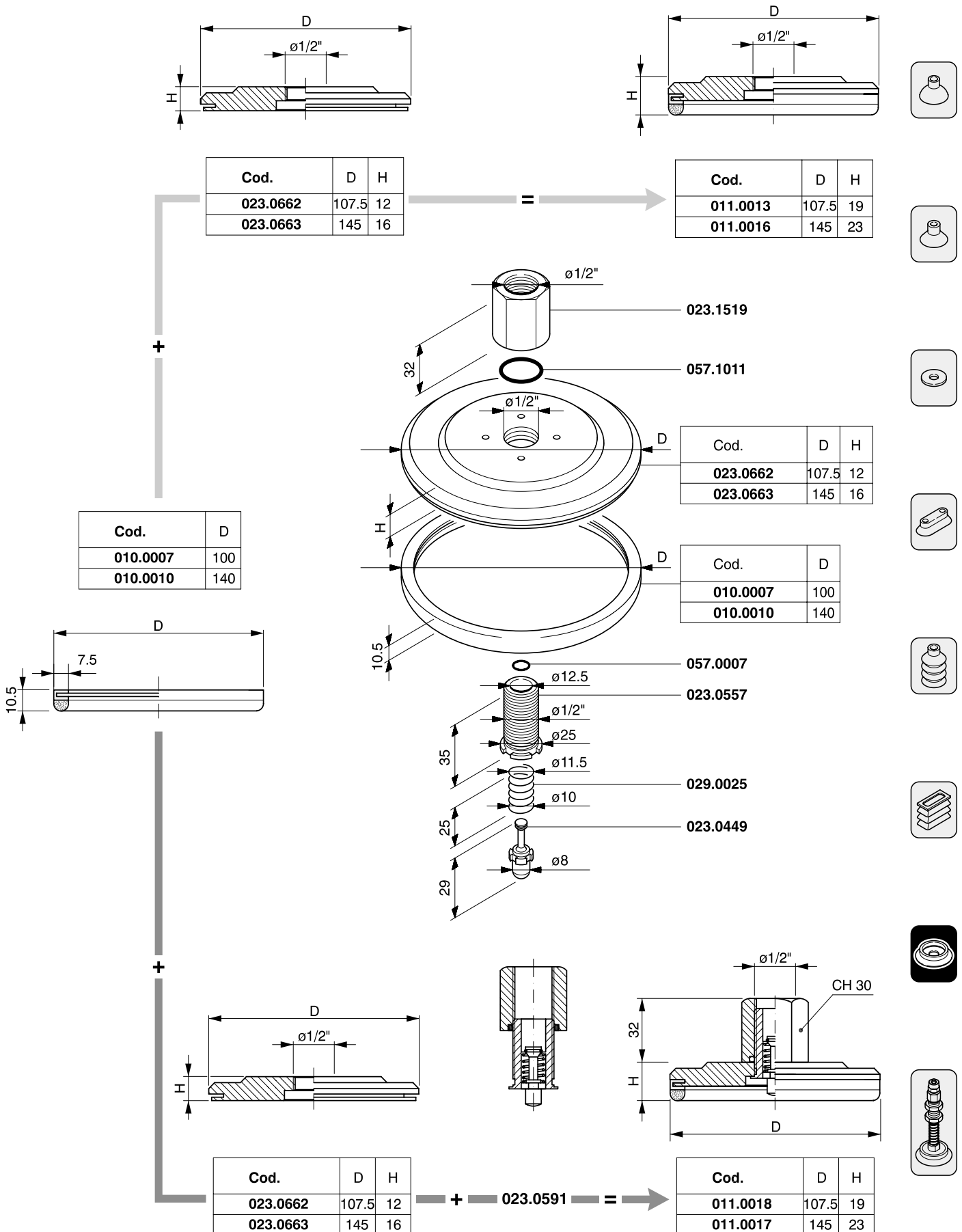
Cod.	D
010.0009	38
010.0008	60

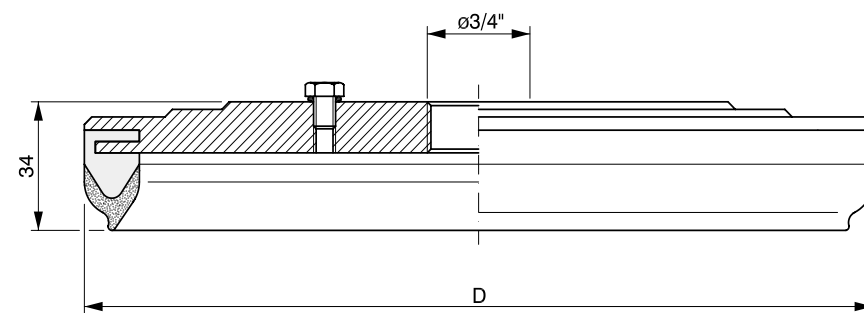
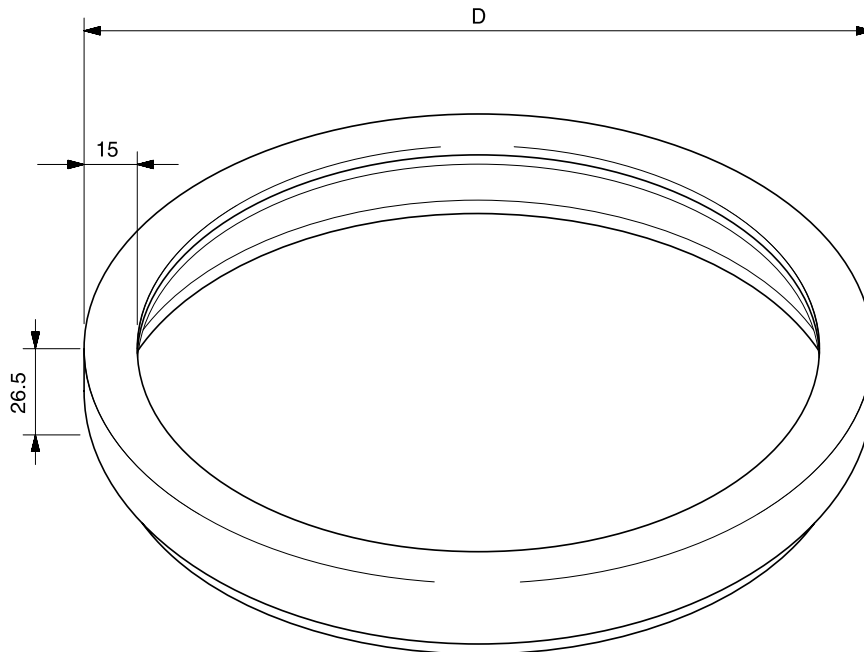
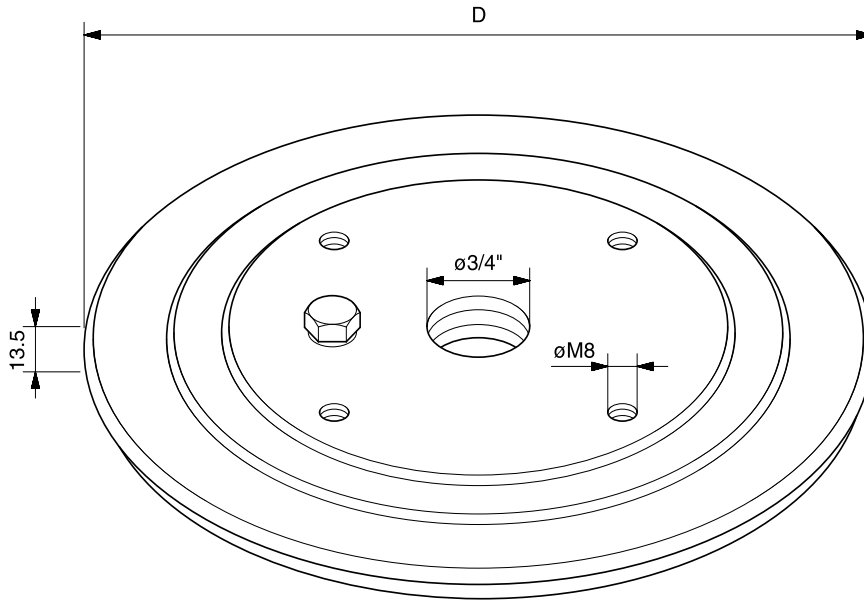
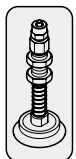


Cod.	D
023.0664	42.5
023.0661	67.5



Cod.	D
011.0020	42.5
011.0019	67.5





Cod.	D
023.0656	215
023.0657	315

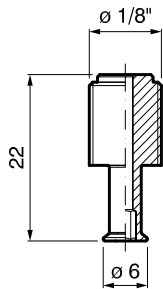


Cod.	D
010.0011	210
010.0012	310



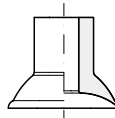
Cod.	D
011.0021	215
011.0022	315





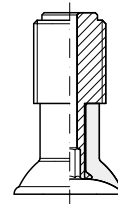
023.0001

+

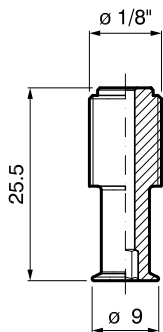


003.0009
003.0010
003.0011
003.0031

=

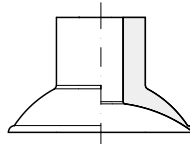


005.0019
005.0020
005.0021
005.0022



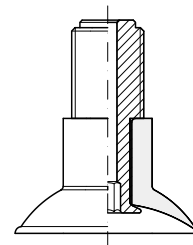
023.0002

+

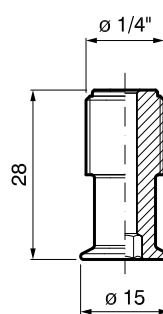


003.0014
003.0016

=

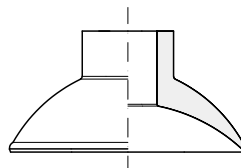


005.0007
005.0008



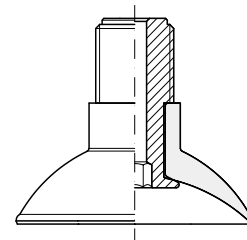
023.0003

+

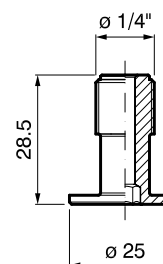


003.0018
003.0064
003.0019

=

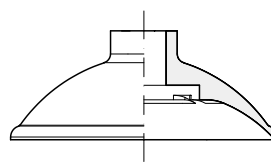


005.0009
005.0033
005.0010



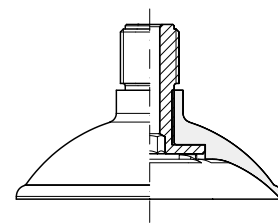
023.0004

+

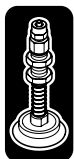


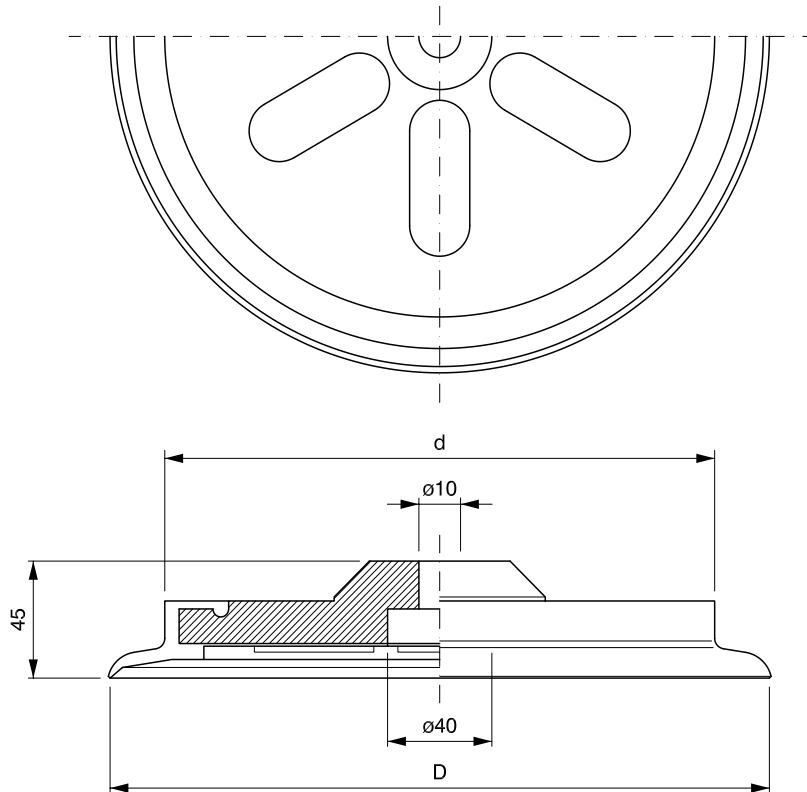
003.0045
003.0020
003.0039

=



005.0028
005.0011
005.0029

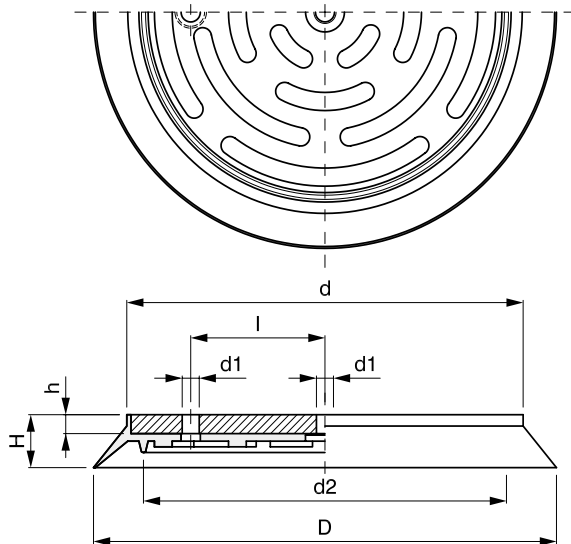




Cod.	d	D
011.0005	215	255
011.0006	245	285

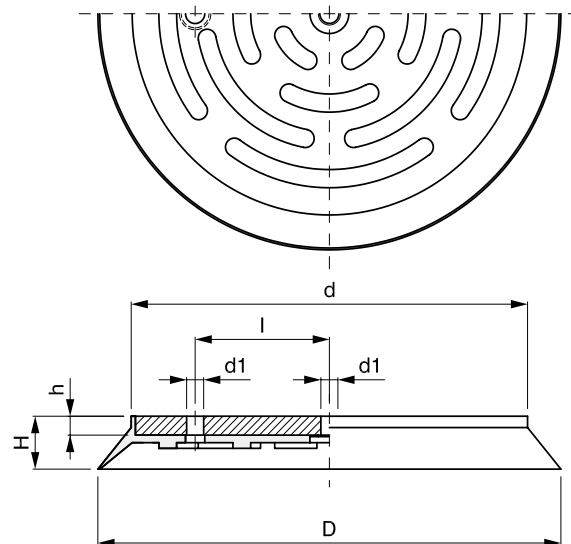


Type A



Cod.	D	d	d1	d2	l	H	h
007.0033	110	74	6	68	26	26	10
011.0027	160	124	10	110	44	28	10
011.0026	200	164	10	150	47.5	28	10
007.0029	240	200	10	182.2	67	31	8
011.0025	250	214	10	196	72.5	28	10
007.0031	300	266	10	248	89	31	10
007.0032	350	316	10	298	89	31	10

Type B



Cod.	D	d	d1	l	H	h
007.0034	110	74	6	26	26	10
007.0035	150	115	10	40	26	10
011.00261	200	164	10	47.5	28	10
007.0036	250	214	10	72.5	28	10
007.0037	300	266	10	89	31	10
007.0038	350	316	10	89	31	10

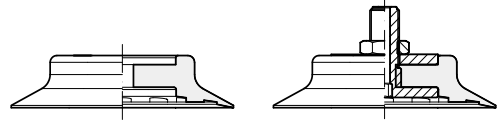
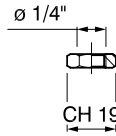
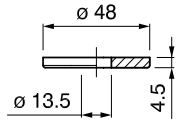
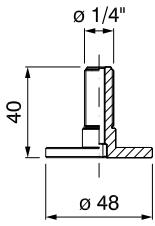


SUCKER FITTING

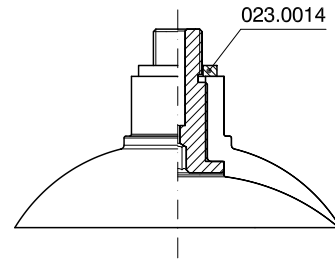
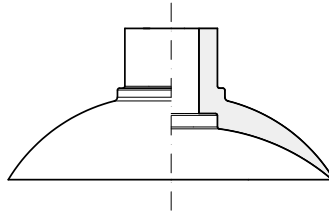
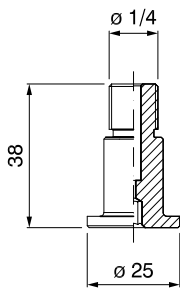
SUPPORT POUR VENTOUSE

SAUGERTRÄGER

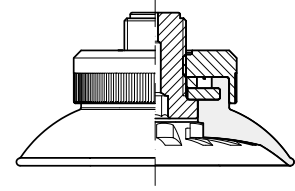
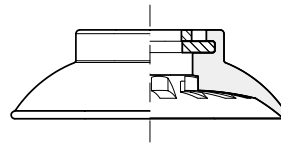
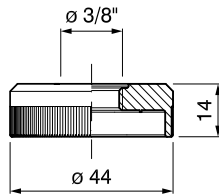
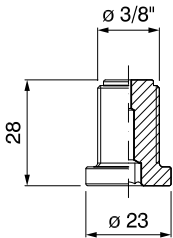
SOPORTE POR VENTOSA



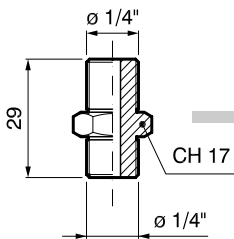
023.0011 + **023.0012** + **023.1004** + **006.0041** = **008.0030**



023.0013 + **003.0021** = **005.0026**

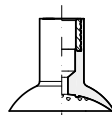


023.0015 + **023.0658** + **003.0042** = **005.0027**



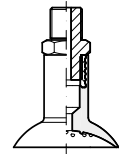
023.0200

004.0002
004.0003
004.0004
004.0005
004.0006

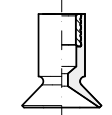


=

005.0002
005.0003
005.0004
005.0005
005.0006

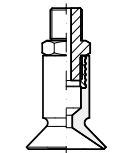


007.0001
007.0002
007.0003
007.0004
007.0005

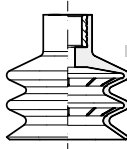


=

008.0001
008.0002
008.0003
008.0004
008.0005

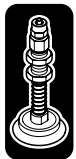
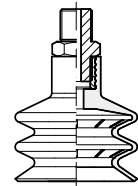


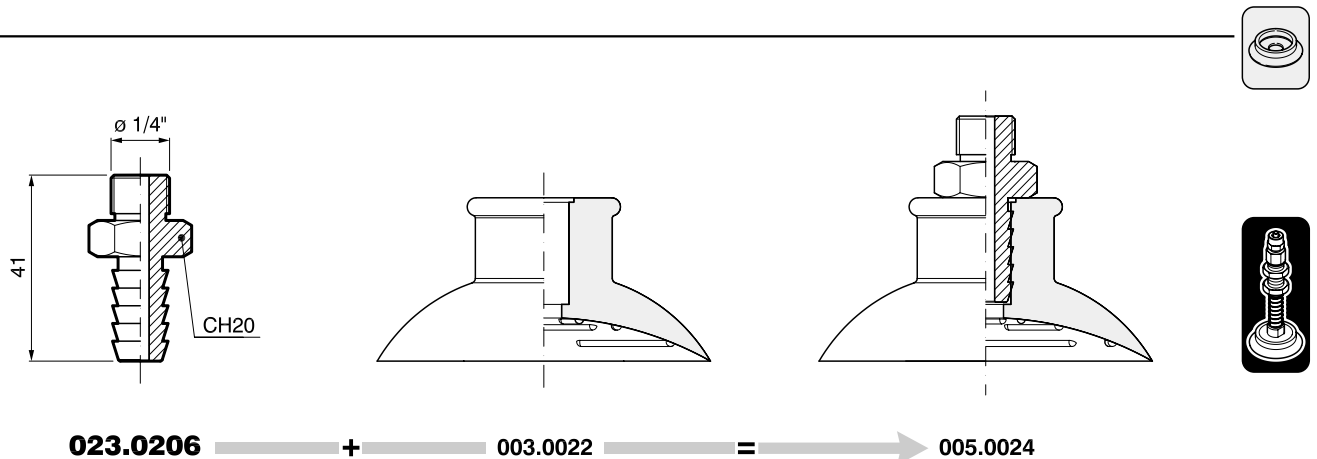
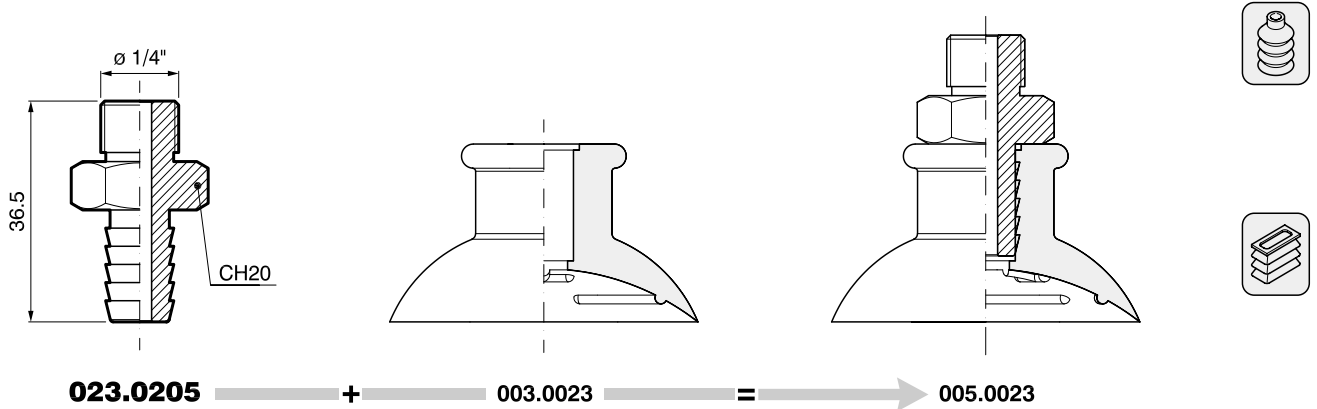
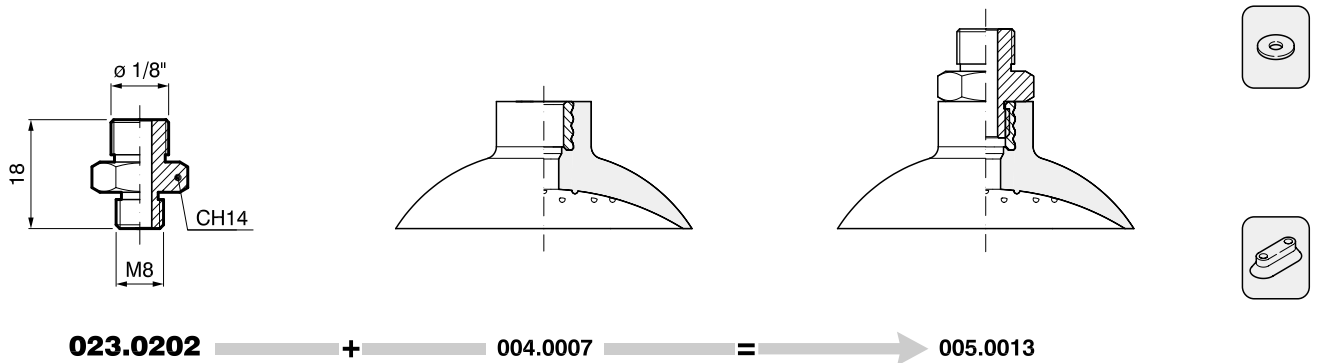
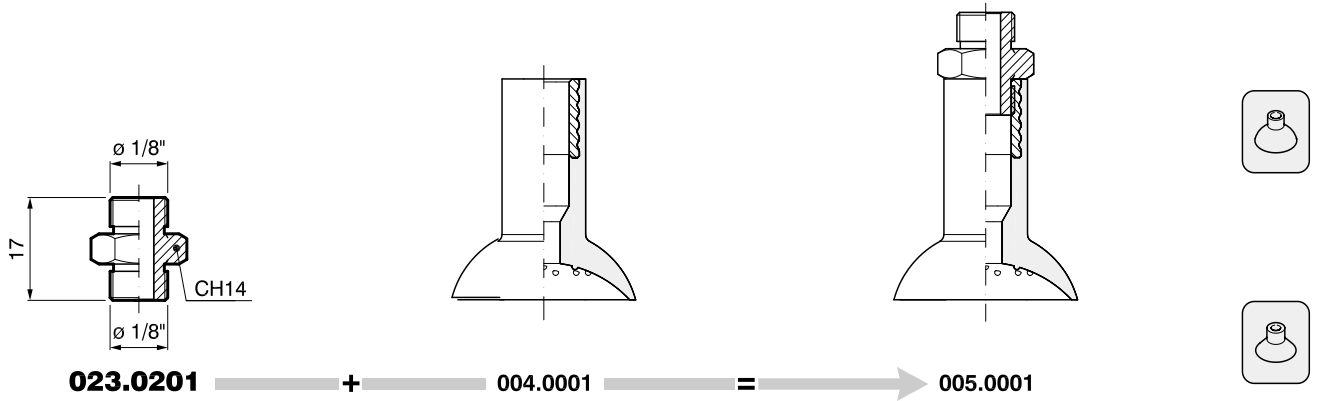
013.0001
013.0002
013.0003
013.0011
013.0004
013.0005
013.0006



=

014.0011
014.0012
014.0013
014.0014
014.0019
014.0020
014.0021



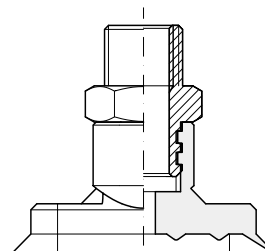
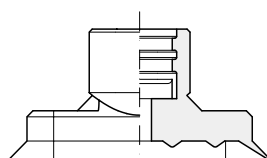
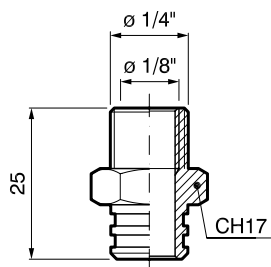


SUCKER FITTING

SUPPORT POUR VENTOUSE

SAUGERTRÄGER

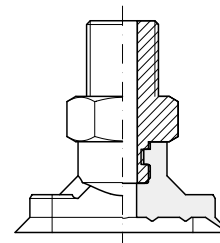
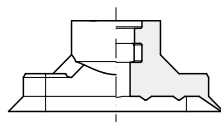
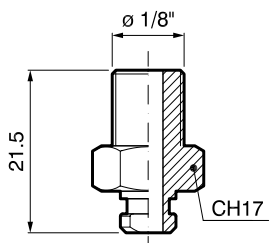
SOPORTE POR VENTOSA



006.0121
006.0122
006.0123
006.0124
006.0125

006.0231
006.0232
006.0233
006.0234
006.0235

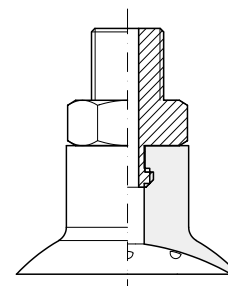
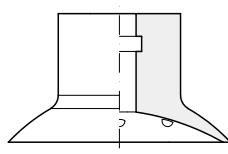
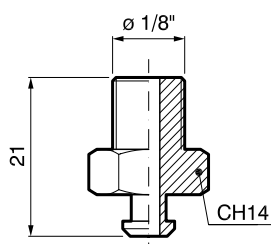
023.0207 + ————— = ————— →



006.0116
006.0117
006.0118
006.0119
006.0120

006.0226
006.0227
006.0228
006.0229
006.0230

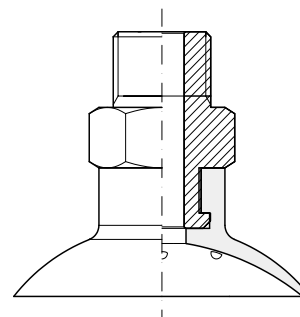
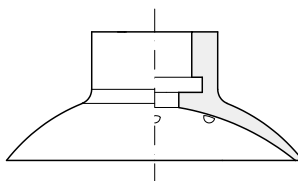
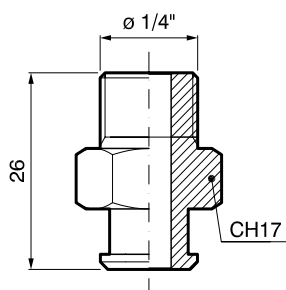
023.0209 + ————— = ————— →



023.0211 + ————— = ————— →

003.0060

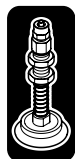
005.0030



023.0212 + ————— = ————— →

003.0061
003.0062

005.0032
005.0031

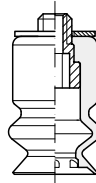
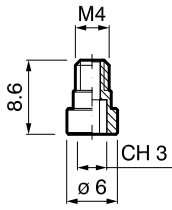


SUCKER FITTING

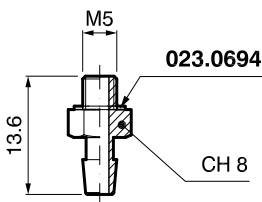
SUPPORT POUR VENTOUSE

SAUGERTRÄGER

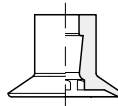
SOPORTE POR VENTOSA



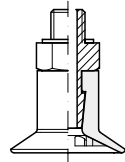
023.0217 + **023.0218** + **012.0154** = **014.0027**



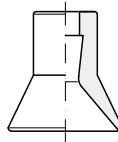
006.0053
006.0095
006.0096



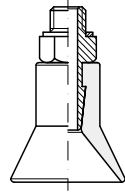
008.0006
008.0034
008.0035



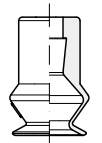
023.0300 + **006.0107**



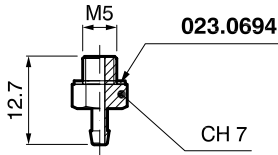
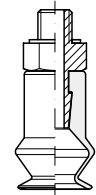
008.0042



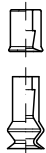
012.0009
012.00091
012.0010
012.0135
012.0140



014.0001
014.00012
014.0002



006.0092
006.0093
006.0094



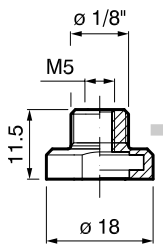
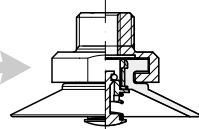
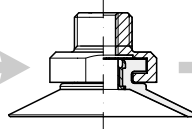
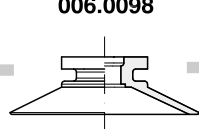
023.0302 + **012.0078** = **008.0031**
008.0032
008.0033

006.0054
006.0055
006.0056
006.0097
006.0098

008.0007
008.0008
008.0009
008.0037
008.0039

023.0580

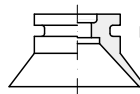
008.0021
008.0040



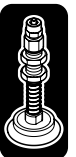
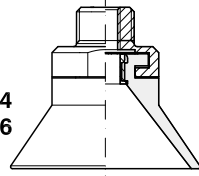
023.0550

023.0800

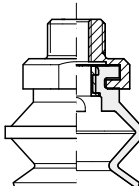
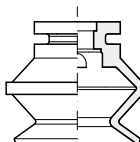
006.0108
006.0109

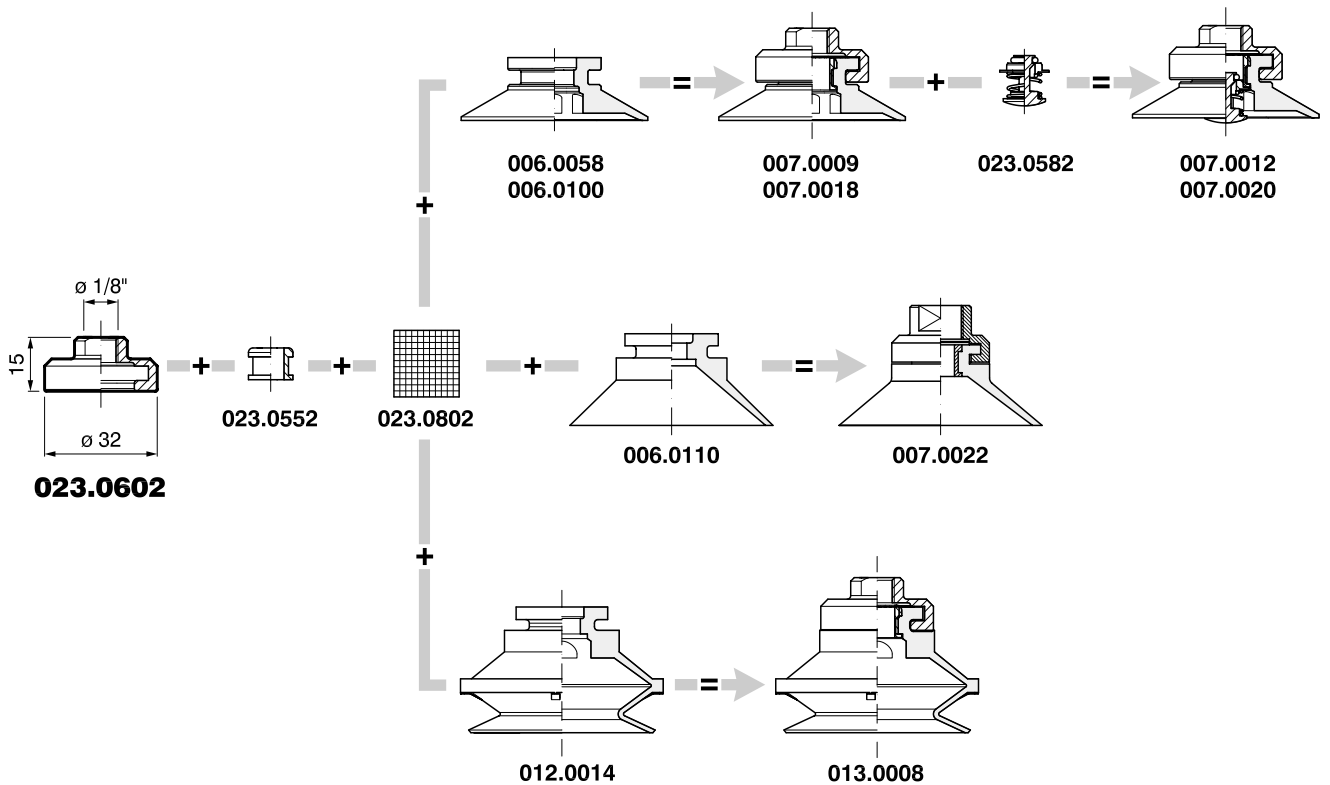
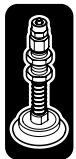
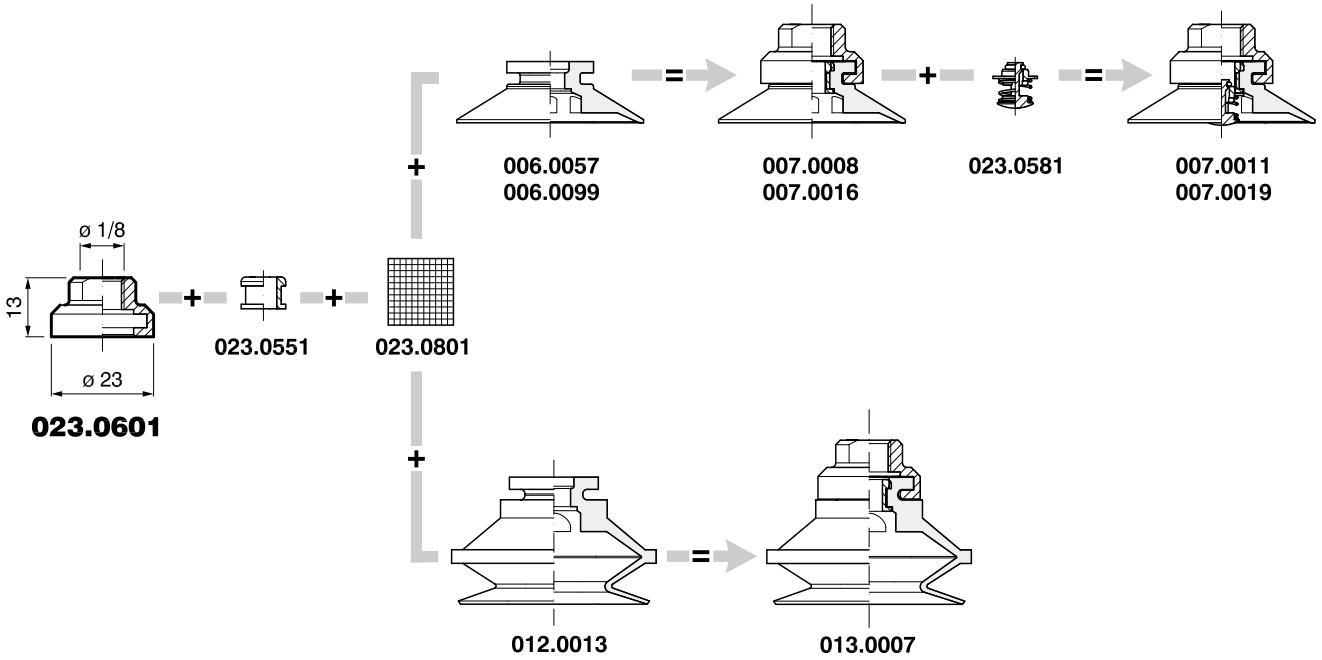


008.0044
008.0046



023.0600 + **012.0011** + **012.0012** + **012.0063** = **014.0003**
014.0004
013.0014



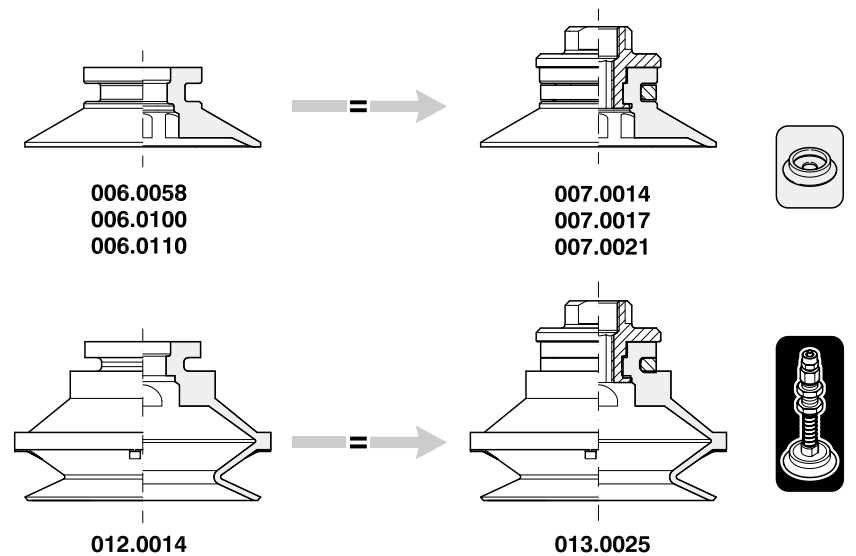
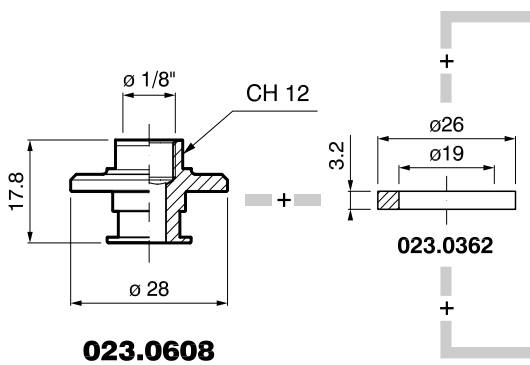
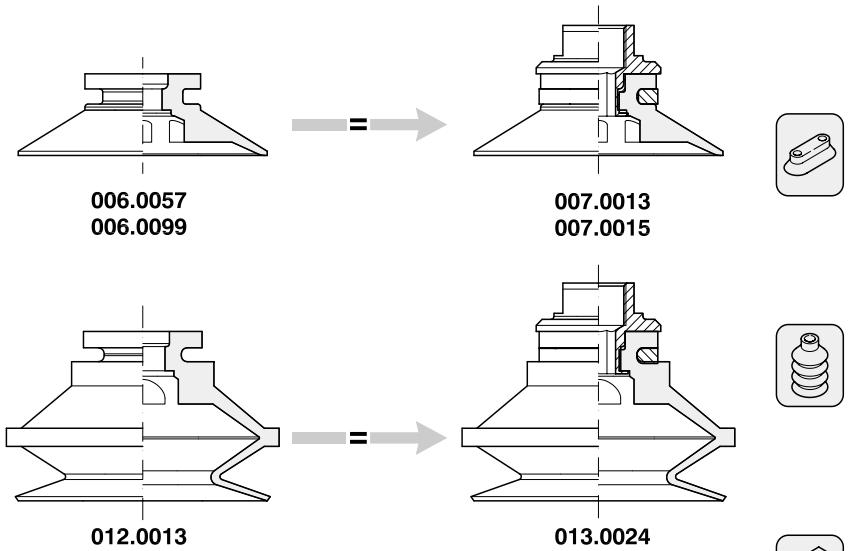
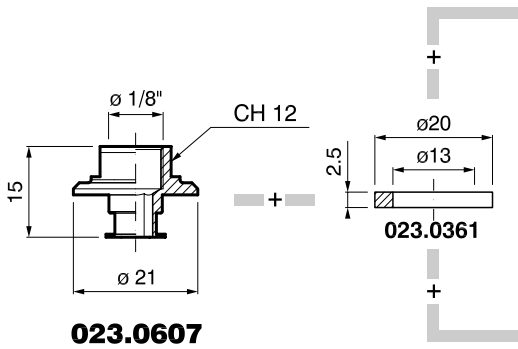
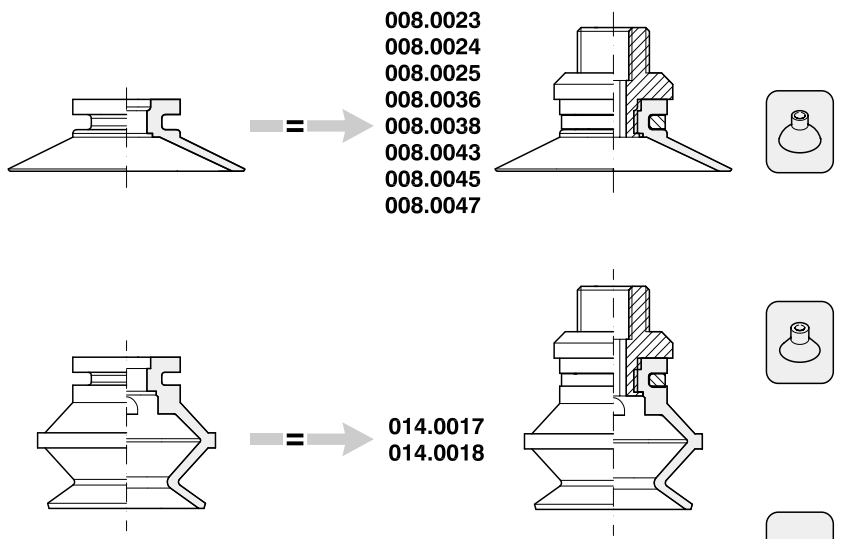
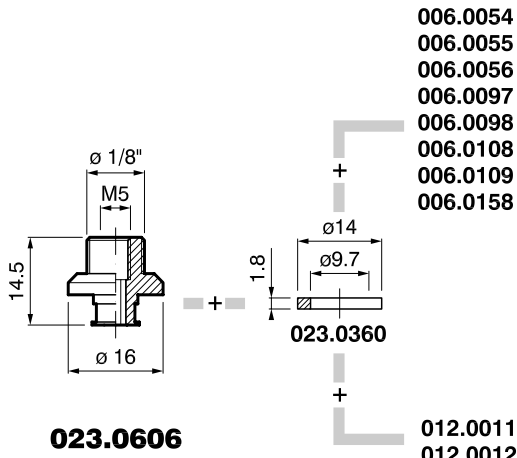


SUCKER FITTING

SUPPORT POUR VENTOUSE

SAUGERTRÄGER

SOPORTE POR VENTOSA

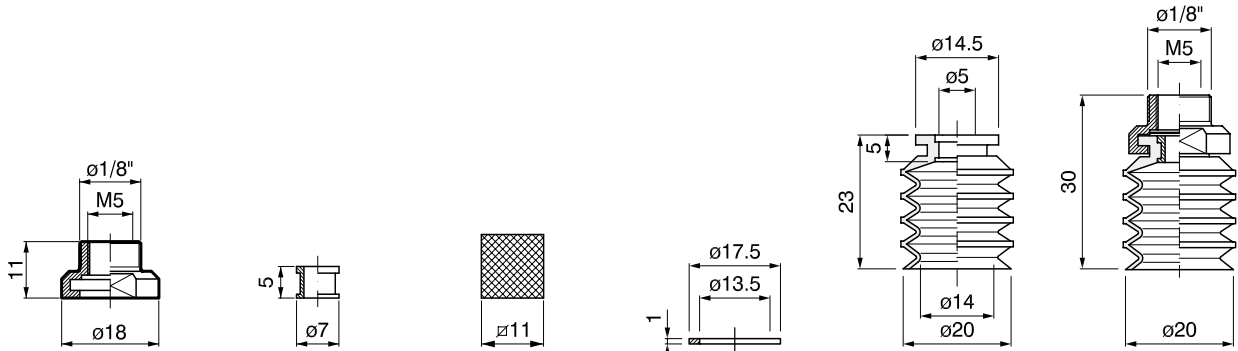


SUCKER FITTING

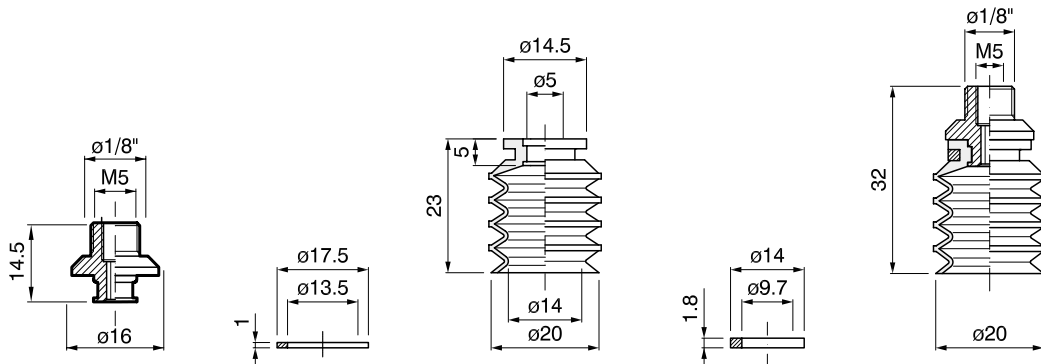
SUPPORT POUR VENTOUSE

SAUGERTRÄGER

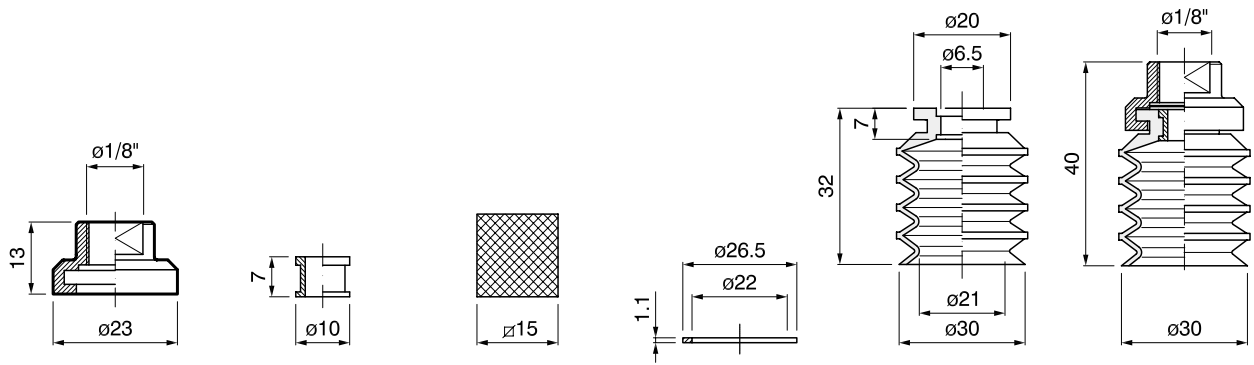
SOPORTE POR VENTOSA



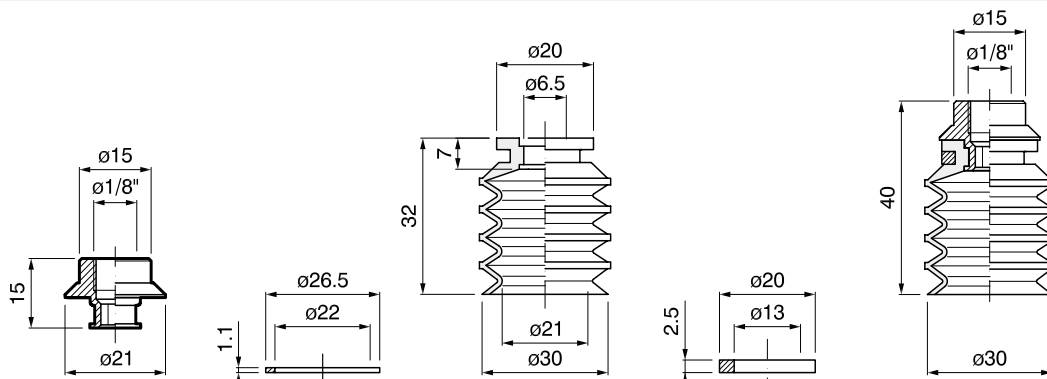
023.0600 + **023.0550** + **023.0800** + **023.0370** + **012.0063** = **013.0014**



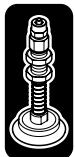
023.0606 + **023.0370** + **012.0063** + **023.0360** = **013.0020**



023.0601 + **023.0551** + **023.0801** + **023.0371** + **012.0064** = **013.0015**



023.0607 + **023.0371** + **012.0064** + **023.0361** = **013.0021**

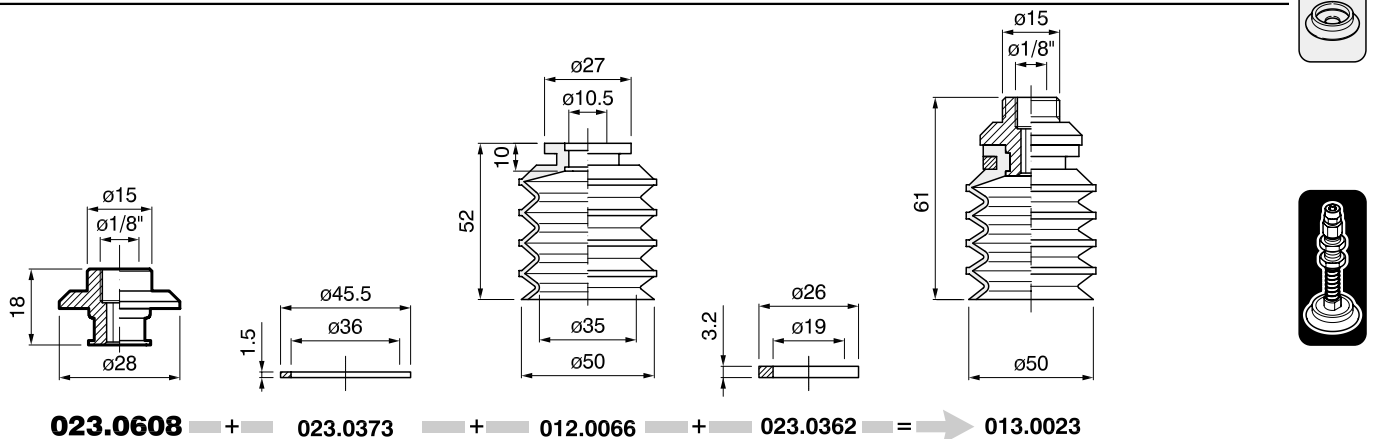
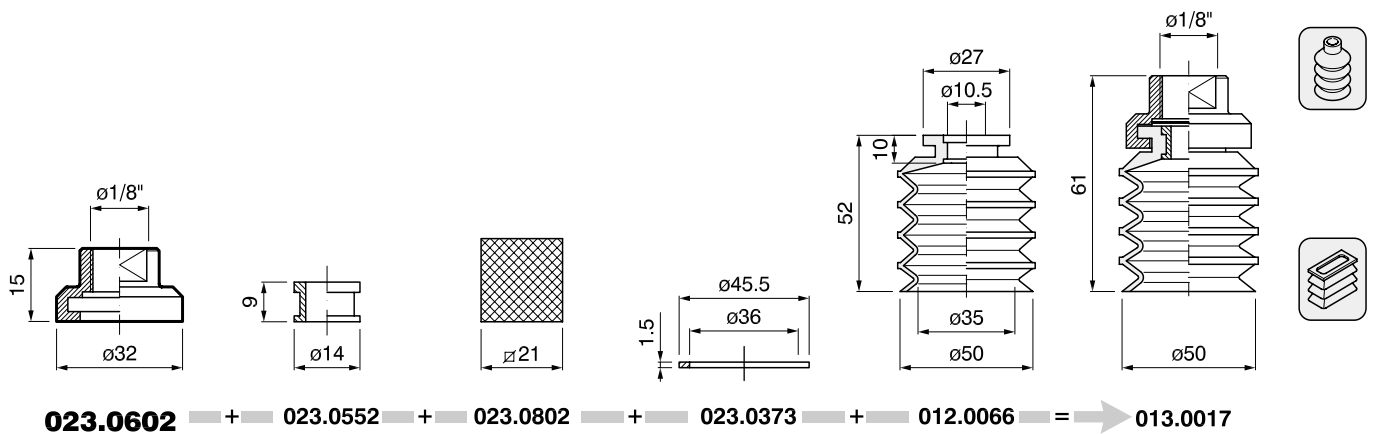
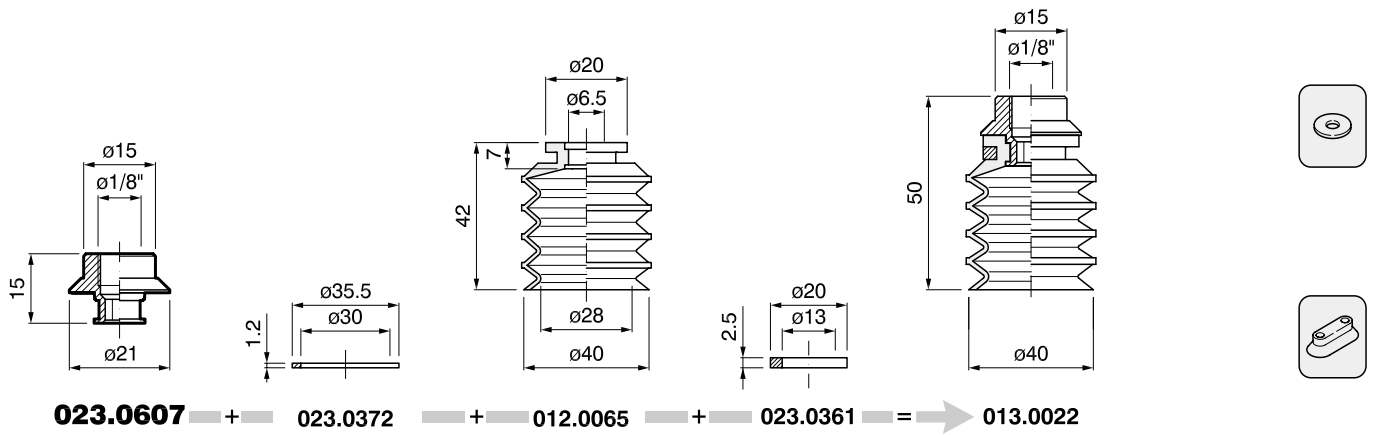
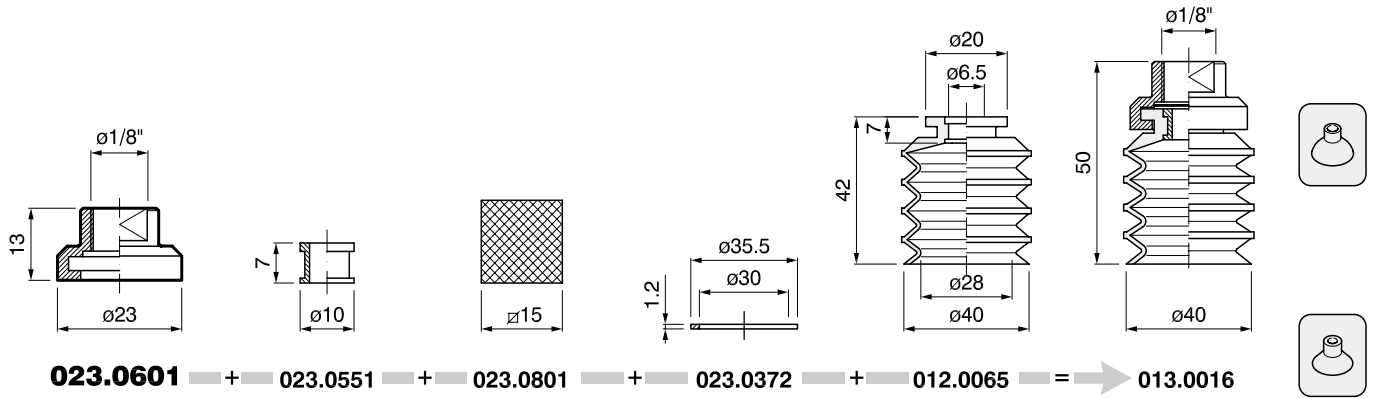


SUCKER FITTING

SUPPORT POUR VENTOUSE

SAUGERTRÄGER

SOPORTE POR VENTOSA

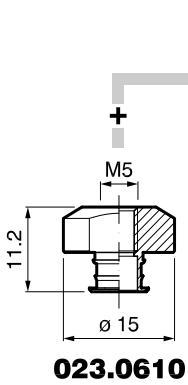


SUCKER FITTING

SUPPORT POUR VENTOUSE

SAUGERTRÄGER

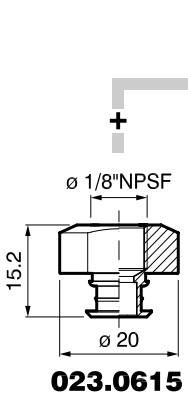
SOPORTE POR VENTOSA



- 023.0580
- 023.0563
- 023.0808
- 023.0574
- 023.0575

- 023.0649
- 023.0611
- 023.0612

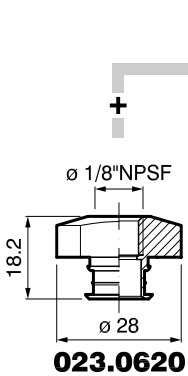
- 006.0054 - 006.0055
006.0056 - 006.0097
006.0098 - 006.0108
006.0109 - 006.0158
- 012.0011 - 012.0012



- 023.0581
- 023.0564
- 023.0809
- 023.0572
- 023.0573

- 023.0648
- 023.0616
- 023.0617

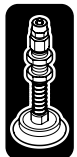
- 006.0057 - 006.0099
- 012.0013



- 023.0582
- 023.0565
- 023.0810
- 023.0570
- 023.0571

- 023.0645
- 023.0621
- 023.0622

- 006.0058 - 006.0100
006.0110
- 012.0014

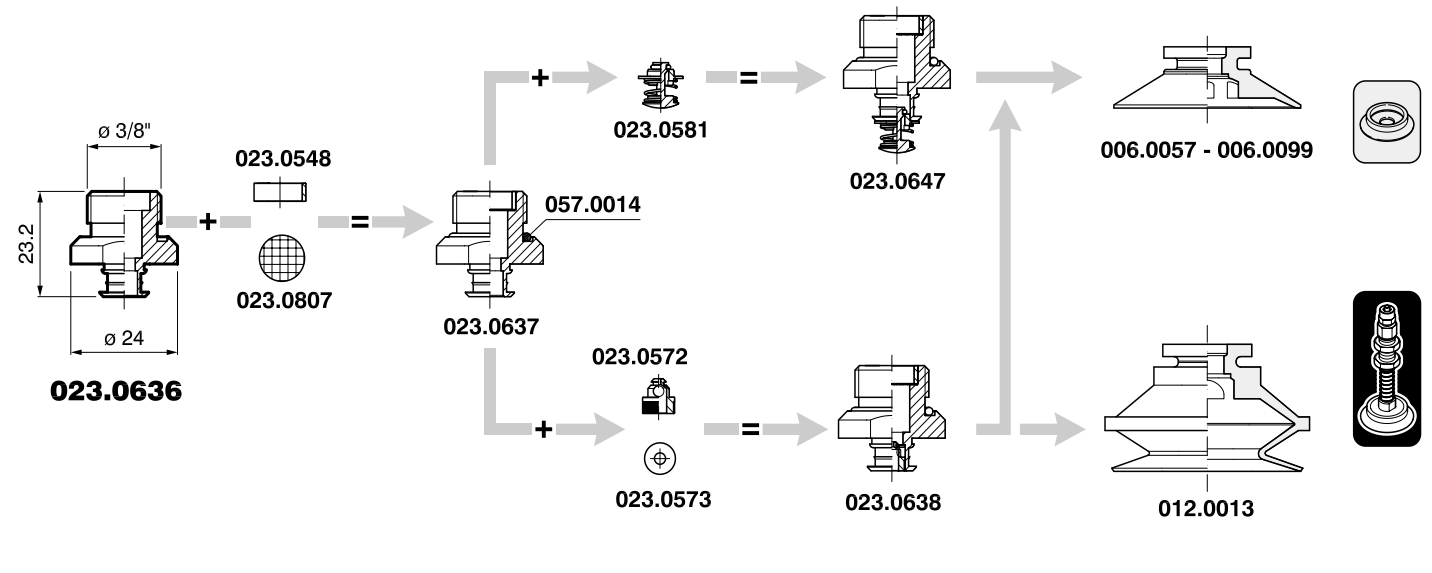
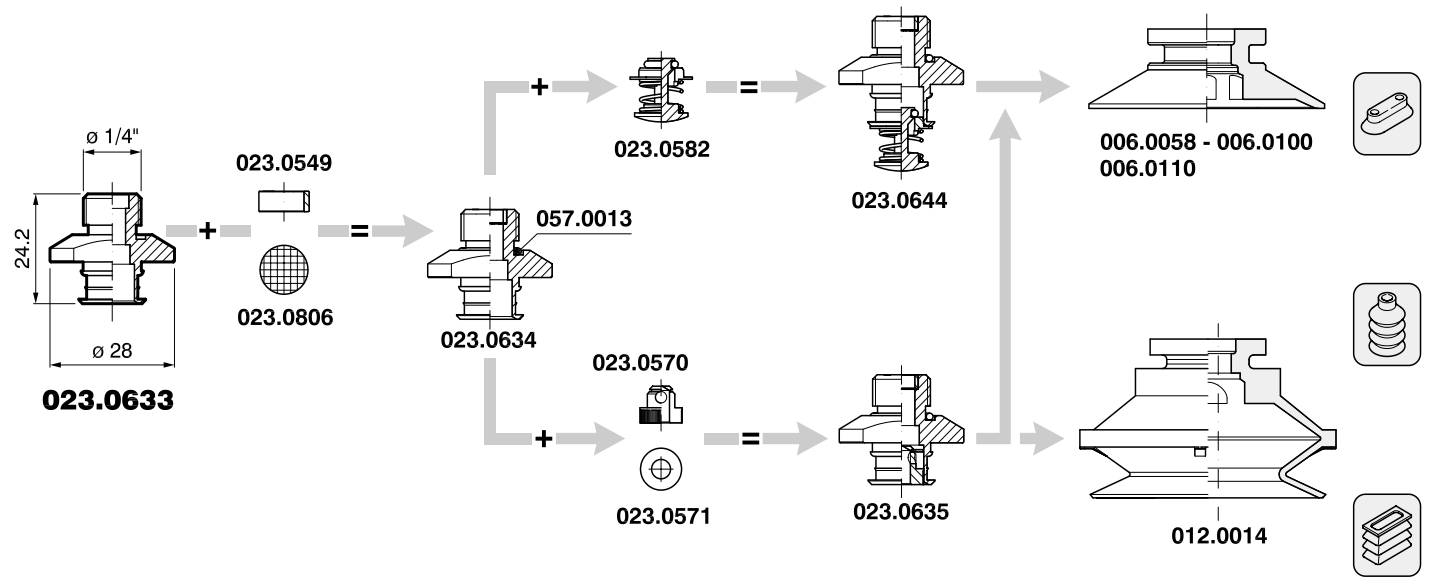
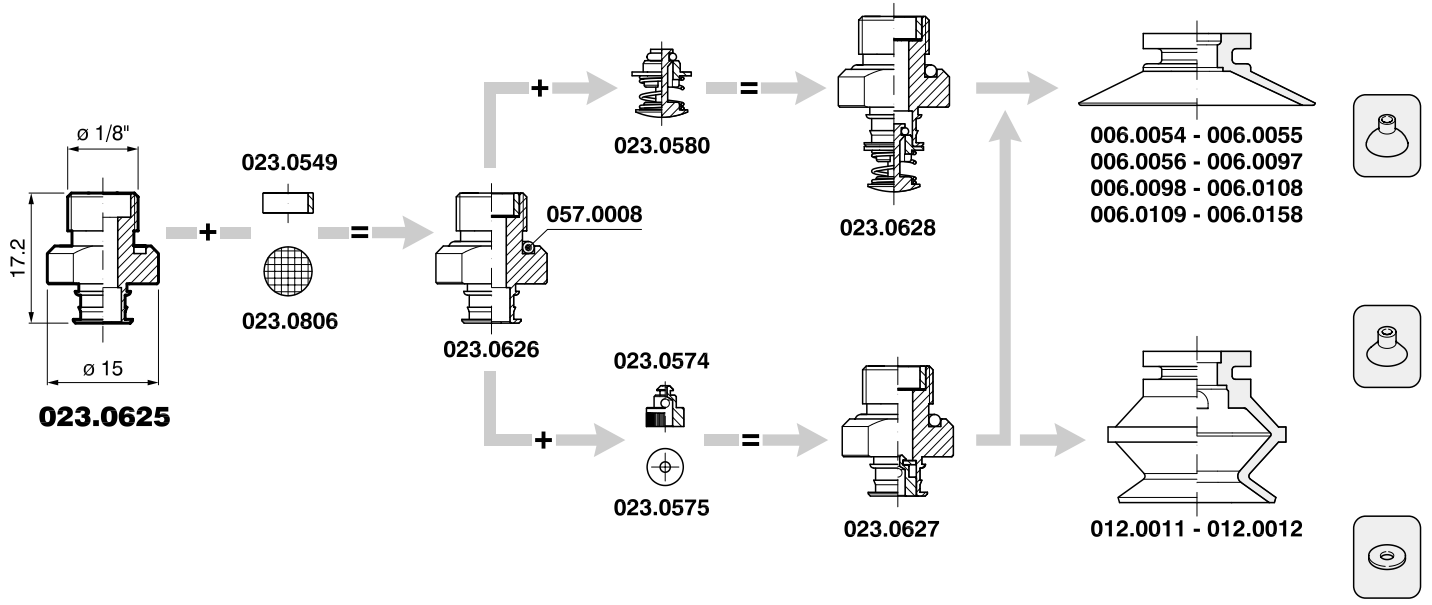


SUCKER FITTING

SUPPORT POUR VENTOUSE

SAUGERTRÄGER

SOPORTE POR VENTOSA

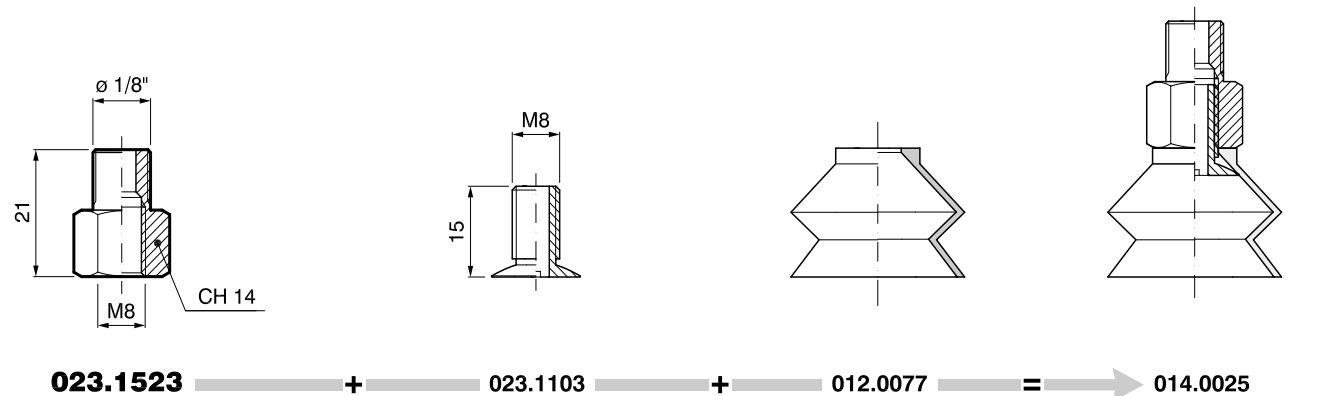
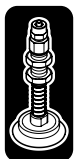
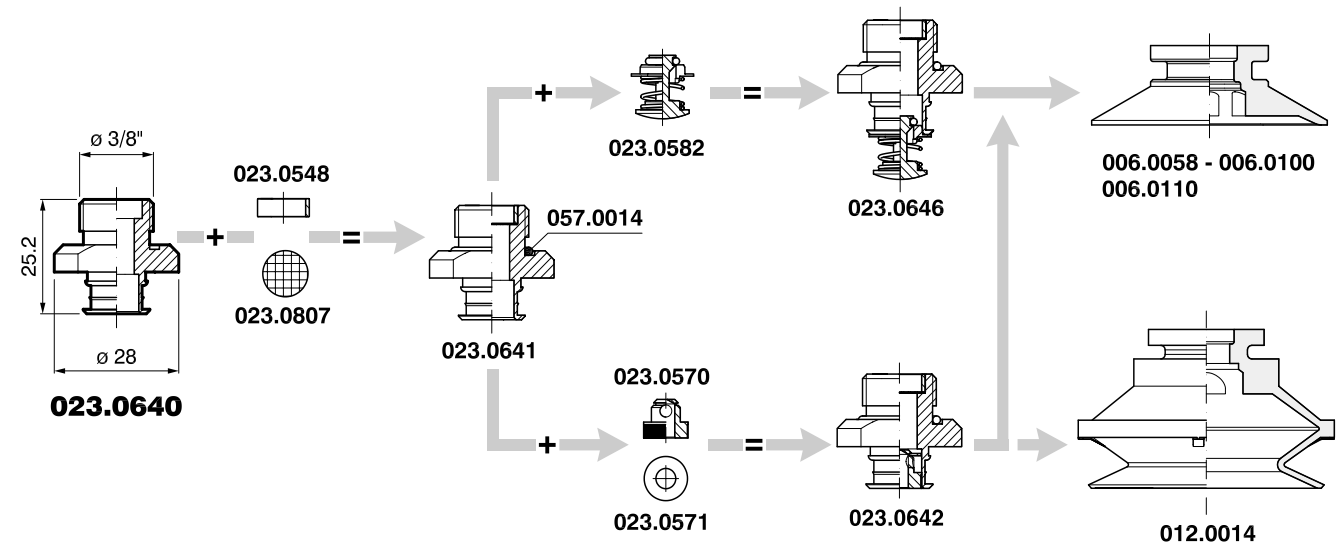
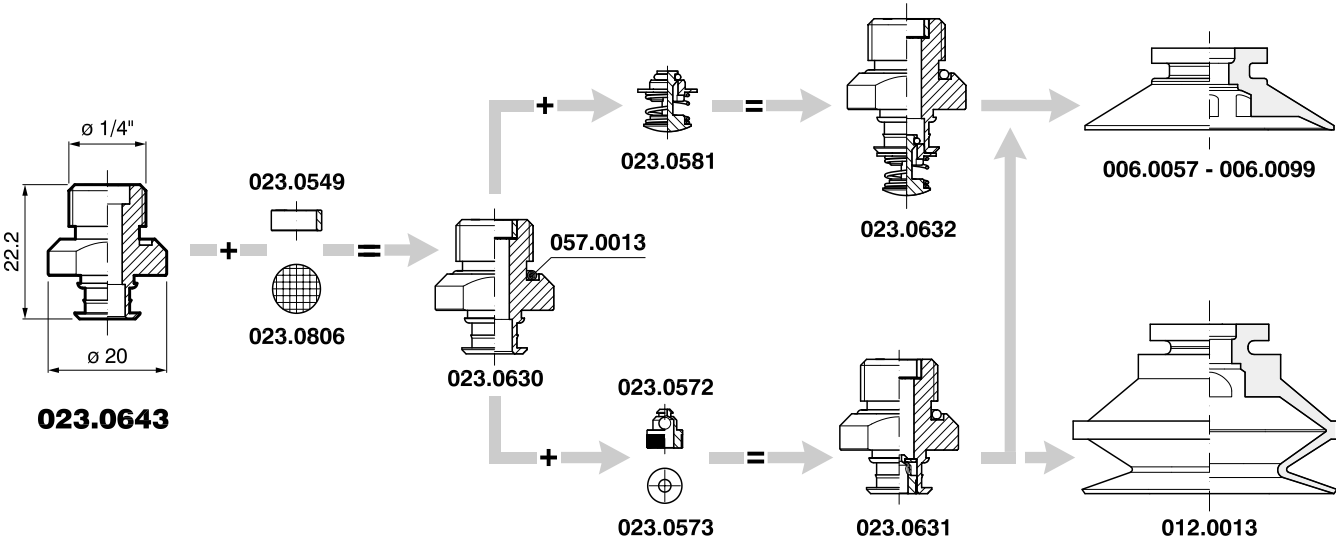


SUCKER FITTING

SUPPORT POUR VENTOUSE

SAUGERTRÄGER

SOPORTE POR VENTOSA

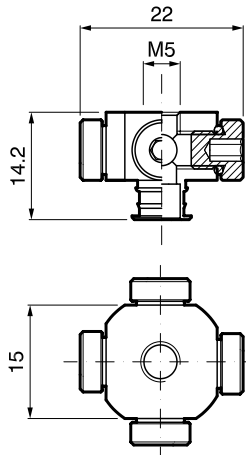


SUCKER FITTING

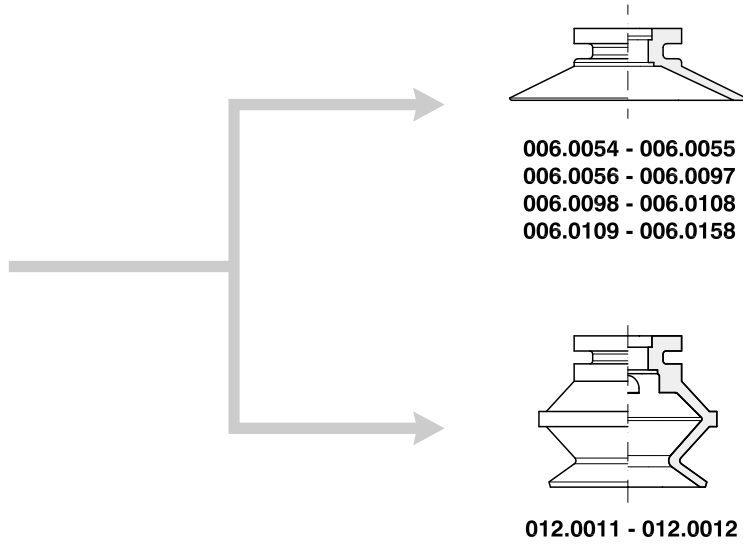
SUPPORT POUR VENTOUSE

SAUGERTRÄGER

SOPORTE POR VENTOSA

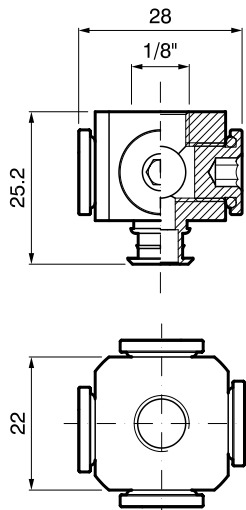


023.0681

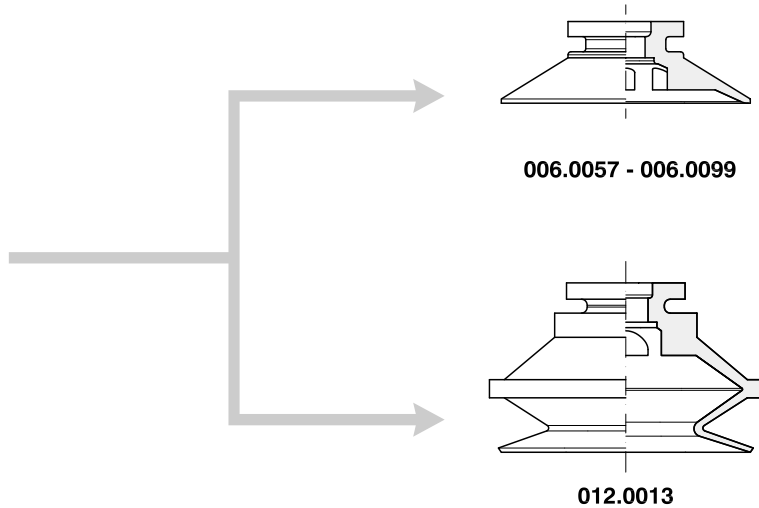


006.0054 - 006.0055
006.0056 - 006.0097
006.0098 - 006.0108
006.0109 - 006.0158

012.0011 - 012.0012

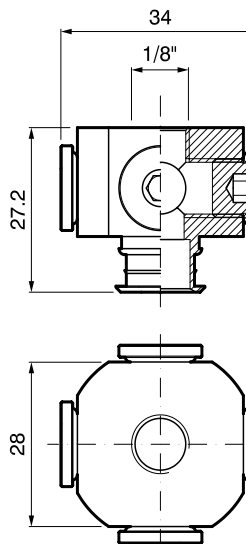


023.0683

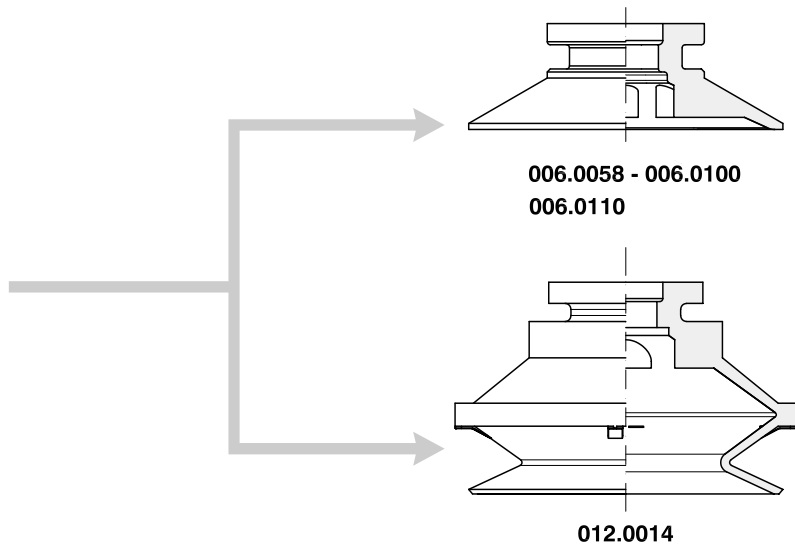


006.0057 - 006.0099

012.0013



023.0685

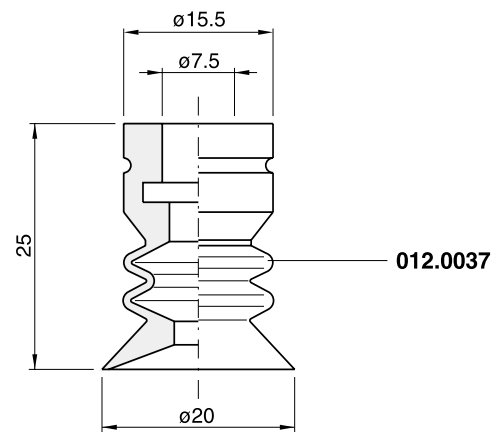
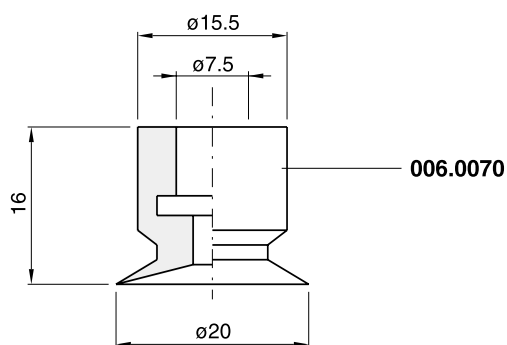
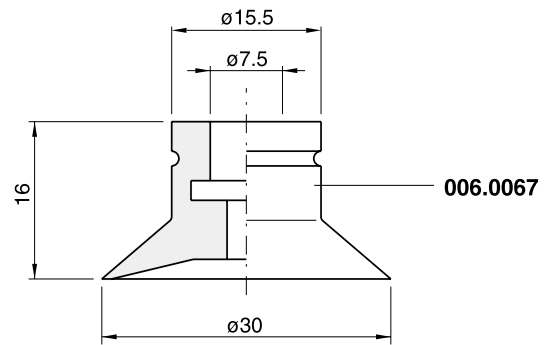
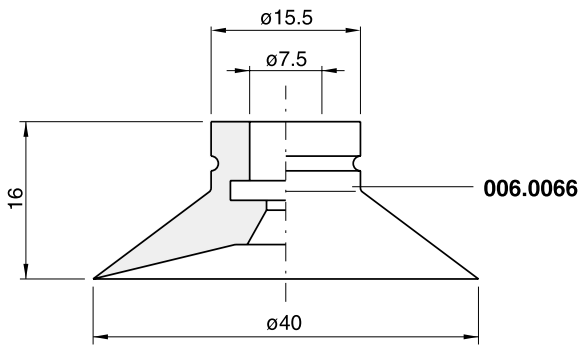
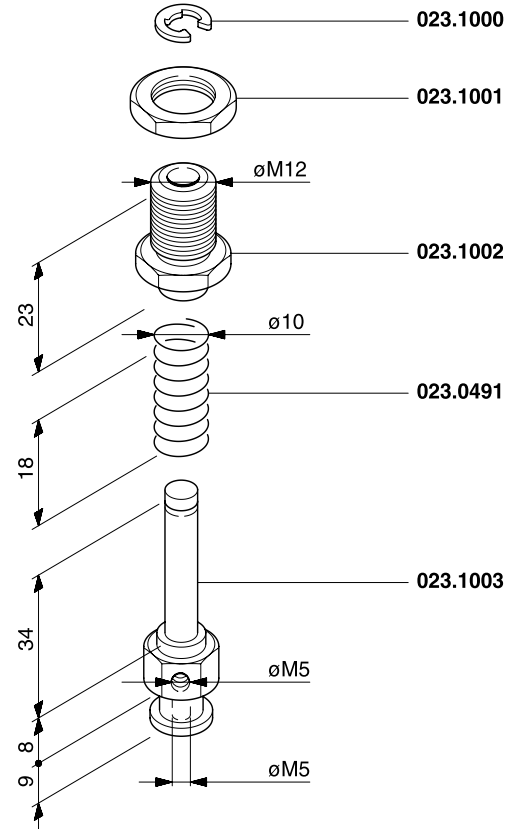
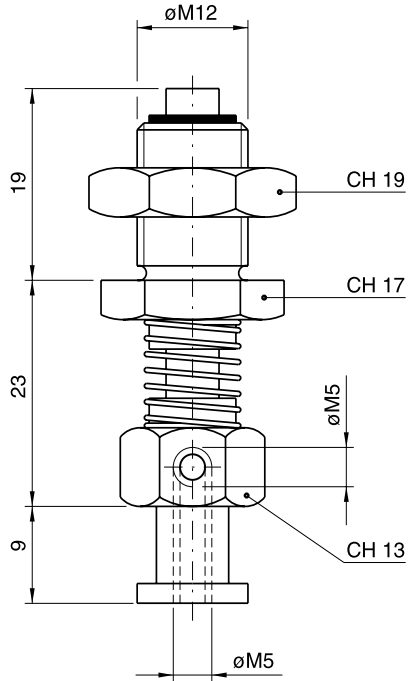


006.0058 - 006.0100
006.0110

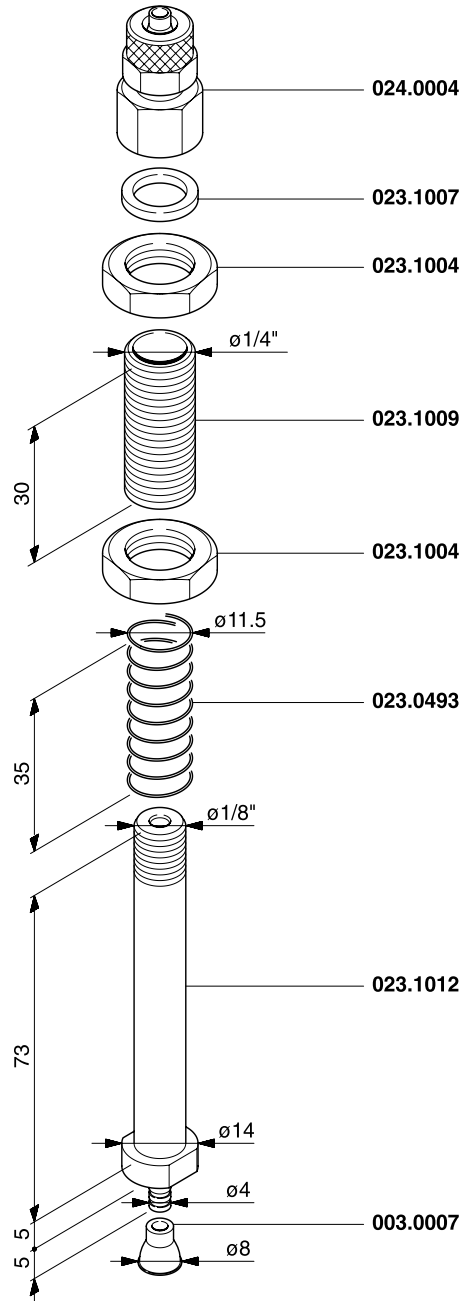
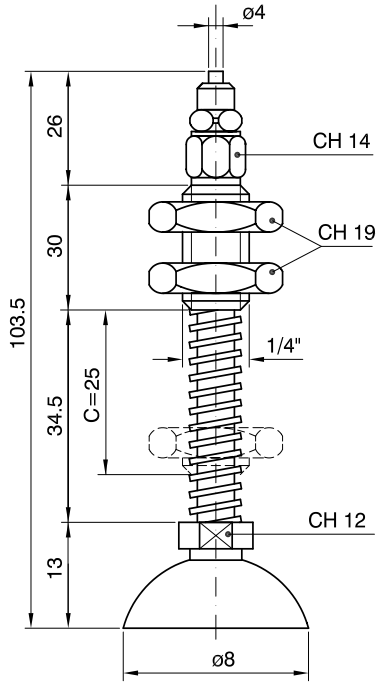
012.0014

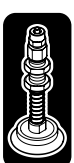


Cod. 016.0009

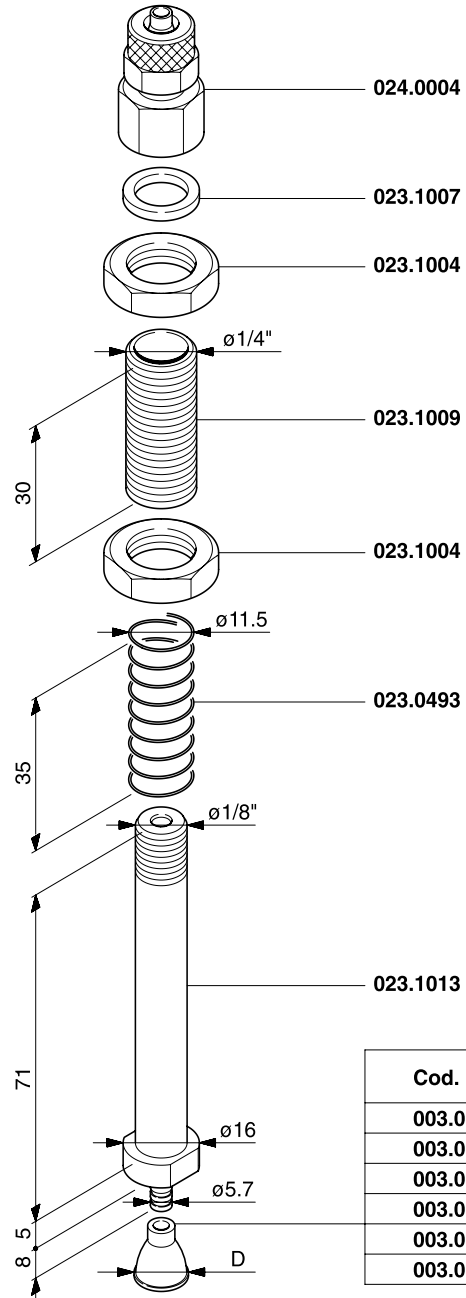
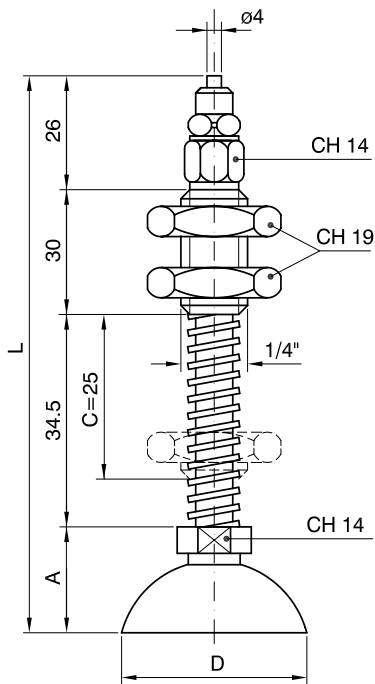


Cod. 016.0001



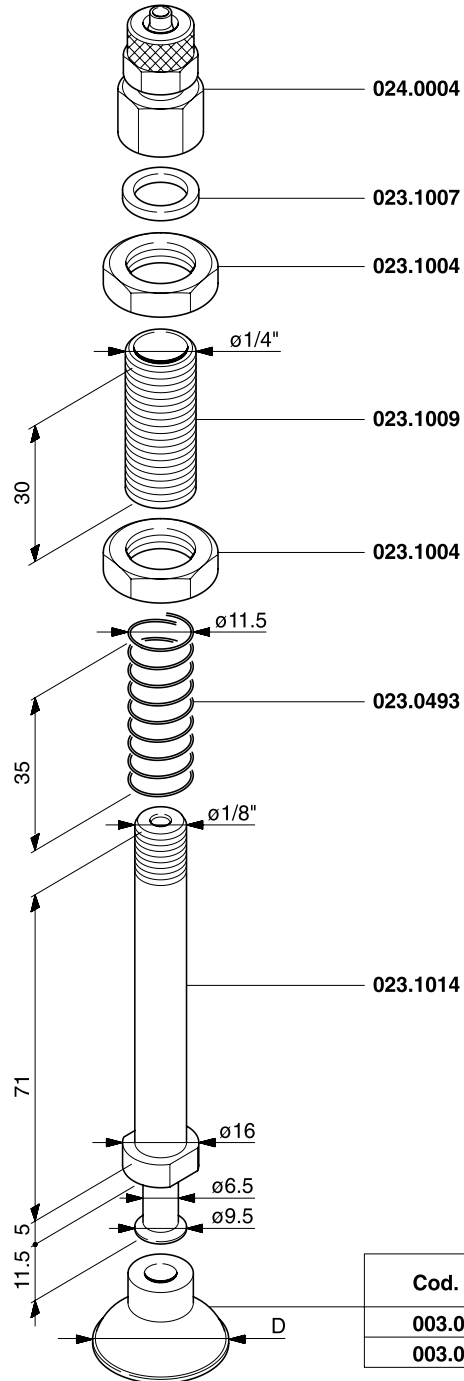
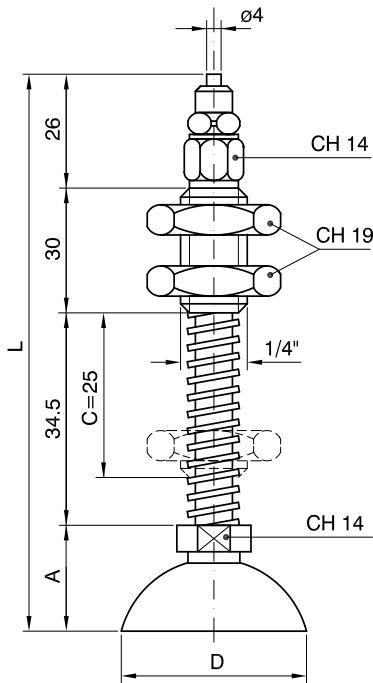


Cod.	D	A	L
016.0002	10	16	106.5
	12	16	106.5
	15	17	107.5
	18	17	107.5
	20	18	108.5
	22	18	108.5

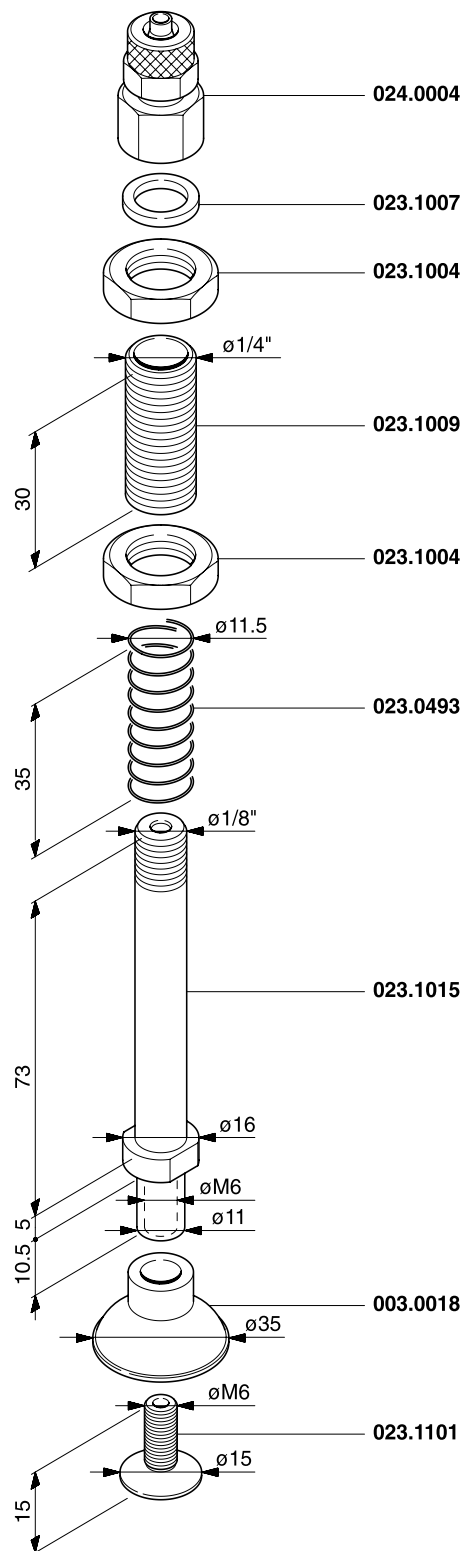
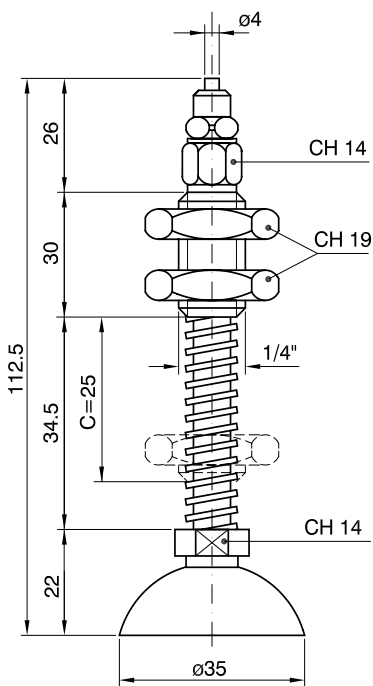
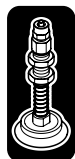


Cod.	D
003.0008	10
003.0009	12
003.0010	15
003.0011	18
003.0012	20
003.0031	22

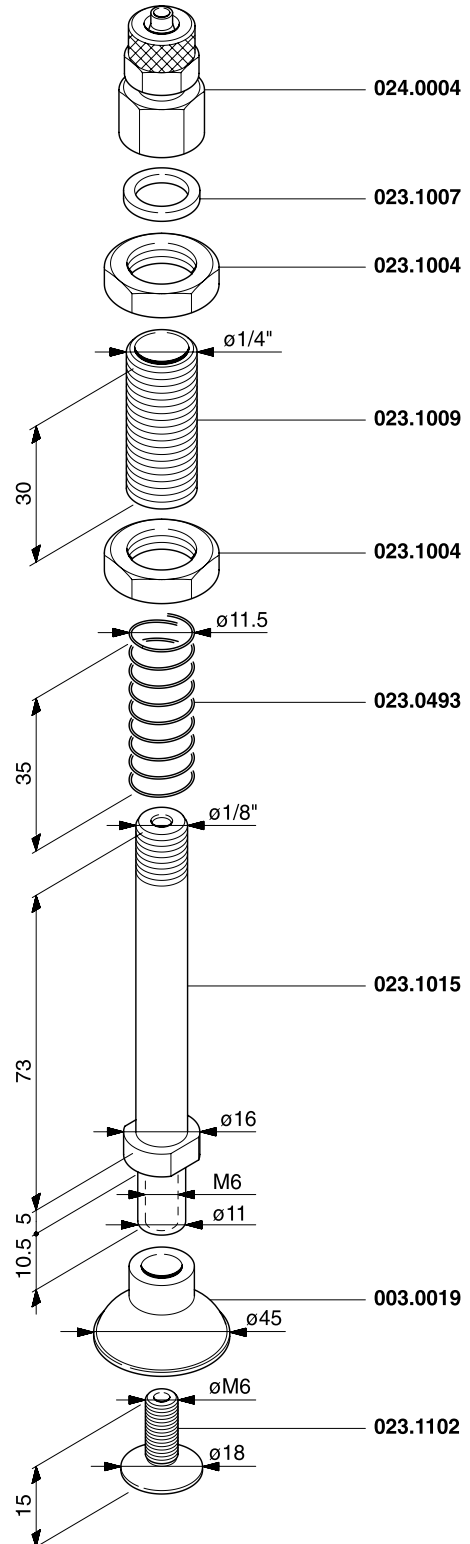
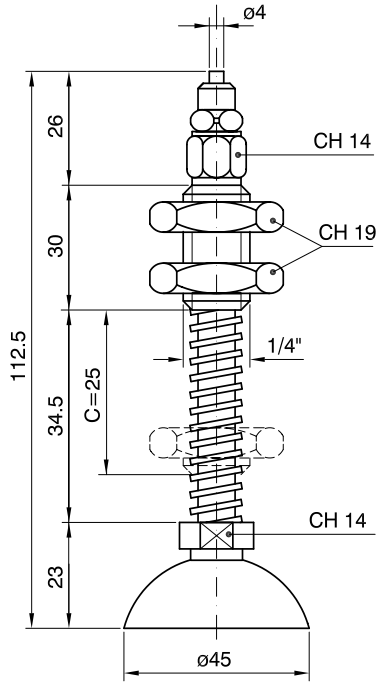
Cod.	D	A	L
016.0003	25	20	110.5
	30	21	111.5



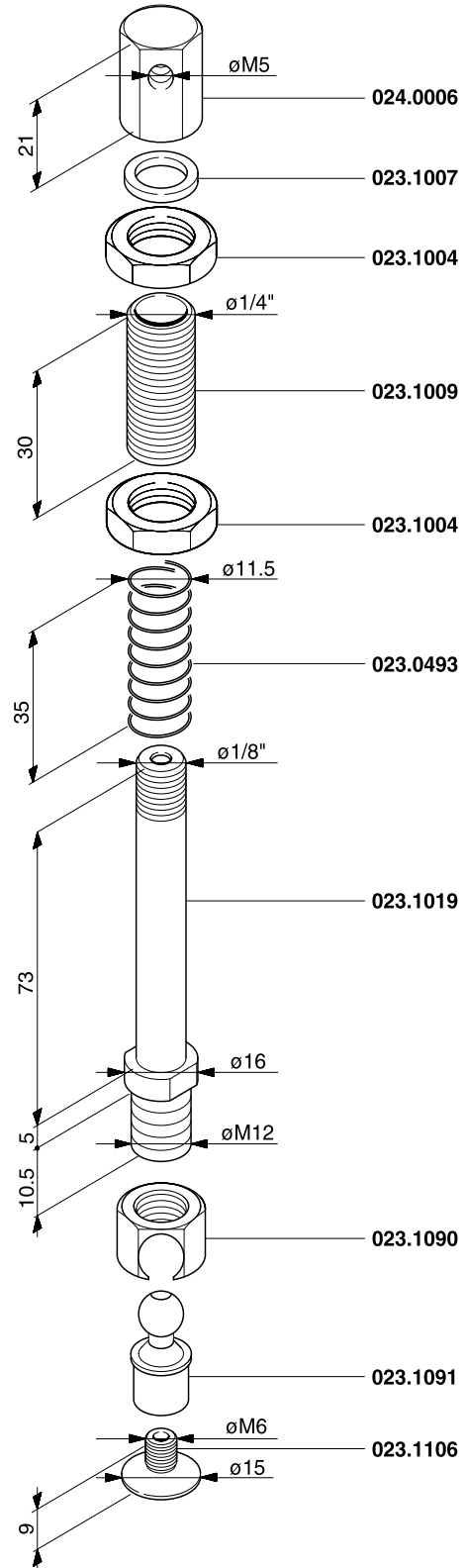
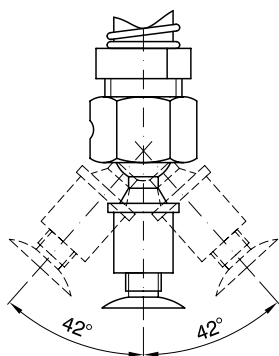
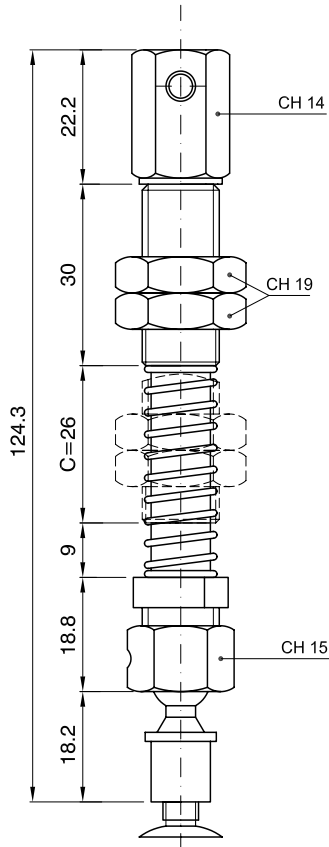
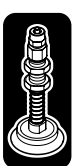
Cod. 016.0004



Cod. 016.0005



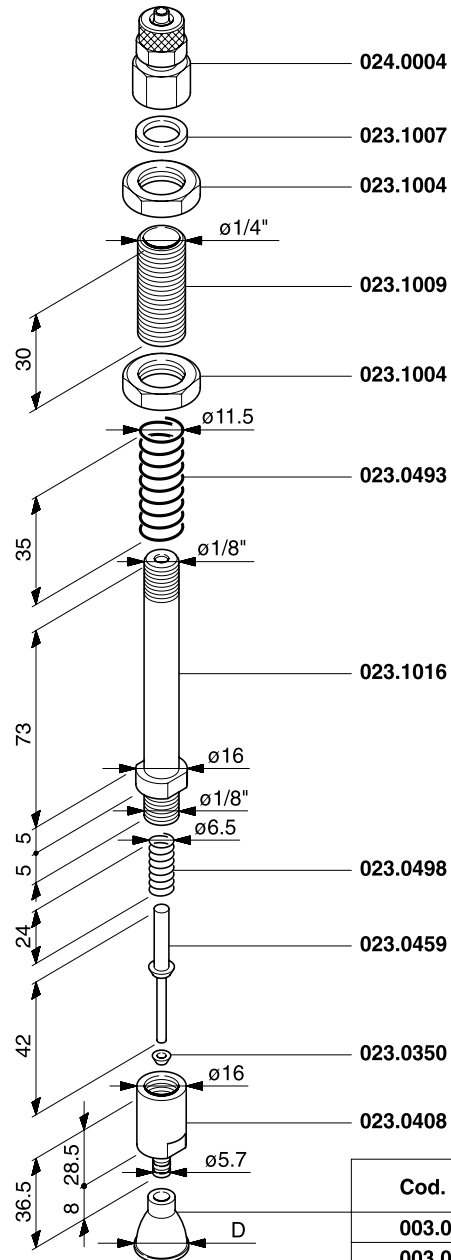
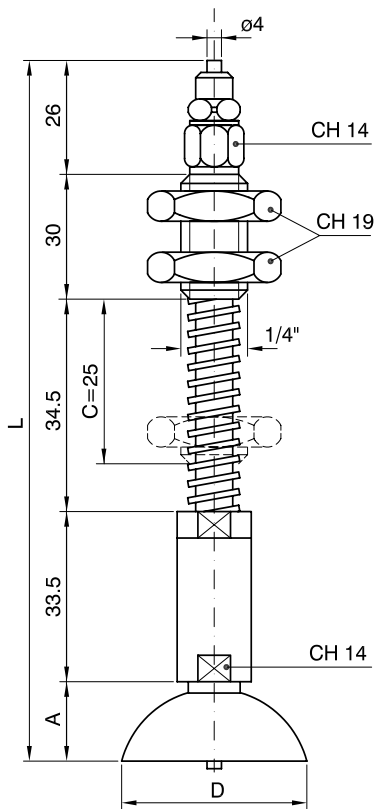
Cod. 016.0101



"MINI" SUCKER-HOLDER WITH FEELER
SAUGERTRAGER "MINI" MIT TASTVENTIL

PORTE-VENTOUSE "MINI" AVEC PALPEUR
PORTAVENTOSAS "MINI" CON PALPADOR

Cod.	D	A	L
017.0001	12	11	135
	15	12	136
	18	12	136
	20	13	137
	22	13	137



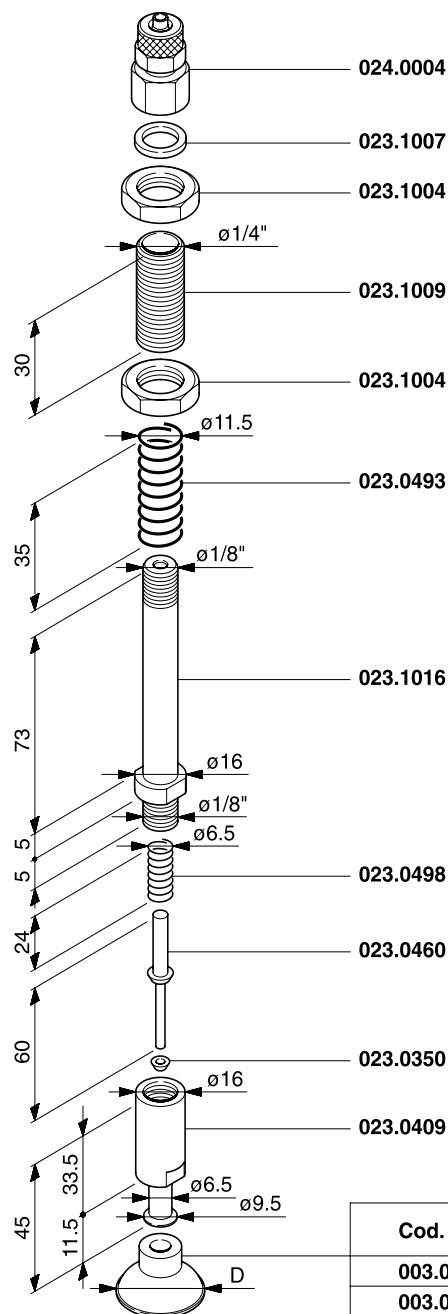
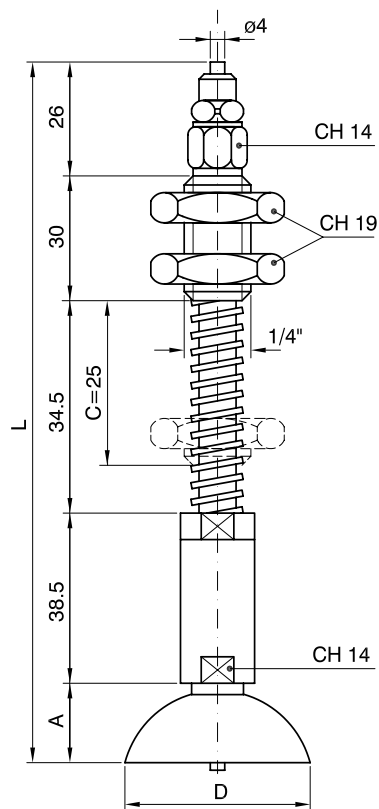
Cod.	D
003.0009	12
003.0010	15
003.0011	18
003.0012	20
003.0031	22



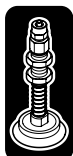
"MINI" SUCKER-HOLDER WITH FEELER
SAUGERTRAGER "MINI" MIT TASTVENTIL

PORTE-VENTOUSE "MINI" AVEC PALPEUR
PORTAVENTOSAS "MINI" CON PALPADOR

Cod.	D	A	L
017.0002	25	15	139
	30	16	140



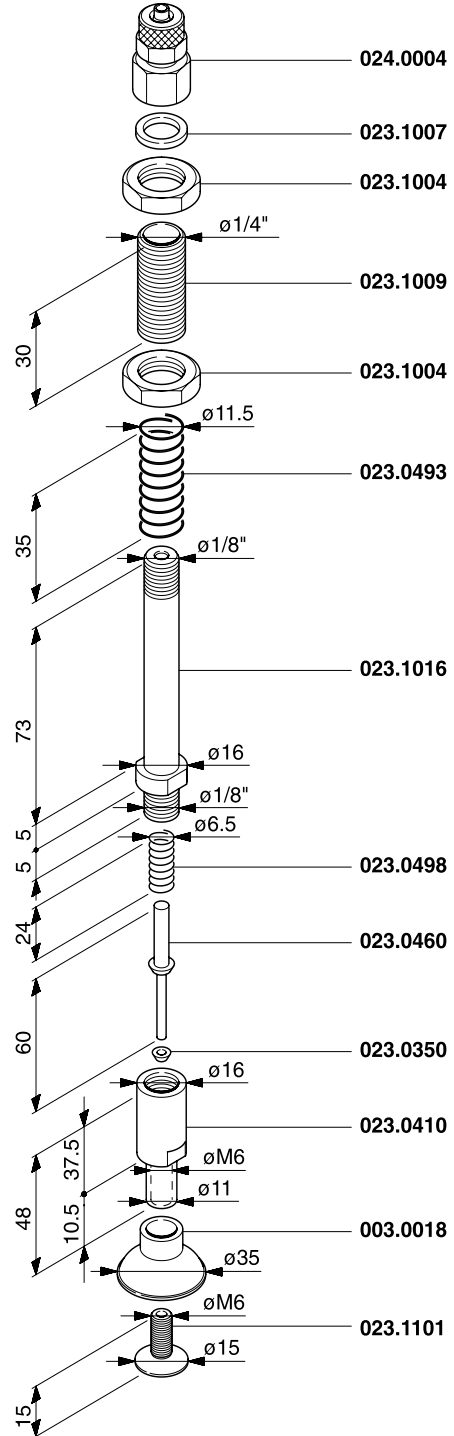
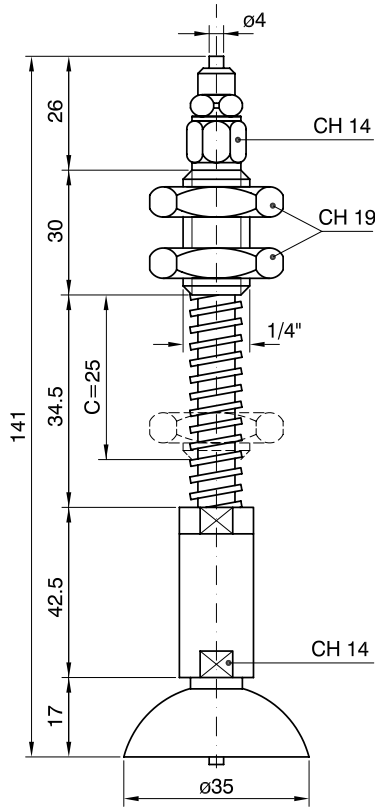
Cod.	D
003.0014	25
003.0016	30



"MINI" SUCKER-HOLDER WITH FEELER
SAUGERTRAGER "MINI" MIT TASTVENTIL

PORTE-VENTOUSE "MINI" AVEC PALPEUR
PORTAVENTOSAS "MINI" CON PALPADOR

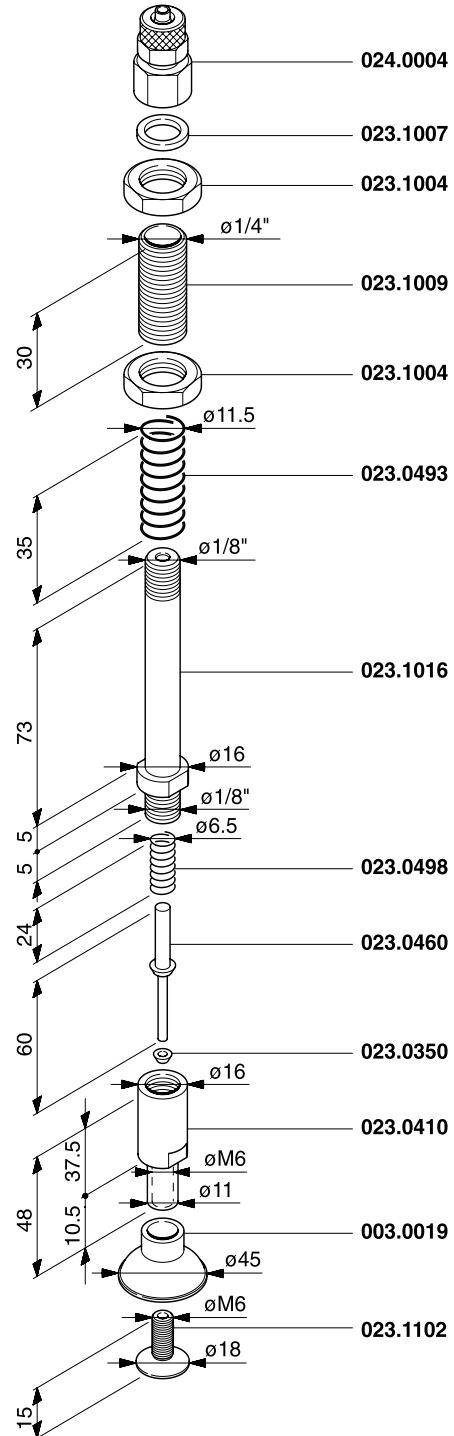
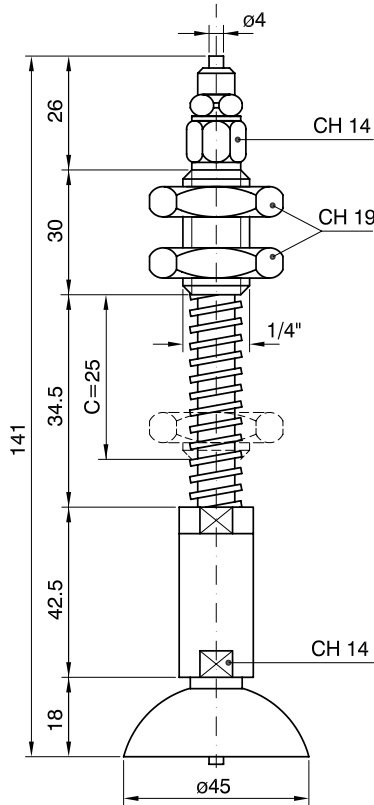
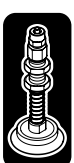
Cod. 017.0003



"MINI" SUCKER-HOLDER WITH FEELER
SAUGERTRAGER "MINI" MIT TASTVENTIL

PORTE-VENTOUSE "MINI" AVEC PALPEUR
PORTAVENTOSAS "MINI" CON PALPADOR

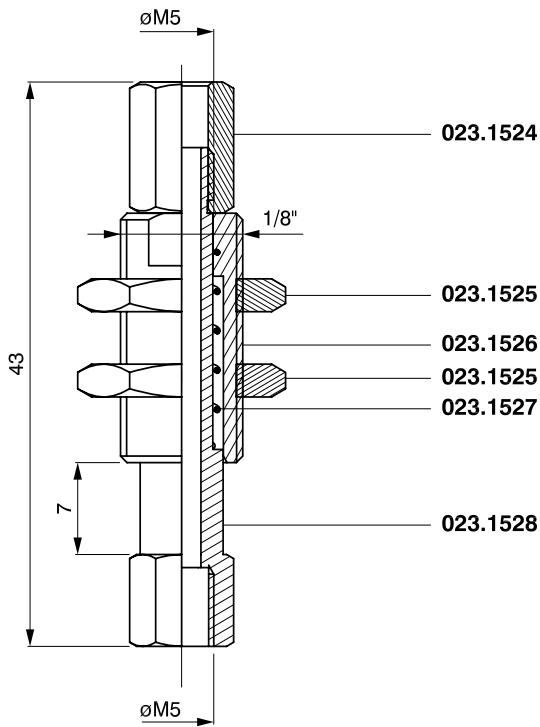
Cod. 017.0004



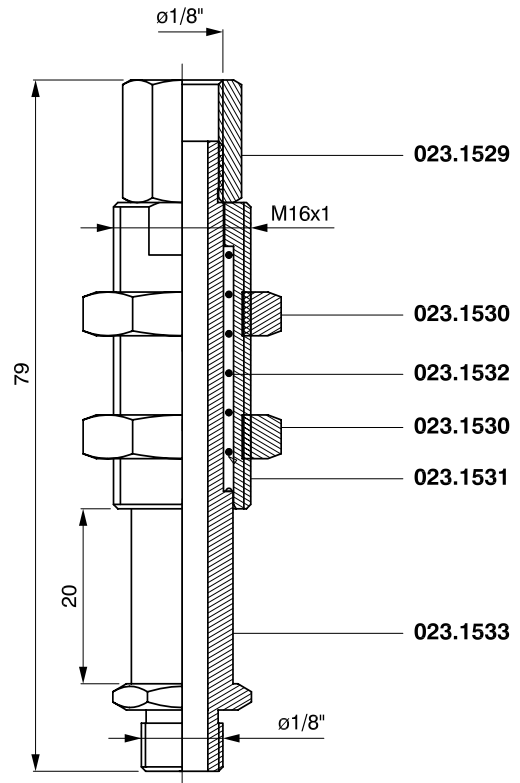
“STANDARD” SUCKER-HOLDER
SAUGERTRAGER “STANDARD”

PORTE-VENTOUSE “STANDARD”
PORTAVENTOSAS “STANDART”

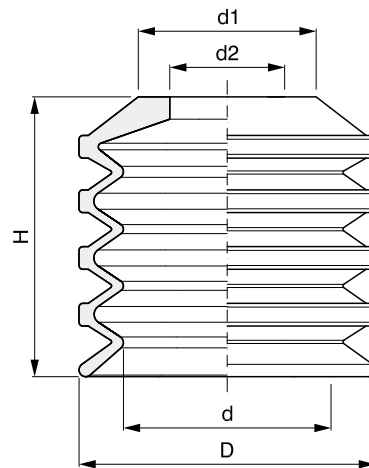
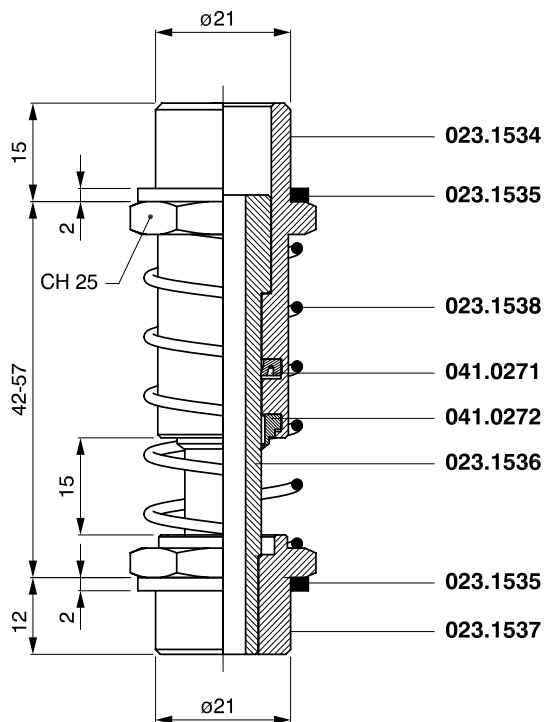
Cod. 022.0001



Cod. 022.0002



Cod. 022.0003

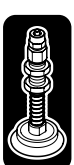


Cod.	D	d	d1	d2	H
023.0390	20	14	14.5	10	19
023.0391	40	28	24	15	37

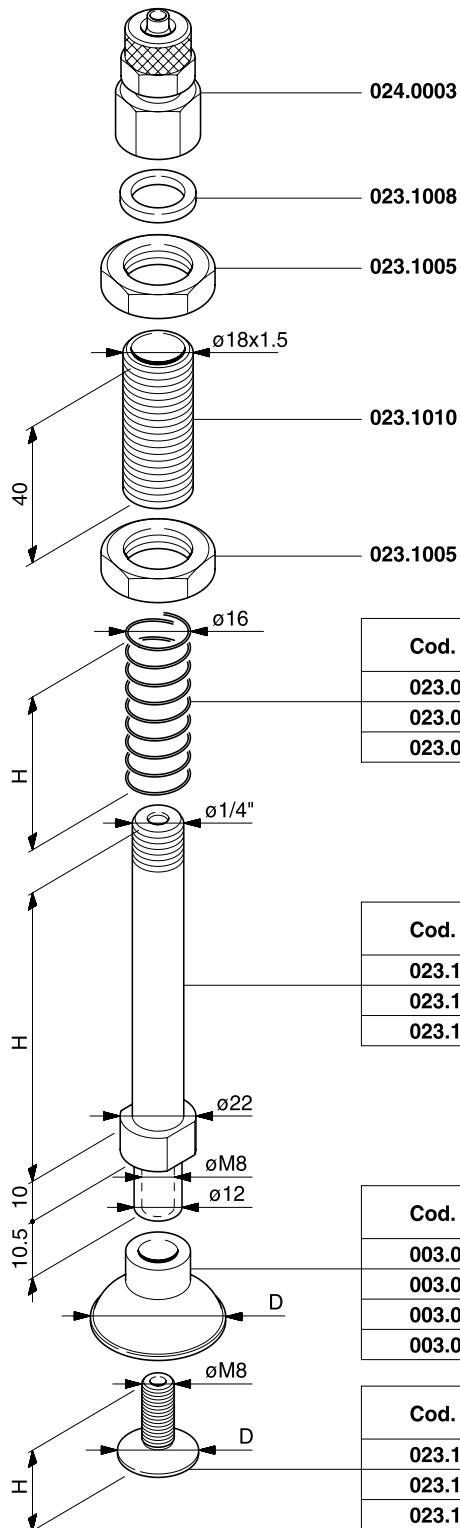
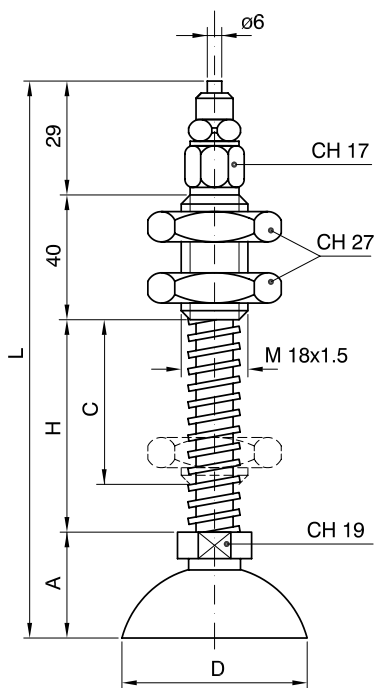


“STANDARD” SUCKER-HOLDER
SAUGERTRAGER “STANDARD”

PORTE-VENTOUSE “STANDARD”
PORTAVENTOSAS “STANDART”



Cod.	D	A	C	H	L
018.0001	35	27	25	37	133
018.0002	35	27	55	77	173
018.0003	35	27	80	110	206
018.0004	45	28	25	37	134
018.0005	45	28	55	77	174
018.0006	45	28	80	110	207
018.0007	60/65	34	25	37	140
018.0008	60/65	34	55	77	180
018.0009	60/65	34	80	110	213



Cod.	H	C
023.0487	38	25
023.0488	80	55
023.0489	110	80

Cod.	H	C
023.1030	89	25
023.1031	130	55
023.1032	162	80

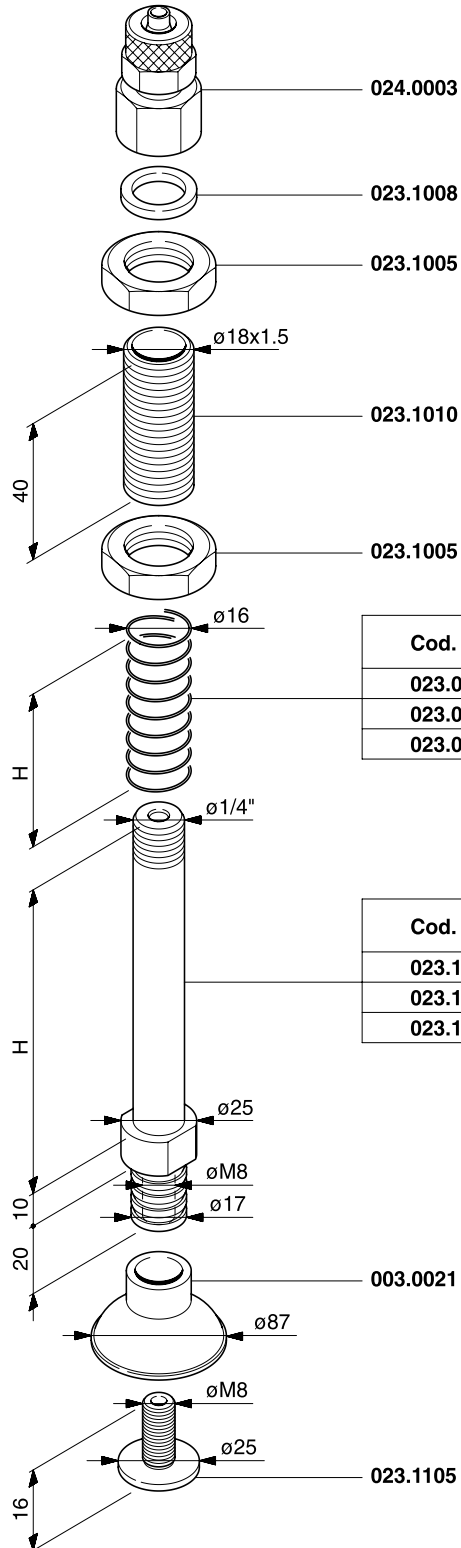
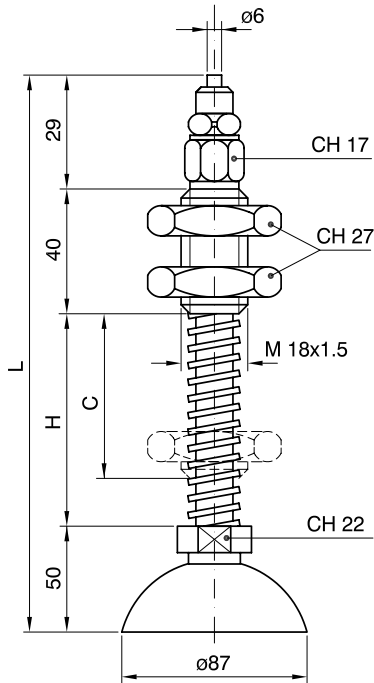
Cod.	D
003.0018	35
003.0019	45
003.0045	60
003.0020	65

Cod.	D	H
023.1103	15	15
023.1104	18	15
023.1105	25	16

“STANDARD” SUCKER-HOLDER
SAUGERTRAGER “STANDARD”

PORTE-VENTOUSE “STANDARD”
PORTAVENTOSAS “STANDART”

Cod.	C	H	L
018.0010	25	37	156
018.0011	55	77	196
018.0012	80	110	229



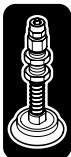
Cod.	H	C
023.0487	38	25
023.0488	80	55
023.0489	110	80

Cod.	H	C
023.1033	89	25
023.1034	130	55
023.1035	162	80

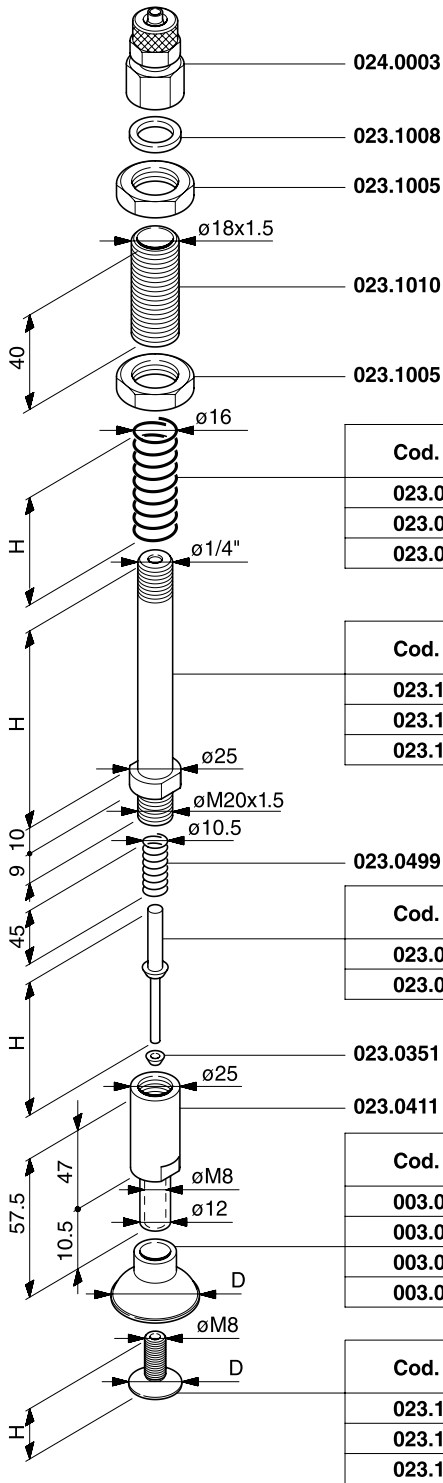
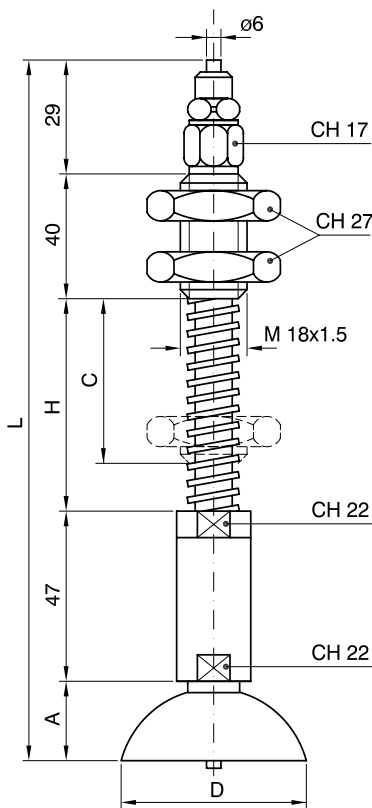


“STANDARD” SUCKER-HOLDER WITH FEELER
SAUGERTRAGER “STANDARD” MIT TASTVENTIL

PORTE-VENTOUSE “STANDARD” AVEC PALPEUR
PORTAVENTOSAS “STANDART” CON PALPADOR



Cod.	D	A	C	H	L
019.0001	35	17	25	37	170
019.0002	35	17	55	77	210
019.0003	35	17	80	110	243
019.0004	45	18	25	37	171
019.0005	45	18	55	77	211
019.0006	45	18	80	110	244
019.0007	60/65	24	25	37	177
019.0008	60/65	24	55	77	217
019.0009	60/65	24	80	110	250



Cod.	H	C
023.0487	38	25
023.0488	80	55
023.0489	110	80

Cod.	H	C
023.1039	89	25
023.1040	130	55
023.1041	162	80

Cod.	D	H
023.0450	35-45	50
023.0451	65	55

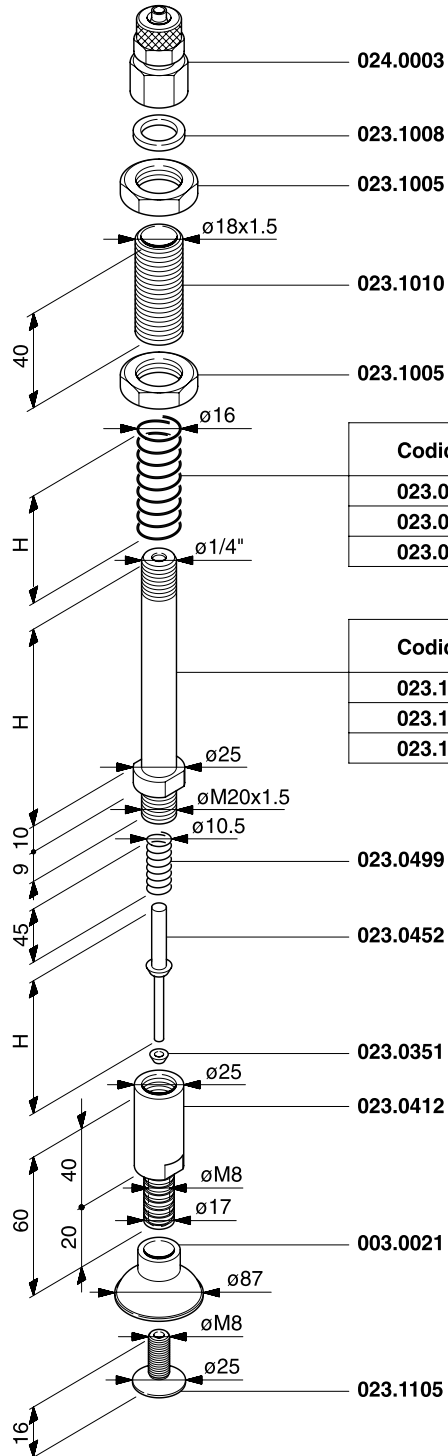
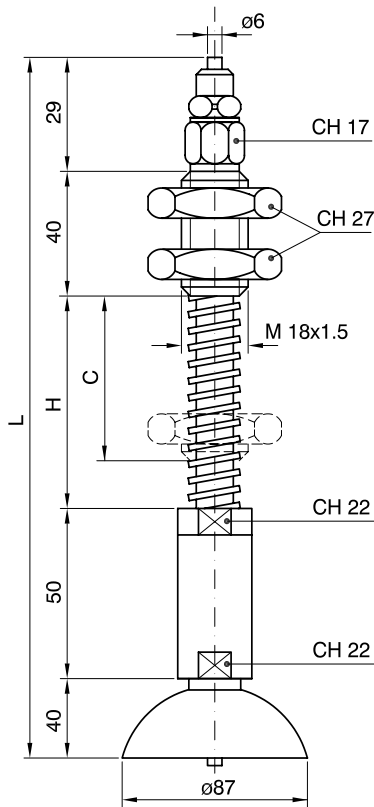
Cod.	D
003.0018	35
003.0019	45
003.0045	60
003.0020	65

Cod.	D	H
023.1103	15	15
023.1104	18	15
023.1105	25	16

**“STANDARD” SUCKER-HOLDER WITH FEELER
SAUGERTRAGER “STANDARD” MIT TASTVENTIL**

**PORTE-VENTOUSE “STANDARD” AVEC PALPEUR
PORTAVENTOSAS “STANDART” CON PALPADOR**

Cod.	C	H	L
019.0010	25	37	193
019.0011	55	77	233
019.0012	80	110	266



Codice	H	C
023.0487	38	25
023.0488	80	55
023.0489	110	80

Codice	H	C
023.1039	89	25
023.1040	130	55
023.1041	162	80

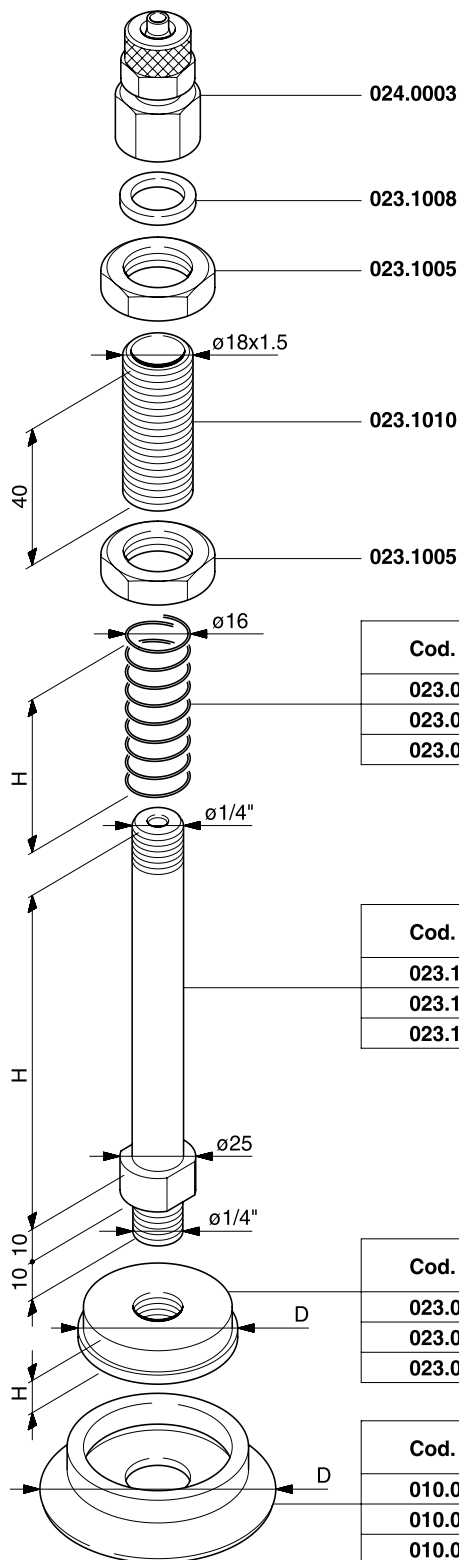
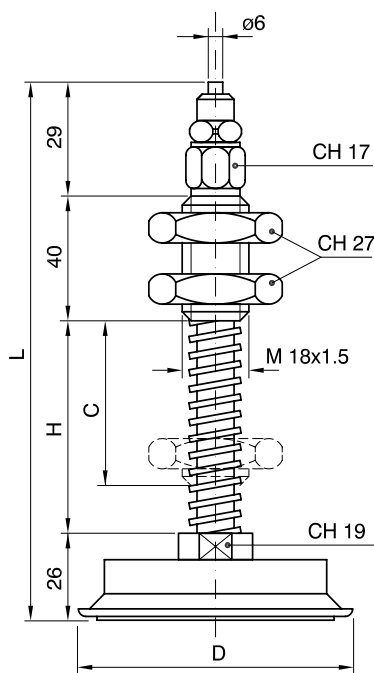


“STANDARD” SUCKER-HOLDER
SAUGERTRAGER “STANDARD”

PORTE-VENTOUSE “STANDARD”
PORTAVENTOSAS “STANDART”



Cod.	D	C	H	L
018.0019	65	25	37	132
018.0020	65	55	77	172
018.0021	65	80	110	205
018.0019	90	25	37	132
018.0020	90	55	77	172
018.0021	90	80	110	205
018.0019	120	25	37	132
018.0020	120	55	77	172
018.0021	120	80	110	205



Cod.	H	C
023.0487	38	25
023.0488	80	55
023.0489	110	80

Cod.	H	C
023.1036	89	25
023.1037	130	55
023.1038	162	80

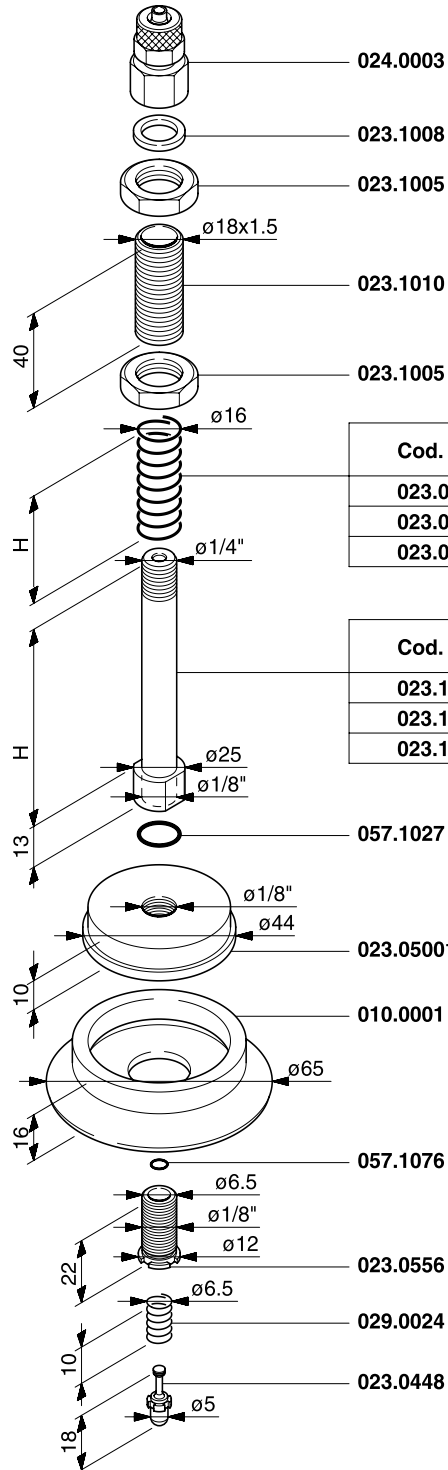
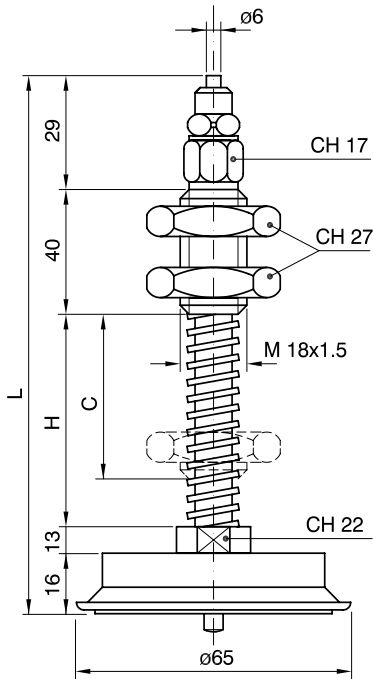
Cod.	H	D
023.05002	10	44
023.05012	11	63
023.05023	11	92

Cod.	D
010.0001	65
010.0002	90
010.0003	120

**“STANDARD” SUCKER-HOLDER WITH FEELER
SAUGERTRAGER “STANDARD” MIT TASTVENTIL**

**PORTE-VENTOUSE “STANDARD” AVEC PALPEUR
PORTAVENTOSAS “STANDART” CON PALPADOR**

Cod.	C	H	L
019.0013	25	37	135
019.0014	55	77	175
019.0015	80	110	208



Cod.	H	C
023.0487	38	25
023.0488	80	55
023.0489	110	80

Cod.	H	C
023.1042	89	25
023.1043	130	55
023.1044	162	80

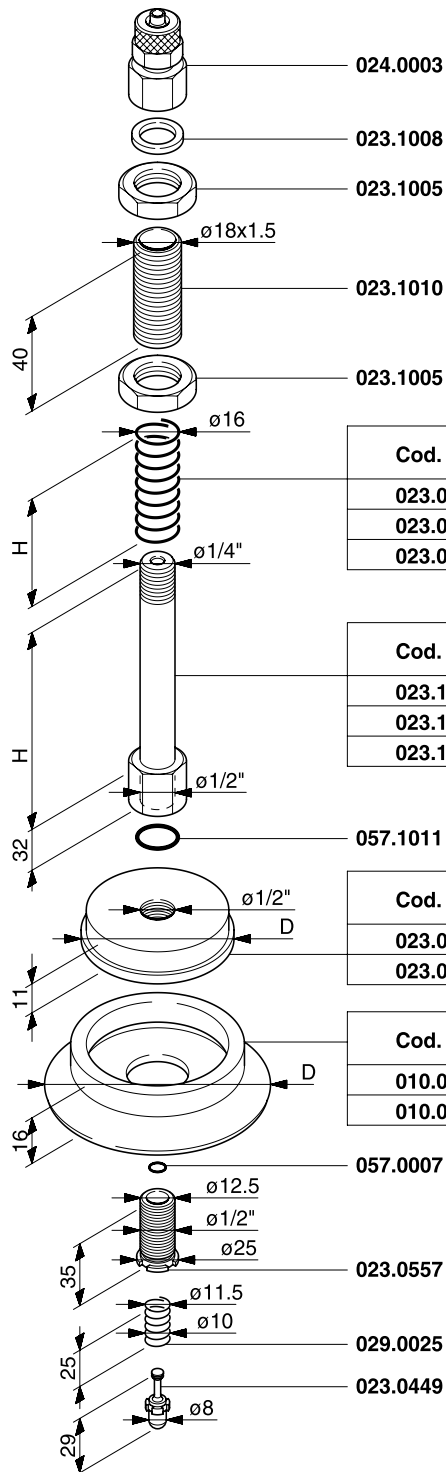
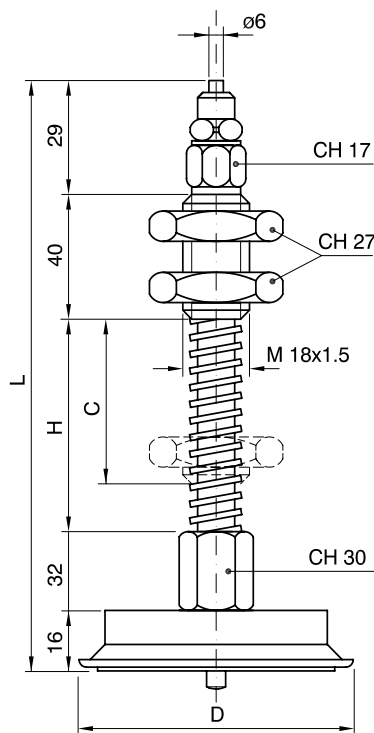


**“STANDARD” SUCKER-HOLDER WITH FEELER
SAUGERTRAGER “STANDARD” MIT TASTVENTIL**

**PORTE-VENTOUSE “STANDARD” AVEC PALPEUR
PORTAVENTOSAS “STANDART” CON PALPADOR**



Cod.	D	C	H	L
019.0016	90	25	37	164
019.0017	90	55	77	204
019.0018	90	80	110	237
019.0019	120	25	37	164
019.0020	120	55	77	204
019.0021	120	80	110	237



Cod.	H	C
023.0487	38	25
023.0488	80	55
023.0489	110	80

Cod.	H	C
023.1045	89	25
023.1046	130	55
023.1047	162	80

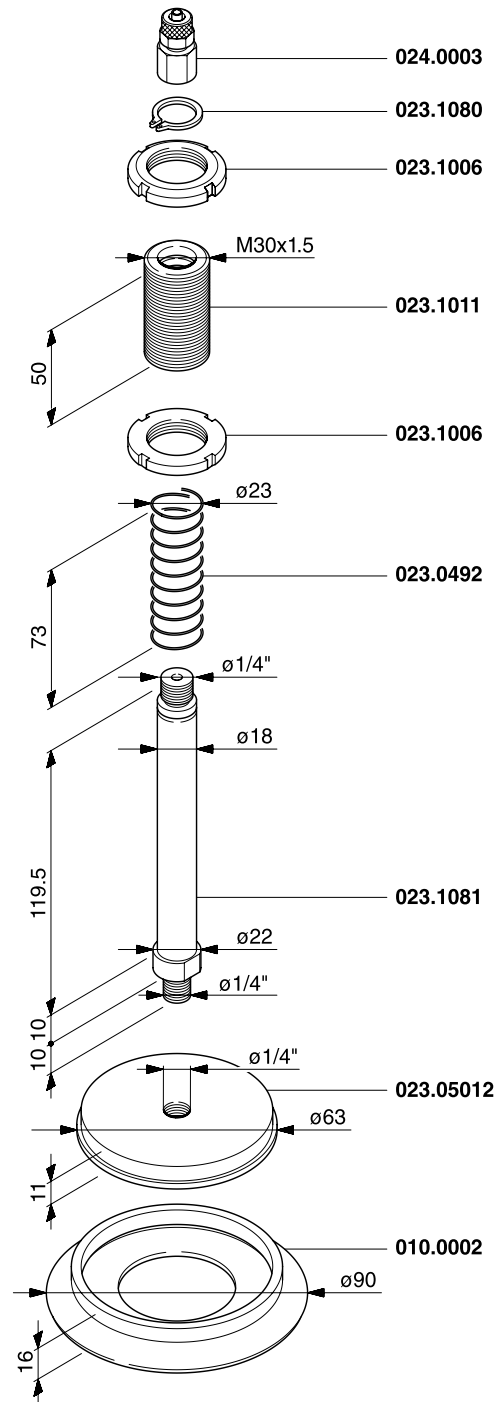
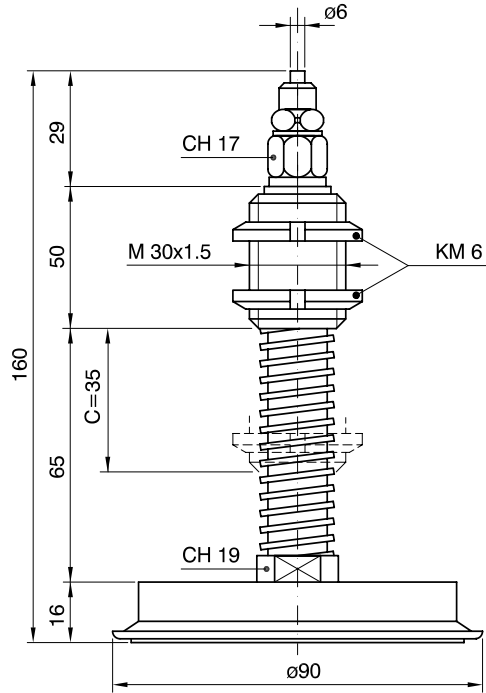
Cod.	D
023.05011	63
023.05021	92

Cod.	D
010.0002	90
010.0003	120

"MAGNUM" SUCKER-HOLDER
SAUGERTRAGER "MAGNUM"

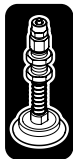
PORTE-VENTOUSE "MAGNUM"
PORTAVENTOSAS "MAGNUM"

Cod. 021.0001

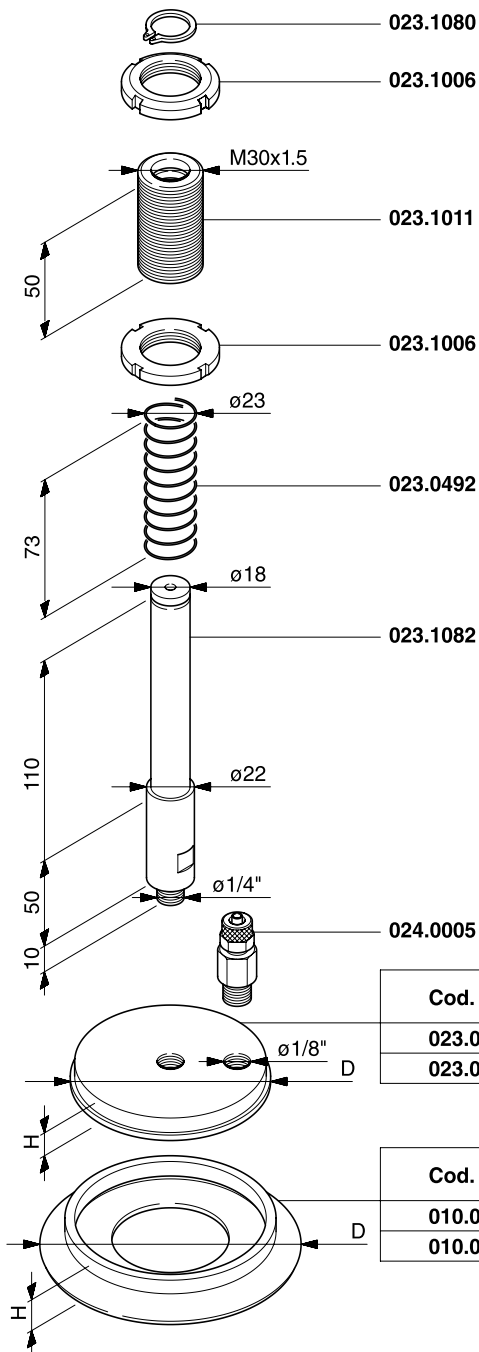
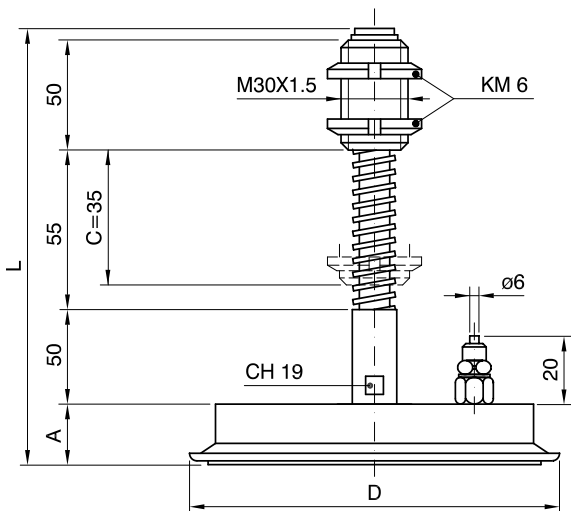


“MAGNUM” SUCKER-HOLDER
SAUGERTRAGER “MAGNUM”

PORTE-VENTOUSE “MAGNUM”
PORTAVENTOSAS “MAGNUM”



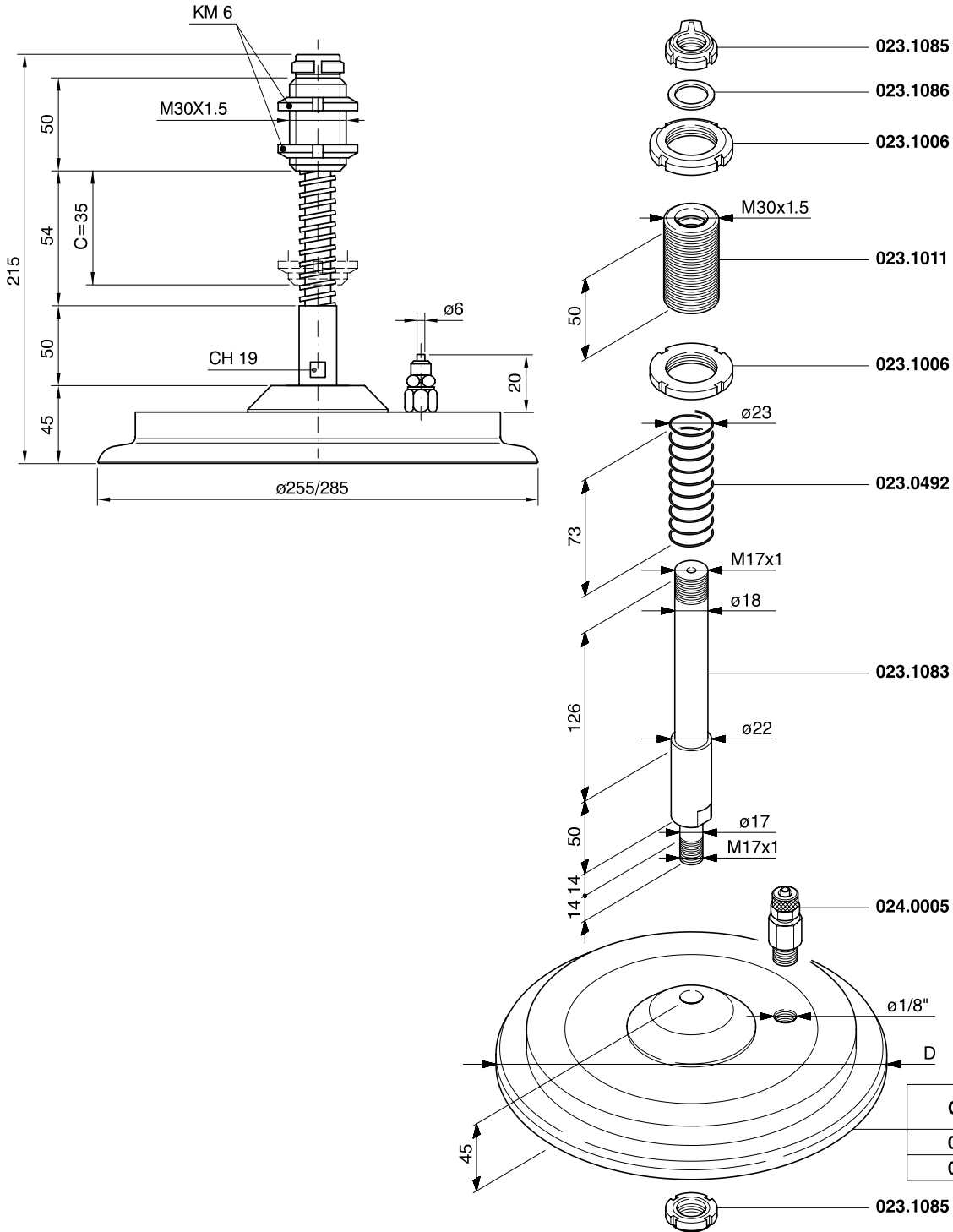
Cod.	D	A	L
021.0002	120	16	176
	160	23	183



Cod.	D	H
023.05022	92	11
023.05032	127	15

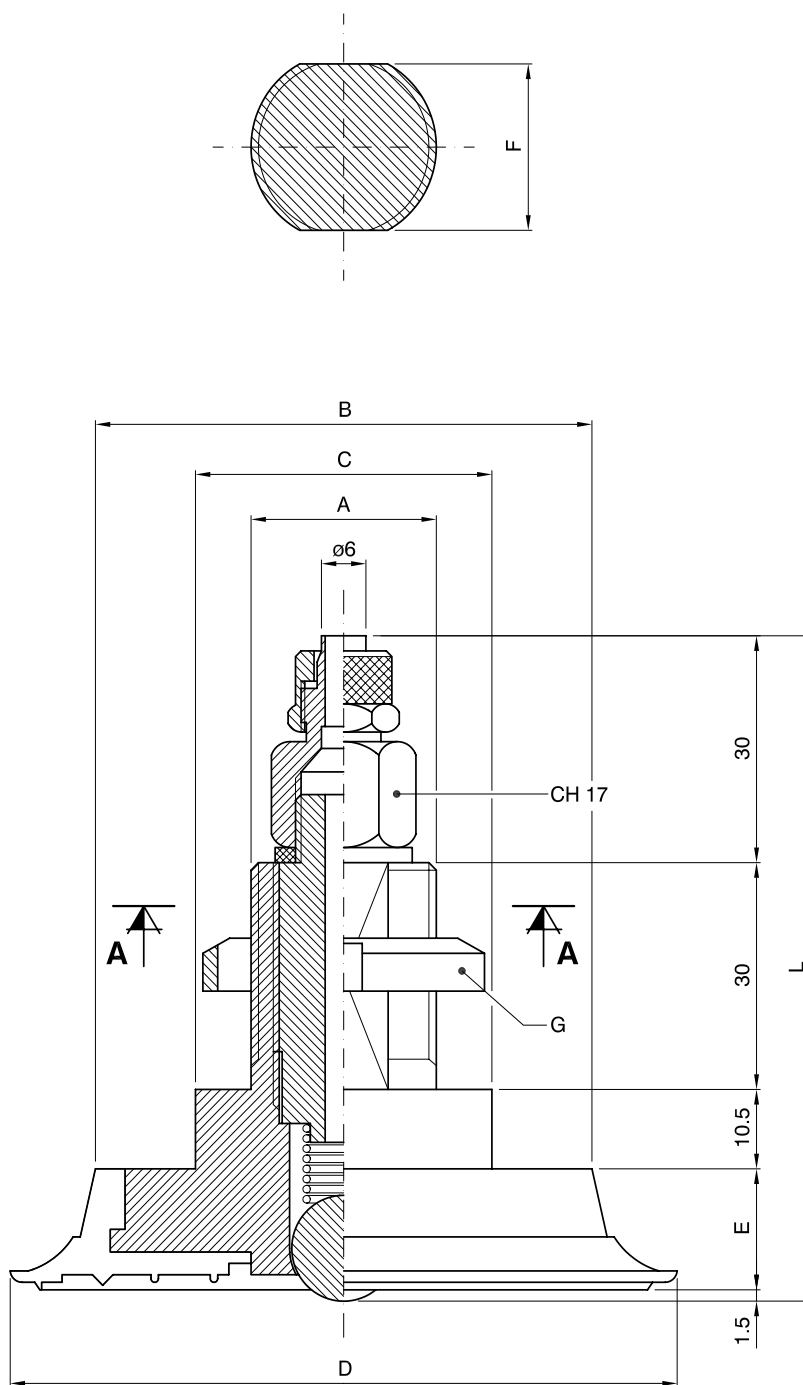
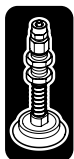
Cod.	D	H
010.0003	120	16
010.0004	160	23

Cod. 021.0003



SUCKER-HOLDER WITH FEELER
SAUGERTRAGER MIT TASTVENTIL

PORTE-VENTOUSE AVEC PALPEUR
PORTAVENTOSAS CON PALPADOR



Cod.	A	B	C	D	E	F	L	G
018.1001	25x1.5	50	40	65	16	22	89	KM 5
018.1002	25x1.5	67	40	90	16	22	89	KM 5
018.1003	25x1.5	97	40	120	16	22	89	KM 5
018.1004	35x1.5	135	80	160	23	32	93	KM 7

BRUSHES



LABEL PRINT AND OTHER MACHINE BRUSHES

Below, the most common types of brushes for machines are listed. These are usually available from stock.



90 x 40 mm with and without locking

91131/...A	PA 0,40 / x height with locking
91132/...A	PA 0,50 / x height with locking
91134/...A	PA 0,60 / x height with locking
91135/...A	PA 0,70 / x height with locking
91136/...A	PA 0,80 / x height with locking

Order-example:

Brush 90 x 40 mm, with locking PA 0,60 and 70 mm cutting height
= Item no 91134/70A

All brushes 90 x 40 mm are also available with less than 4 rows of bristles, the item no. is as follows:

Order-example:

Brush 90 x 40 mm, with locking PA 0,60 and 70 mm cutting height
3 rows of bristles = Item no. 91134/70A/3

All brushes with locking are provided with V2A-nuts.

Brushes without locking are available in the standard version without a nut. Upon request, the V2A-nut can be attached.

50 x 30 mm with 2 holes

91312/...	PA 0,30 black / x height
91314/...	PA 0,40 black / x height
91316/...	PA 0,50 white / x height
91317/...	PA 0,60 white / x height
91318/...	PA 0,70 white / x height

50 x 40 mm with 2 holes

91302/...	PA 0,30 black / x height
91304/...	PA 0,40 black / x height
91306/...	PA 0,50 white / x height
91307/...	PA 0,60 white / x height
91308/...	PA 0,70 white / x height

91000	expanding rivets
-------	------------------

Order-example:

Brush 50 x 30 mm, PA0,40 and 50 mm cutting height = item no. 91314/50



TINFOIL SMOOTHING BRUSH

91002/...	18 mm wide / x length
91003/...	20 mm wide / x length
91004/...	23 mm wide / x length
91005/...	25 mm wide / x length
91007/...	30 mm wide / x length
91011/...	40 mm wide / x length
91013/...	50 mm wide / x length
91014/...	55 mm wide / x length
91015/...	60 mm wide / x length

Order-example:

Tinfoil smoothing brush, 30 mm wide, 175 mm long = Item no. 91007/175

Standard is PA-slotted white, with 35 mm cutting height.

Possible delivery length up to 1000 mm, special designs on request.

STRIP BRUSH

91200/...	PA 0,50 x 40 mm, height x length
91201/...	PA 0,50 x 45 mm, height x length
91202/...	PA 0,50 x 50 mm, height x length
91203/...	PA 0,50 x 55 mm, height x length
91204/...	PA 0,50 x 60 mm, height x length
91205/...	PA 0,50 x 70 mm, height x length
91206/...	PA 0,50 x 80 mm, height x length
91210/...	PA 0,60 x 40 mm, height x length
91211/...	PA 0,60 x 45 mm, height x length
91212/...	PA 0,60 x 50 mm, height x length
91213/...	PA 0,60 x 55 mm, height x length
91214/...	PA 0,60 x 60 mm, height x length
91215/...	PA 0,60 x 70 mm, height x length
91216/...	PA 0,60 x 80 mm, height x length

91222/...	PA 0,70 x 50 mm, height x length
91223/...	PA 0,70 x 55 mm, height x length
91224/...	PA 0,70 x 60 mm, height x length
91225/...	PA 0,70 x 70 mm, height x length
91226/...	PA 0,70 x 80 mm, height x length
91227/...	PA 0,70 x 90 mm, height x length

91232/...	PA 0,80 x 50 mm, height x length
91233/...	PA 0,80 x 55 mm, height x length
91234/...	PA 0,80 x 60 mm, height x length
91235/...	PA 0,80 x 70 mm, height x length
91236/...	PA 0,80 x 80 mm, height x length
91237/...	PA 0,80 x 90 mm, height x length
91238/...	PA 0,80 x 100 mm, height x length

Order-example:

Strip brush PA 0.70 x 70 mm cutting height, 100 mm long = Item no. 91225/100

Standard length is 1000 mm. This is supplied if length is not specified. Other length, different materials and sizes on request.

SBUNDE

91150	screw bundle, 50 mm cutting height
-------	------------------------------------

LBE BRUSH

Threads

91300	former "Jagenberg"
91301	Eti-Tec

LBE FORM ROLL

Depending on the machine type 2-piece roller brushes or individual strip brushes are used here. Before the start of production either old patterns or exact dimensions are needed.



CUSTOM-DESIGNS

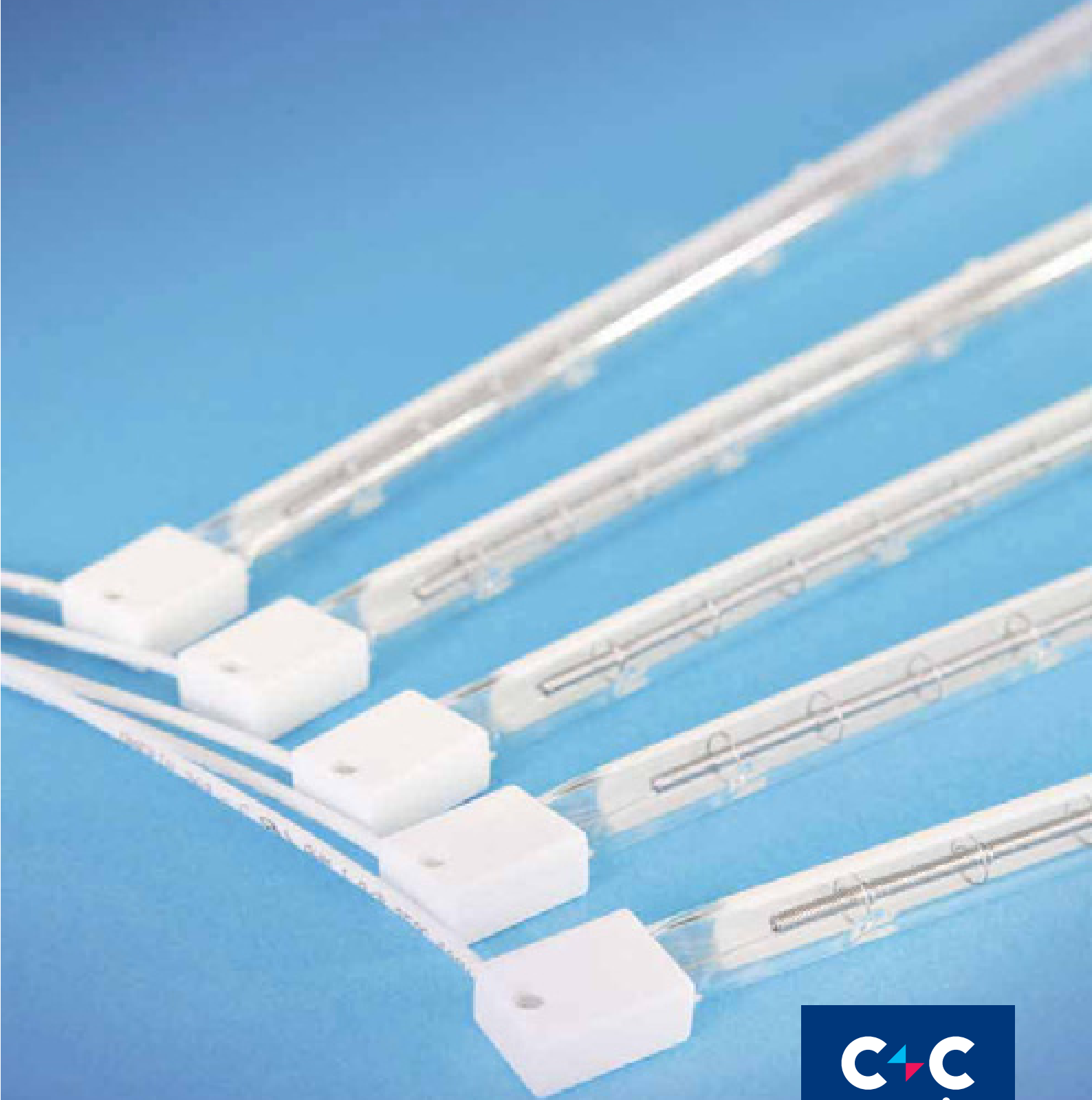


We already manufacture a variety of brush types for different types of machines.

For initial orders it is always necessary to provide old patterns, drawings or exact measurements/data.



PET IR LAMPS



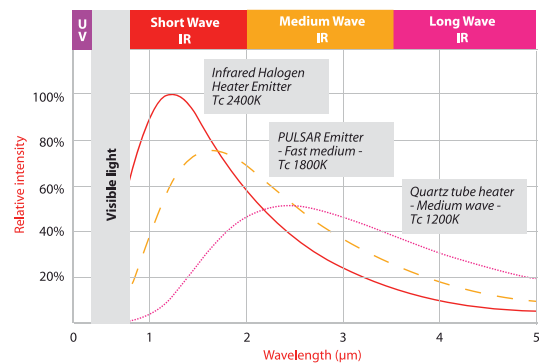
Infrared Halogen Heater Emitters



TOSHIBA infrared halogen heater emitters are powerful heat sources comprising a finely coiled tungsten filament surrounded by high-purity tubular quartz glass and a kind of halogen gas-filled emitter. Halogen cycle ensures constant infrared efficiency all the lifetime with preventing the quartz glass tube from blackening. TOSHIBA infrared halogen heater emitters match numerous kinds of industrial process with benefits of instant & contact-less heat, clean, odorless, compact, high-power, and long-life.

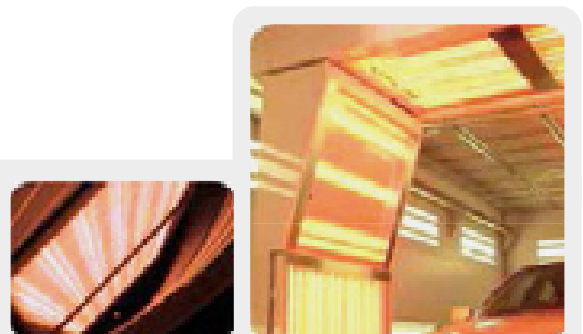
Benefits and features

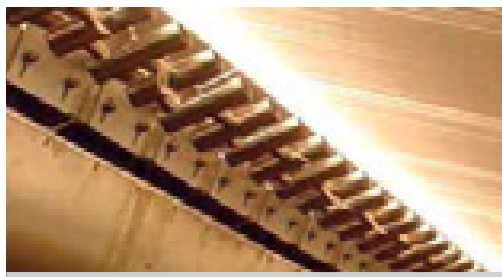
- > **Long life** : 5000h on average.
- > **High speed** : within a second to switch on.
- > **High efficiency** : more than 85% heat efficiency of full power
- > **High power density** : up to 110 W / cm
- > **High controllability** : neither ballast nor special circuits are necessary for basic usage.
- > **No air draughts** : because of radiation (like solar energy)
- > **Clean and odorless** : no risk of contamination over environment or target object to be heated.
- > **Extensive assortment** : many types of voltage, wattage, length, base, cables, universal burning position is available.
- > **Flexible** : special emitter designing service on demand is available.



- > Paint drying
- > Pre-heating of PET perform
- > Silicon wafer manufacturing process in Semiconductor
- > Drying process in paper mill
- > Plastics thermoforming
- > Fusing printing ink
- > And various kind of drying processes

Application Area





Infrared Halogen Heater Emitters

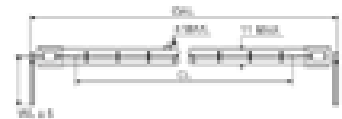
Type B/Bf



Type R7s



Type T



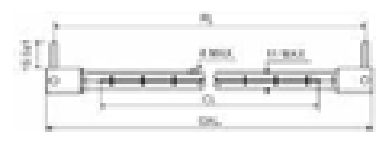
Type Jc



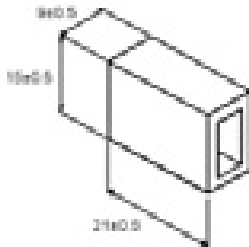
Type J



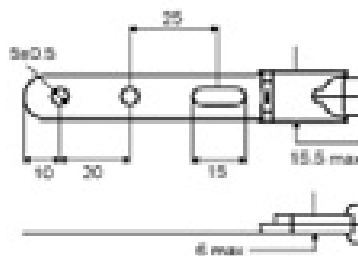
Type I



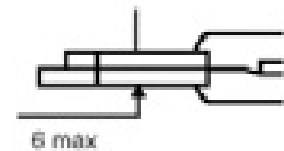
Base dimensions for Type B/Bf and I



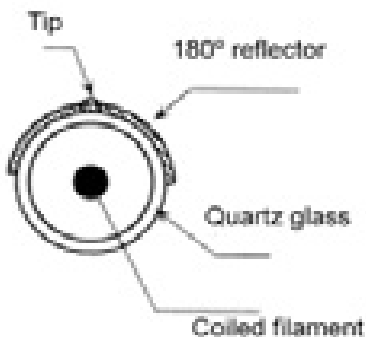
Metal clip dimension for Type J



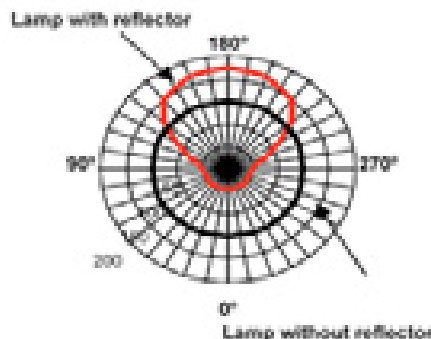
Thickness of Metal sleeve for Type Jc



Base dimensions for Type B/Bf and I



Metal clip dimension for Type J



New Wireless Solution



Part code	Watts (W)	Volts (V)	Base Type	Overall length OAL (mm)	Fixation length FL (mm)	Heating length CL (mm)	Wire Length WL (mm)	Terminal	Color temp.(K)	Tube	Burning position	Ave. Life	Ordering code
300 WATTS													
JHS 230V 300W 60 RsH1-P	300	220-240	Rs	(117,6)	114,2±1,6	60±5	-	-	2450	Clear	Horizontal	5000	5JHS001
JHS 230V 300W 60 IH1	300	220-240	I	(120)	112±1	60±5	-	-	2450	Clear	Horizontal	5000	4JHS039
JHC 240V 300W 165 BfH	300	230-240	Bf	226 ± 2	-	165±5	220±10	Fork	2400	Reflector	Horizontal	5000	4JHC187
500 WATTS													
JHS 235V 500W 165 BfH	500	230-240	Bf	226 ± 2	-	165±5	220±10	Fork	2500	Clear	Horizontal	5000	4JHS229
JHC 235V 500W 165 BfH1	500	230-240	Bf	226 ± 2	-	165±5	200±10	Fork	2500	Reflector	Horizontal	5000	4JHC072
700 WATTS													
JHS 240V 700W 150 BfH1	700	230-240	Bf	210 ± 2	-	150±5	230±10	Splice	2620	Clear	Horizontal	5000	4JHS045
JHC 240V 700W 150 BfH1	700	230-240	Bf	210 ± 2	-	150±5	230±10	Splice	2620	Reflector	Horizontal	5000	4JHC150
1000 WATTS													
JHC 235V 1000W 272 BfH	1000	230-240	Bf	352 ± 2	-	272±5	220±10	Fork	2400	Reflector	Horizontal	5000	4JHC068
JHC 235V 1000W 272 BfU	1000	230-240	Bf	352 ± 2	-	272±5	200±10	Fork	2400	Reflector	Universal	5000	4JHC050
JHS 235V 1000W 272 JU	1000	230-240	J	-	370±10	272±5	-	-	2400	Clear	Universal	5000	4JHS056
JHC 235V 1000W 272 JH	1000	230-240	J	-	370±10	272±5	-	-	2400	Reflector	Horizontal	5000	4JHC008
JHC 235V 1000W 272 IH	1000	230-240	I	(354)	346±1	272±5	-	-	2650	Reflector	Horizontal	5000	4JHC048
JHC 400V 1000W 272 IU	1000	400	I	(354)	346±1	272±5	-	-	2550	Reflector	Universal	5000	4JHC069
1200 WATTS													
JHC 144V 1200W 155 JcH	1200	144	Jc	219 ± 3	-	155±5	160±10	Fork	2700	Reflector	Horizontal	5000	4JHC073
JHC 144V 1200W 155 BfH	1200	144	Bf	225 ± 2	-	155±5	150±10	Fork	2700	Reflector	Horizontal	5000	4JHC045
JHC 235V 1200W 155 BfH1	1200	230-240	Bf	225 ± 2	-	155±5	150±10	Fork	2700	Reflector	Horizontal	5000	4JHC043
JHC 240V 1200W 406 BfH	1200	230-240	Bf	499 ± 2	-	406±5	230±10	Splice	2400	Reflector	Horizontal	5000	4JHC107
JHC 240V 1200W 406 BfU	1200	230-240	Bf	499 ± 2	-	406±5	230±10	Splice	2400	Reflector	Universal	5000	4JHC111
1500 WATTS													
JHS 235V 1500W 280 BfH1	1500	230-240	Bf	352 ± 2	-	280±5	300±10	Splice	2400	Clear	Horizontal	5000	4JHS173
JHC 235V 1500W 280 BfH	1500	230-240	Bf	350 ± 1,2	-	280±5	230±10	Faston	2400	Reflector	Horizontal	5000	4JHC081
JHS 235V 1500W 385 RsH	1500	230-240	Rs	(446)	444±1,5	385±5	-	-	2400	Clear	Horizontal	5000	4JHS237
1600 WATTS													
JHC 144V 1600W 155 JcH	1600	230-240	Jc	219 ± 3	-	155±5	160±10	Fork	2700	Reflector	Horizontal	5000	4JHC028
JHC 144V 1600W 155 BfH	1600	230-240	Bf	225 ± 2	-	155±5	150±10	Fork	2700	Reflector	Horizontal	5000	4JHC046
JHC 235V 1600W 155 BfH1	1600	144	Bf	225 ± 2	-	155±5	150±10	Fork	2700	Reflector	Horizontal	5000	4JHC053
JHC 240V 1600W 406 BfH1	1600	144	Bf	485 ± 2	-	406±5	200±10	Fork	2500	Reflector	Horizontal	5000	EM-805
2000 WATTS													
JHC 235V 2000W 280 BfH	2000	230-240	Bf	353 ± 2	-	280±5	230±10	Splice	2400	Reflector	Horizontal	5000	4JHC005
JHC 235V 2000W 280 BfH2	2000	230-240	Bf	353 ± 2	-	280±5	210±10	Fork	2400	Reflector	Horizontal	5000	4JHC254
JHC 235V 2000W 280 BfU	2000	230-240	Bf	352 ± 2	-	280±5	200±10	Fork	2400	Reflector	Universal	5000	4JHC051
JHC 235V 2000W 280 BfU4	2000	230-240	Bf	353 ± 2	-	280±5	230±10	Splice	2400	Reflector	Universal	5000	4JHC104
JHS 235V 2000W 280 BfU1	2000	230-240	Bf	353 ± 2	-	280±5	230±10	Splice	2400	Clear	Universal	5000	4JHS141
JHS 235V 2000W 280 JU	2000	230-240	J	-	370±10	280±5	-	-	2400	Clear	Universal	5000	4JHS031
JHC 235V 2000W 280 JU	2000	230-240	J	-	370±10	280±5	-	-	2425	Reflector	Universal	5000	4JHC042
JHS 235V 2000W 280 TU3	2000	230-240	T	350 max.	-	280±5	120±5	Ring	2400	Clear	Universal	5000	4JHS061
JHS 400V 2000W 280 BfU1	2000	400	Bf	354 ± 2	-	280±5	300±10	Splice	2350	Clear	Universal	5000	4JHS232
JHS 400V 2000W 280 JU	2000	400	J	-	370±10	280±5	-	-	2400	Clear	Universal	5000	EM-65
JHC 400V 2000W 280 IU	2000	400	I	(354)	346±1	280±5	-	-	2700	Reflector	Universal	5000	4JHC123
JHC 235V 2000W 410 JH	2000	230-240	J	-	508±10	410±5	-	-	2400	Reflector	Horizontal	5000	4JHC247
JHS 235V 2000W 410 JH	2000	230-240	J	-	508±10	410±5	-	-	2400	Clear	Horizontal	5000	4JHS085
JHC 400V 2000W 410 BfU	2000	400	Bf	490 ± 2	-	410±5	230±10	Splice	2400	Reflector	Universal	5000	4JHC061
JHC 400V 2000W 410 JU	2000	400	J	-	508±10	410±5	-	-	2400	Reflector	Universal	5000	4JHC218
JHC 400V 2000W 410 JH	2000	400	J	-	508±10	410±5	-	-	2400	Reflector	Horizontal	5000	4JHC071
JHS 400V 2000W 410 JU	2000	400	J	-	508±10	410±5	-	-	2400	Clear	Universal	5000	4JHS032
JHC 230V 2000W 500 BfH	2000	230-240	Bf	650 ± 2	-	500±5	500±10	Splice	2400	Reflector	Horizontal	5000	4JHC041
JHC 235V 2000W 700 BfH	2000	230-240	Bf	787 ± 2	-	500±5	500±10	Splice	2240	Reflector	Horizontal	5000	4JHC189

Part code	Watts (W)	Volts (V)	Base Type	Overall length OAL (mm)	Fixation length FL (mm)	Heating length CL (mm)	Wire Length WL (mm)	Terminal	Color temp.(K)	Tube	Burning position	Ave. Life	Ordering code
2200 WATTS													
JHS 235V 2200W 280 BFU1	2200	230-240	Bf	350±2	-	280±5	150±5	Splice	2450	Clear	Universal	5000	4JHS037
JHS 235V 2200W 280 TU2	2200	230-240	T	345±1,5	-	280±5	145±5	Ring	2300	Clear	Universal	5000	4JHS234
2500 WATTS													
JHC 235V 2500W 280 BFH3	2500	230-240	Bf	353±2	-	280 ± 5	210±10	Fork	2700	Reflector	Horizontal	5000	4JHC027
JHC 235V 2500W 280 BFU	2500	230-240	Bf	352±2	-	280 ± 5	200±10	Fork	2700	Reflector	Universal	5000	4JHC259
JHC 400V 2500W 280 BH	2500	400	B	355±2	-	280 ± 5	210±10	Fork	2700	Reflector	Horizontal	5000	5JHC039
JHC 400V 2500W 315 BH	2500	400	B	378±2	-	315 ± 5	230±10	Splice	2500	Reflector	Horizontal	5000	5JHC001
JHS 480V 2500W 635 JcH	2500	400	Jc	723±3	-	635 ± 5	150±10	Splice	2500	Clear	Horizontal	5000	EM-818
3000 WATTS													
JHC 235V 3000W 280 BFU	3000	230 - 240	Bf	352±2	-	280±5	210±10	Fork	2700	Reflector	Universal	5000	EM-522
*JHS 235V 3000W 280 JU	3000	230 - 240	J	-	370±10	280±5	-	-	2200	Clear	Universal	5000	4JHS060
JHC 235V 3000W 280 JU	3000	230 - 240	J	-	370±10	280±5	-	-	2500	Reflector	Universal	5000	4JHC194
*JHS 235V 3000W 280 TU1	3000	230 - 240	T	350 max.	-	280±5	120±5	Splice	2200	Clear	Universal	5000	4JHS042
JHC 400V 3000W 280 BH	3000	400	B	355±2	-	280±5	210±10	Fork	2700	Reflector	Horizontal	5000	4JHC040
JHS 400V 3000W 280 IU	3000	400	I	(354)	346 ± 1	280±5	-	-	2600	Clear	Universal	5000	EM-1055
JHC 400V 3000W 280 IU	3000	400	I	(354)	346 ± 1	280±5	-	-	2600	Reflector	Universal	5000	4JHC165
JHS 400V 3000W 280 JU	3000	400	J	-	370 ± 10	280±5	-	-	2600	Clear	Universal	5000	4JHS053
JHS 400V 3000W 280 TU1	3000	400	T	350 max.	-	280±5	120±10	Ring	2550	Clear	Universal	5000	4JHS059
JHC 400V 3000W 315 BH	3000	400	B	378±2	-	315±5	230±5	Splice	2550	Reflector	Horizontal	5000	5JHC002
JHS 400V 3000W 410 JU	3000	400	J	-	508 ± 10	410±5	-	-	2400	Clear	Universal	5000	4JHS072
JHC 235V 3000W 700 BFH2	3000	230 - 240	Bf	787,5±2	-	700±5	500±10	Splice	2300	Reflector	Horizontal	5000	4JHC038
JHC 400V 3000W 700 BFH1	3000	400	Bf	784±2	-	700±5	200±10	Fork	2350	Reflector	Horizontal	5000	4JHC142
JHS 400V 3000W 700 IU	3000	400	I	(779)	771 ± 1	700±5	-	-	2400	Clear	Universal	5000	4JHS142
JHC 400V 3000W 700 IU	3000	400	I	(779)	771 ± 1	700±5	-	-	2350	Reflector	Universal	5000	4JHC149
JHS 400V 3000W 700 JU	3000	400	J	-	798 ± 10	700±5	-	-	2400	Clear	Universal	5000	4JHS049
JHC 400V 3000W 700 JU	3000	400	J	-	798 ± 10	700±5	-	-	2400	Reflector	Universal	5000	4JHC085
4000 WATTS													
JHC 400V 4000W 700 IU	4000	400	I	(782)	774 ± 1	700±5	-	-	2425	Reflector	Universal	5000	EM-1158
JHC 400V 4000W 700 BFH	4000	400	Bf	787,5±2	-	700±5	150±10	Ring	2400	Reflector	Horizontal	5000	RZ-197
4600 WATTS													
JHS 400V 4600W 236 THJHS 480V	4600	400	T	303 max.	-	236±5	155±5	Splice	3000	Clear	Horizontal	1000	4JHS075
4600W 236 TH	4600	480	T	290 max.	-	236±5	155±5	Splice	3000	Clear	Horizontal	1000	4JHS079
6000 WATTS													
JHS 480V 6000W 245 TH	6000	480	T	298 max.	-	245±5	41±3	Ring	3050	Clear	Horizontal	1000	4JHS220
JHS 480V 6000W 290 TH1	6000	480	T	350 max.	-	290±5	35±5	Ring	3025	Clear	Horizontal	1000	4JHS226
JHC 400V 6000W 1000 BFH1	6000	480	Bf	1125±2	-	1000±5	500±10	Stripped	2700	Reflector	Horizontal	1000	4JHC168

*Tube diameter is 13mm max

Brand	Power	Technical File	Reference	old code	new code	Alternative Ref.
SIDEL	1700W	EM 1291	JHW230V 1700W 285 BfH	2JHW017	4JHW017	energy saving
	2000 W	EM-179	JHC 235V 2000W 280 BH2	2JHC014	5JHC007	13213Z/98
	2500 W	EM-180	JHC 400V 2500W 315 BH	2JHC036	5JHC001	14106Z/98
	3000 W	EM-181	JHC 400V 3000W 315 BH	2JHC037	5JHC002	14111Z/98
SIDEL ECO lamp	2500W	IR-140065	JHS 400V 2500W 315 BEH			14202VK
	3000W	IR-140066	JHS 400V 3000W 315 BEH			14203VK
KRONES	2500 W	EM-341	JHC 400V 2500W 280 BH	2JHC096	5JHC039	14143Z/98
	3000 W	EM-344	JHC 400V 3000W 280 BH	2JHC097	5JHC040	14144Z/98
SIG (KRUPP)	1200 W	EM-354	JHC 235V 1200W 155 BfH1	2JHC067	4JHC043	14134Z/98
	1200 W	EM-343	JHC 144V 1200W 155 BfH	2JHC034	4JHC045	13561Z/98
	1200 W	RZ-212	JHC 144V 1200W 155 JcH	2JHC068	4JHC073	13561Y/98
	1600 W	EM-355	JHC 235V 1600W 155 BfH1	2JHC066	4JHC053	14135Z/98
	1600 W	EM-337	JHC 144V 1600W 155 BfH	2JHC035	4JHC046	13568Z/98
	1600 W	RZ-213	JHC 144V 1600W 155 JcH	2JHC060	4JHC028	13568Y/98
	2000 W	EM-479	JHC 235V 2000W 280 BfH4	2JHC027	4JHC036	14136Z/98
	2500 W	RZ-267	JHC 235V 2500W 280 BfH3	2JHC095	4JHC027	14137Z/98
SIPA	2000 W	EM-318	JHC 235V 2000W 280 BfH	2JHC026	4JHC137	14103Z/98
	2000 W	RZ-200	JHC 230V 2000W 500 BfH	2JHC116	4JHC041	13214Z/98
	3000 W	EM-212	JHC 235V 3000W 280 BH	N/A	4JHC138	14121Z/98
	3000 W	RZ-201	JHC 235V 3000W 700 BfH2	2JHC087	4JHC038	14107Z/98
SMI	2500 W	EM-204	JHC 400V 2500W 500 NH	2JHC024	4JHC056	N/A
	3000 W	EM-237	JHC 400V 3000W 500 NH	2JHC025	4JHC057	N/A
ADS	1000 W	EM-330	JHC 235V 1000W 272 BfU1	2JHC021	4JHC035	N/A
	2000 W	EM-331	JHC 235V 2000W 280 BfU1	2JHC022	4JHC037	N/A
SIDE	1000 W	EM-533	JHC 235V 1000W 280 BfH	2JHC105		13195Z/98
	2000 W	EM-318	JHC 235V 2000W 280 BfH	2JHC026		13213Z/98
ASB NISSEI	1000 W	EM-824	JHC 220V 1000W 210 BfH	N/A		QIR 220/250-1000
	1500 W	EM-825	JHC 220V 1500W 350 BfH	N/A		QIR 220-1500
	2000 W	EM-826	JHC 220V 2000W 210 BfH	N/A		QIR 220/250-2000
other lamps	1000 W	EM-326	JHC 235V 1000W 272 BfH	2JHC105	4JHC068	13195Z/98
	1000 W	EM-302	JHC 235V 1000W 272 BfU	2JHC015	4JHC050	13713Z/98
	2000 W	EM-365	JHC 235V 2000W 280 BfH2	2JHC076	4JHC076	14103Z/98
	2000 W	EM-311	JHC 235V 2000W 280 BfU	2JHC016	4JHC051	13168Z/98



C+C servis, s.r.o.
Za Škardou 949
CZ- 370 06 Srubec
VAT: CZ26106159
Tel: 00420 387 203788
Fax: 00420 387 200190
Mobil: 00420 723 986720
e-mail: info@ccservis.eu
www.ccservis.eu